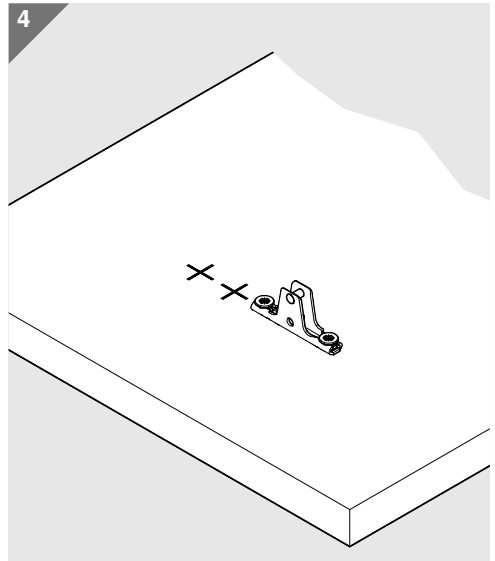
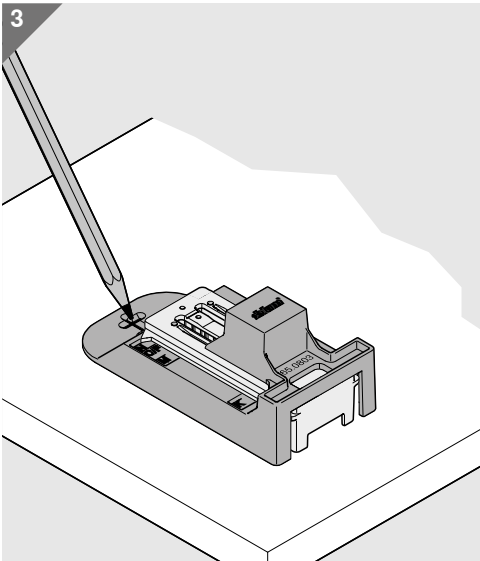
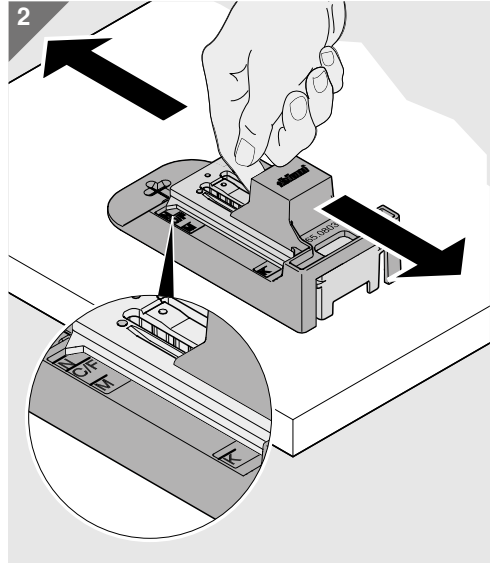
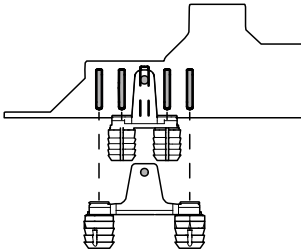
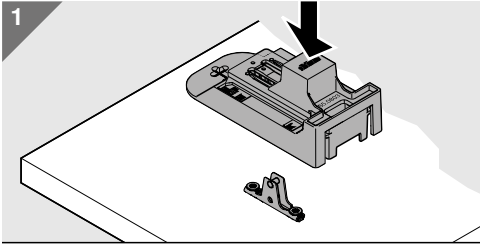


ML



BAU0064867814 · IDX: 01 · IDNR: 466.506.7 · BA-172/1ML · 09.20 · © Copyright by Blum