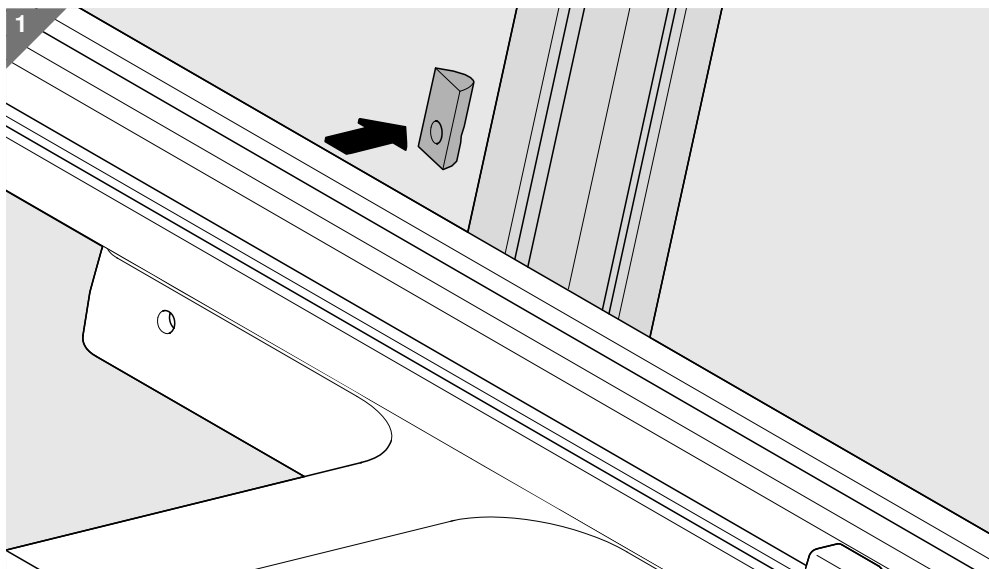
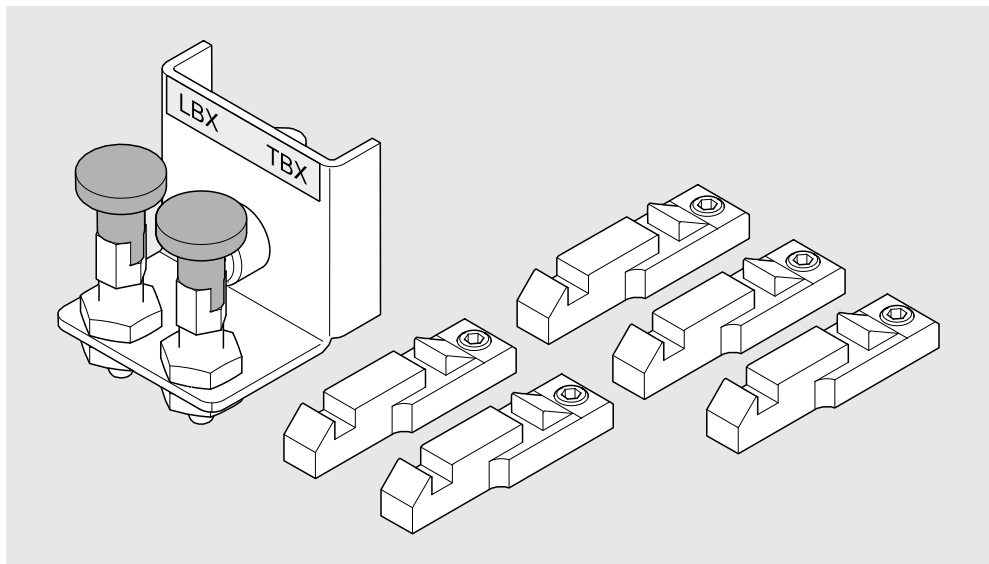
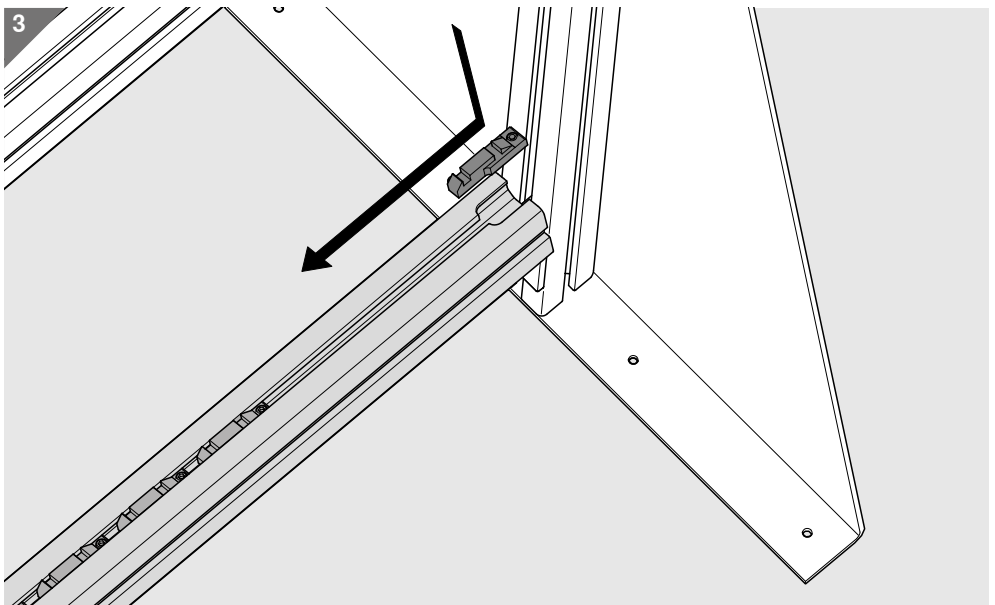
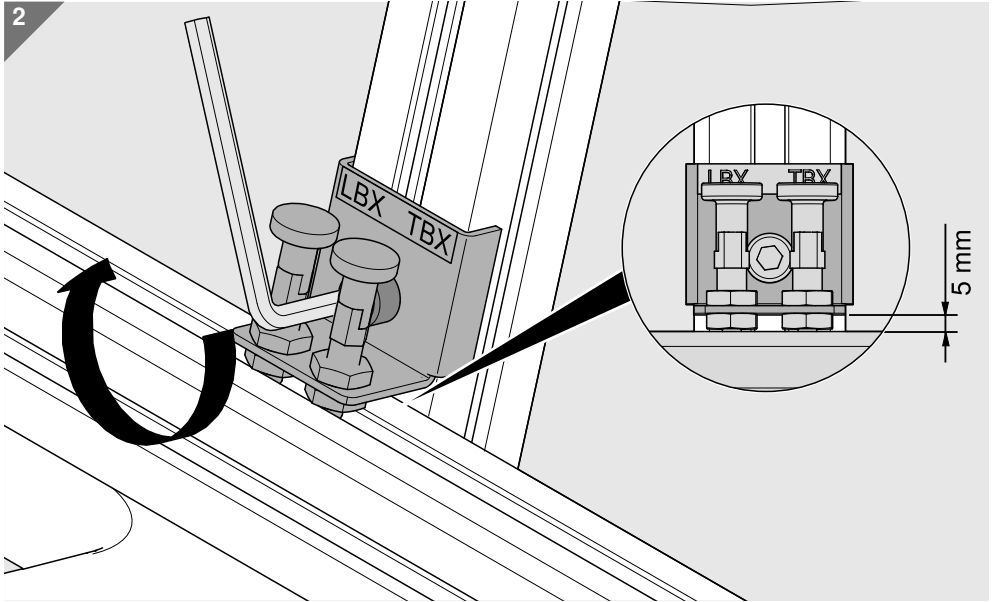


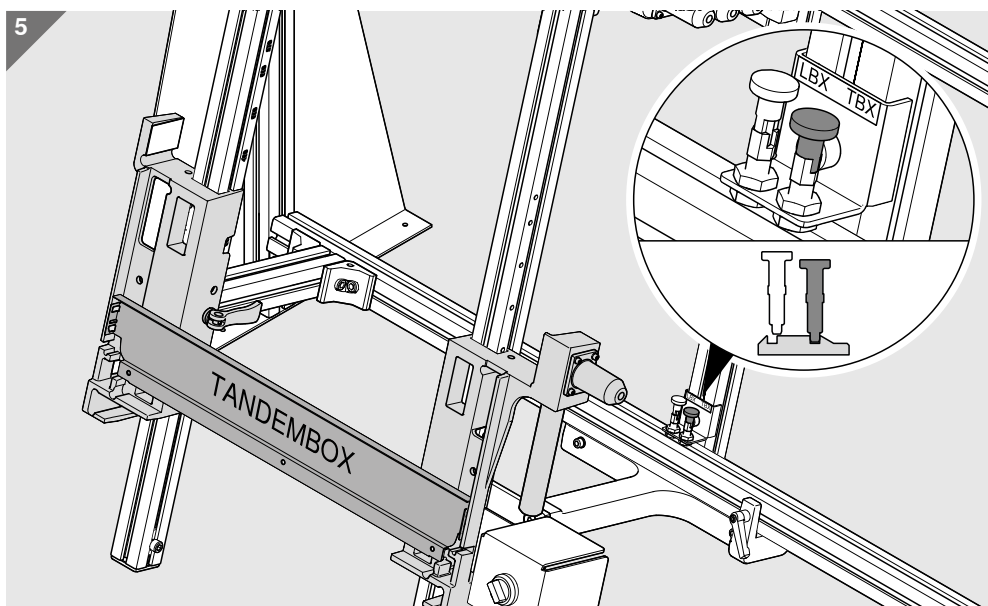
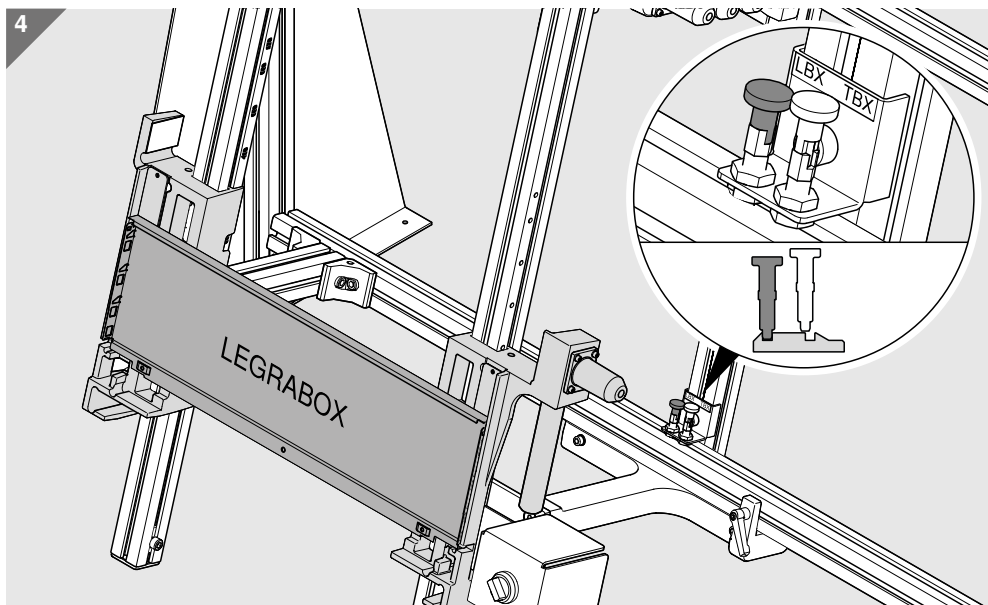
ZMM.2758A02BR

 **blum**[®]

ML







Julius Blum GmbH
Beschlagefabrik
6973 Hochst, Austria
Tel.: +43 5578 705-0
Fax: +43 5578 705-44
E-Mail: info@blum.com
www.blum.com

 **blum**®



ISO 9001
Certified Quality
System



ISO 14001
Certified Environmental
System



ISO 50001
Certified Energy
System