



TIP-ON BLUMOTION for LEGRABOX and MOVENTO

Manufacturer tips

www.blum.com

 **blum**[®]

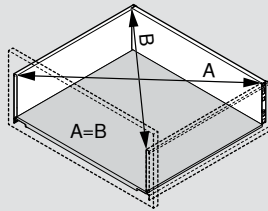
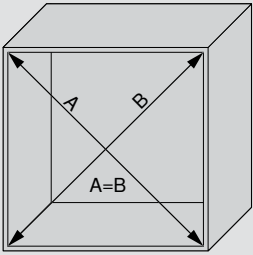
TIP-ON BLUMOTION



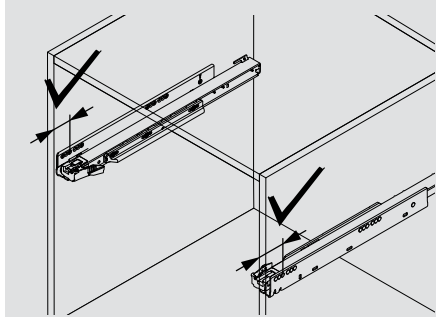
Manufacturer tips

In order for you as a manufacturer and your customers as future users to enjoy long-term use of pull-outs with TIP-ON BLUMOTION, we ask you to please consider the following points during manufacture, assembly and transportation.

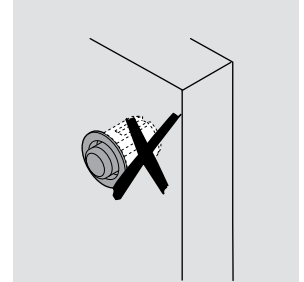
Furniture construction



To ensure a front gap of at least 2.5 mm, precise manufacturing is required, so it should be ensured that planned measurements and angle accuracy are adhered to.

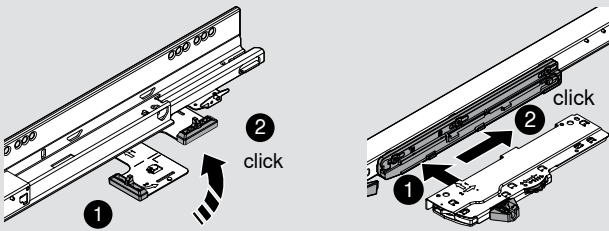


Observe exact depth position of both cabinet profiles.

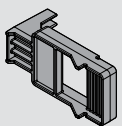
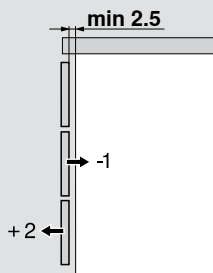


Do not use a bumper, as this restricts the triggering function.

Manufacture and adjustment of fittings

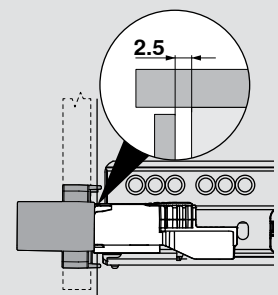
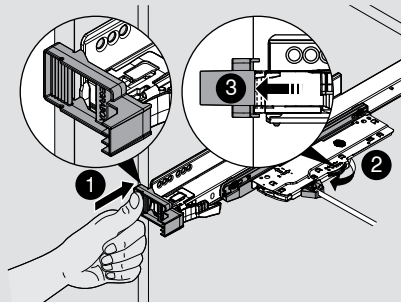
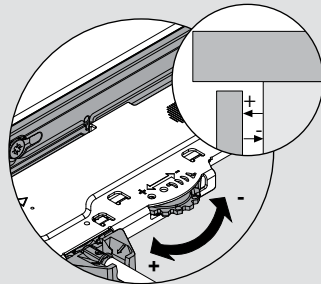


Engage TIP-ON BLUMOTION components until there is an audible clicking sound.

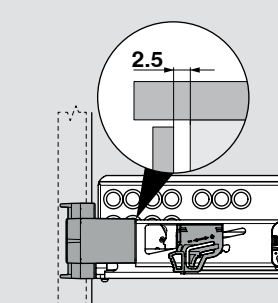
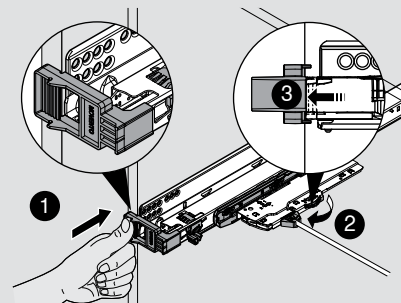
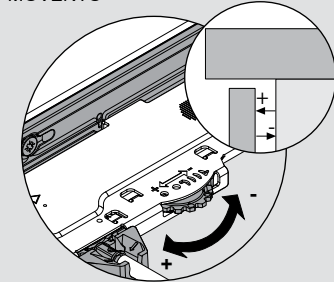


The front gap should be adjusted identically on each side to a minimum of 2.5 mm.

LEGRABOX

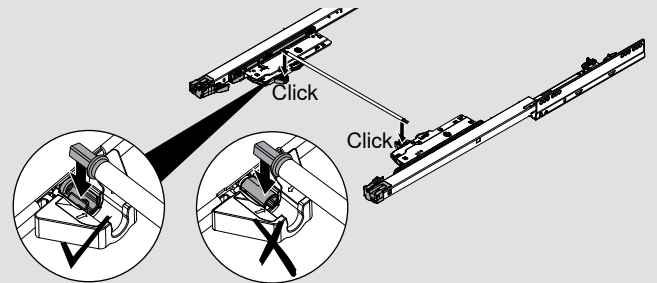


MOVENTO



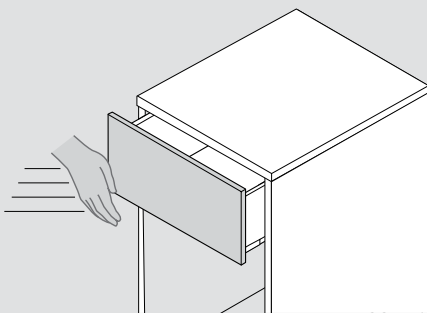


Select the right TIP-ON BLUMOTION unit: the hatched surface of the marking on the underside shows the relevant load configuration (for short nominal lengths S0 and S1, for longer nominal lengths L1, L3 and L5).

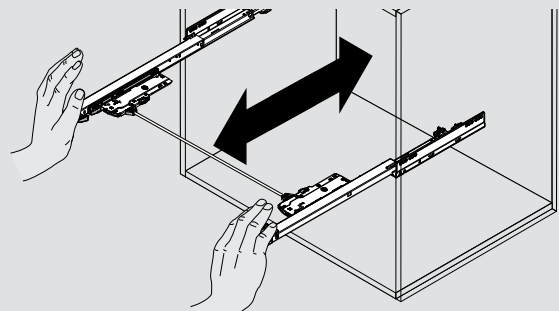


For optimal function and an optimised trigger range for TIP-ON BLUMOTION, use synchronisation linkage.

Operation



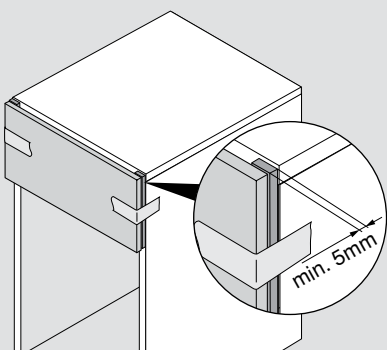
To tension TIP-ON springs, always close pull-outs with TIP-ON BLUMOTION with some force. Reduce the amount of force used accordingly for loaded pull-outs.



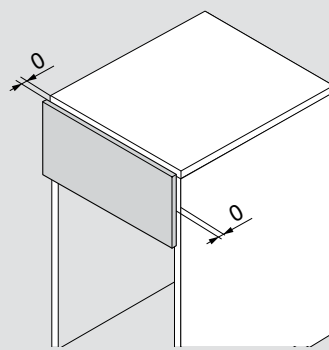
Open or close cabinet profiles with synchronisation in parallel, in order to prevent damage to the synchronisation adapter.

Transportation

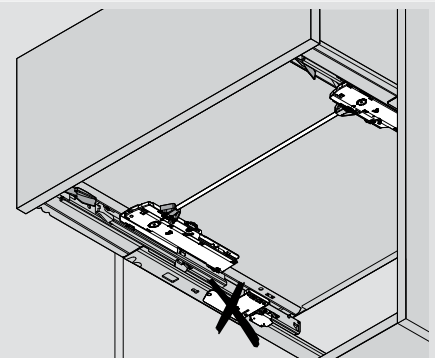
To prevent damage to pre-assembled furniture during transportation:



a) clamp an insert between front and cabinet or



b) adjust the front gap to 0 mm or



c) transport without latch.



You can find further information on TIP-ON BLUMOTION assembly at:
 > www.blum.com/documents/iponblumotion

Julius Blum GmbH
Furniture Fittings Mfg.
6973 Höchst, Austria
Tel.: +43 5578 705-0
Fax: +43 5578 705-44
E-mail: info@blum.com
www.blum.com

