

A hand in a grey sleeve points towards a modern kitchen cabinet. The cabinet features a tip-on mechanism for the drawers, which are shown in a partially open position. The background is a window with horizontal blinds, and a woven basket with oranges is visible on the left side of the cabinet.

# Manufacturer tips for TIP-ON BLUMOTION

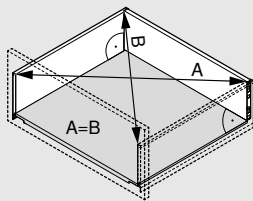
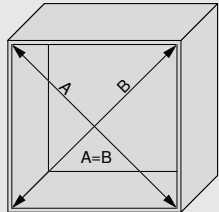
[www.blum.com](http://www.blum.com)

 **blum**<sup>®</sup>

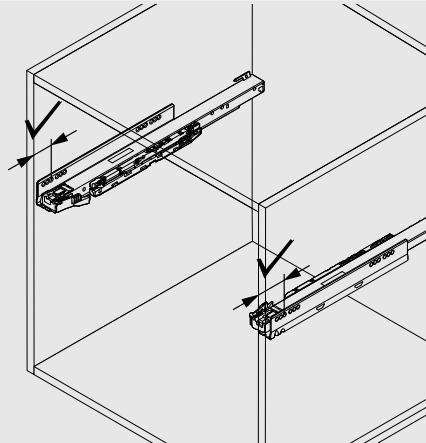
**Manufacturer tips**

In order for you as a manufacturer and your customers as future users to enjoy long-term use of pull-outs with TIP-ON BLUMOTION, we ask you to please consider the following points during manufacture, assembly and transportation.

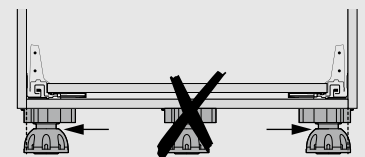
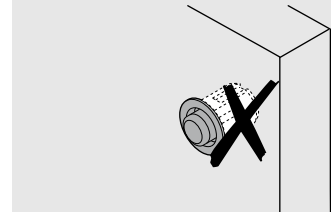
**Furniture construction**



To ensure a front gap of at least 2.5 mm, precise manufacturing is required, so it should be ensured that planned measurements and angle accuracy are adhered to.



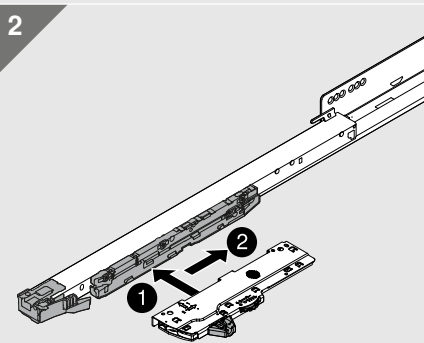
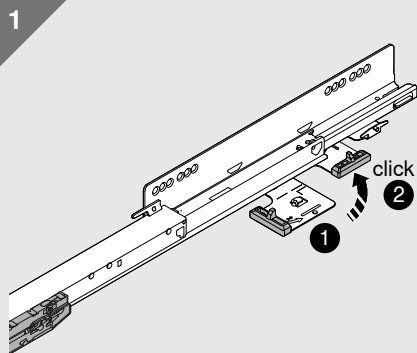
Observe exact depth position of both cabinet profiles.



Do not use a bumper, as this restricts the triggering function. The cabinet bottom may not bend upwards, therefore do not use a fifth base leg.

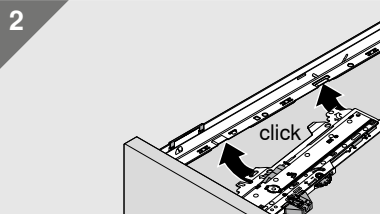
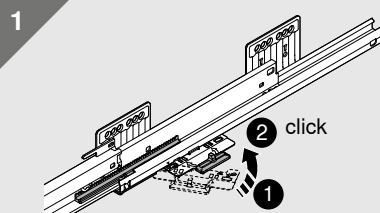
**Manufacture and adjustment of fittings**

**LEGRABOX / MOVENTO**

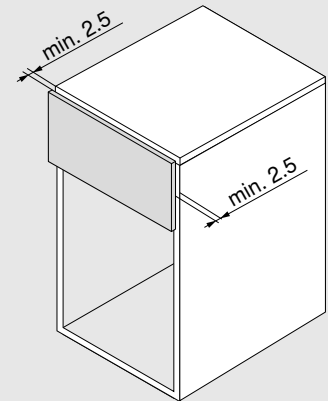
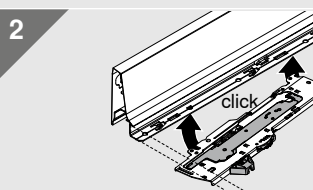
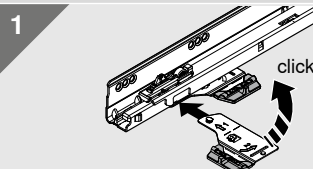


Engage TIP-ON BLUMOTION components until there is an audible clicking sound.

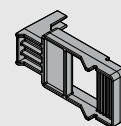
**MERIVOBX**



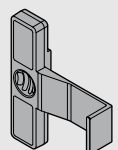
**TANDEMBOX**



**LEGRABOX / MOVENTO**



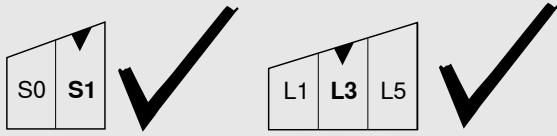
**MERIVOBX / TANDEMBOX**



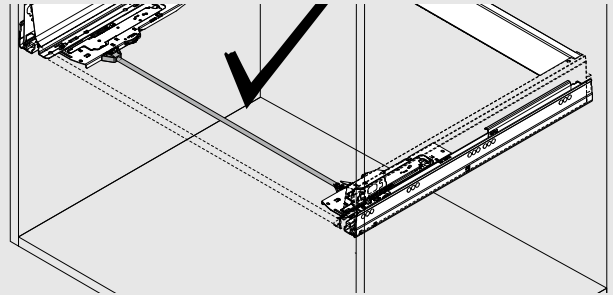
The front gap should be adjusted identically on each side to a minimum of 2.5 mm.

## Manufacturer tips

### Manufacture and adjustment of fittings

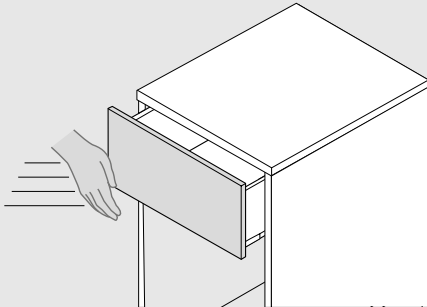


Select the right TIP-ON BLUMOTION unit: The marking on the underside shows the respective load configuration (for short nominal lengths S0 and S1, for longer nominal lengths L1, L3 and L5).

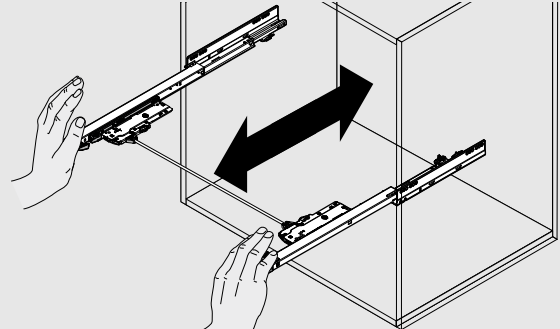


For optimal function and an optimised trigger range for TIP-ON BLUMOTION, use synchronisation linkage.

### Operation



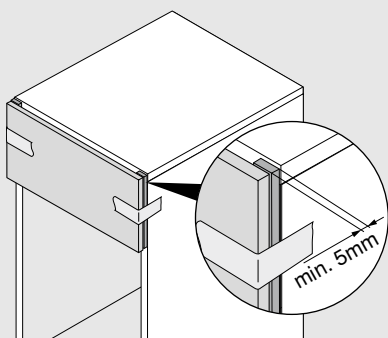
To tension TIP-ON springs, always close pull-outs with TIP-ON BLUMOTION with some force. Reduce the amount of force used accordingly for loaded pull-outs.



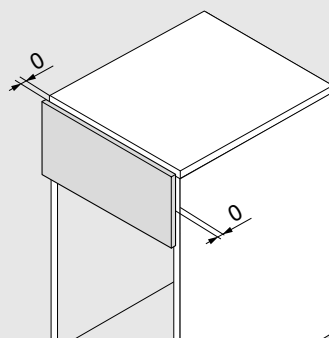
For LEGRABOX/MOVENTO: Open or close cabinet profiles with synchronisation in parallel, in order to prevent damage to the synchronisation adapter.

### Transportation

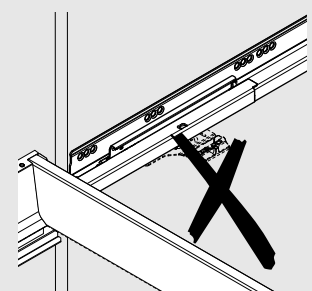
To prevent damage to pre-assembled furniture during transportation:



a) clamp an insert between front and cabinet or



b) adjust the front gap to 0 mm or



c) transport without latch.



You can find further information on  
TIP-ON BLUMOTION assembly at:

[www.blum.com/documentstiponblumotion](http://www.blum.com/documentstiponblumotion)

Blue International Co.,Ltd.  
8,10,12 Soi Ramkhamhaeng 26/1  
Ramkhamhaeng  
Rd., Huamark, Bangkok  
BANGKOK 10240  
THAILAND  
Tel: +66 2 374 7755  
Fax: +66 2 374 9176  
E-Mail: [info@blue-inter.com](mailto:info@blue-inter.com)  
[www.blum.com](http://www.blum.com)

Julius Blum GmbH  
Furniture Fittings Mfg.  
6973 Höchst, Austria  
Tel.: +43 5578 705-0  
Fax: +43 5578 705-44  
E-mail: [info@blum.com](mailto:info@blum.com)  
[www.blum.com](http://www.blum.com)

Our sites in Austria, Poland and China are certified to the international standards mentioned below.  
Our site in the USA is certified to ISO 9001.  
Our site in Brazil is certified to ISO 9001, ISO 14001 and ISO 45001.



Look for our  
FSC™-certified  
products

All content is copyrighted by Blum.  
Subject to technical modifications and changes to the range without notice.  
IDNF: 000.000.0 · FO064/3 EN-TH/05.22