

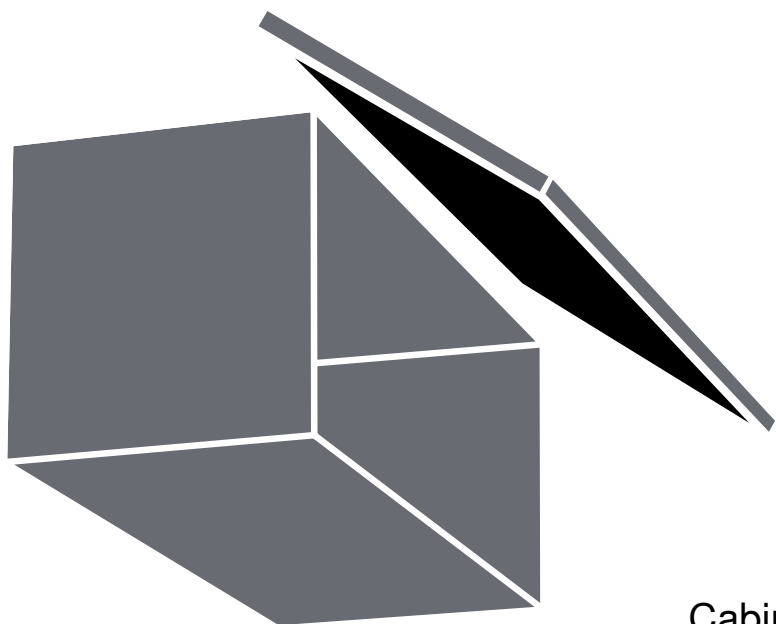
AVENTOS

HS

INSTALLATION
SHEET

 **blum**[®]

上翻斜移门说明书

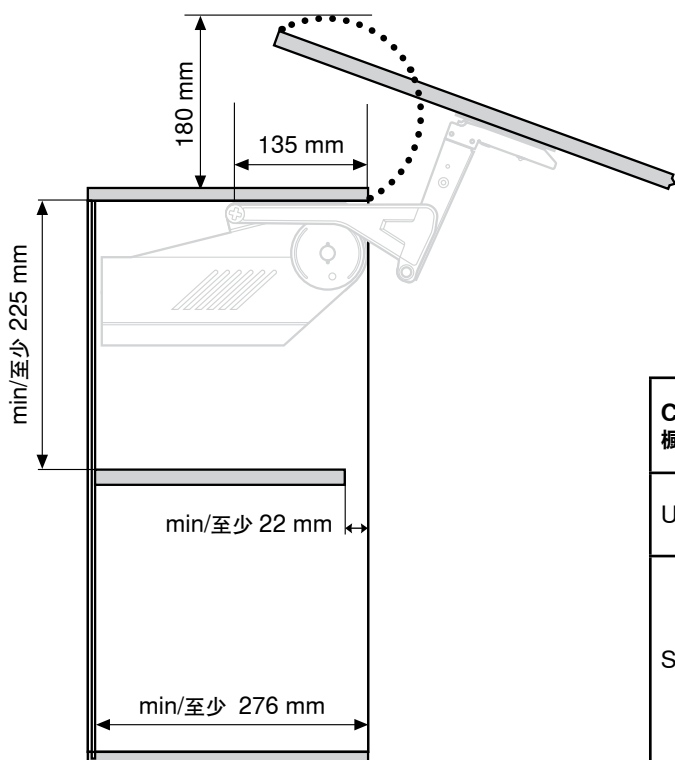
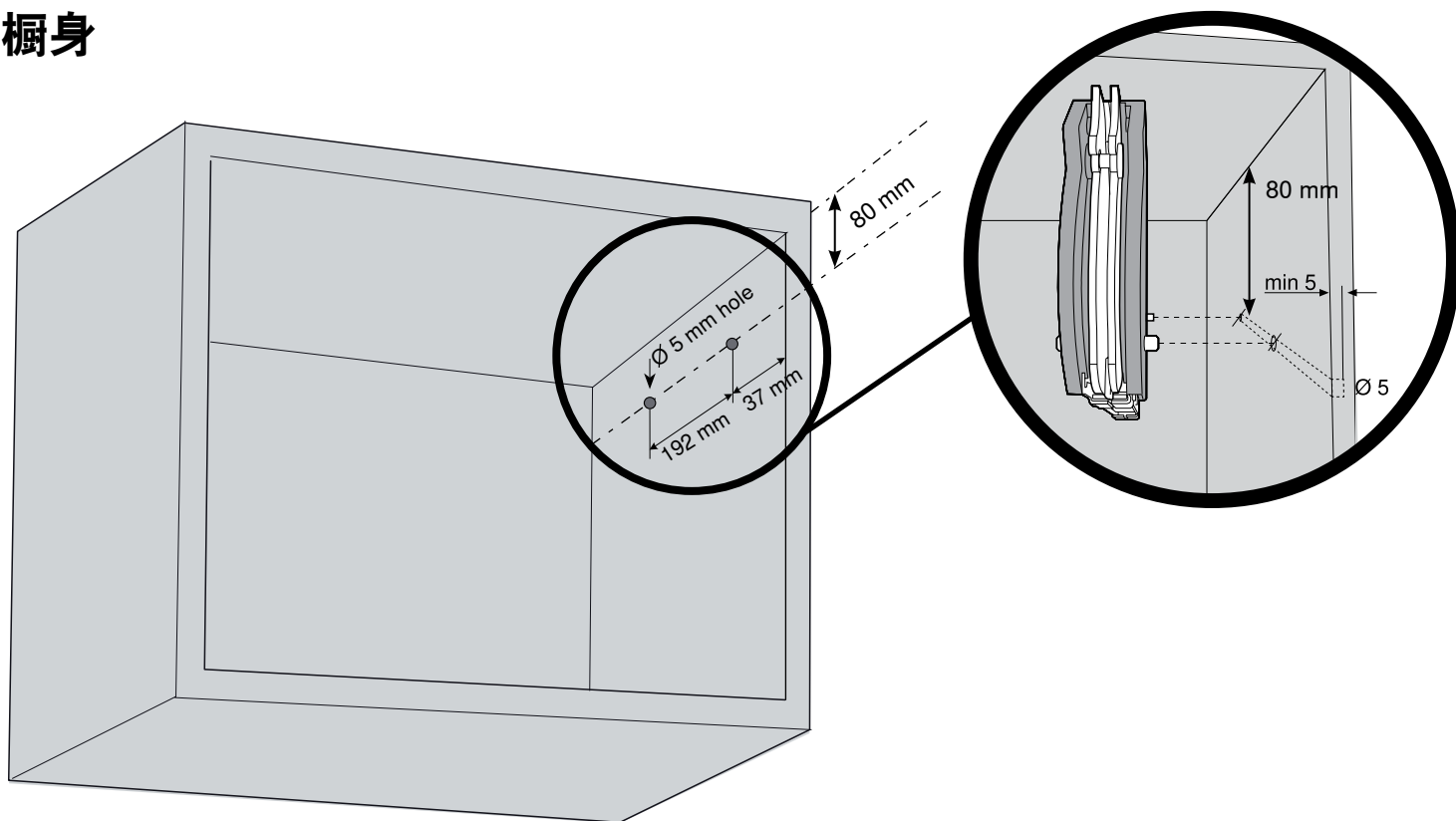


Cabinet Height/橱高: 350 mm - 800 mm

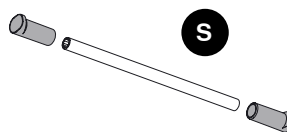


AVENTOS HS - Wooden/ Wide Aluminium door 木门/ 宽铝框门

Carcase 橱身



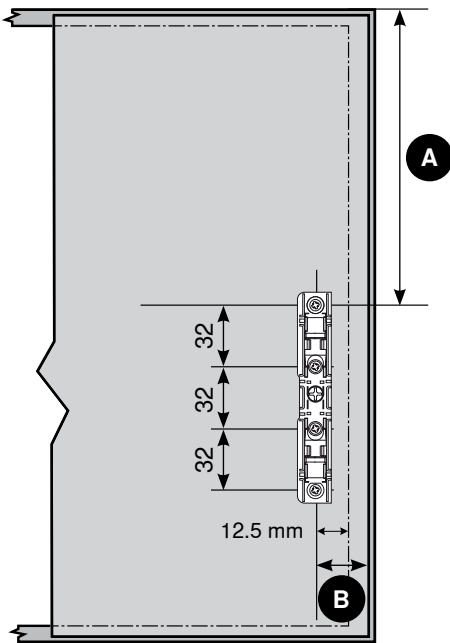
To cut stabiliser to size
如何割横稳定杆



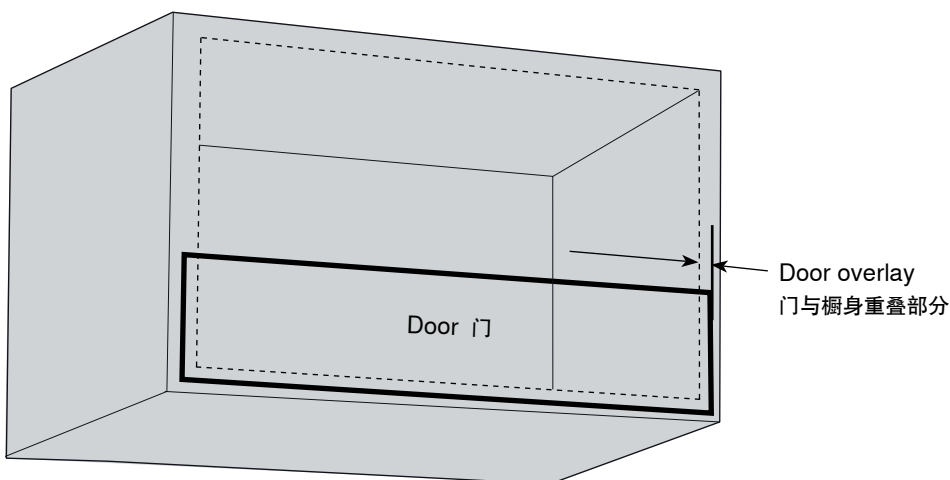
Cabinet width 橱身宽度	S
Up to/到 1218 mm	Internal cabinet width - 129 mm 橱身内宽
Starting from/从 1219 mm/起	Internal cabinet width 橱身内宽 2 - 147 mm

AVENTOS HS - Wooden/ Wide Aluminium door 木门/ 宽铝框门

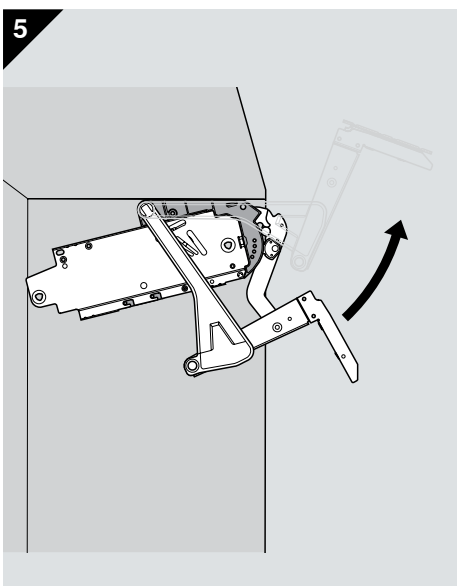
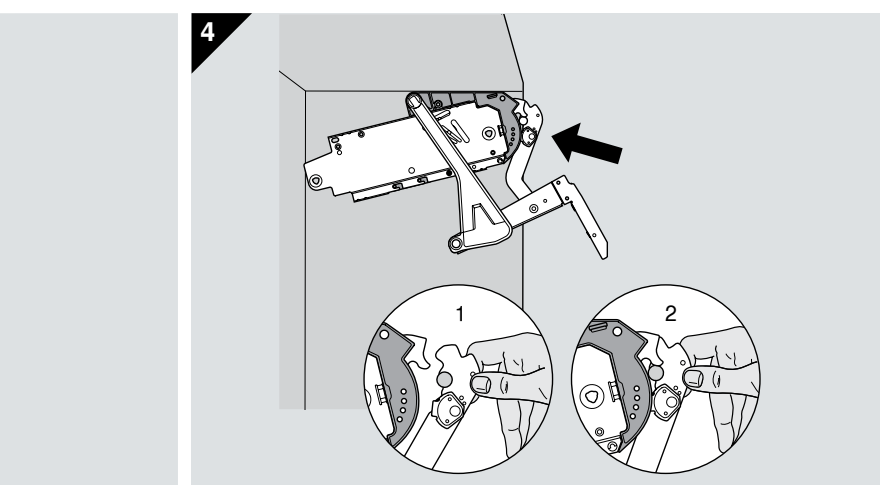
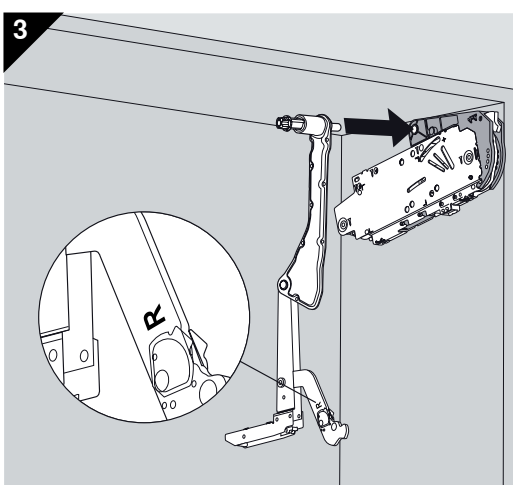
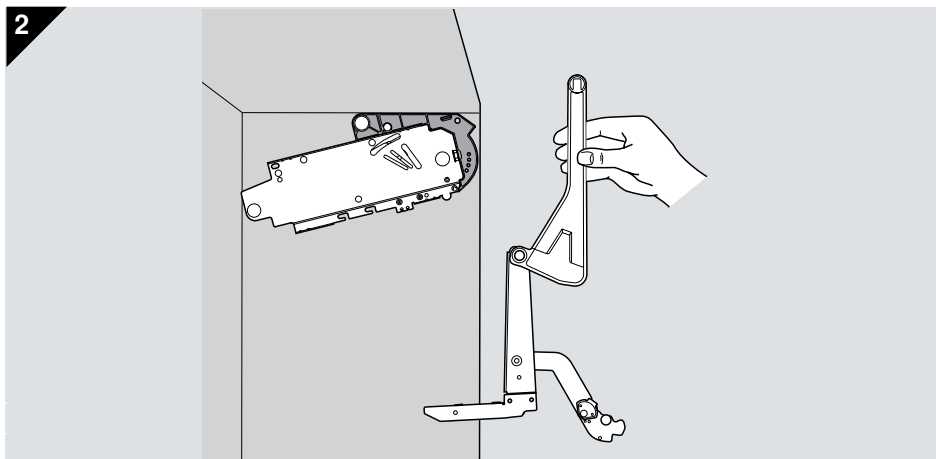
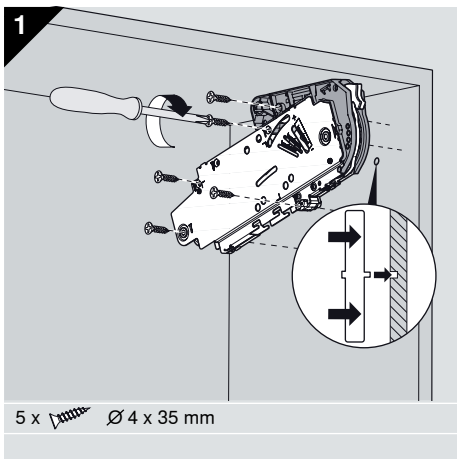
Door 门



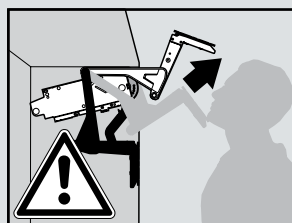
A	Door overlay/门与橱身重叠部分 + 196.5 mm
B	Door overlay/门与橱身重叠部分 + 12.5 mm



Assembly 安装指示



Warning / 警告



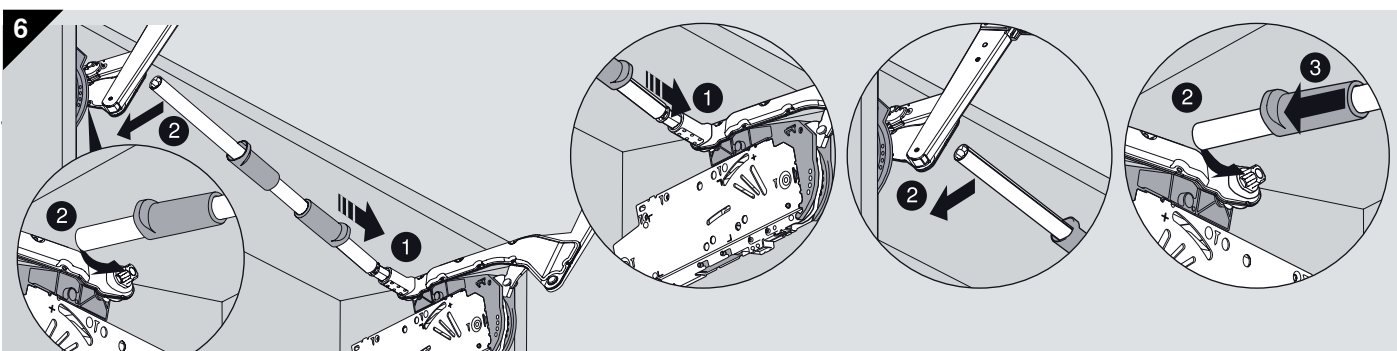
Risk of injury by spring-loaded lever assembly

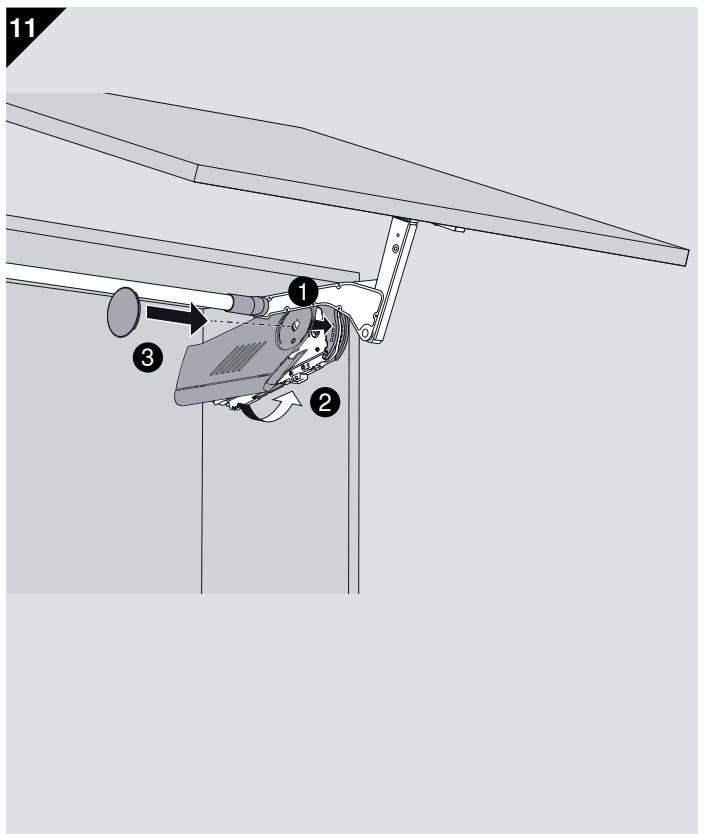
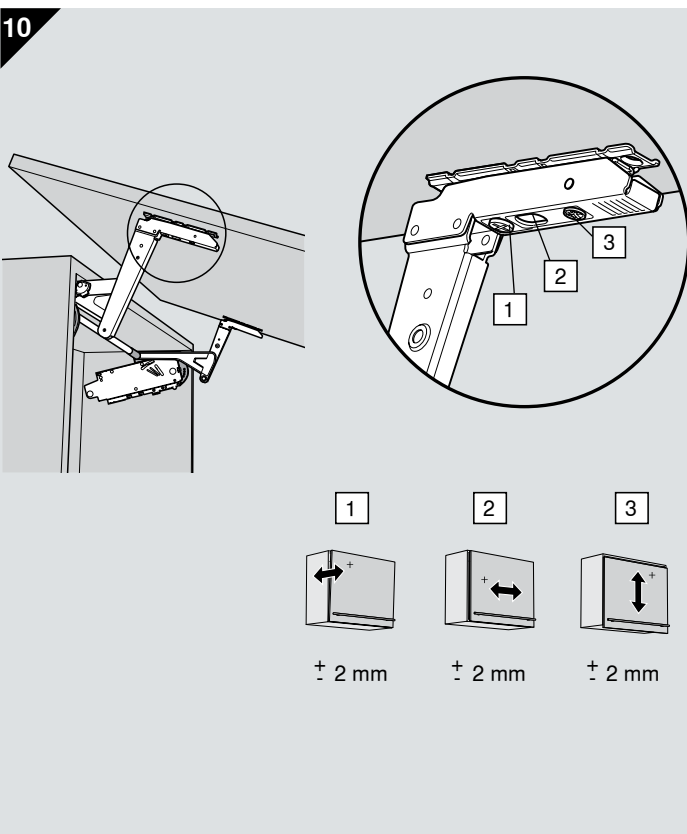
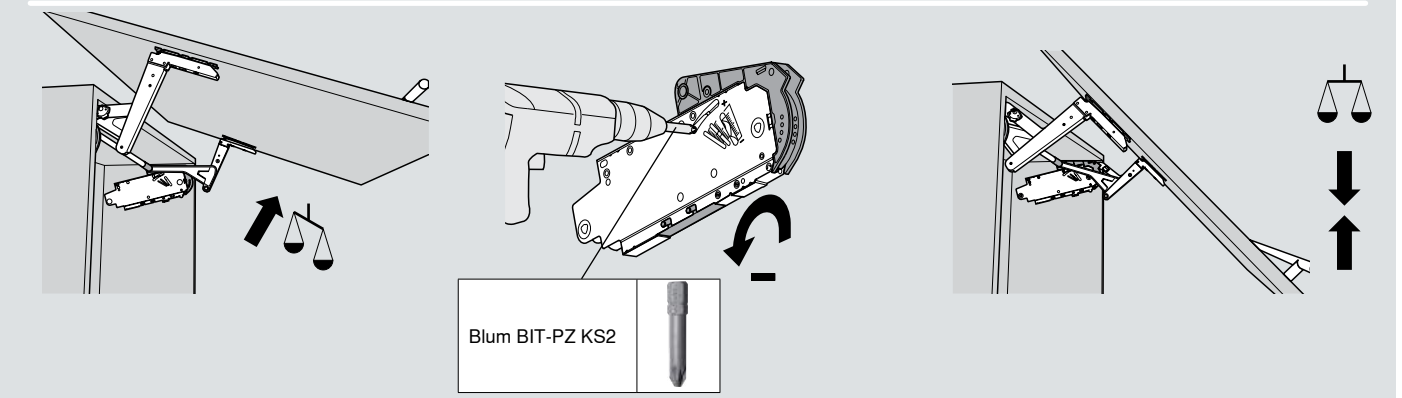
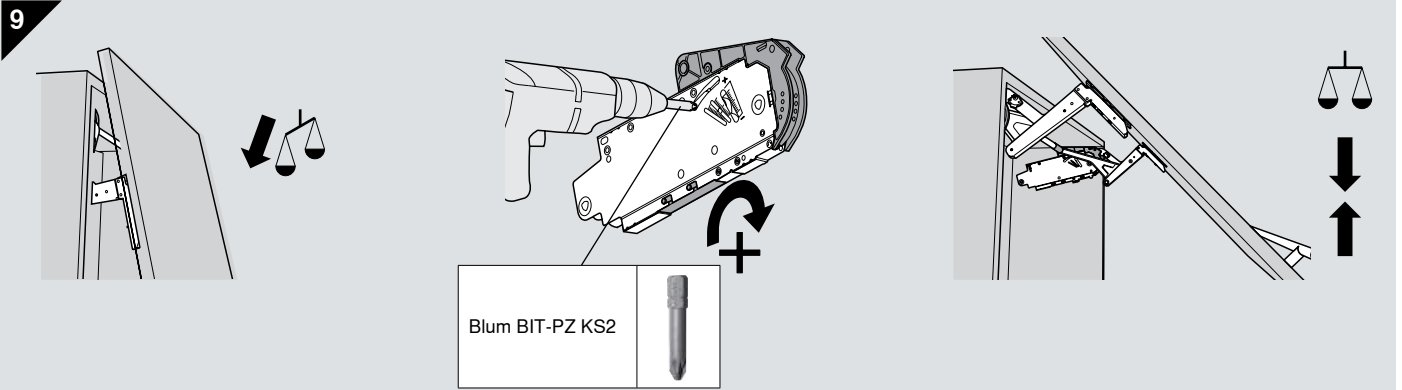
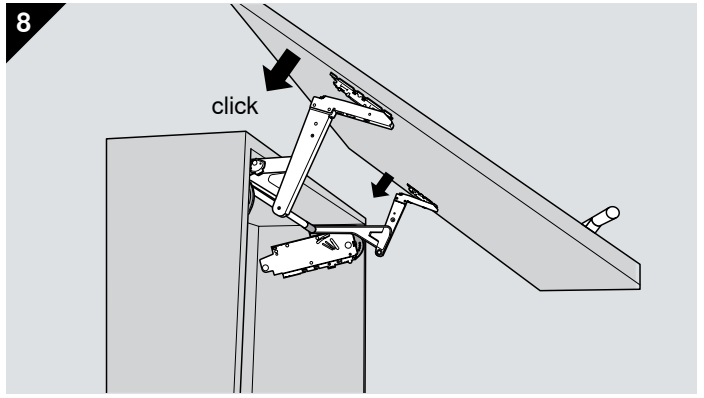
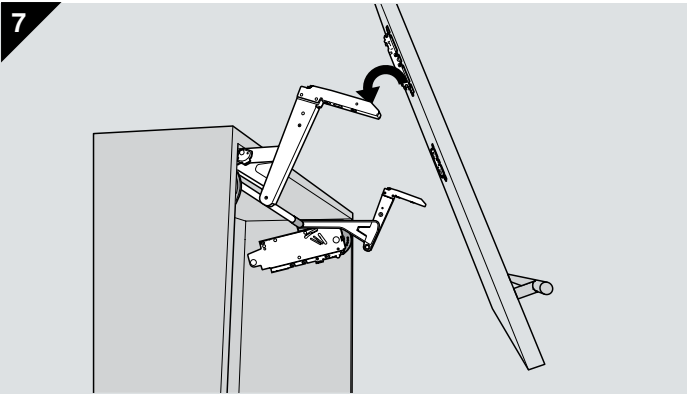
伸缩臂上弹会伤害到人



Do not push lever assembly down without door attached but remove.

伸缩臂请勿下压，请务必拆下





Removal 拆卸指示

