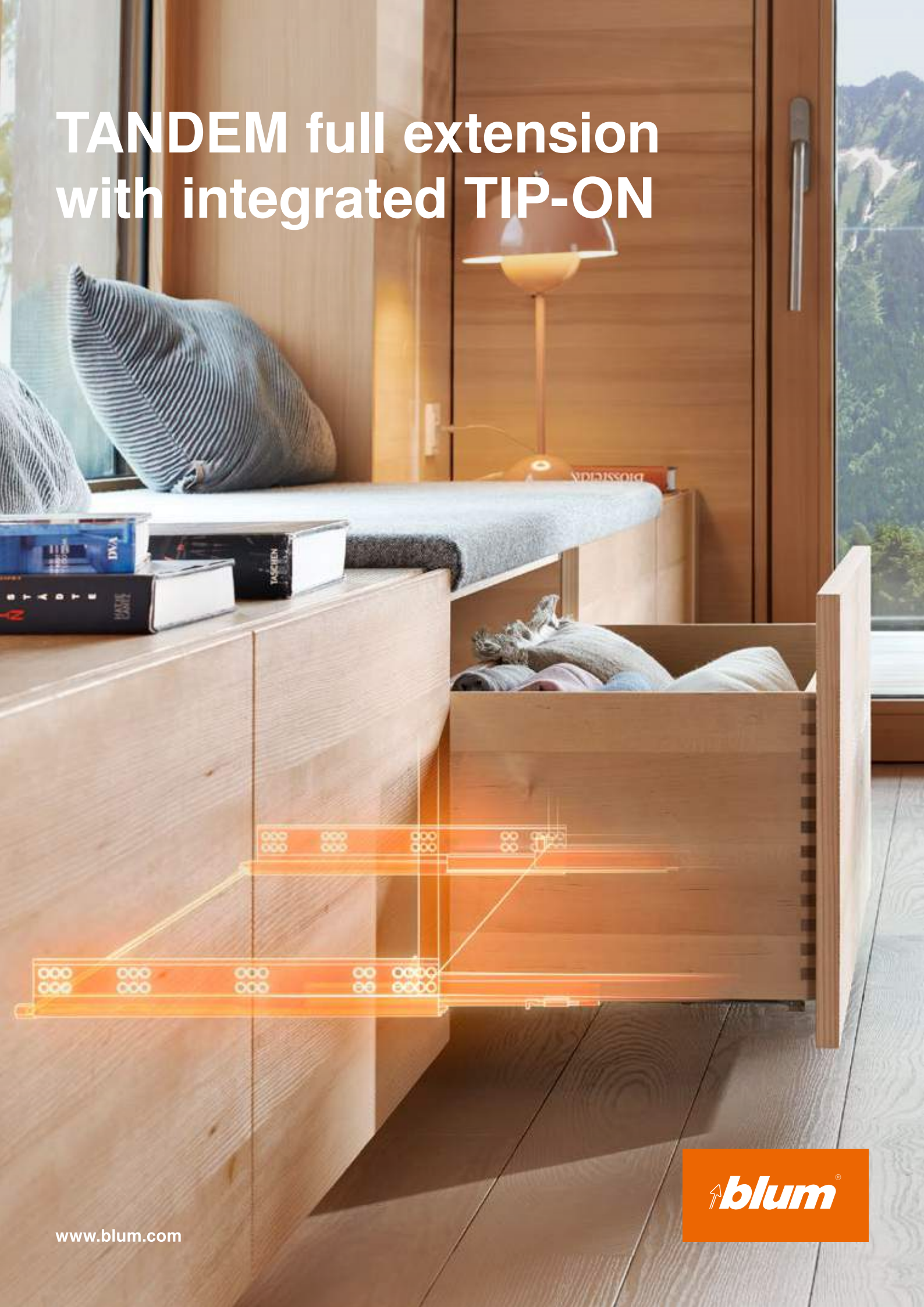


TANDEM full extension with integrated TIP-ON



Quality steel for your wooden design ideas

You'll already be familiar with the versatility of the TANDEM runner system and the convenience of the TIP-ON motion technology. Now we have combined the advantages of both – in the new TANDEM full extension with integrated TIP-ON. This means a better quality of living with fewer components. The TANDEM, with its tried-and-tested functionality, is now also available as a more cost-effective solution for your wooden design ideas – including easy assembly and convenient operation.





Contents

- 04 Product advantages
- 08 Easy assembly
- 10 Services and assembly devices

Ordering and planning information

- 12 560H locking device feature – full extension
- 14 561H hook and peg feature – full extension
- 16 Accessories
- 17 Attachment of runners
- 18 moving ideas



Proven programme – new pull-out, huge selection

The new TANDEM full extension with integrated TIP-ON offers the usual options. From a short nominal length of 250 mm to a long nominal length of 600 mm, you will always find the right solution for you. The load bearing class of 30 kg also remains the same. You can choose between the locking device or hook and peg feature depending on your individual assembly preferences.



Fewer components – less effort, extensive functionality

The TANDEM full extension with integrated TIP-ON makes everything easier and is also more cost-effective. Thanks to the reduced number of components, the runner system takes up less space in your storage area. You also save time on assembly and installation, enabling you to benefit from both reduced effort and the extensive functionality of Blum motion technology.



Easy to open – enhanced convenience for a better quality of living

Experience a high quality of living – for example with easy-to-open handle-less fronts. The integrated TIP-ON mechanical opening support system guarantees the familiar Blum quality of motion. A light touch is all it takes to open the drawer. Thanks to synchronisation, you can touch almost anywhere to open, even the corners on the front.

With synchronisation – practical all the way

To open, touch lightly anywhere on the front – in the centre or to the side. A concealed synchronisation linkage connects the runners, giving TIP-ON a large trigger range.





Easy installation – quickly install or remove

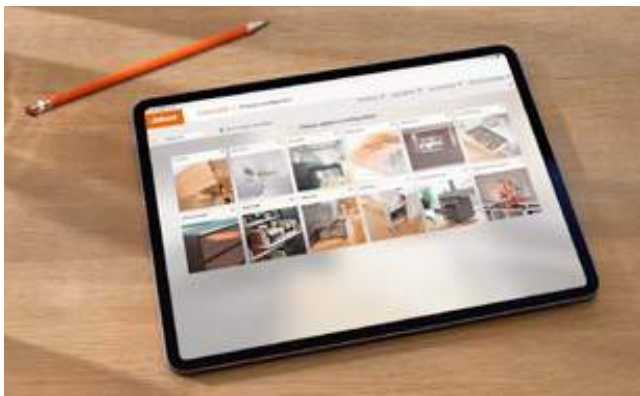
As TIP-ON is already integrated into the TANDEM runner, no additional parts are required. This also means that less effort is involved in installation and removal. As is the case with all TANDEM variants, you can choose between the locking device or hook and peg feature – both of which feature easy adjustment and a practical lift-off stop. No adapters are required for the self-explanatory installation of the single-piece synchronisation linkage that can be cut to size.

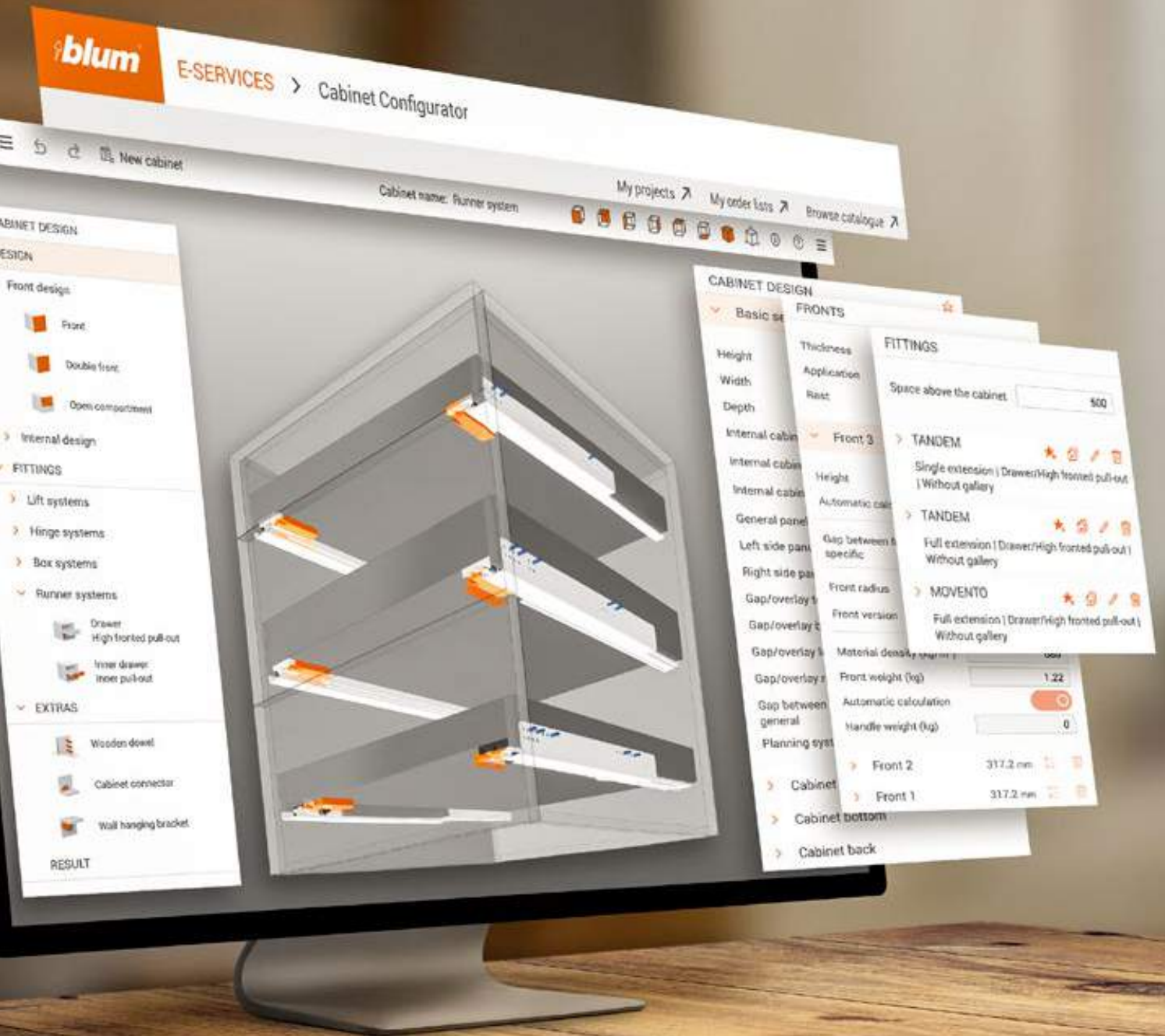
Services and assembly devices – precise, practical and professional

We offer services and assembly devices to complement the TANDEM full extension runner system with integrated TIP-ON. We support you along the entire process chain: our E-SERVICES help you to plan, design and choose products around the clock. In addition to drilling and insertion machines, we also offer special drilling templates for furniture production, such as for TANDEM with the hook and peg feature or for the TANDEM front adjuster.



Product Configurator
www.blum.com/productconfigurator



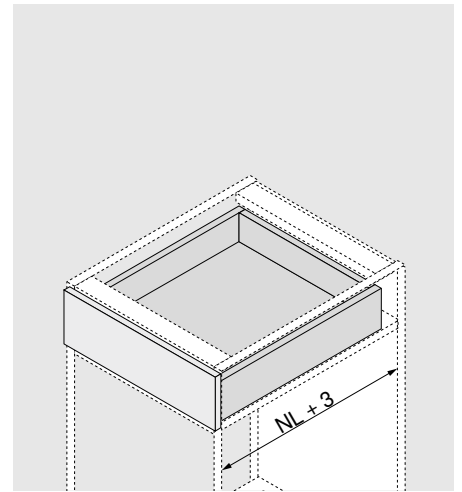


Cabinet Configurator
www.blum.com/cabinetconfig

560H locking device feature – full extension – integrated TIP-ON



- Concealed TANDEM full extension for wooden drawers with a panel thickness of 11 to 16 mm
- Includes integrated TIP-ON motion technology – the mechanical opening system
- Low-friction cylindrical nylon rollers ensure a feather-light glide
- Tool-free height adjustment via a locking device
- Tool-free integrated front tilt adjustment
- Integrated tool-free depth adjustment
- Recommendation: optional TIP-ON synchronisation for secure triggering even with wide fronts



Ordering information

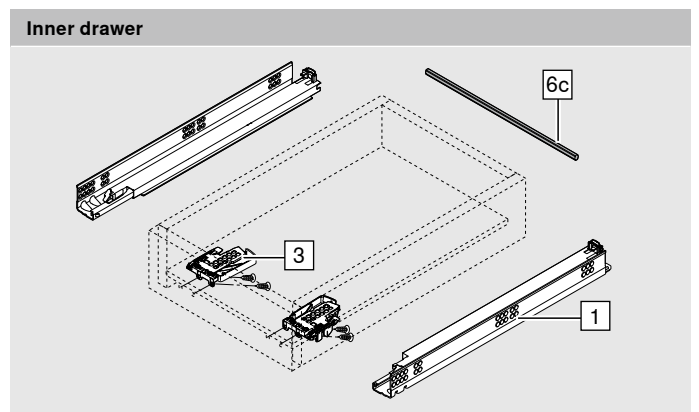
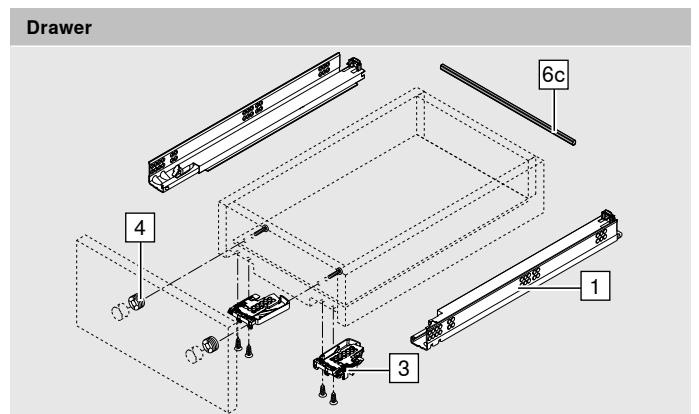
1	Runners left/right	
	Nominal length NL	Load bearing capacity
	mm	30 kg
	250	560H2500T
	270	560H2700T
	300	560H3000T
	320	560H3200T
	350	560H3500T
	380	560H3800T
	400	560H4000T
	420	560H4200T
	450	560H4500T
	480	560H4800T
	500	560H5000T
	520	560H5200T
550	560H5500T	
600	560H6000T	
Integrated TIP-ON		

3	Locking device left/right	
	Nylon/zinc	T51.1700.04
	Orange	
	With height adjustment	
	Order left and right	

Accessories

4	Front adjuster	
	Nylon	295.1000
	Natural	

6c	TIP-ON synchronisation linkage		
	Cabinet width KB (mm)	Version	
	Up to 1200	Profile linkage	T57.1140S
For cutting to size			
We recommend the use of a synchronisation linkage for every cabinet width.			
Cutting dimensions: internal cabinet width LW – 31 mm			



560H locking device feature – full extension – integrated TIP-ON

Planning

Space requirements in the cabinet	Drawer/inner drawer	Drawer	Inner drawer
	<p>SKW Internal drawer width</p> <p>LW Internal cabinet width</p>	<p>SKL Drawer length</p> <p>NL Nominal length</p>	<p>ISKL Inner drawer length</p> <p>SKL Drawer length</p> <p>NL Nominal length</p> <p>X Front thickness</p>

Drawer assembly

Use drilling template T65.1000.02

Use drilling template T65.1000.02

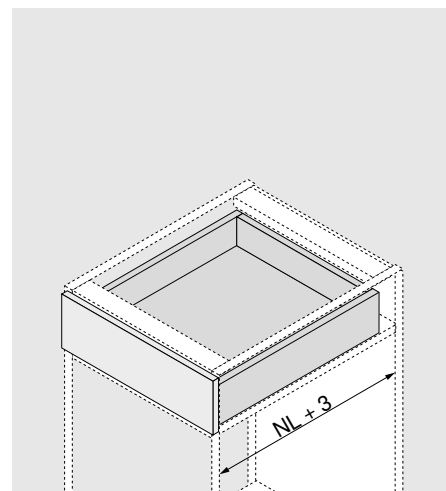
Trigger range

Example for 560H – 30 kg, nominal length NL 500 mm, four sided drawer, with synchronisation

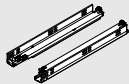
561H hook and peg feature – full extension – integrated TIP-ON




- Concealed TANDEM full extension for wooden drawers with a panel thickness of 11 to 16 mm
- Includes integrated TIP-ON motion technology – the mechanical opening support system
- Low-friction cylindrical nylon rollers ensure a feather-light glide
- Lift-off stop, height adjustment and front tilt adjustment integrated
- Integrated tool-free depth adjustment
- Recommendation: optional TIP-ON synchronisation for secure triggering even with wide fronts



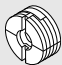
Ordering information

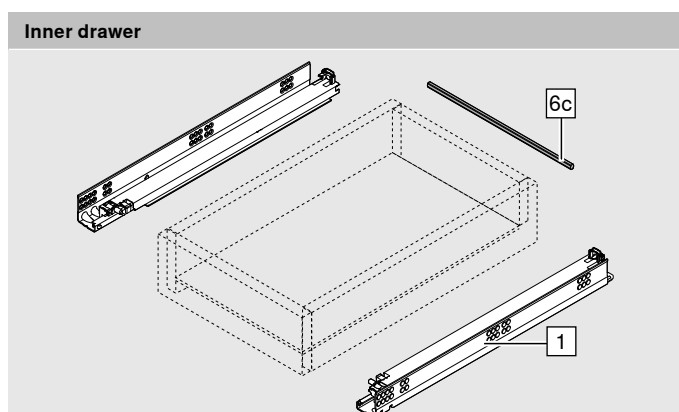
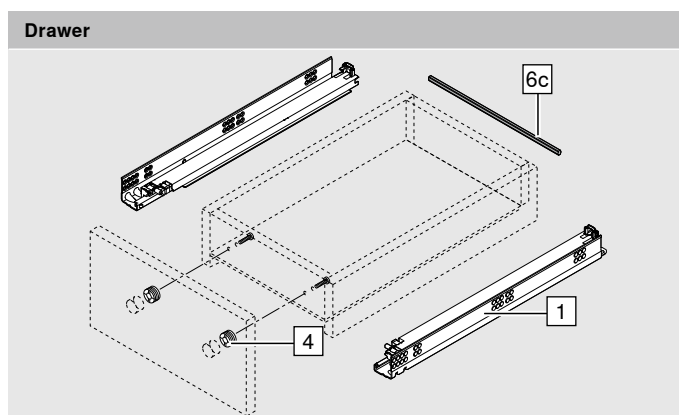
1	Runners left/right	
	Nominal length NL mm	Load bearing capacity 30 kg
	260	561H2601T
	285	561H2851T
	310	561H3101T
	335	561H3351T
	360	561H3601T
	385	561H3851T
	410	561H4101T
	435	561H4351T
	460	561H4601T
	485	561H4851T
	510	561H5101T
	535	561H5351T
	560	561H5601T

Integrated TIP-ON

6c	TIP-ON synchronisation linkage		
	Cabinet width KB (mm)	Version	
	Up to 1200	Profile linkage	T57.1140S
For cutting to size We recommend the use of a synchronisation linkage. Cutting dimensions: internal cabinet width LW – 31 mm			

Accessories

4	Front adjuster	
	Nylon Natural	295.1000



561H hook and peg feature – full extension – integrated TIP-ON

Planning

Space requirements in the cabinet	Drawer/inner drawer	Drawer	Inner drawer
	<p>SKW Internal drawer width</p> <p>LW Internal cabinet width</p>	<p>SKL Drawer length</p> <p>NL Nominal length</p>	<p>ISKL Inner drawer length</p> <p>SKL Drawer length</p> <p>NL Nominal length</p> <p>X Front thickness</p>

Drawer assembly

Use drilling template T65.1000.02

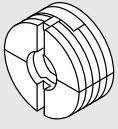
Trigger range

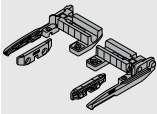
Example for 560H – 30 kg, nominal length NL 500 mm, four sided drawer, with synchronisation

Drawer assembly

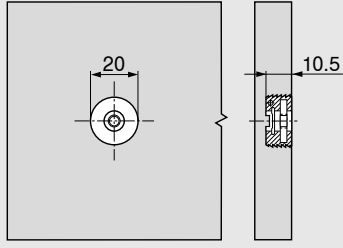
Nominal length NL (mm)	Peg X2 (mm)	Lift-off stop X1 (mm)
260	205	185
285	220	200
310	230	242
335	245	257
360	275	287
385	285	297
410	300	344
435	310	354
460	335	379
485	350	394
510	360	436
535	375	451
560	405	481

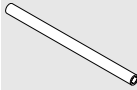
Accessories

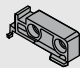
Front adjuster	
	With pre-mounted steel flange For four sided drawers 2-dimensional front adjustment (± 2 mm) Material: nylon Colour: natural
	295.1000

Pull-out shelf lock (set)	
	Material Nylon
	Colour Orion grey matt
	Consisting of: 2 x locking unit* 2 x latching element 1 x installation instructions
	295H5700
	Fixing with chipboard screws Ø 3.5 x 15 mm, part no. 609.1500 or system screws, part no. 661.1450.HG
* Fixing only possible with chipboard screws	

Further information on the pull-out shelf lock can be found in EP-552 Pull-out shelf lock

Planning

Insertion ram for MINIPRESS + PRO-CENTER MZM.0095

Pull-out shelf lock – synchronisation linkage		
	Material Aluminium	
	Colour Natural	
	For cutting to size	ZST.1089W
	Optional	ZST.1160W
	Suitable for cabinet width KB up to 1200 mm Cutting dimensions: LW – 87 ± 1 mm	
Pull-out shelf lock can be unlocked with one hand thanks to synchronisation		

Back fixing bracket for pull-out shelves without pull-out shelf lock	
	Nylon Natural
	T51.7000.01

Attachment of runners 560H/561H

Runner 560H – 30 kg																			
NL	19	37	69	133	165	197	229	243	261	284	325	357	389	421	453	485	517	549	
250–270	○●	○●	○●	○●	○●	○●													
300–320	○●	○●	○●	○●	○●	○●													
350	○●	○●	○●	○●	○●	○●													
380	○●	○●	○●	○●	○●	○●													
400	○●	○●	○●	○●	○●	○●													
420	○●	○●	○●	○●	○●	○●													
450	○●	○●	○●	○●	○●	○●													
480	○●	○●	○●	○●	○●	○●													
500	○●	○●	○●	○●	○●	○●													
520	○●	○●	○●	○●	○●	○●													
550	○●	○●	○●	○●	○●	○●													
600	○●	○●	○●	○●	○●	○●													

NL Nominal length

A Chipboard screw Ø 4 x 15 mm

B System screw, part number 661.1450.HG

Runner 561H – 30 kg																		
NL	19	37	69	133	165	229	243	261	284	293	325	357	389	421	453	485	517	
260	○●	○●	○●	○●	○●	○●												
285	○●	○●	○●	○●	○●	○●												
310	○●	○●	○●	○●	○●	○●												
335	○●	○●	○●	○●	○●	○●												
360	○●	○●	○●	○●	○●	○●												
385	○●	○●	○●	○●	○●	○●												
410	○●	○●	○●	○●	○●	○●												
435	○●	○●	○●	○●	○●	○●												
460	○●	○●	○●	○●	○●	○●												
485	○●	○●	○●	○●	○●	○●												
510	○●	○●	○●	○●	○●	○●												
535	○●	○●	○●	○●	○●	○●												
560	○●	○●	○●	○●	○●	○●												

NL Nominal length

A Chipboard screw Ø 4 x 15 mm

B System screw, part number 661.1450.HG



Further information on installation, adjustment and removal can be found at: www.blum.com/a_tandem



moving ideas

We believe that ideas can move the world. We offer innovative fittings, inspiring furniture concepts and appropriate services so that you can turn your creative ideas into reality. We are driven by your needs, international trends and our shared vision of a better quality of living. Let us work together to create moving ideas.



Quality of living

We would like you to enjoy greater convenience and functionality when using furniture.



Product range

Everything from a single source: our wide range of products allows you to keep up with today's and tomorrow's trends.



Inspiration

We monitor global trends and strive to create the solutions of tomorrow. We like to share our insights with you.



Innovation

We stay in motion. Curiosity and pioneering spirit drive us to develop new products and services for you.



Services

We support your daily operations with customised services tailored to your processes.



Quality

We continuously strive to improve our products, services and ourselves.



Trust

We take responsibility for partnerships, our employees, society and the environment.

Julius Blum started our journey in 1952 with horseshoe studs. Today we supply innovative fittings to customers in over 120 countries.

Julius Blum GmbH
Furniture Fittings Mfg.
6973 Höchst, Austria
Tel.: +43 5578 705-0
Fax: +43 5578 705-44
E-mail: info@blum.com
www.blum.com

Our sites in Austria, Poland and China are certified to the international standards mentioned below.
Our site in the USA is certified to ISO 9001.
Our site in Brazil is certified to ISO 9001, ISO 14001 and ISO 45001.



Look for our
FSC™-certified
products

All content is copyrighted by Blum.
Subject to technical modifications and changes to the range without notice.
IDNR: 373.914.8 · EP-605/1 EN-AL/06.23