



Inward opening furniture door

Interesting design solutions
for small and large spaces

Technical data sheet

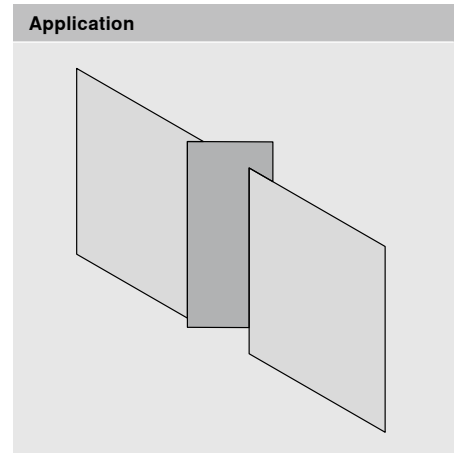
www.blum.com

 **blum**[®]

Product



- CLIP top BLUMOTION with integrated soft-close mechanism (can be deactivated)
- Suitable for the construction of cabinets with inward-opening doors
- For door widths up to 900 mm
- 3-dimensional front adjustment
- Convenient spiral-screw side adjustment
- Tool-free assembly and removal of the front
- With INSERTA tool free hinge to door assembly
- Boss drilling on the cabinet



Ordering information

Hinge with double cranked hinge arm			
	<input checked="" type="checkbox"/> Boss	<input checked="" type="checkbox"/> INSERTA	
Hinge	Spring	Colour	
CLIP top BLUMOTION	●	NI ONS	71B3790
CLIP top	●	NI	71T3790
	<input checked="" type="checkbox"/> Boss	<input type="checkbox"/> Screw-on	
Hinge	Spring	Colour	
CLIP top BLUMOTION	●	NI ONS	71B3750
CLIP top	●	NI	71T3750
	<input checked="" type="checkbox"/> Boss	<input type="checkbox"/> Knock-in	
Hinge	Spring	Colour	
CLIP top BLUMOTION	●	NI	71B3780
CLIP top	●	NI	71T3780

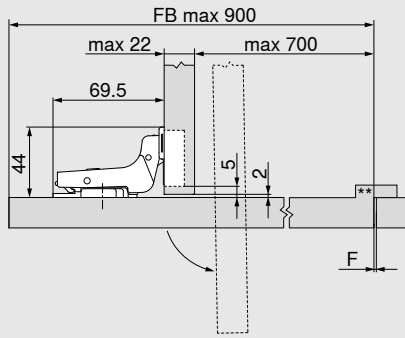
● With spring

NI Nickel plated
ONS Onyx black

Accessories			
	<input type="checkbox"/>	<input type="checkbox"/>	Hinge boss cover cap
Hinge	Colour		
CLIP top BLUMOTION	NI ONS		70T3504
CLIP top	NI		70T3504
	<input type="checkbox"/>		Hinge boss spacer
Hinge	Spacing (mm)		
CLIP top BLUMOTION	1.5		70T3507.21
CLIP top	1.5		70T3507.21
	<input type="checkbox"/>		Chipboard screw
Ø (mm)	Length (mm)		
3.5	15		609.1500
3.5	17		609.1700
	<input type="checkbox"/>		Insertion ram
Colour	Material		
Orange	Nylon		MZM.0040
	<input type="checkbox"/>	<input type="checkbox"/>	Hinge arm cover cap
Print/ stamp	Logo	Colour	
Plain	-	NI ONS	70.1663
Stamped	Blum	NI	70.1663.BP

Planning

Inward opening furniture door



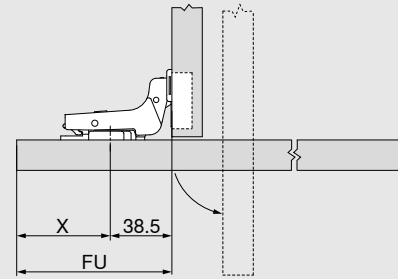
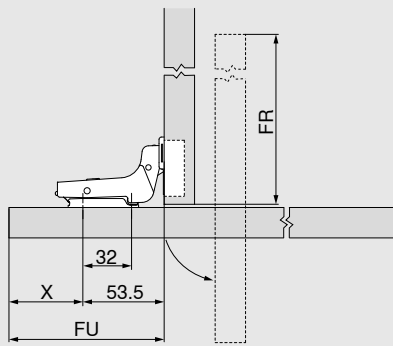
Hinge dimensions based on factory setting (mounting plate spacing = 0 mm)

F Due to the size of the door, we recommend min 2 mm gap on all four sides.

** We recommend fitting a door stop to the side opposite the hinges when implementing an inward opening door (to be provided by furniture manufacturer). This ensures that the door cannot be misused and opened outwards.

FB Front width

Fixing position horizontal mounting plate with dimension 20/32 **Fixing position cruciform mounting plate with dimension 37/32**



$X = FU - 53.5$

$X = FU - 38.5$

FR = Front width - FU - 3

F Gap

FU Front protrusion

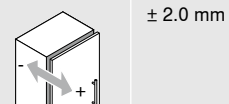
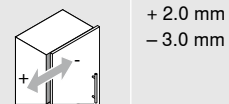
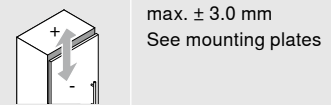
FR Inward door projection

Number of hinges **Adjustment**

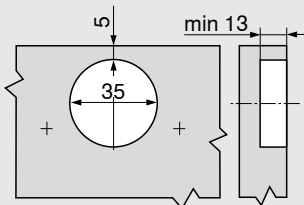
- Door weight up to 22 kg: 5 hinges
- Door weight up to 27 kg: 6 hinges
- Door weight up to 32 kg: 7 hinges

Application is tested with 80.000 opening and closing cycles

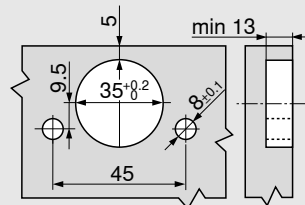
Adjustment



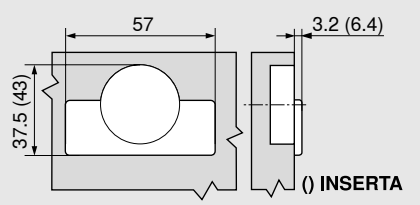
Screw-on assembly



INSERTA | knock-in



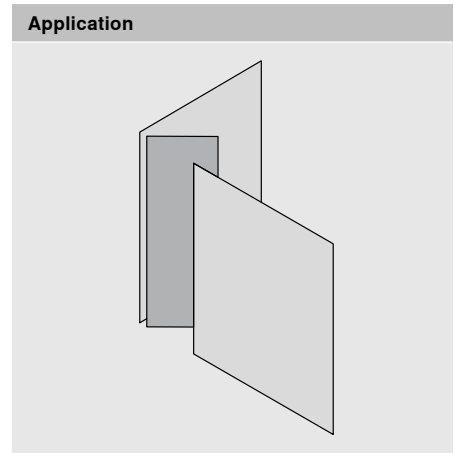
Hinge boss dimensions



Product



- COMPACT with closing mechanism (spring)
- Suitable for the construction of cabinets with inward-opening doors
- One-piece hinge including mounting plate
- For door widths up to 800 mm
- Two-dimensional front adjustment



Ordering information

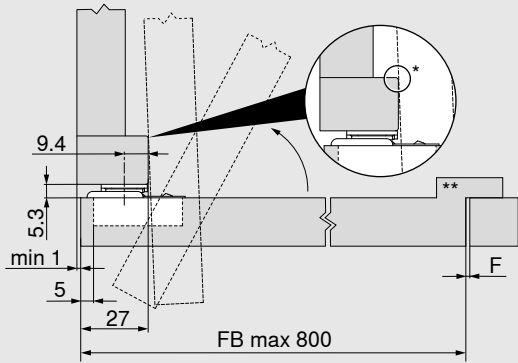
Screw-on hinge			
	<input type="checkbox"/>	Screw-on	
Hinge	Spring	Colour	
COMPACT	●	NI	38B355AF22

- With spring
- NI Nickel plated

Accessories		
	<input type="checkbox"/>	Chipboard screw
Ø (mm)	Length (mm)	
3.5	15	609.1500
3.5	17	609.1700

Planning

Inward opening furniture door



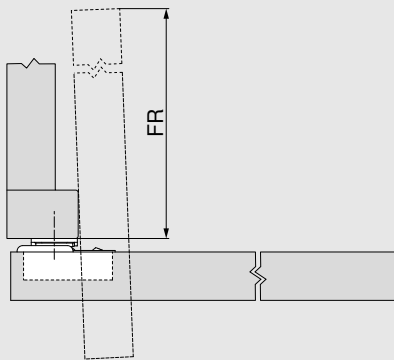
Hinge dimensions and gap calculation based on factory setting
* prevent collision

F Due to the size of the door, we recommend min 2 mm gap on all four sides.

** A door stop must be fitted to the side opposite the hinges when implementing an inward opening door (installed by furniture manufacturer). This ensures that the door cannot be misused and opened outwards.

FB Front width

Inward door projection



FR = Front width - 48

FR Inward door projection

Number of hinges

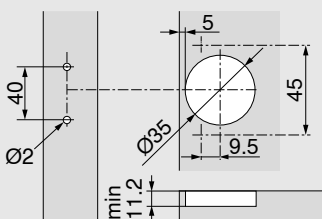
- Door weight up to 22 kg: 5 hinges
- Door weight up to 27 kg: 6 hinges
- Door weight up to 32 kg: 7 hinges

Application is tested with 80.000 opening and closing cycles

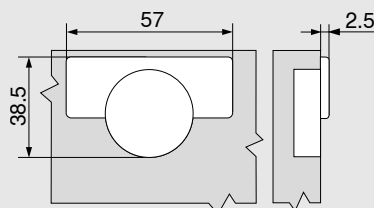
Note

If COMPACT 38B is used in furniture that can be accessed or reached by small children, we recommend "Door opening inward with CLIP top BLUMOTION I CLIP top 110°".

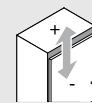
Screw-on assembly



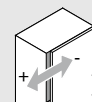
Hinge boss dimensions



Adjustment



max. ± 2.0 mm



± 1.6 mm

Julius Blum GmbH
6973 Höchst, Austria
Tel.: +43 5578 705-0
Fax: +43 5578 705-44
E-mail: info@blum.com
www.blum.com

Our sites in Austria, Poland and China are certified to the international standards mentioned below.
Our site in the USA is certified to ISO 9001.
Our site in Brazil is certified to ISO 9001, ISO 14001 and ISO 45001.



ISO 9001
Certified Quality
System



ISO 14001
Certified Environmental
System



ISO 50001
Certified Energy
System

 **blum**®



Look for our
FSC™-certified
products

All content is copyrighted by Blum.
Subject to technical modifications and changes to the range without notice.
TD-147/3 EN-AL/06.24