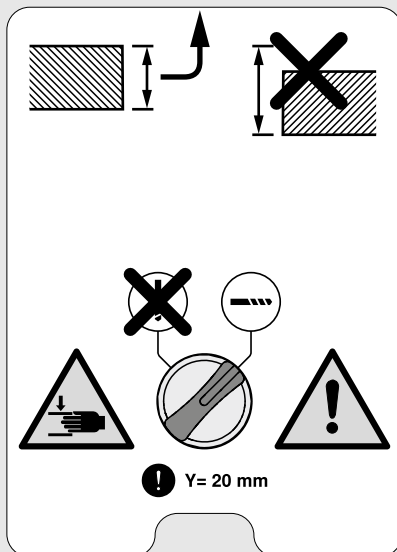
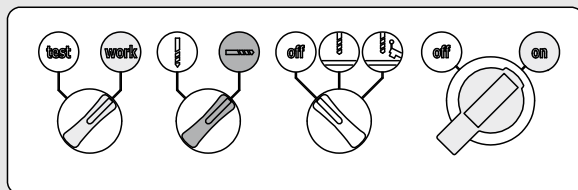


# M75.2200.2NIEDH



1



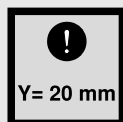
DE: Stellen Sie den Wahlschalter Bohrmodus auf Horizontal bohren.

EN: Set the drilling mode selector switch to horizontal drilling.

ES: Coloque el selector de modos de taladrado en «Taladrado horizontal»

FR: Positionner le sélecteur de mode de perçage sur Perçage horizontal.

IT: Posizionare l'interruttore modalità di foratura su foratura orizzontale.



DE: Die Ausladung (Y-Maß) darf nicht über 20 mm sein.

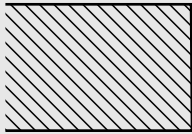
EN: The depth (Y measurement) may not be over 20 mm.

ES: La descarga (medida Y) no debe ser mayor que 20 mm.

FR: La portée (cote Y) doit être supérieure à 20 mm.

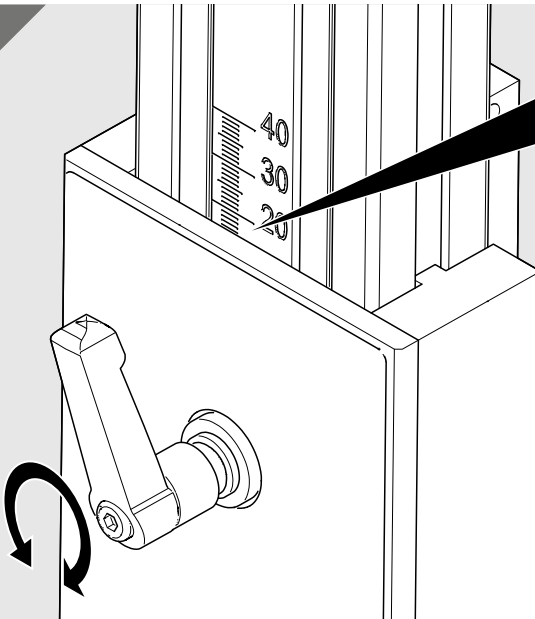
IT: Lo sbraccio (dimensione Y) non deve superare i 20 mm.

2



DE: Materialstärke  
EN: Board thickness  
ES: espesor del material  
FR: épaisseur du panneau  
IT: spessore ripiano

3



DE: Materialstärke  
EN: Board thickness  
ES: espesor del material  
FR: épaisseur du panneau  
IT: spessore ripiano

Julius Blum GmbH  
Furniture Fittings Mfg.  
6973 Höchst, Austria  
Tel.: +43 5578 705-0  
Fax: +43 5578 705-44  
E-mail: [info@blum.com](mailto:info@blum.com)  
[www.blum.com](http://www.blum.com)

Our sites in Austria, Poland and China are certified  
to the international standards mentioned below.  
Our site in the USA is certified to ISO 9001.  
Our site in Brazil is certified to ISO 9001 and ISO 14001.



**ISO 9001**  
Certified Quality  
System



**ISO 14001**  
Certified Environmental  
System



**ISO 50001**  
Certified Energy  
System

**blum**®



Look for our  
FSC™-certified  
products

BAU0204859648 · IDX: 02 · IDNR: 01371852 · BZ-074/0ML · 03, 23 · © Copyright by Blum