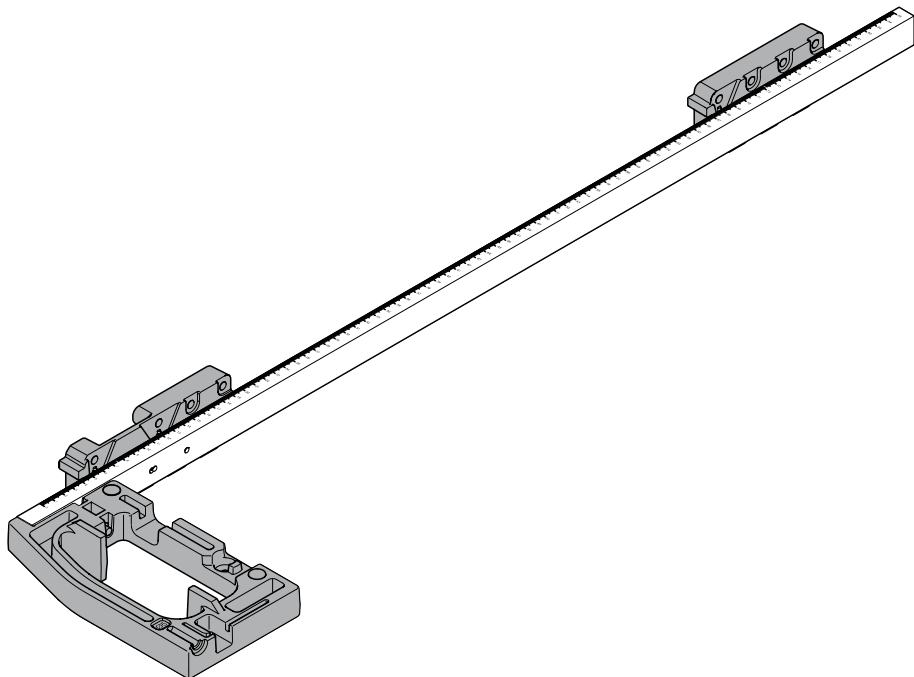
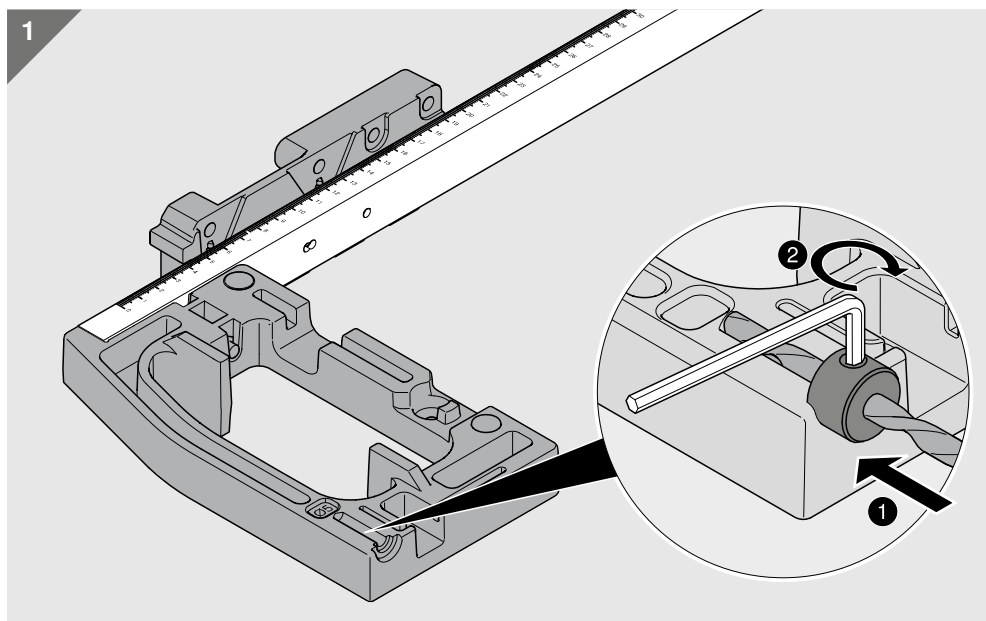
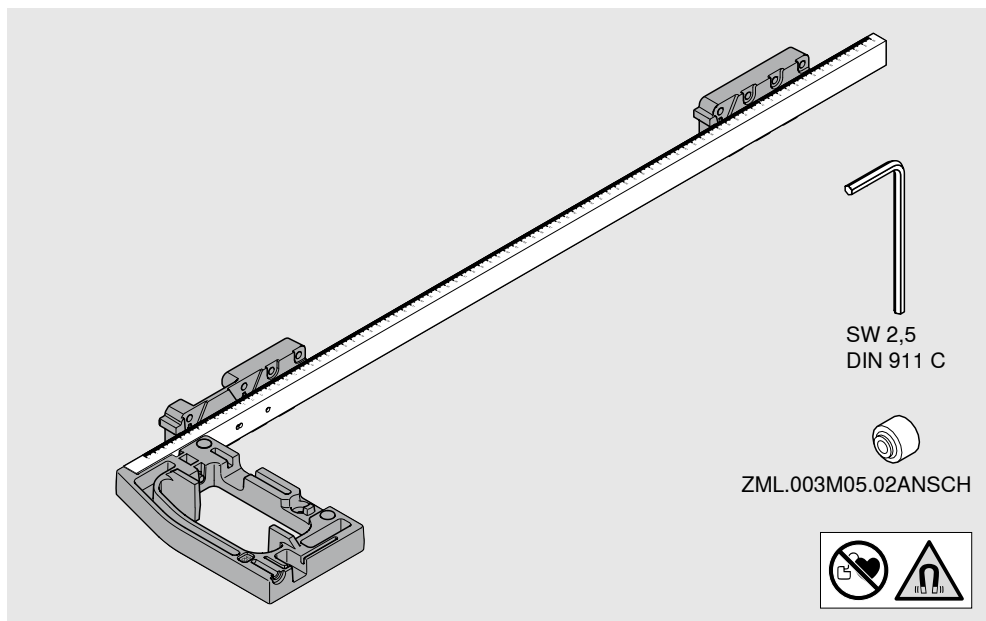


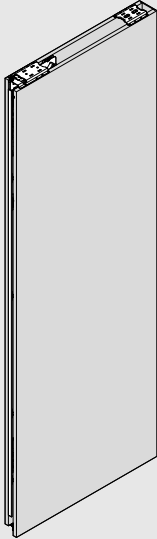
ML



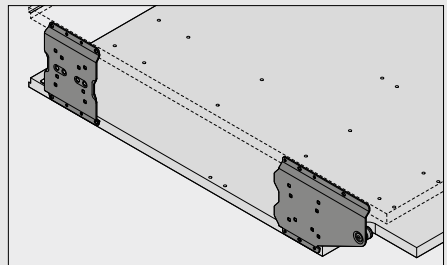
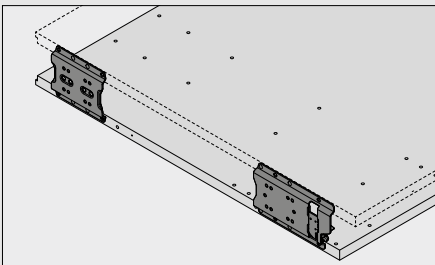
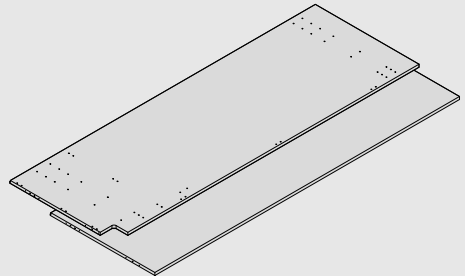
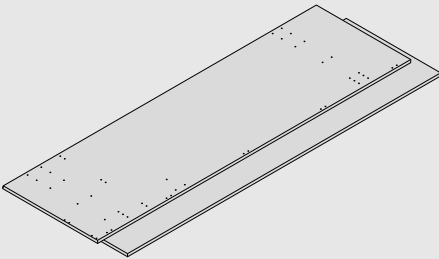
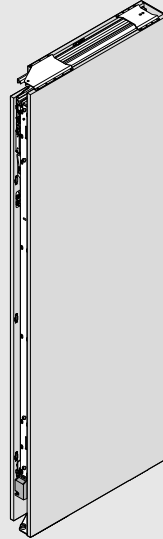
**STL.8000**



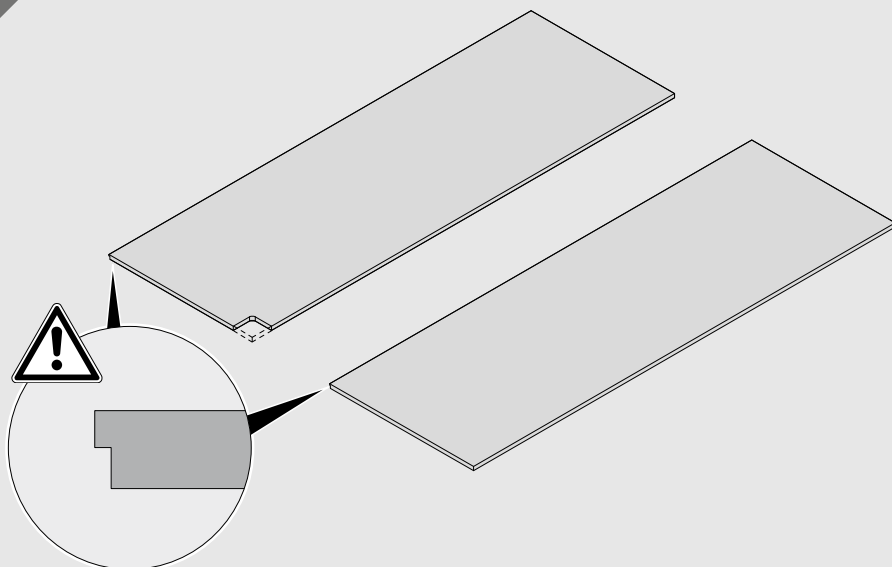
REVEGO uno



REVEGO duo

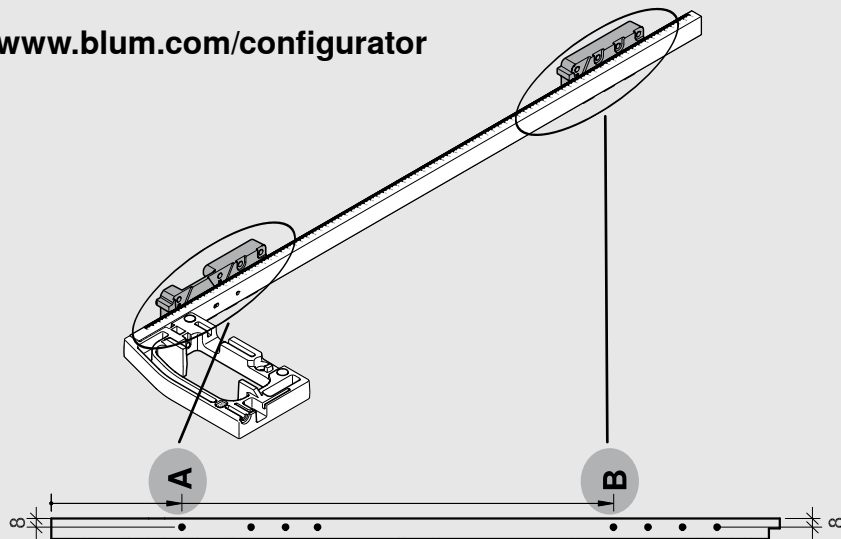


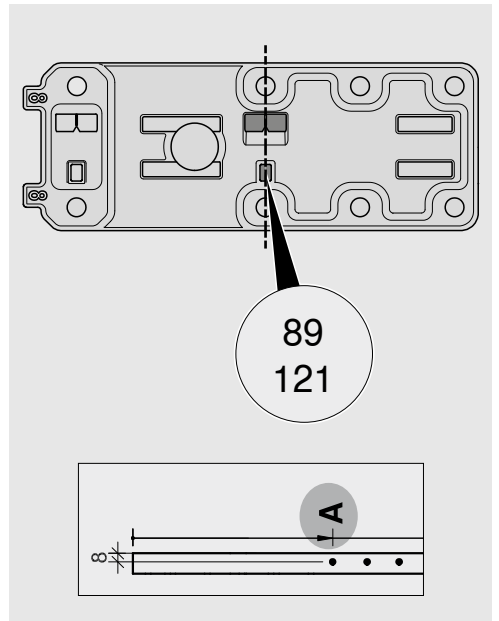
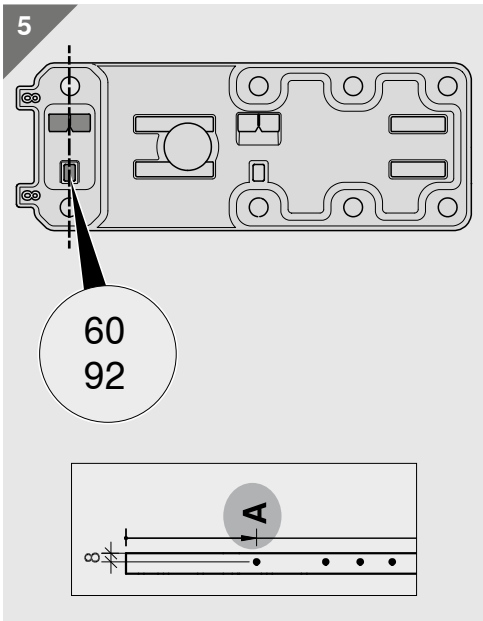
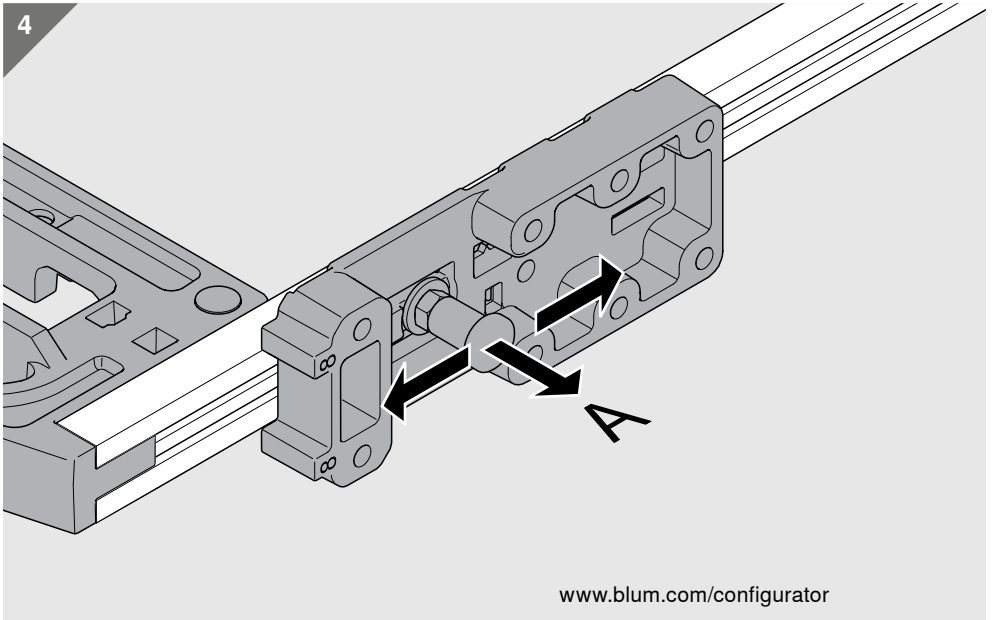
**2**

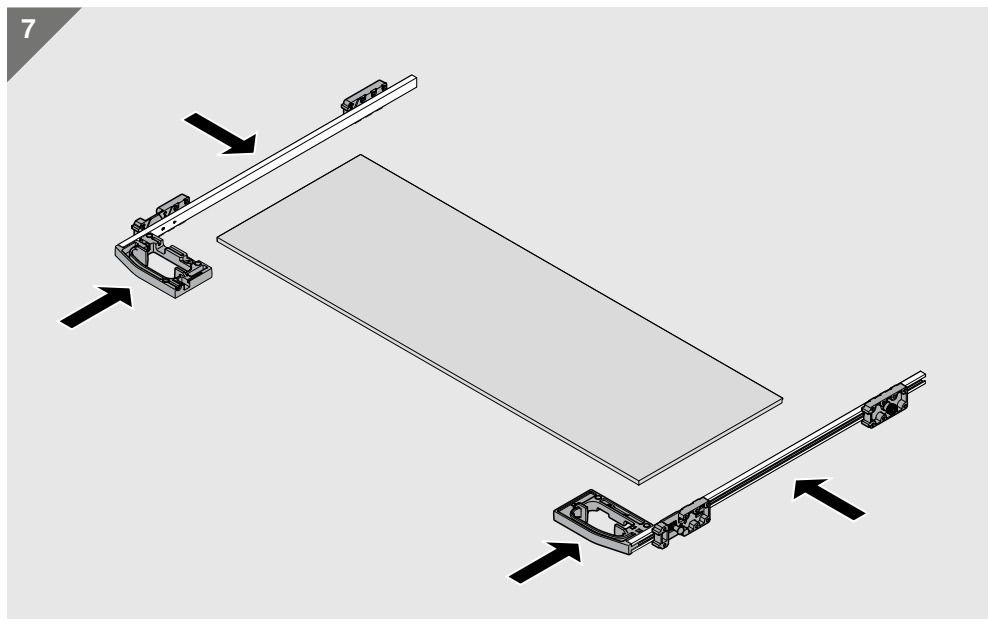
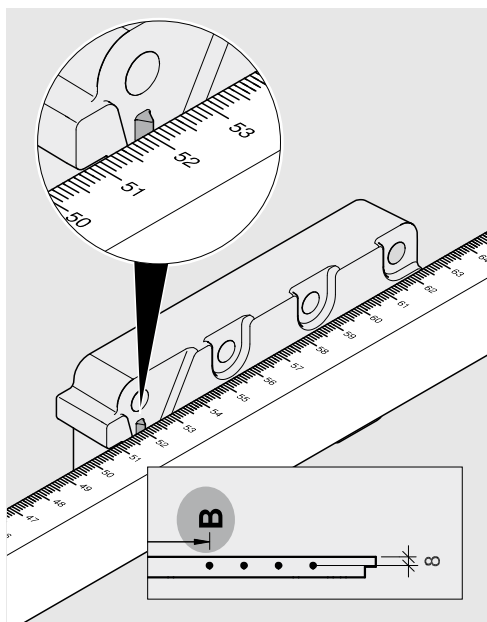
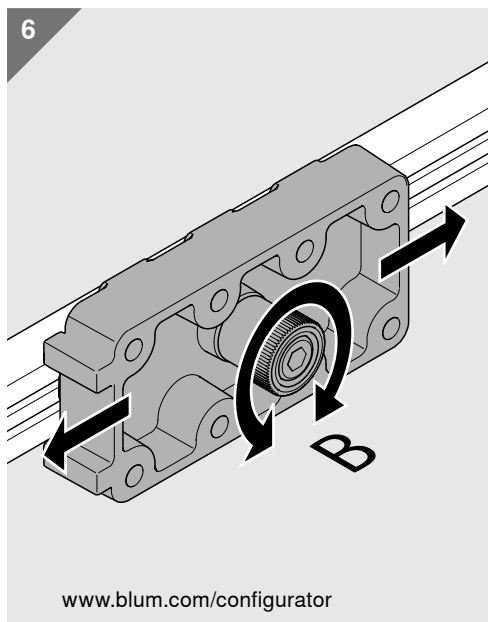


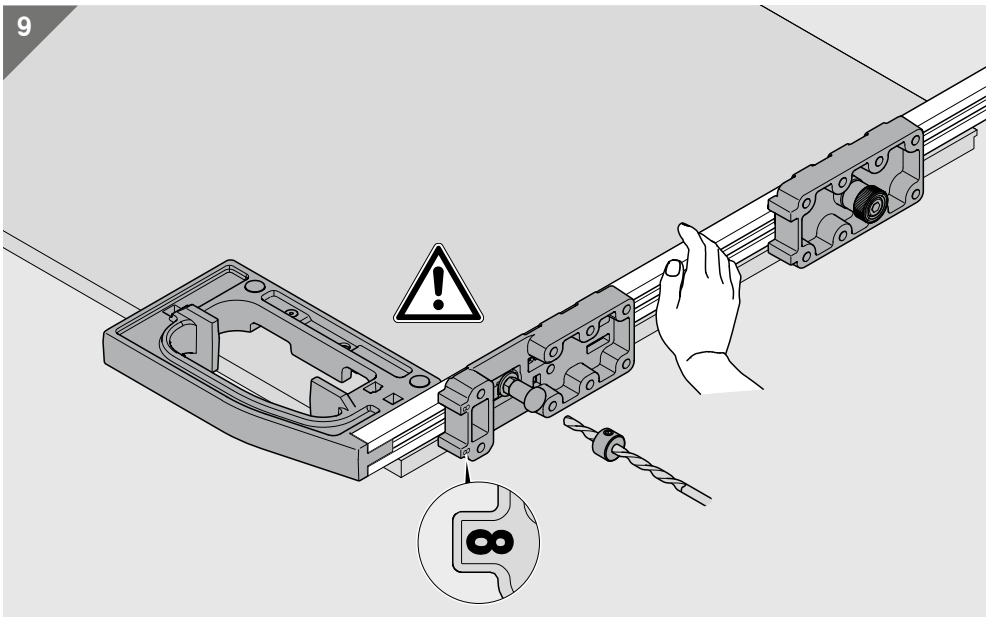
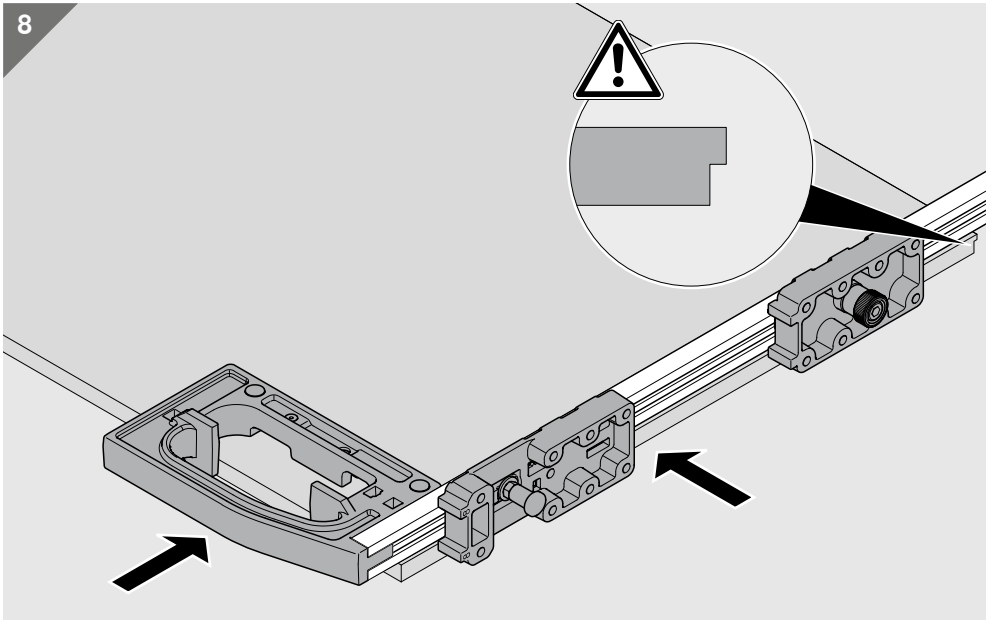
**3**

[www.blum.com/configurator](http://www.blum.com/configurator)

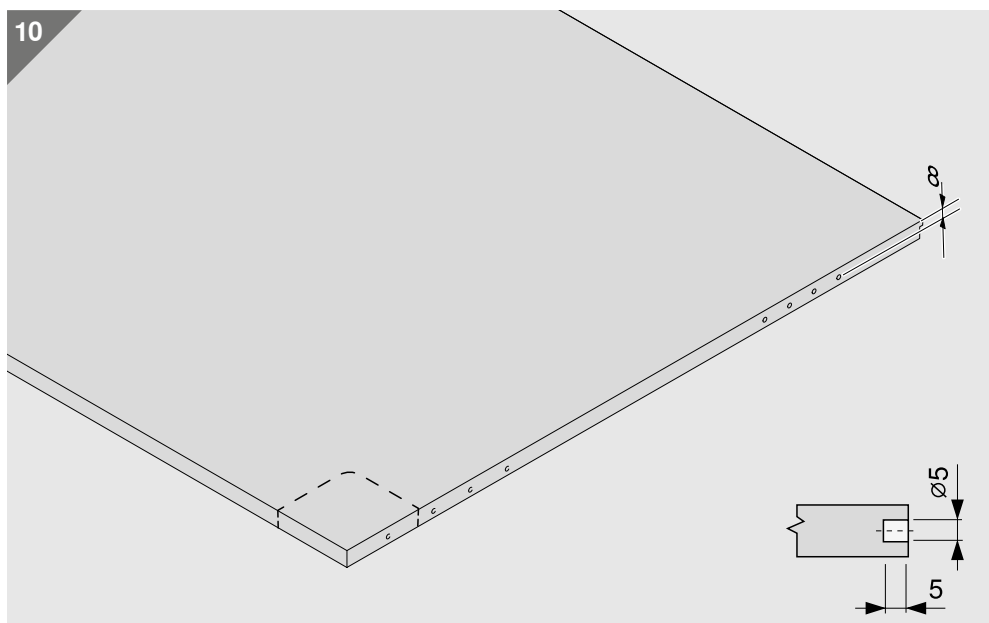




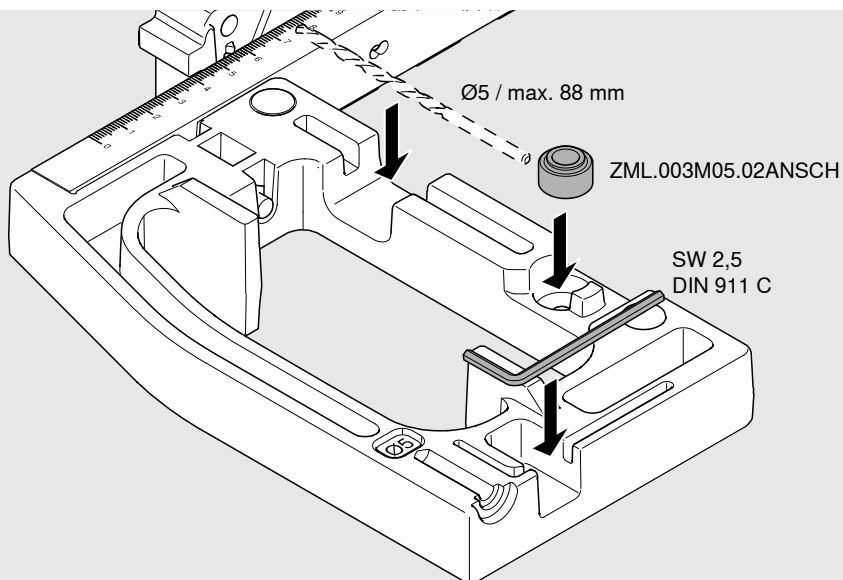




10



11











Julius Blum GmbH  
Furniture Fittings Mfg.  
6973 Höchst, Austria  
Tel.: +43 5578 705-0  
Fax: +43 5578 705-44  
E-mail: [info@blum.com](mailto:info@blum.com)  
[www.blum.com](http://www.blum.com)

Our sites in Austria, Poland and China are certified  
to the international standards mentioned below.  
Our site in the USA is certified to ISO 9001.  
Our site in Brazil is certified to ISO 9001 and ISO 14001.



**ISO 9001**  
Certified Quality  
System



**ISO 14001**  
Certified Environmental  
System



**ISO 50001**  
Certified Energy  
System

**blum**®



Look for our  
FSC™-certified  
products

BAU0195999433 · IDX: 13 · IDNR: 02884399 · BA-211/0ML · 11.23 · © Copyright by Blum