

Nothing less than everything: AVENTOS HKi



Discover hidden forces

What if the beauty of a stay lift came from the outside and the force from within? Thanks to its narrow and compact design, AVENTOS HKI can be fully integrated into the cabinet side. The stay lift fitting blends seamlessly into the furniture and opens up new design possibilities with high aesthetic quality. You get pure and unadulterated furniture with complete design freedom. Nothing less than everything.





Contents

- 4 Visible elegance
- 6 Applications
- 10 Design possibilities
- 12 Quality of motion
- 14 moving ideas



Visible elegance meets concealed sophistication

AVENTOS HKi is unique in that it blends seamlessly into furniture, regardless of type of front. So even if you use wall cabinet fronts with clear glass inserts, it will be concealed from view when the cabinet is closed. When open, lever arms emerge in onyx black. They merge beautifully with dark surfaces or create visual impact in light-coloured furniture.



Watch the promotional trailer
and find out more here:

www.blum.com/aventoshki



Elegant presentation

A cabinet is much more than a storage place for useful items. With attractive glass fronts, it is a presentation area for everything special. No matter the room, AVENTOS HKi is always an eye-catcher with which you can effortlessly impress your guests.



Minimalist design

Of course, the kitchen is a work area which should be designed as practically as possible. However, that doesn't mean that you can't set an example for exceptional design. If you like minimalist style, you will love the integrated AVENTOS HKi fitting. Everything is possible – ergonomics combined with minimalist design!

All AVENTOS benefits included

- Enhanced ease of use of wall cabinet
- Easy access to storage items
- Variable stop ensuring that front will hold in desired position
- Full freedom of movement
- Perfect alignment of base unit and wall cabinet gaps
- Increased quality and functionality of the furniture





Side panel thickness

16-25 mm

AVENTOS HKi is so compact that it will fit into cabinets sides that are just 16 mm thick. You are also spoiled for choice when it comes to cabinet dimensions. All standard dimensions are covered: for cabinets up to 600 mm high and 1800 mm wide.



A world full of possibilities



Be it fronts made from wood, MDF, glass with narrow or wide alu frames, or more unusual materials such as concrete or ceramic – with AVENTOS HKi, your design possibilities are limitless.

Easy opening, soft and effortless closing

Motion technologies by Blum deliver enhanced user convenience to AVENTOS HKI. The TIP-ON mechanical opening system gives you one-touch opening. And fronts will close softly and effortlessly with BLUMOTION which is integrated in the lift mechanism.





BLUMOTION
by Blum

TIP-ON
by Blum



moving ideas

We believe that ideas can move the world. We offer innovative fittings, inspiring furniture concepts and appropriate services so that you can turn your creative ideas into reality. We are driven by your needs, international trends and our shared vision of a better quality of living. Let us work together to create moving ideas.



Quality of living

We would like you to enjoy greater convenience and functionality when using furniture.



Product range

Everything from a single source: our wide range of products allows you to keep up with today's and tomorrow's trends.



Inspiration

We monitor global trends and strive to create the solutions of tomorrow. We like to share our insights with you.



Innovation

We stay in motion. Curiosity and pioneering spirit drive us to develop new products and services for you.



Services

We support your daily operations with customised services tailored to your processes.



Quality

We continuously strive to improve our products, services and ourselves.



Trust

We take responsibility for partnerships, our employees, society and the environment.

Julius Blum started our journey in 1952 with horseshoe studs. Today we supply innovative fittings to customers in over 120 countries.



**Let your visions
be bold and believe
that the glass
is never empty.**



Nothing less than everything: AVENTOS HKi





Making space for creativity

Sometimes you have to take away to get more. With AVENTOS HKi, it's about removing 750 cubic cm of material from a cabinet side. What you get is enormous design freedom to realise new cabinet ideas with stay lift fronts. 750 cubic cm doesn't sound like much and is roughly equivalent to a glass of sawdust. And yet it is quite a challenge. For you, it's about creating the recess in the cabinet side. For us, about fitting a complex mechanism packed with functions and convenience into a small space. We've done our bit: Our developers have put all their passion and creativity into the design of the new fitting. And we've thought about your bit, too. We offer a wide range of options for manufacturing and installing our concealed lift system: a special assembly device, pre-routed raw boards or templates for routing out recesses yourself. It's never been easier to take away and get more!



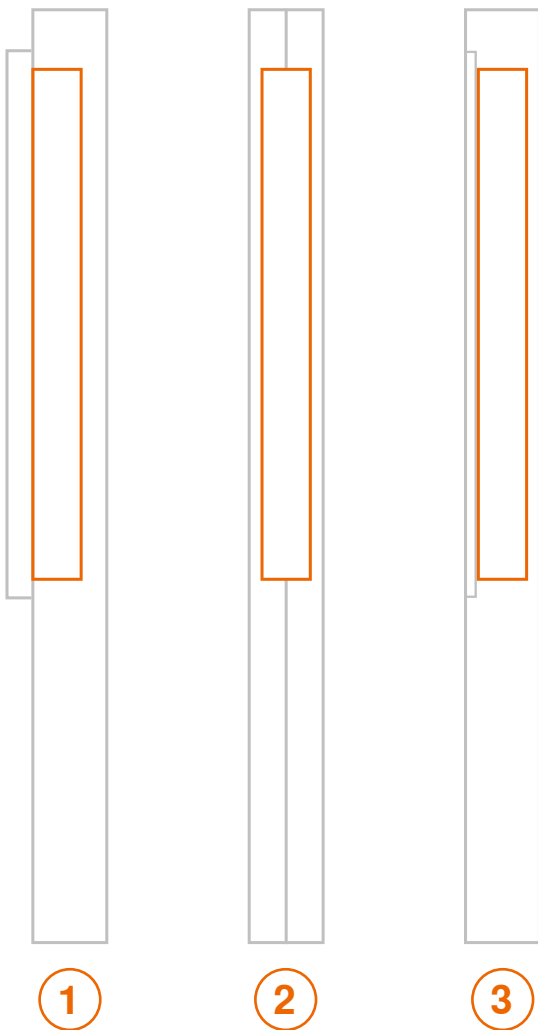
Contents

- 4** Manufacturing
- 8** Installation
- 12** Ordering information
- 17** Services

Choose the right manufacturing process for you

If you prefer to work in your own workshop using a CNC machine or router, you can choose from a wide range of manufacturing options to implement AVENTOS HKi. You can opt for a semi-integrated application with a cover cap ① or a variety of fully integrated applications, e.g. using a two-piece panel ② or multi-stage milling with insert panel ③.

There are even more options to choose from to suit your manufacturing preferences. Please get in touch with your Blum contact.



Customisation with cover caps

It is very easy to add customised branding with the semi-integrated application of the lift mechanism ①. Simply route a recess in the surface of the side panel, insert AVENTOS HKi with a matching-coloured cover cap and add the desired branding element, and that's it!



Templates for precise routing

We have not only developed a special copy router but also various routing templates so that you can precisely route a recess in the side panel for the lift mechanism and insert panel ③.





Pre-routed raw boards set

Do you prefer to outsource as many work steps as possible? Then simply order an MDF raw boards set which already has the central recess for AVENTOS HKi. Cut the raw board measuring 600 mm x 450 mm x 19 mm to your desired size and attach facings or varnish the raw board according to your requirements. A spacer is inserted in the recess, providing protection during transportation and making assembly easier for you.

Milling with MINIMILL

Would you like to manufacture AVENTOS HKi in larger quantities? We have developed a special machine called MINIMILL which allows you to route a central recess in side panels that are 16-25 mm thick quickly and precisely.





Slide-in

Step 1: Slide the lift mechanism completely into the recess.

Slide-in, secure, clip on

Everything has been carefully considered: the installation of AVENTOS HKi is very convenient. Simply insert the lift mechanism into the central recess. The lift mechanism is secured by means of a feed-out system with the turn of a screw. Clip on the front and use the three dimensional adjustment feature to produce perfect gap alignment. The cabinet will remain intact should removal ever be required.



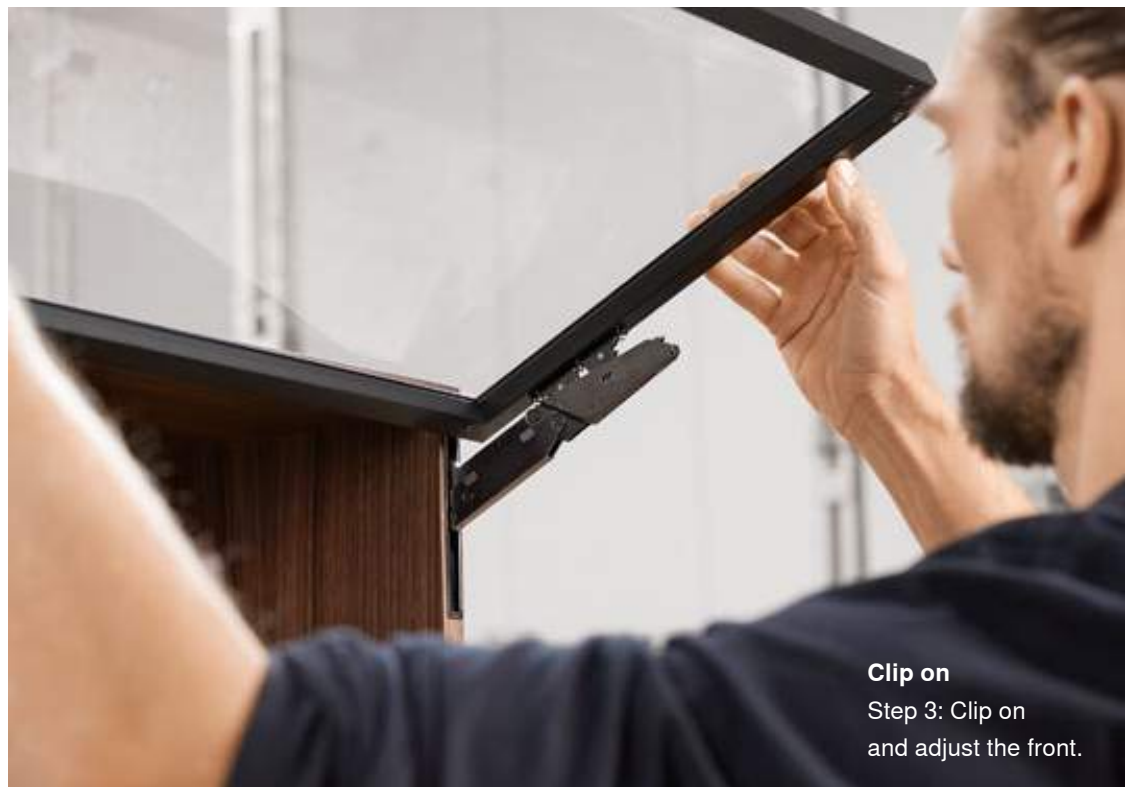
Watch the assembly video here:

www.blum.com/hkiassembly



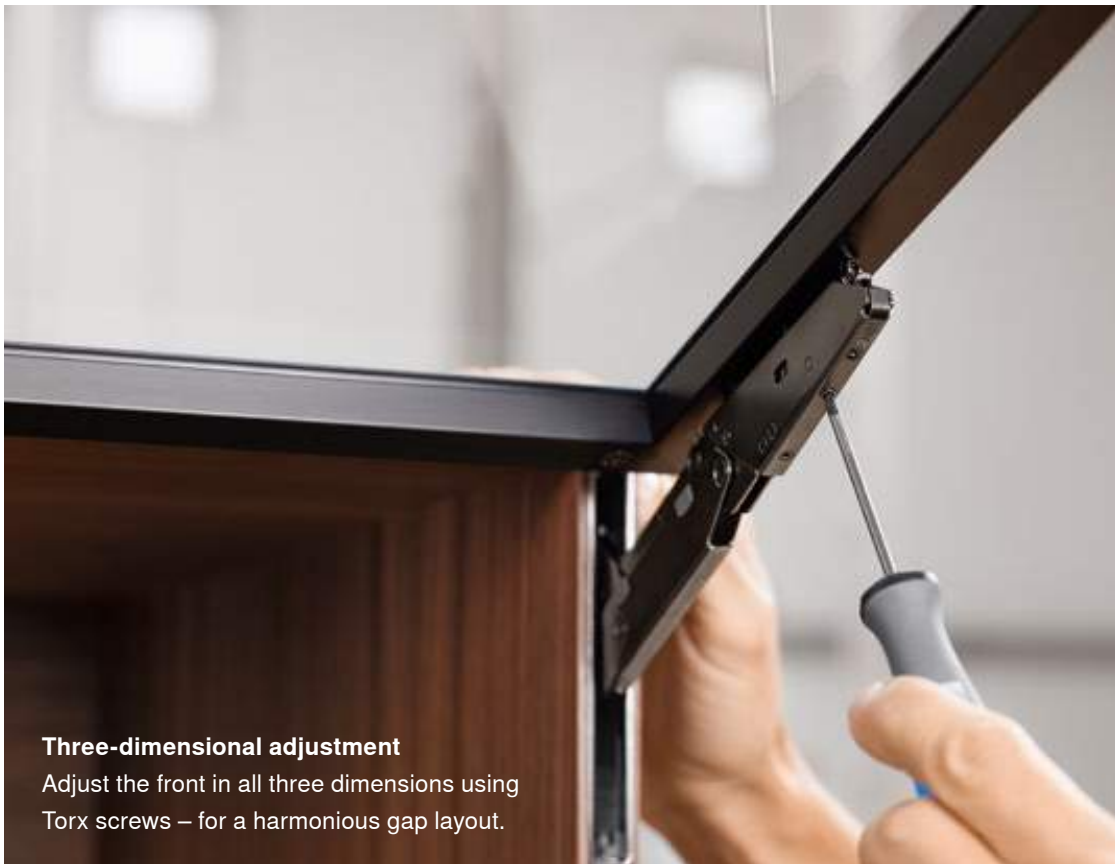
Secure

Step 2: Turn the screw until the lift mechanism is secured in the cabinet.



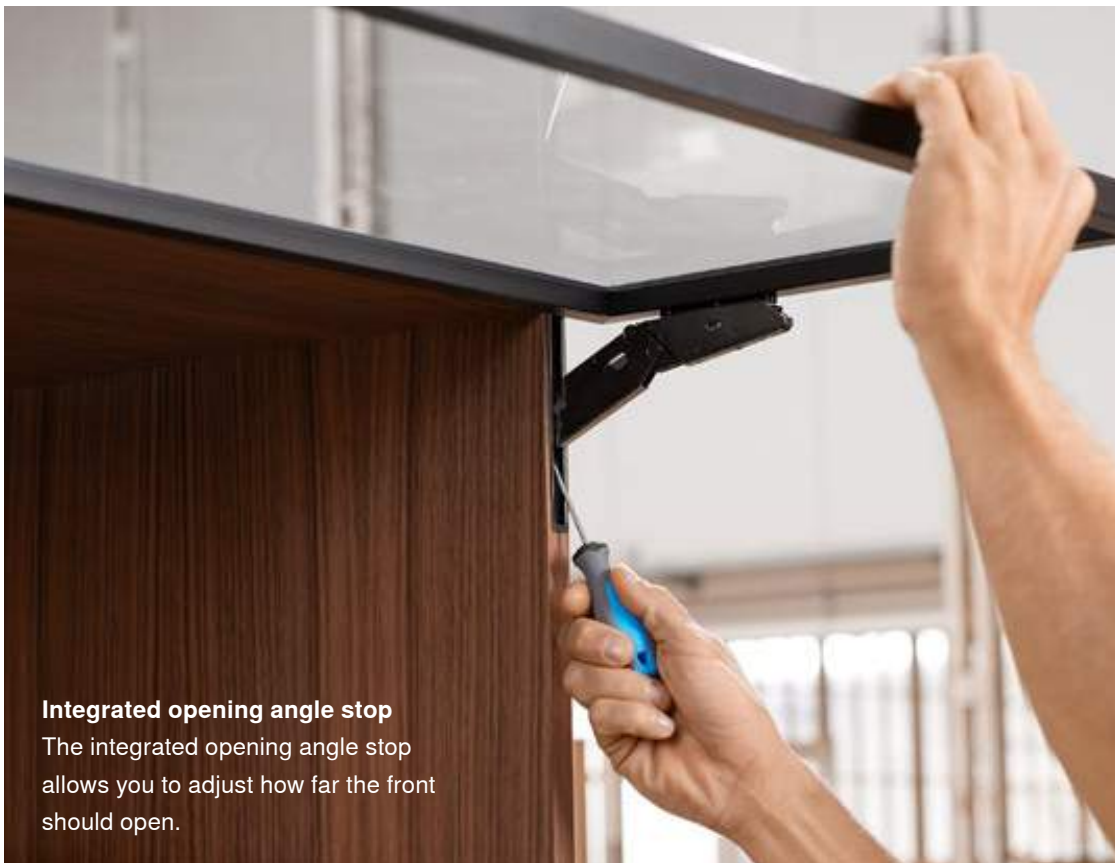
Clip on

Step 3: Clip on and adjust the front.



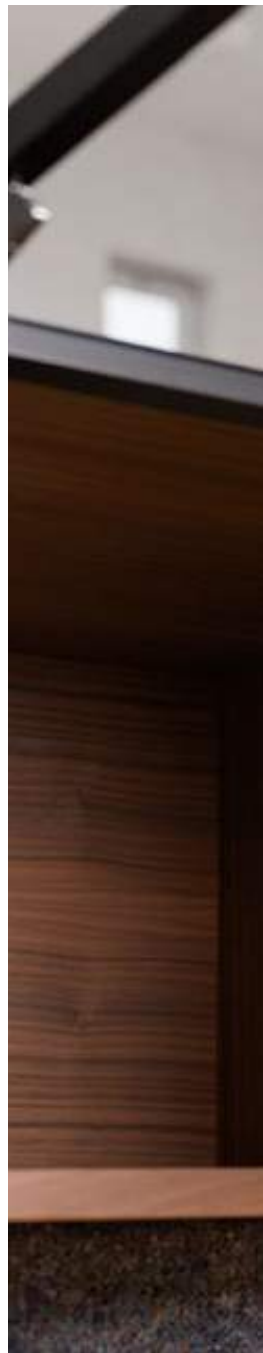
Three-dimensional adjustment

Adjust the front in all three dimensions using Torx screws – for a harmonious gap layout.



Integrated opening angle stop

The integrated opening angle stop allows you to adjust how far the front should open.



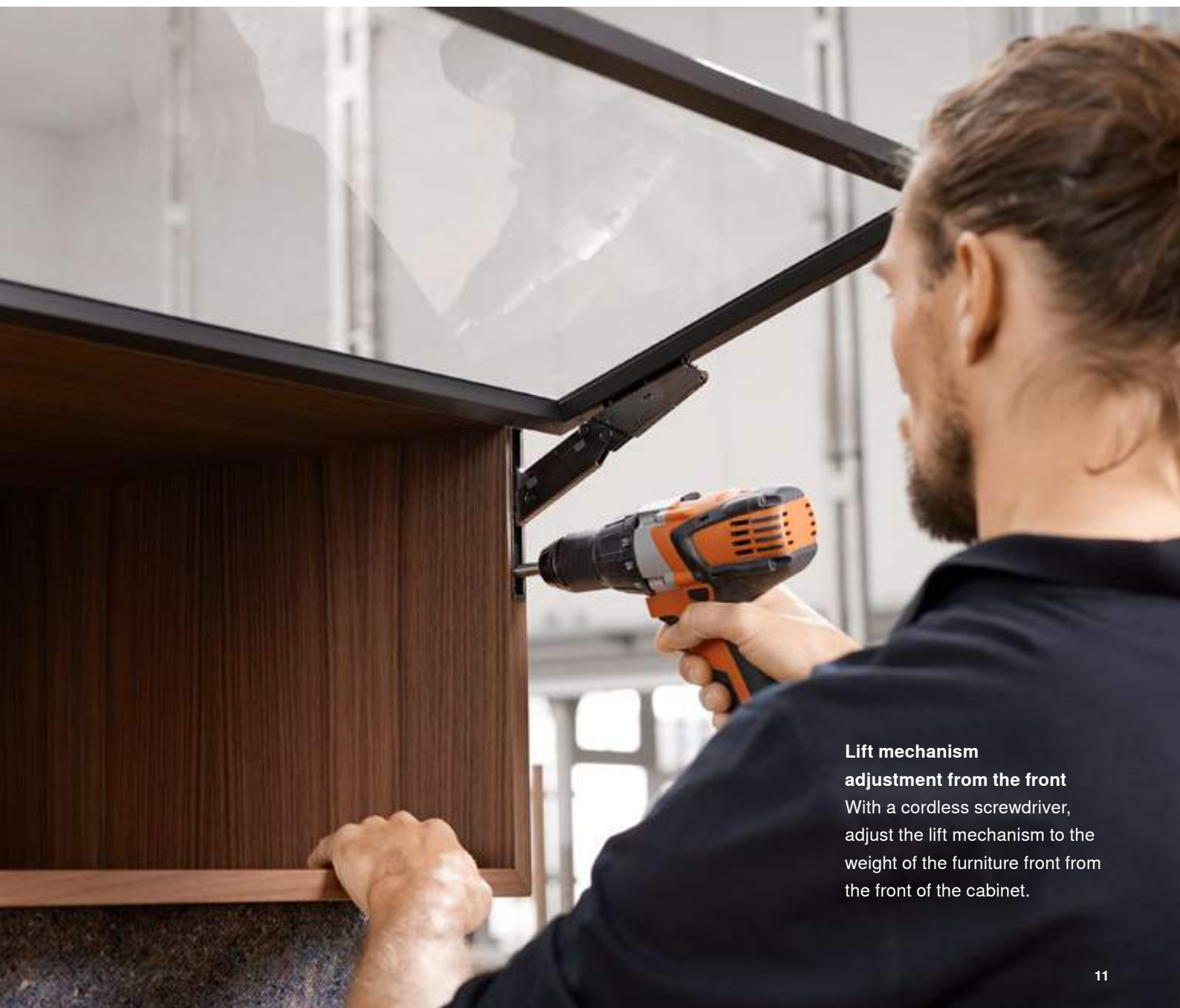
Familiar ease of installation

AVENTOS HKi offers all the convenience that you are used to from installing AVENTOS fittings. Despite its compact and narrow design, the fitting has all the familiar functionalities: lift mechanism adjustment from the front, integrated opening angle stop and three dimensional adjustment.



Our EASY ASSEMBLY app provides all the information you need for quick and easy installation and adjustment

www.blum.com/eaapp

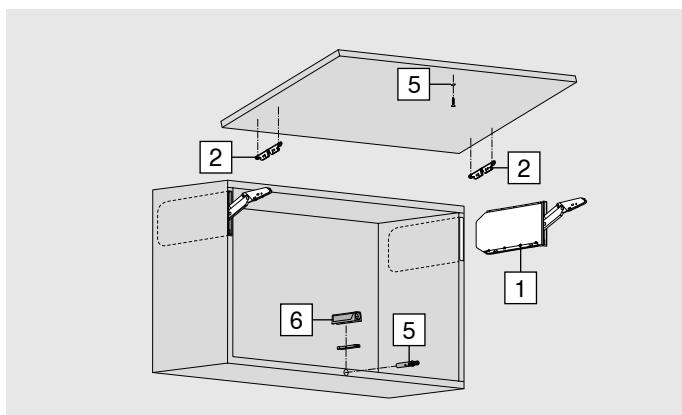


Lift mechanism adjustment from the front

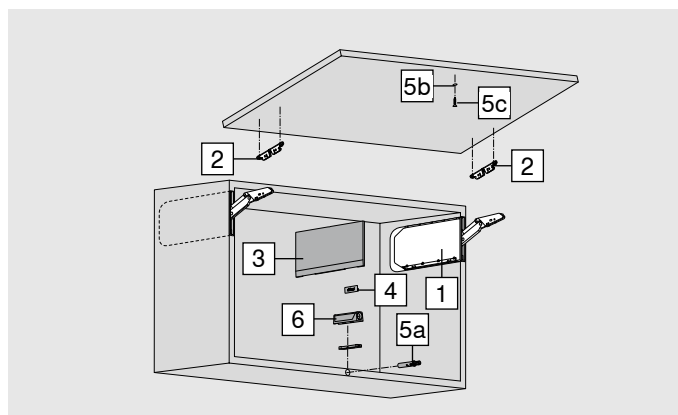
With a cordless screwdriver, adjust the lift mechanism to the weight of the furniture front from the front of the cabinet.

Ordering information

Fully integrated lift mechanism installation



Semi-integrated lift mechanism installation



| 1 | Lift mechanism set | | |
|--|--|------|---------|
| | LF | OW | |
| | 420–1610 | 107° | 24K2300 |
| | 930–2800 | 107° | 24K2500 |
| | 1730–5200 | 107° | 24K2700 |
| | 2600–7800 | 107° | 24K2800 |
| Consisting of: | | | |
| 2 x | Symmetrical lift mechanism in onyx black | | |
| LF | Power factor | | |
| OW | Opening angle (infinitely variable adjustment) | | |
| Note: Max. front weight 18 kg with two lift mechanisms! | | | |

| 1 | Lift mechanism set for TIP-ON | | |
|-----------------------|--|------|----------|
| | LF | OW | |
| | 420–1610 | 107° | 24K2300T |
| | 930–2800 | 107° | 24K2500T |
| | 1730–5200 | 107° | 24K2700T |
| | 2600–7800 | 107° | 24K2800T |
| Consisting of: | | | |
| 2 x | Symmetrical lift mechanism in onyx black | | |

i Power factor (LF) = cabinet height (KH) [mm] x front weight incl. double handle weight [kg]

Using the power factor, you can calculate the number of required lift mechanisms. The power factor required depends on the weight of the front (incl. double the handle weight) and cabinet height. When using a third lift mechanism (a power factor increase of up to 50%), we recommend a trial application. **Note:** We recommend an additional lift mechanism attached to the centre panel for wide cabinets. The reason for this is to prevent the front from sagging when open. A trial application is recommended when you are in a borderline area of the individual lift mechanism!

| 2 | Symmetrical front fixing bracket | | |
|---|----------------------------------|-----|----------|
| | Colour | | |
| | Onyx black | | |
| | Fixing method | | |
| | EXPANDO 5 mm | 2 x | 24K42E1 |
| | Version | | |
| | Narrow and wide alu frames | 2 x | 24K4201A |

| 4 | Branding element (optional) | | |
|--|-----------------------------|---------------|-------------|
| | Material | | |
| | Nylon | | |
| | | Colour | |
| | | SW-M, TGR | IN-G |
| Printed * | 2 x | ABD.1000.BL | ABD.1009.BL |
| Customised, printed branding element – starting from 1000 pcs | | | |
| Embossed * | 2 x | ABD.1000.BT | ABD.1009.BT |
| Customised, embossed branding element – starting from 5000 pcs | | | |
| Plain | 2 x | ABD.1000 | ABD.1009 |
| * With Blum logo | | | |

| 3 | Cover cap set | | |
|--|---|--------------|---------|
| | Material | | 24K8000 |
| | Nylon | HGR, SW, TGR | |
| | Branding element stamped with Blum logo in in-mould brushed stainless steel ABD.1009.BT pre-mounted | | |
| Required for the semi-integrated lift mechanism installation only | | | |

Required for the semi-integrated lift mechanism installation only

| | | | |
|--|-------------------|-------------------------------|-----------------|
| | TIP-ON Set | | |
| | For drilling | Material | Colour |
| | | Nylon | SW, CS, R7036 |
| | Version | Cabinet height KH (mm) | |
| | Short version | Up to 600 | 956.1004 |

Consisting of:

| | | |
|-----------|-----|--------------------------|
| 5a | 1 x | TIP-ON |
| 5b | 1 x | Screw-on catch plate |
| 5c | 1 x | Chipboard screw 609.1500 |
| - | 1 x | Glue-on catch plate |

| | | | |
|--|--------------------------------|---------------------|-----------------|
| | Adapter plate | | |
| | Screw-on | Material | |
| | | Nylon | |
| | Straight adapter plate | | |
| | Version | Colour | |
| | Short version | SW, CS, R7036, NI-L | 956.1201 |
| | Cruciform adapter plate | | |
| | Version | Colour | |
| | Long version | R7036 | 956A1501 |

Assemble using Ø 3.5 mm or Ø 4 mm chipboard screws. TIP-ON must be ordered separately.

Colour

| | |
|-------|----------------------------------|
| HGR | Light grey |
| SW | Silk white |
| TGR | Dark grey |
| CS | Carbon black |
| R7036 | RAL 7036 platinum grey |
| NI-L | Nickel-lacquered |
| IN-G | In-mould brushed stainless steel |

Accessories

| | | |
|---|--|--|
| - | MINIMILL | |
| | For fully integrated lift mechanism installation with side panel thicknesses of 16–25 mm | |
| | | |

Consisting of:

| | | |
|---|-----|----------|
| - | 1 x | MINIMILL |
| - | 2 x | Chain |

| | | |
|---|------------------------|--|
| - | Optional for MINIMILL | |
| | Chain | |
| | Extension ruler | |

Optional

| | | |
|---|--|----------------|
| - | Raw boards set, pre-routed | |
| | 2x MDF raw boards 600 x 450 x 19 mm moisture resistant including spacers | |
| | Full integration | 24K7100 |

| | | |
|---|---|-----------------|
| - | Recess drill, 4 mm | |
| | To expose the central recess after facings have been applied to the raw board | |
| | Full integration | M45.ZF04 |

| | | |
|---|--|----------------|
| - | Routing templates set | |
| | Routing template for lift mechanism, routing template for insert panel, base plate | |
| | Full and semi-integration | 65.5840 |

| | | |
|---|---|-----------------|
| - | Copy router 19 mm | |
| | Ideal in combination with routing templates set | |
| | Full and semi-integration | M45.ZF19 |
| | Cutting insert set for copy router | |
| | 10x cutting inserts | M34.ZW50 |

| | | |
|---|---|-----------------|
| - | Spacer set | |
| | 2 pcs, as transport and assembly protection | |
| | Full integration | M45.1010 |

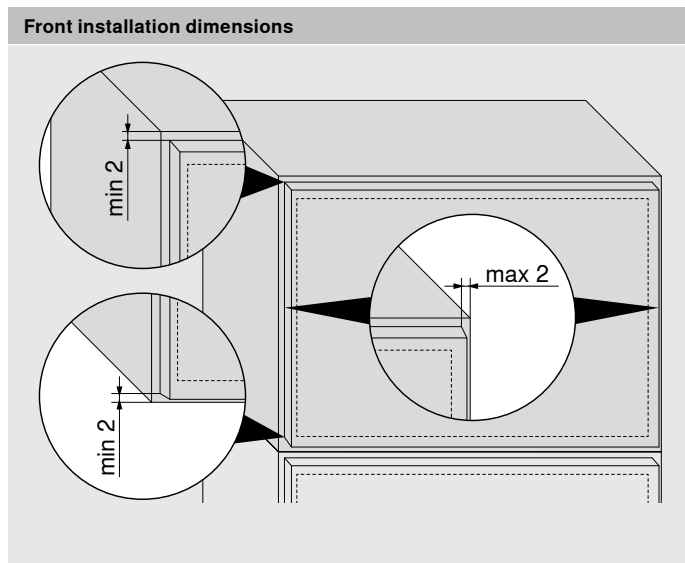
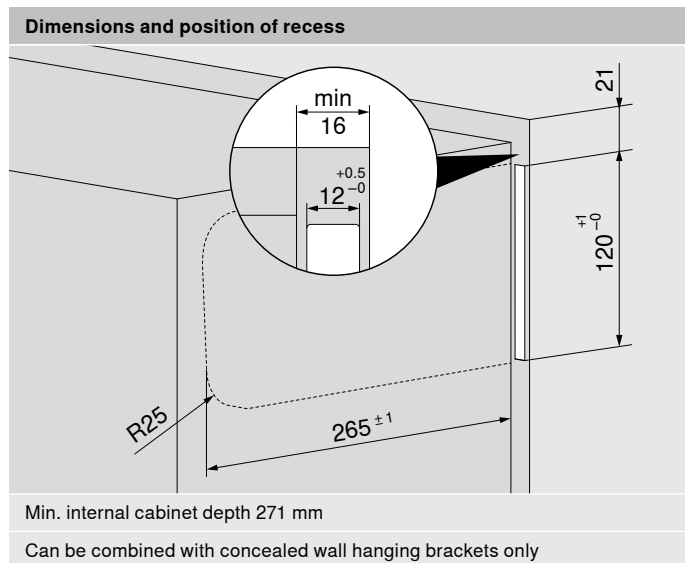


Our Product Configurator makes it easy for you to choose your products.

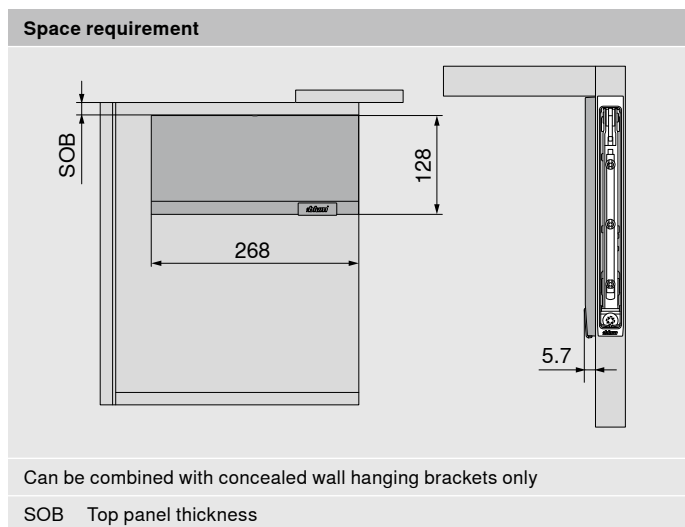
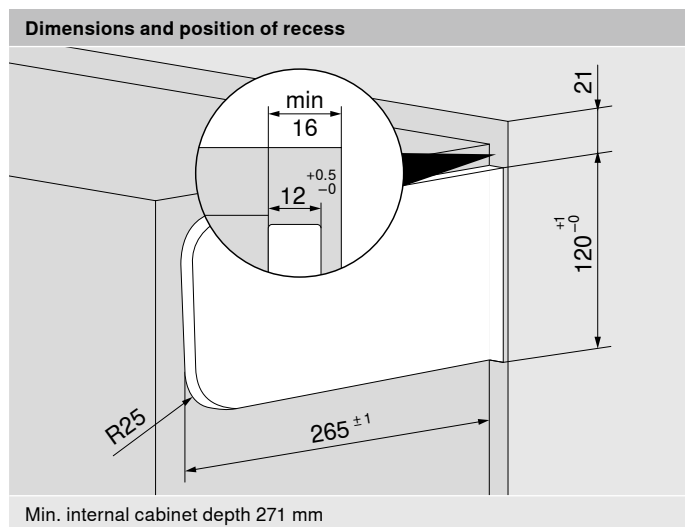
www.blum.com/configurator

Planning

Fully integrated lift mechanism installation



Semi-integrated lift mechanism installation



Configure AVENTOS HKi in the Cabinet Configurator with just a few clicks.

blum.com/cabinetconfig

Planning

Front assembly

Wooden fronts

Technical drawing for wooden front assembly. It shows a perspective view of a cabinet front with a wooden panel. Dimensions include a top gap of $53.5 - Fo$ and two 32mm offsets from the top edge. Formulas for side front overlay are $*SFA - SWD/2$ and $**SFA - 6$. A circular inset shows a cross-section of a hole with a diameter of $\varnothing 5$ and a depth of 12mm. Two small inset drawings labeled * and ** show different front panel configurations.

| | |
|-----|------------------------------|
| Fo | Top gap |
| SFA | Side front overlay |
| SWD | Cabinet side panel thickness |

Assembly diagram for wooden front. It shows a screwdriver tightening a screw into a metal bracket. The torque specification is $\text{max } 0.9 \text{ Nm}$. A T8 Torx bit is indicated in a box.

Narrow and wide alu frames

Technical drawing for narrow and wide aluminum frames. It shows a perspective view of a cabinet front with an aluminum frame. Dimensions include a top gap of $53.5 - Fo$ and two 32mm offsets from the top edge. Formulas for side front overlay are $*SFA - SWD/2$ and $**SFA - 6$. A circular inset shows a cross-section of a hole with a diameter of $\varnothing 2.0$ (for $x \leq 1.8 \text{ mm}$) and $\varnothing 2.2$ (for $x > 1.8 \text{ mm}$). Two small inset drawings labeled * and ** show different front panel configurations.

| | |
|-----|------------------------------|
| Fo | Top gap |
| SFA | Side front overlay |
| SWD | Cabinet side panel thickness |

Assembly diagram for narrow and wide aluminum frames. It shows a screwdriver tightening a screw into a metal bracket. The torque specification is $\text{max } 0.6 \text{ Nm}$. A T8 Torx bit is indicated in a box.

Corner connector for narrow and wide alu frames

Technical drawing for corner connector for narrow and wide aluminum frames. It shows a perspective view of a corner connector being attached to an aluminum frame. The maximum distance from the top edge is $\text{max } (50 - Fo)$.

| | |
|----|---------|
| Fo | Top gap |
|----|---------|

Planning

Space requirement

Space requirement – Cornice | Crown moulding

Space requirement (mm)

At max. opening angle

$Y \text{ max} = FH \times 0.29 - 32 + FD$

$A = FH \times 0.26 + 28 - FD$ with opening angle stop

| | | | | | | |
|----------------|----|----|----|----|----|----|
| FD (mm) | 16 | 18 | 19 | 20 | 22 | 26 |
| Z (mm) | 70 | 63 | 59 | 57 | 49 | 35 |

SOB Top panel thickness
 FD Front thickness
 FH Front height
 OW Opening angle

Minimum gap

Minimum gap MF is 2 mm



Our EASY ASSEMBLY app provides all the information you need for quick and easy installation and adjustment
www.blum.com/eaapp

Marketing

You will find professional photos, videos, brochures and presentations on AVENTOS HKi in the Marketing Media Library. Get some fresh inspiration and use our marketing material to persuade your customers in sales conversations.

Concept, planning, quotation

Plan, configure and save your AVENTOS HKi projects online with ease – with our free configurators. This enables you to obtain checked and complete parts lists for your customer quotes.

Design

The Cabinet Configurator helps you to design cabinets and displays them in 3D. You can find the corresponding AVENTOS HKi options using the integrated Product Configurator. Our CAD/CAM Data Service provides you with data in the most common formats for your design software.

Supporting you every step of the way

We at Blum will support you along the entire process chain – from marketing, planning and product selection right through to after sales service. Take advantage of our user-friendly services for your projects with AVENTOS HKi.

Ordering

Simply transfer your parts lists from the Cabinet and Product Configurator directly to your distributor's web shop. In order to speed up your AVENTOS HKi configurations, you can manage your different projects and templates with ease under "My projects" or "My library".

Manufacturing

Use our configurators and appropriate assembly devices to accelerate your production process. Use our templates or MINIMILL for AVENTOS HKi.

Installation

Do you want to install and optimally adjust our fittings? The EASY ASSEMBLY app for smartphones and tablets answers any questions you may have about assembly and adjustment. It contains installation instructions and videos for all our products.

After sales service

We are delighted to provide you with continued support after you purchase AVENTOS HKi. Your contact at Blum will be happy to answer any questions you might have about our products and services.



For more information about our services, go to:

www.blum.com/e-services

Julius Blum GmbH
Furniture Fittings Mfg.
6973 Höchst, Austria
Tel.: +43 5578 705-0
Fax: +43 5578 705-44
E-mail: info@blum.com
www.blum.com

Our sites in Austria, Poland and China are certified to the international standards mentioned below.
Our site in the USA is certified to ISO 9001.
Our site in Brazil is certified to ISO 9001, ISO 14001 and ISO 45001.



All content is copyrighted by Blum.
Subject to technical modifications and changes to the range without notice.
IDNR: 637.071.9 · EP-573/2 EN-AL/10.23



Look for our
FSC™-certified
products