

Realistic product images for your web shop



Showcase your product range
with high-quality item pictures

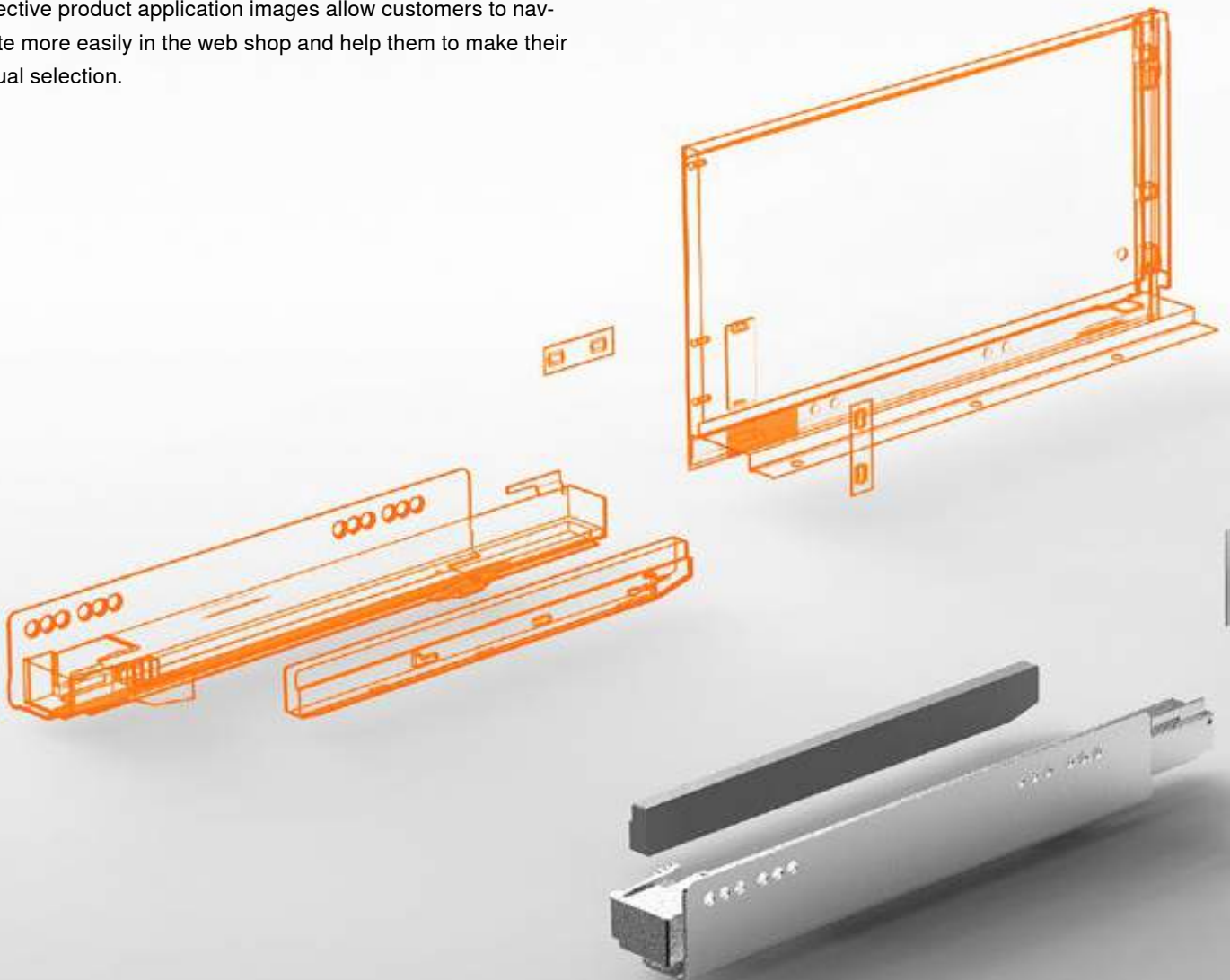


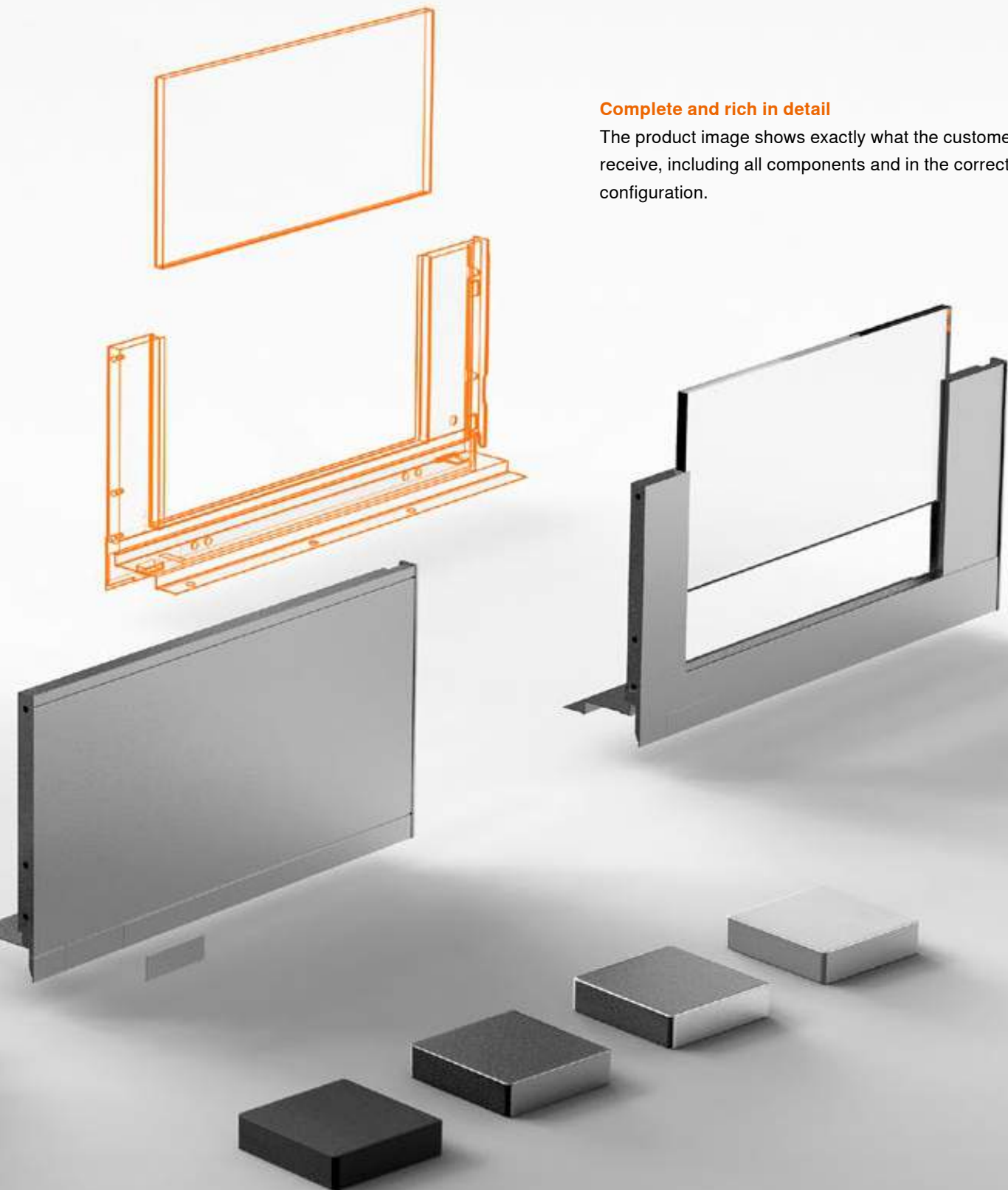
Use product images to show customers exactly what they will receive

We provide the right product application image for every item, whether an individual part or an entire set, in the right colour, in the correct dimensions and true to the actual product.

Visual product selection

Effective product application images allow customers to navigate more easily in the web shop and help them to make their visual selection.





Complete and rich in detail

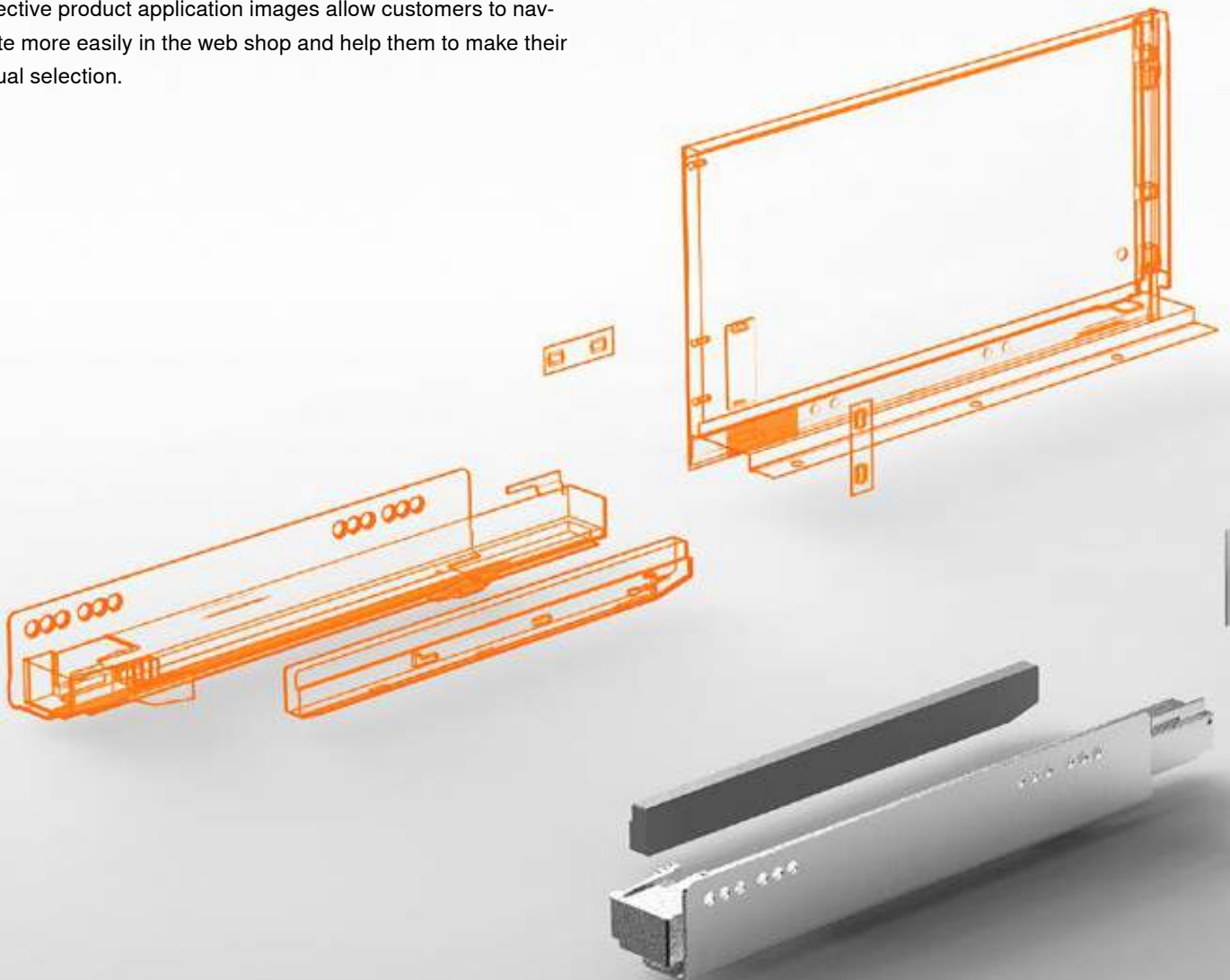
The product image shows exactly what the customer will later receive, including all components and in the correct colour and configuration.

Use product images to show customers exactly what they will receive

We provide the right product application image for every item, whether an individual part or an entire set, in the right colour, in the correct dimensions and true to the actual product.

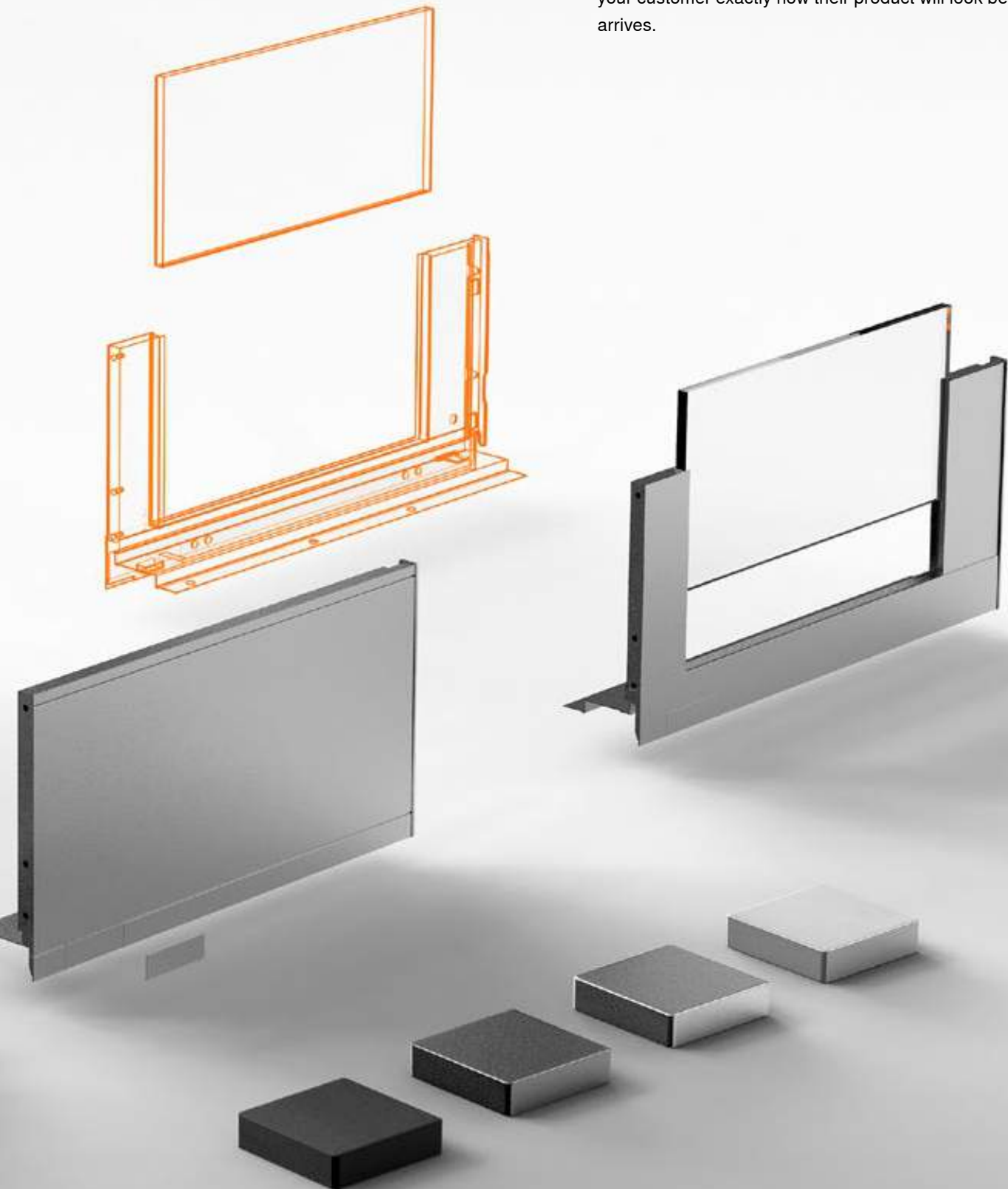
Visual product selection

Effective product application images allow customers to navigate more easily in the web shop and help them to make their visual selection.



Advantages

There is one key difference between web shops and conventional stores: the customer cannot inspect their desired product with their own eyes or hold it in their own hands. This is where our product application images come into their own. Show your customer exactly how their product will look before it even arrives.



Reduce the cancellation rate

Reduce the cancellation rate in your web shop through professional product application images. When the image and the description match the actual product, this gives the buyer a sense of extra visual control and the security of knowing that they will order and receive the right product.

Your path to realistic product images

- Request product application images based on the respective sales ID numbers
- We provide you with product application images via data exchange in a convenient BMEcat or Excel format
- Other formats are possible on request

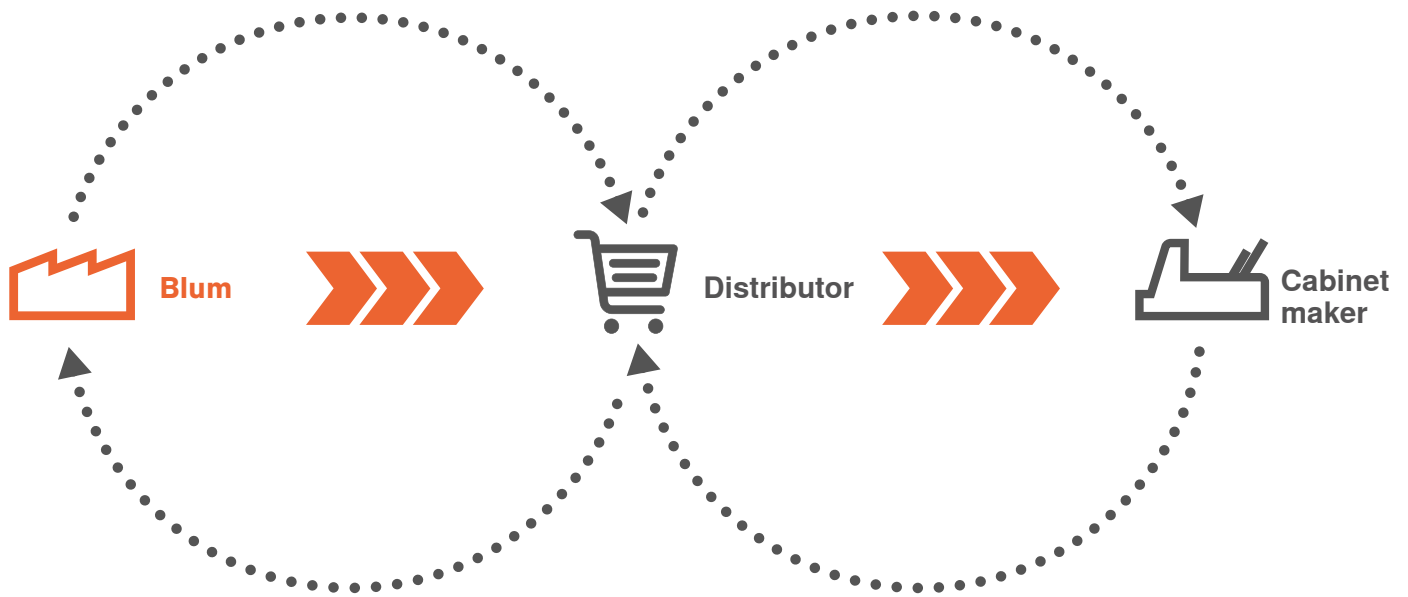
Technical data

- Dimensions: 1800 x 1800 pixels
- Colour depth: 16/32 bit (True Colour)
- Colour space: RGB
- File format: TIF
- Resolution: 72 dpi



Interested?

If you are interested in this service, get in touch with your contact at Blum. We would be happy to advise you.



A real partnership

Smooth processes and a bilateral exchange of ideas and experiences guarantee a successful business partnership. We support our distributors with product data for their communication channels and the online order process.

Best possible support for your processes

It is very important to us that distributors can integrate our products into their value creation chains with ease. We offer both in-person and digital services for this purpose. At the end of the day, both you and your customers should benefit from our offering.

Services with added value for your customers

We also offer services to distributors that they in turn can offer to their customers, i.e. manufacturers. These include configurators for simple product selection, handy calculators, assembly information in the form of graphics and CAD/CAM data.



Interested?

If you are interested in this service, get in touch with your contact at Blum. We would be happy to advise you.

Julius Blum GmbH
Furniture Fittings Mfg.
6973 Höchst, Austria
Tel.: +43 5578 705-0
Fax: +43 5578 705-44
E-mail: info@blum.com
www.blum.com

Our sites in Austria, Poland and China are certified to the international standards mentioned below.
Our site in the USA is certified to ISO 9001.
Our site in Brazil is certified to ISO 9001, ISO 14001 and ISO 45001.



The Blum logo, consisting of a stylized arrow pointing upwards and to the right, followed by the word 'blum' in a bold, lowercase, sans-serif font, with a registered trademark symbol (®) to the upper right.



Look for our
FSC™-certified
products

All content is copyrighted by Blum.
Subject to technical modifications and changes to the range without notice.
IDNR: 337.960.1 · FO-153/1 EN-AL/12.21