

TANDEM – The versatile runner system



Quality steel for your wooden design ideas

TANDEM is a concealed runner system and the versatile solution for your wooden design ideas. The wide range of options offers great design flexibility. Choose from a broad selection of nominal lengths, various types of extensions and optional motion technologies for soft and effortless opening and closing. No matter which TANDEM version you opt for, you can guarantee your customers stability and a feather-light glide that will last for the lifetime of the furniture.

Contents

TANDEM

- 04 Application options
- 08 Product properties
- 16 Services and assembly devices
- 18 Blum runner systems

Ordering and planning information

- 20 560H locking device feature – full extension
- 25 550H locking device feature – single extension
- 30 561H hook and peg feature – full extension
- 34 551H hook and peg feature – single extension
- 38 Accessories
- 39 Attachment of runners
- 42 moving ideas





TANDEM in action

One of the great advantages of TANDEM is the broad product range. The concealed runner system is available as a full or single extension. It also comes in many different nominal lengths – from 250 to 650 mm.

This makes the runner system perfect for the widest variety of applications, from a flat and deep pull-out for clothing in the bedroom or an odds and ends drawer in the hall, to a narrow yet deep pull-out for personal care products in the bathroom.



TANDEM in the bathroom

Bathroom furniture needs to be carefully considered. With the TANDEM range, you can even implement wide drawers with short nominal lengths thanks to our optional side stabiliser. Especially important in the bathroom: the zinc plated runners and nylon roller carriages offer the best protection against corrosion.







TANDEM Properties



TANDEM feather-light glide – smooth running for the life of the furniture

A quiet, feather-light glide is what sets TANDEM apart. Low-friction cylindrical nylon rollers ensure that the weight of the drawer is well-distributed and no metal wear will occur. Thanks to Blum motion technologies, drawers open and close softly and effortlessly.



TANDEM for more storage space – stability to impress

TANDEM has a load bearing capacity of 30 kg. Thanks to good sag values, it is also suitable for pull-outs that are near the floor as well as extra wide, high and deep pull-outs, even when the drawers are fully laden.



Different types of extension – the right model for every application

To give you greater design flexibility, TANDEM comes with different types of extension. The full extension is the right choice if you want particularly easy access without any loss of storage space. And TANDEM single extension is ideal for smaller items of furniture, such as a bedside table.

Motion technologies for TANDEM

TANDEM can be used with different motion technologies: the BLUMOTION adaptive soft-close mechanism mechanically ensures soft and effortless closing. The SERVO-DRIVE electrical support system makes opening particularly easy: a light touch suffices and the drawer seems to open by itself. TIP-ON delivers the same convenience, but through mechanical means.

BLUMOTION

by Blum

SERVO-DRIVE

by Blum

TIP-ON

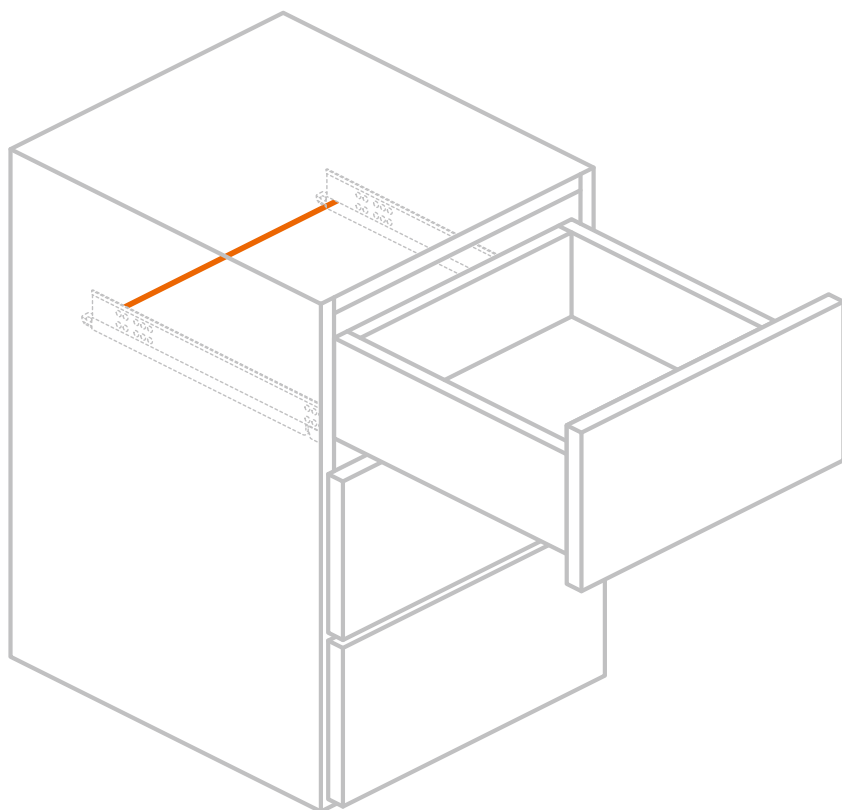
by Blum





TANDEM with integrated TIP-ON

You'll already be familiar with the versatility of the TANDEM runner system and the convenience of the TIP-ON motion technology. Now we have combined the advantages of both – TANDEM with integrated TIP-ON as full and single extension. This means a better quality of living with fewer components. The TANDEM, with its tried-and-tested functionality, is now also available as a more cost-effective solution for your wooden design ideas – including easy assembly and convenient operation.



All you need for assembly is a one-part synchronisation linkage







Assembly with locking device or hook and peg feature

Locking device feature – insert and all done!

The TANDEM locking device allows you to attach and remove the drawer in no time. An integrated lift-off stop prevents accidental detachment. Height adjustment allows differences of up to 3 mm to be corrected. The front can be aligned parallel to the cabinet front edge using the tilt adjustment feature.

Hook and peg feature – clip on and all done!

Place the drawer on the runner, pull forwards, done. The lift-off stop prevents accidental detachment from the runner. Fine tuning is quick and easy: with the tool-free height adjustment, you can make adjustments up to 2.5 mm. while the integrated front tilt adjustment feature allows for effortless alignment of the front.

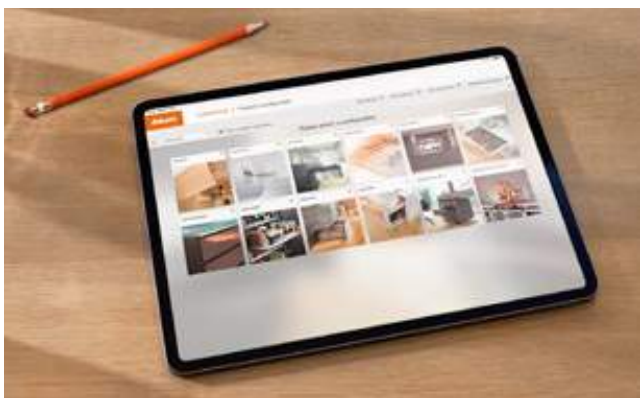


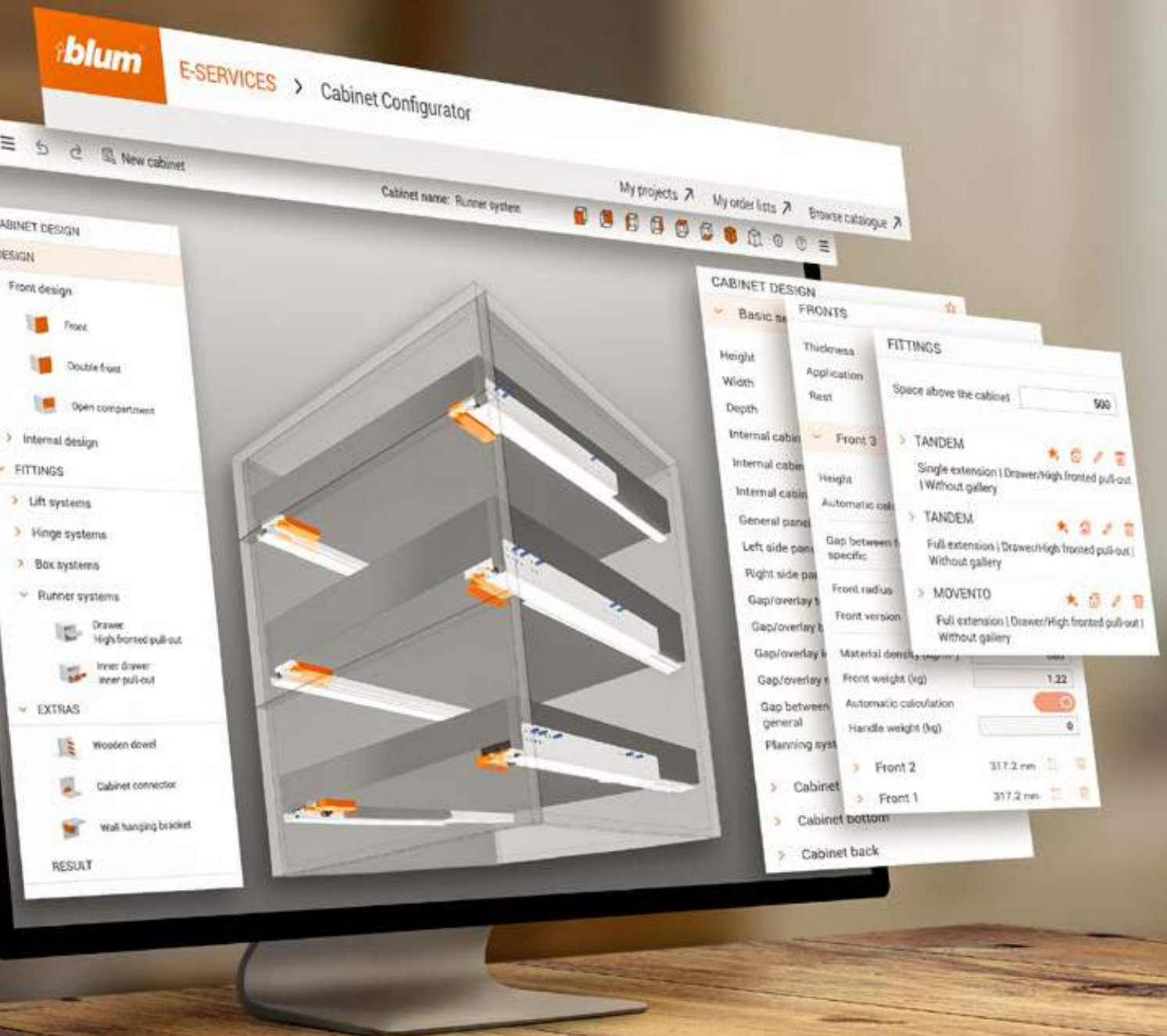
Services and assembly devices – precise, practical and professional

We offer bespoke services and assembly devices for the TANDEM runner system. We support you along the entire process chain: our E-SERVICES help you to plan, design and choose products around the clock. In addition to drilling and insertion machines, we also offer special drilling templates for furniture production, such as for TANDEM with the hook and peg feature or for the TANDEM front adjuster.



Product Configurator
www.blum.com/productconfigurator





Cabinet Configurator
www.blum.com/cabinetconfig

The right runner system for every requirement

Depending on your requirements, there are several different runner systems for your drawers. The versatile TANDEM runner system impresses with a broad range: choose from several types of extension and three motion technologies. The MOVENTO concealed runner system is the sophisticated solution to meet exacting requirements: it boasts a synchronised feather-light glide, 4-dimensional adjustment and is fully compatible with all four Blum motion technologies.

TANDEM
Full extension

TANDEM
Single extension

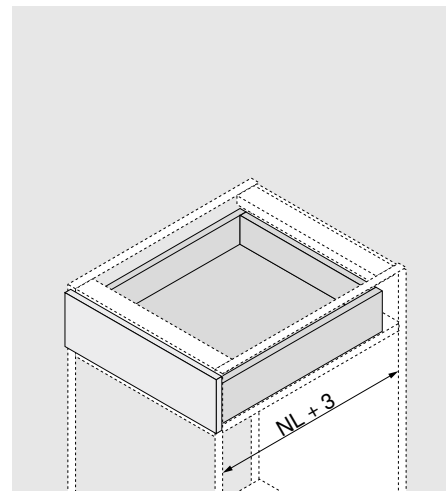
MOVENTO



560H locking device feature – full extension – BLUMOTION



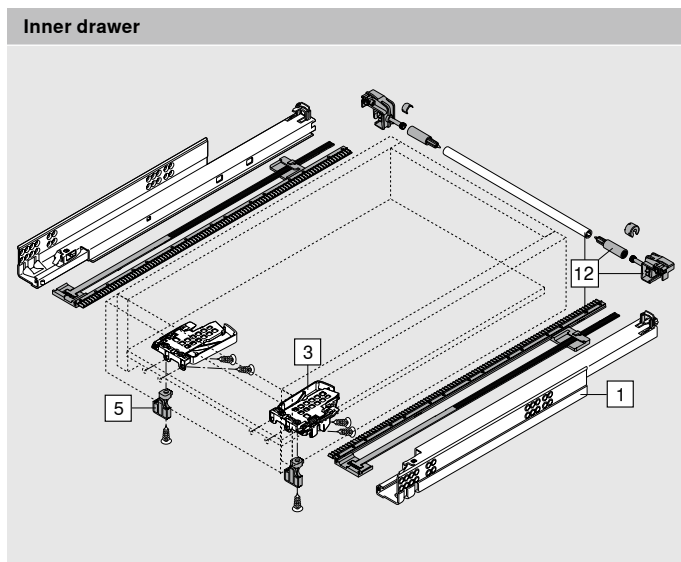
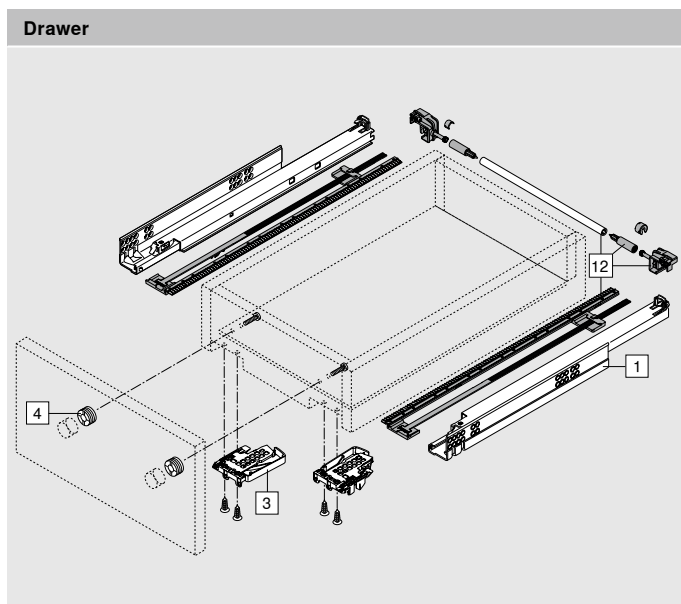
- Concealed TANDEM full extension for wooden drawers with a panel thickness of 11 to 16 mm
- Includes integrated BLUMOTION motion technology for soft and effortless closing
- Compatible with the SERVO-DRIVE electrical opening support system¹
- Low-friction cylindrical nylon rollers ensure a feather-light glide
- Tool-free height adjustment via a locking device
- Tool-free integrated front tilt adjustment



Ordering information

1	Runners left/right	Nominal length NL mm	Load bearing capacity 30 kg
		250	560H2500B
		270	560H2700B
		300	560H3000B
		320	560H3200B
		350	560H3500B
		380	560H3800B
		400	560H4000B
		420	560H4200B
		450	560H4500B
		480	560H4800B
		500	560H5000B
		520	560H5200B
		550	560H5500B
	600	560H6000B	
Integrated BLUMOTION			

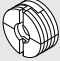

3	Locking device left/right	
	Nylon/zinc	
	Orange	T51.1700.04
	With height adjustment	
	Order left and right	



¹ You can find ordering and planning information on SERVO-DRIVE for TANDEM in the Blum catalogue:
www.blum.com/catalogue

560H locking device feature – full extension – BLUMOTION

Accessories

4	Front adjuster	
	 Nylon Natural	295.1000
12	Side stabilisation set for full extension	
		Nominal length NL mm
		Up to 410 ZST.410TV
		Up to 600 ZST.600TV
		Up to 750 ZST.750TV
For cutting to size Suitable for cabinet width up to KB 1400 mm Cutting: Internal cabinet width LW – 254 mm Nominal length NL + 12 mm We recommend using a side stabiliser with wide pull-outs with a short nominal length		

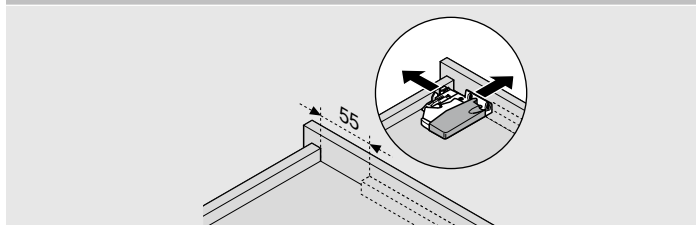
5	POSISTOP	
	 Nylon RAL 7037 dust grey	298.5500
	Depth stop	
	Can only be combined with locking device T51.1700.04	
Only for inset applications		

560H locking device feature – full extension – BLUMOTION

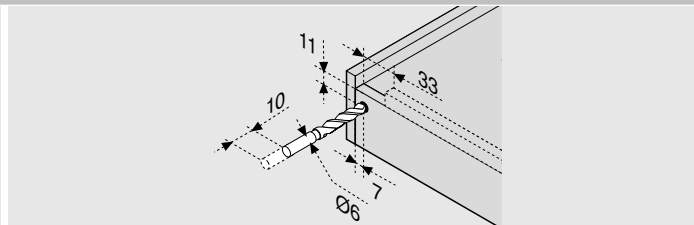
Planning

Space requirements in the cabinet	Drawer/inner drawer	Drawer	Inner drawer
* +3 mm with side stabilisation	SKW Internal drawer width LW Internal cabinet width	SKL Drawer length NL Nominal length * Additional +12 mm with side stabilisation	ISKL Inner drawer length SKL Drawer length NL Nominal length X Front thickness * Additional +2 mm with POSISTOP

Drawer assembly



Use drilling template T65.1000.02

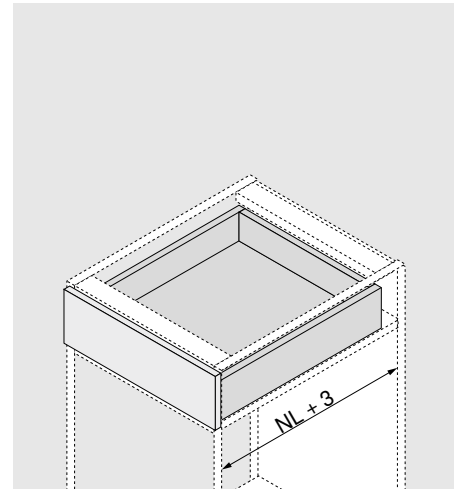


Use drilling template T65.1000.02

560H locking device feature – full extension – integrated TIP-ON



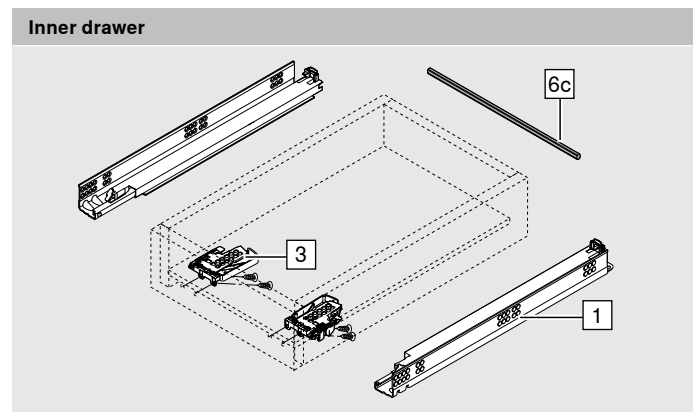
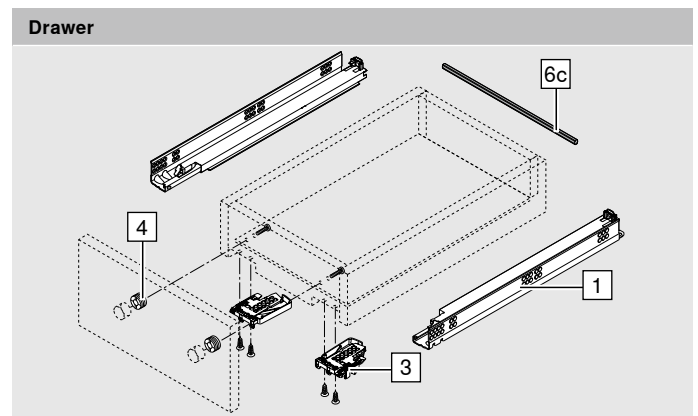
- Concealed TANDEM full extension for wooden drawers with a panel thickness of 11 to 16 mm
- Includes integrated TIP-ON motion technology – the mechanical opening support system
- Low-friction cylindrical nylon rollers ensure a feather-light glide
- Tool-free height adjustment via a locking device
- Tool-free integrated front tilt adjustment
- Tool-free integrated depth adjustment
- Recommendation: optional TIP-ON synchronisation for secure triggering even with wide fronts



Ordering information

1	Runners left/right	
	Nominal length NL	Load bearing capacity 30 kg
	mm	
	250	560H2500T
	270	560H2700T
	300	560H3000T
	320	560H3200T
	350	560H3500T
	380	560H3800T
	400	560H4000T
	420	560H4200T
	450	560H4500T
	480	560H4800T
	500	560H5000T
	520	560H5200T
550	560H5500T	
600	560H6000T	
Integrated TIP-ON		

6c	TIP-ON synchronisation linkage		
	Cabinet width KB (mm)	Version	
	Up to 1200	Profile linkage	T57.1140S
For cutting to size We recommend the use of a synchronisation linkage for every cabinet width. Cutting: internal cabinet width LW – 31 mm			



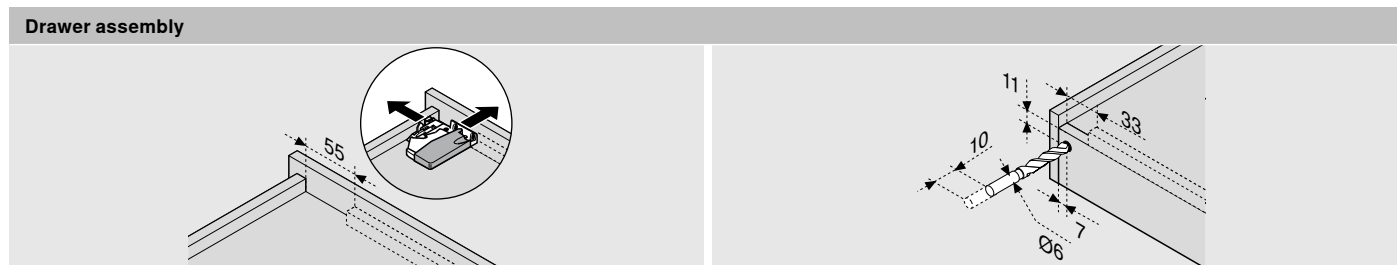
3	Locking device left/right	
	Nylon/zinc Orange	T51.1700.04
	With height adjustment	
	Order left and right	

Accessories

4	Front adjuster	
	Nylon	
	Natural	295.1000

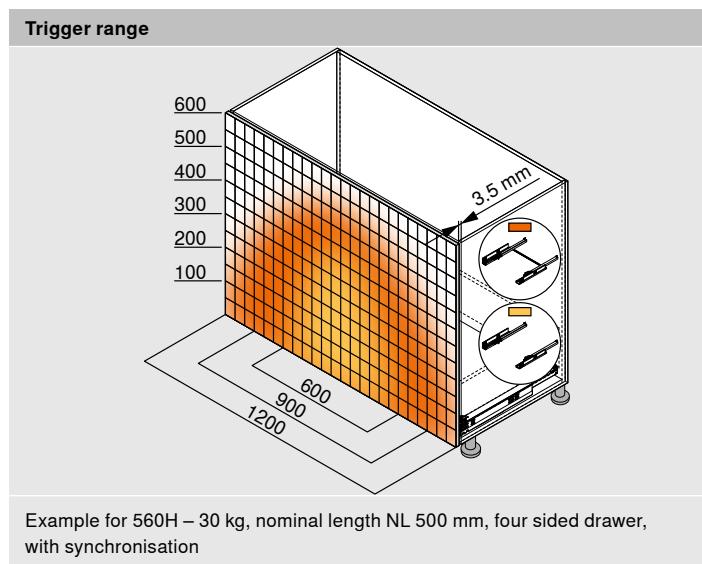
560H locking device feature – full extension – integrated TIP-ON
Planning

Space requirements in the cabinet	Drawer/inner drawer	Drawer	Inner drawer
	SKW Internal drawer width	SKL Drawer length	ISKL Inner drawer length
	LW Internal cabinet width	NL Nominal length	SKL Drawer length
			NL Nominal length
			X Front thickness



Use drilling template T65.1000.02

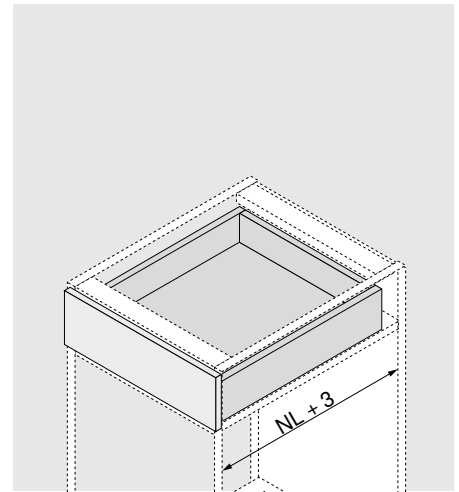
Use drilling template T65.1000.02



550H locking device feature – single extension – BLUMOTION



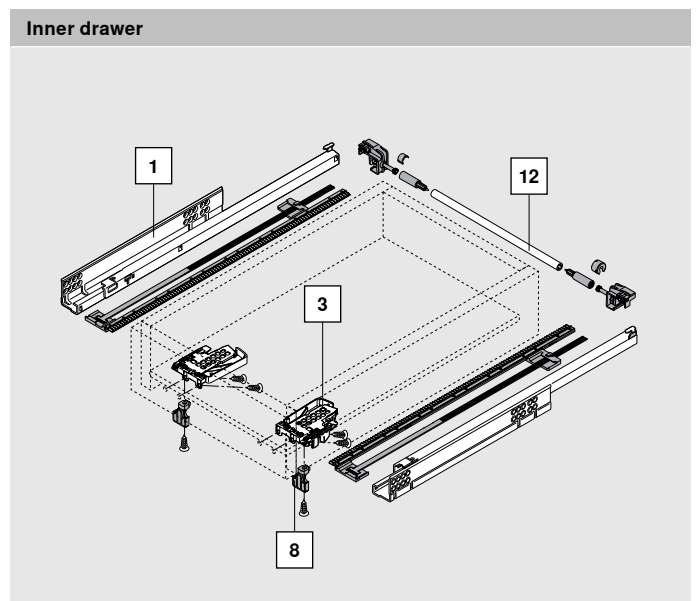
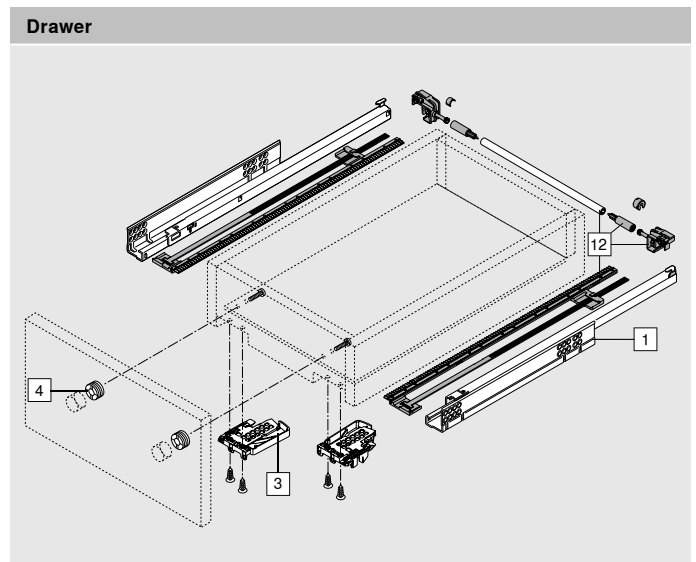
- Concealed TANDEM single extension for wooden drawers with a panel thickness of 11 to 16 mm
- With soft end stop when opening and integrated BLUMOTION motion technology for soft and effortless closing
- Compatible with the SERVO-DRIVE electrical opening support system¹
- Low-friction cylindrical nylon rollers ensure a feather-light glide
- Tool-free height adjustment via a locking device



Ordering information

1	Runners left/right	
	Nominal length NL	Load bearing capacity 30 kg
	mm	
	270	550H2700B
	300	550H3000B
	350	550H3500B
	400	550H4000B
	450	550H4500B
	500	550H5000B
	550	550H5500B
600	550H6000B	
650	550H6500B	
Integrated BLUMOTION		


3	Locking device left/right	
	Nylon/zinc	T51.1700.04
	Orange	
	With height adjustment	
Order left and right		




¹ You can find ordering and planning information on SERVO-DRIVE for TANDEM in the Blum catalogue: www.blum.com/catalogue

550H locking device feature – single extension – BLUMOTION
Accessories

4	Front adjuster	
	 Nylon Natural	295.1000

12	Side stabilisation set for single extension	
		Nominal length mm
		Up to 400 ZST.410TT
		Up to 650 ZST.650TT
	For cutting to size Suitable for cabinet width up to KB 1400 mm	
Cutting: Internal cabinet width LW – 222 mm Nominal length NL + 12 mm		
We recommend using a side stabiliser with wide pull-outs with a short nominal length		

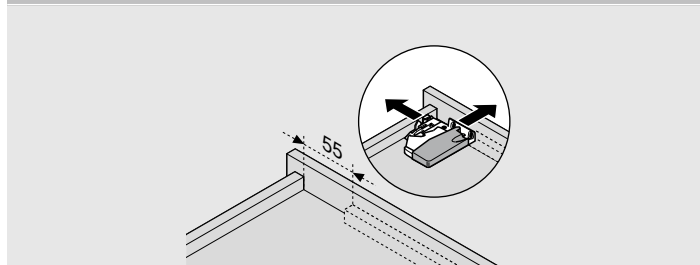
8	POSISTOP	
	 Nylon RAL 7037 dust grey	298.5500
	Depth stop Only for inset applications	

550H locking device feature – single extension – BLUMOTION

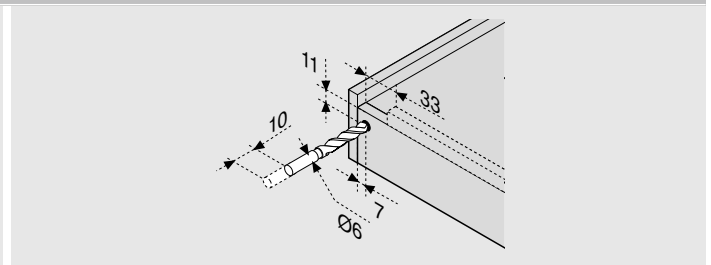
Planning

Space requirements in the cabinet	Drawer/inner drawer	Drawer	Inner drawer
<p>A 3 mm distance for exchange with full extension</p>	<p>SKW Internal drawer width</p>	<p>SKL Drawer length</p> <p>NL Nominal length</p>	<p>ISKL Inner drawer length</p>
<p>* +3 mm with side stabilisation</p>	<p>LW Internal cabinet width</p>	<p>* Additional +12 mm with side stabilisation</p>	<p>SKL Drawer length</p> <p>NL Nominal length</p> <p>X Front thickness</p> <p>* Additional +2 mm with POSISTOP</p>

Drawer assembly



Use drilling template T65.1000.02

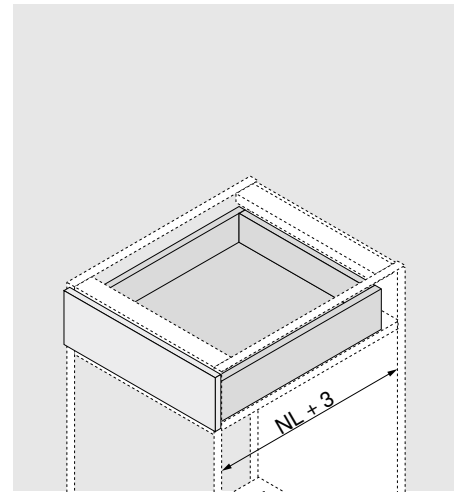


Use drilling template T65.1000.02

550H locking device feature – single extension – integrated TIP-ON



- Concealed TANDEM single extension for wooden drawers with a panel thickness of 11 to 16 mm
- With soft end stop when opening
- Includes integrated TIP-ON motion technology – the mechanical opening support system
- Low-friction cylindrical nylon rollers ensure a feather-light glide
- Tool-free height adjustment via a locking device
- Tool-free integrated depth adjustment
- Recommendation: optional TIP-ON synchronisation for secure triggering even with wide fronts



Ordering information

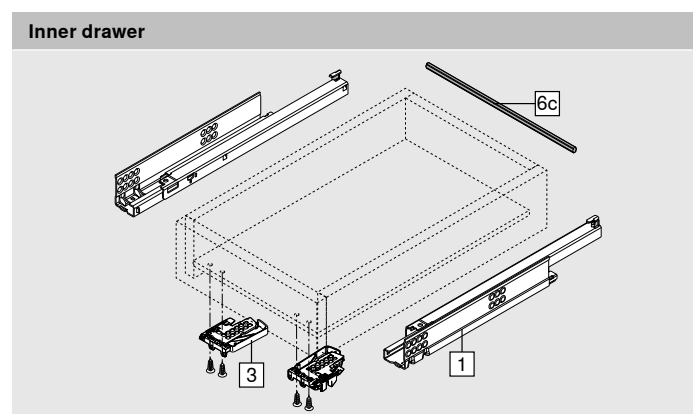
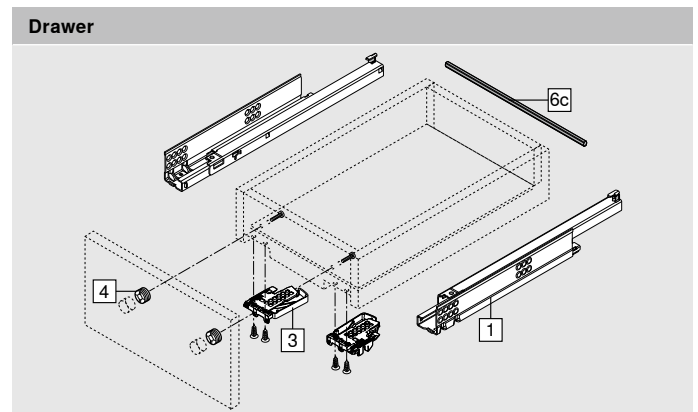
1	Runners left/right	
	Nominal length NL	Load bearing capacity 30 kg
	mm	
	270	550H2700T
	300	550H3000T
	350	550H3500T
	400	550H4000T
	450	550H4500T
	500	550H5000T
	550	550H5500T
600	550H6000T	
650	550H6500T	
Integrated TIP-ON		

3	Locking device left/right	
	Nylon/zinc Orange	T51.1700.04
	With height adjustment	
	Order left and right	

Accessories

4	Front adjuster	
	Nylon	295.1000
	Natural	

6c	TIP-ON synchronisation linkage		
	Cabinet width KB (mm)	Version	
	Up to 1200	Profile linkage	T57.1140S
For cutting to size We recommend the use of a synchronisation linkage for every cabinet width. Cutting: internal cabinet width LW – 31 mm			



550H locking device feature – single extension – integrated TIP-ON

Planning

Space requirements in the cabinet	Drawer/inner drawer	Drawer	Inner drawer
A 3 mm distance for exchange with full extension	SKW Internal drawer width	SKL Drawer length	ISKL Inner drawer length
	LW Internal cabinet width	NL Nominal length	SKL Drawer length
			NL Nominal length
			X Front thickness

Drawer assembly

Use drilling template T65.1000.02

Use drilling template T65.1000.02

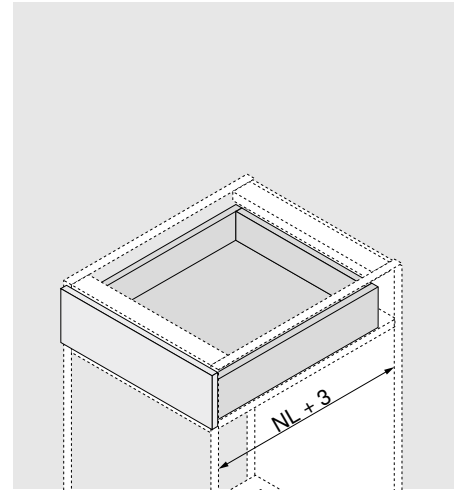
Trigger range

Example for 560H – 30 kg, nominal length NL 500 mm, four sided drawer, with synchronisation

561H hook and peg feature – full extension – BLUMOTION



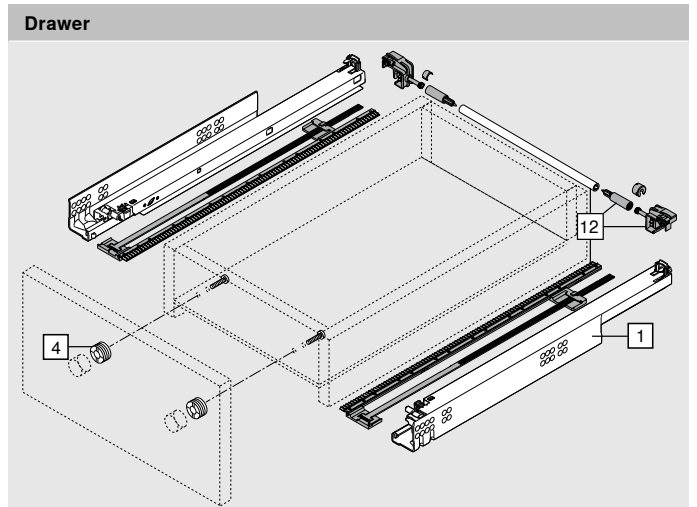
- Concealed TANDEM full extension for wooden drawers with a panel thickness of 11 to 16 mm
- Includes integrated BLUMOTION motion technology for soft and effortless closing
- Compatible with the SERVO-DRIVE electrical opening support system¹
- Low-friction cylindrical nylon rollers ensure a feather-light glide
- Lift-off stop and height adjustment integrated into the runner system
- Tool-free integrated front tilt adjustment



Ordering information

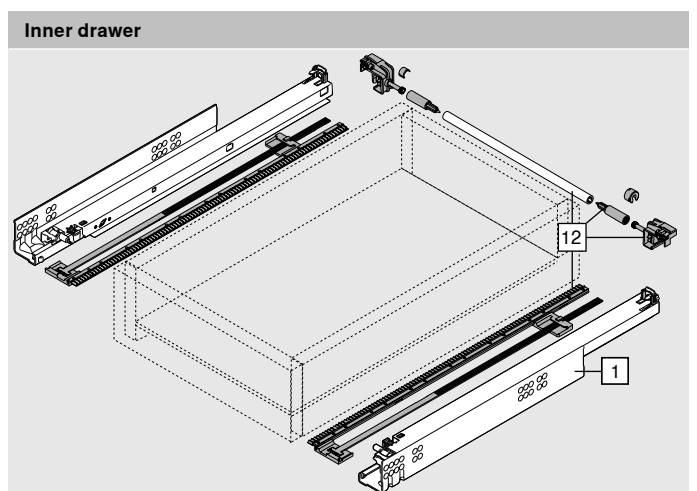
1	Runners left/right	
	Nominal length NL	Load bearing capacity 30 kg
	mm	
	260	561H2601B
	285	561H2851B
	310	561H3101B
	335	561H3351B
	360	561H3601B
	385	561H3851B
	410	561H4101B
	435	561H4351B
	460	561H4601B
	485	561H4851B
	510	561H5101B
	535	561H5351B
560	561H5601B	
Integrated BLUMOTION		

4	Front adjuster	
	Nylon	295.1000
	Natural	



Accessories

12	Side stabilisation set for full extension	
	Nominal length NL	
	mm	
	Up to 410	ZST.410TV
	Up to 600	ZST.600TV
	Up to 750	ZST.750TV
For cutting to size Suitable for cabinet width up to KB 1400 mm		
Cutting: Internal cabinet width LW – 254 mm Nominal length NL + 12 mm		
We recommend using a side stabiliser with wide pull-outs with a short nominal length		

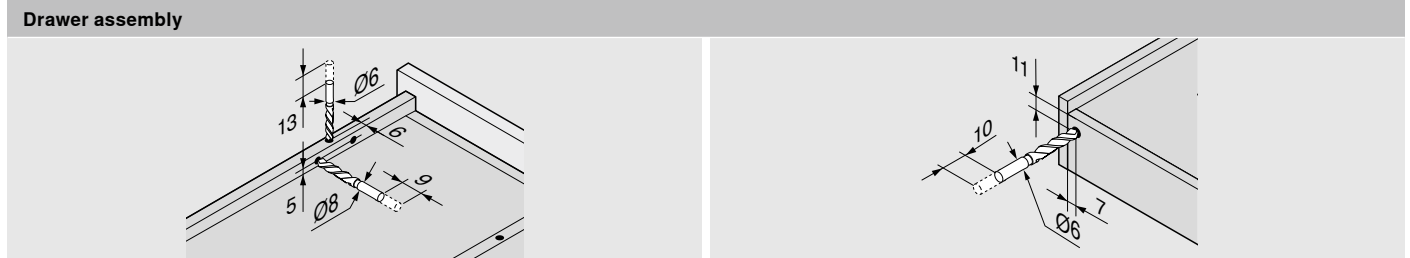


¹ You can find ordering and planning information on SERVO-DRIVE for TANDEM in the Blum catalogue: www.blum.com/catalogue

561H hook and peg feature – full extension – BLUMOTION

Planning

Space requirements in the cabinet	Drawer/inner drawer	Drawer	Inner drawer
<p>* +3 mm with side stabilisation</p>	<p>SKW Internal drawer width</p> <p>LW Internal cabinet width</p>	<p>SKL Drawer length</p> <p>NL Nominal length</p> <p>* Additional +12 mm with side stabilisation</p>	<p>ISKL Inner drawer length</p> <p>SKL Drawer length</p> <p>NL Nominal length</p> <p>X Front thickness</p>



Use drilling template T65.1000.02

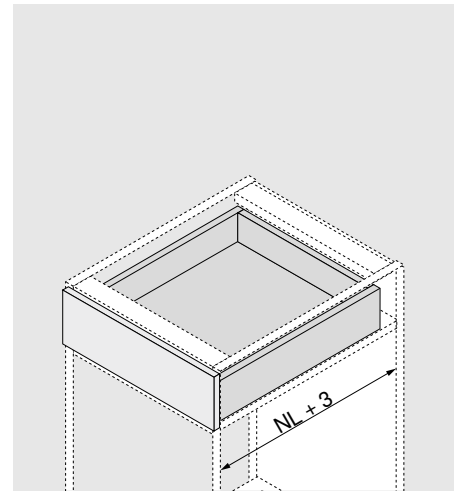
Drawer assembly

Nominal length NL (mm)	Peg X2 (mm)	Lift-off stop X3 (mm)
260	205	185
285	220	200
310	230	242
335	245	257
360	275	287
385	285	297
410	300	344
435	310	354
460	335	379
485	350	394
510	360	436
535	375	451
560	405	481

561H hook and peg feature – full extension – integrated TIP-ON



- Concealed TANDEM full extension for wooden drawers with a panel thickness of 11 to 16 mm
- Includes integrated TIP-ON motion technology – the mechanical opening support system
- Low-friction cylindrical nylon rollers ensure a feather-light glide
- Integrated lift-off stop and height and front tilt adjustment
- Tool-free integrated depth adjustment
- Recommendation: optional TIP-ON synchronisation for secure triggering even with wide fronts



Ordering information

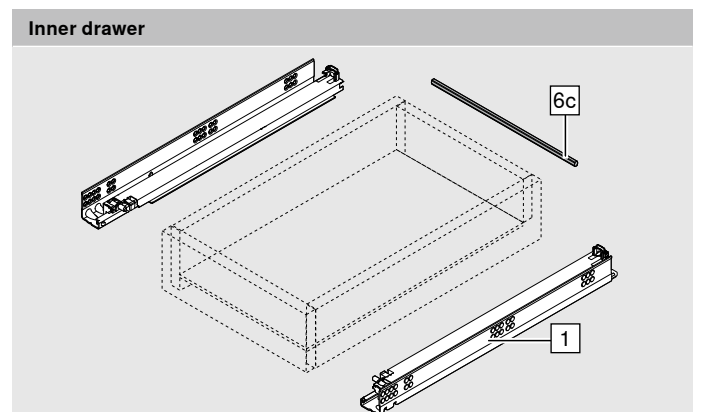
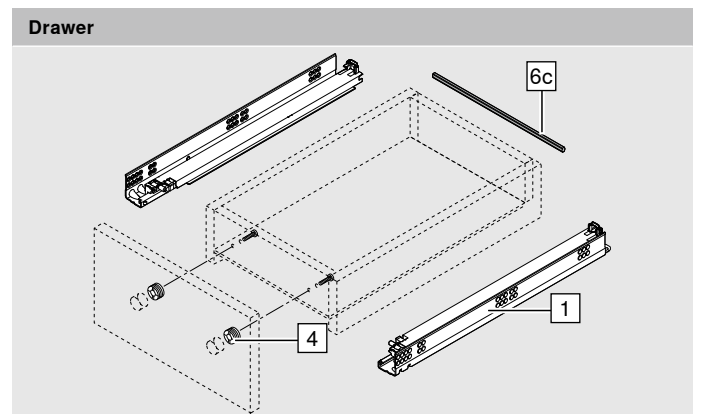
1	Runners left/right	
	Nominal length NL mm	Load bearing capacity 30 kg
	260	561H2601T
	285	561H2851T
	310	561H3101T
	335	561H3351T
	360	561H3601T
	385	561H3851T
	410	561H4101T
	435	561H4351T
	460	561H4601T
	485	561H4851T
	510	561H5101T
535	561H5351T	
	560	561H5601T

Integrated TIP-ON

6c	TIP-ON synchronisation linkage		
	Cabinet width KB (mm)	Version	
	Up to 1200	Profile linkage	T57.1140S
For cutting to size We recommend the use of a synchronisation linkage. Cutting: internal cabinet width LW – 31 mm			

Accessories

4	Front adjuster	
	Nylon Natural	295.1000



561H hook and peg feature – full extension – integrated TIP-ON

Planning

Space requirements in the cabinet	Drawer/inner drawer	Drawer	Inner drawer
	<p>SKW Internal drawer width</p> <p>LW Internal cabinet width</p>	<p>SKL Drawer length</p> <p>NL Nominal length</p>	<p>ISKL Inner drawer length</p> <p>SKL Drawer length</p> <p>NL Nominal length</p> <p>X Front thickness</p>

Drawer assembly

Use drilling template T65.1000.02

Trigger range

Example for 560H – 30 kg, nominal length NL 500 mm, four sided drawer, with synchronisation

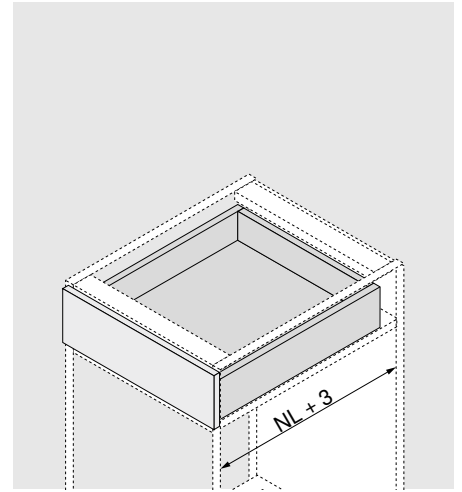
Drawer assembly

Nominal length NL (mm)	Peg X2 (mm)	Lift-off stop X1 (mm)
260	205	185
285	220	200
310	230	242
335	245	257
360	275	287
385	285	297
410	300	344
435	310	354
460	335	379
485	350	394
510	360	436
535	375	451
560	405	481

551H hook and peg feature – single extension – BLUMOTION



- Concealed TANDEM single extension for wooden drawers with a panel thickness of 11 to 16 mm
- With soft end stop when opening and integrated BLUMOTION motion technology for soft and effortless closing
- Compatible with the SERVO-DRIVE electrical opening support system¹
- Low-friction cylindrical nylon rollers ensure a feather-light glide
- Lift-off stop and height adjustment integrated into the runner system

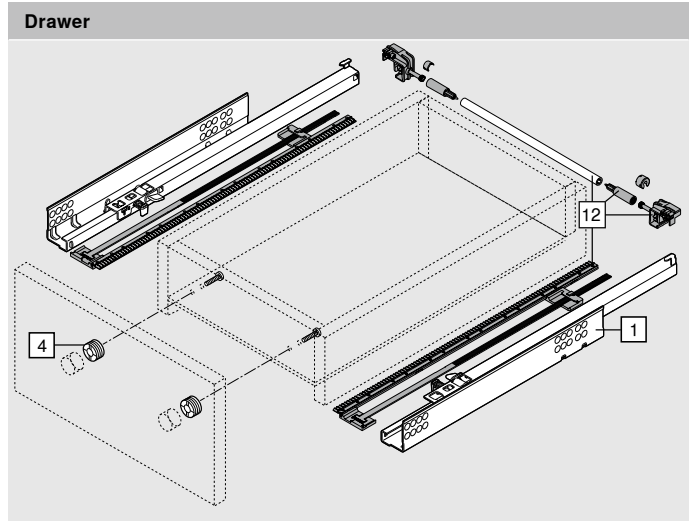


Ordering information

1	Runners left/right	
	Nominal length NL mm	Load bearing capacity 30 kg
	260	551H2601B
	285	551H2851B
	310	551H3101B
	335	551H3351B
	360	551H3601B
	385	551H3851B
	410	551H4101B
	435	551H4351B
	460	551H4601B
	485	551H4851B
	510	551H5101B
	535	551H5351B
560	551H5601B	

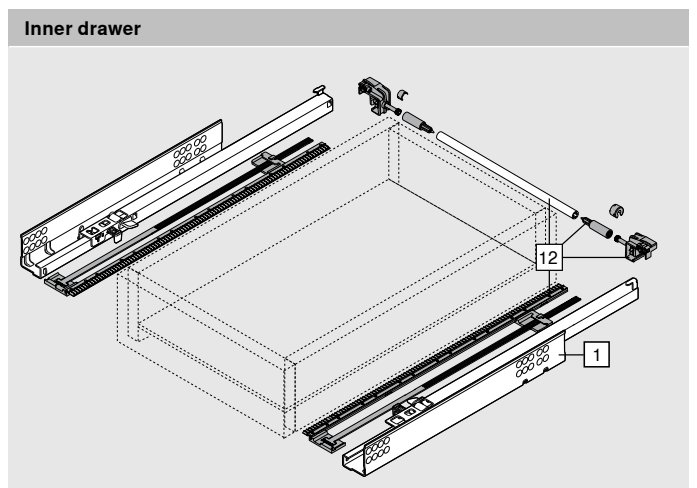
Integrated BLUMOTION

4	Front adjuster	
	Nylon Natural	295.1000



Accessories

12	Side stabilisation set for single extension	
	Nominal length mm	
	Up to 400	ZST.410TT
	Up to 650	ZST.650TT
	For cutting to size Suitable for cabinet width up to KB 1400 mm	
Cutting: Internal cabinet width LW – 222 mm Nominal length NL + 12 mm		
We recommend using a side stabiliser with wide pull-outs with a short nominal length		

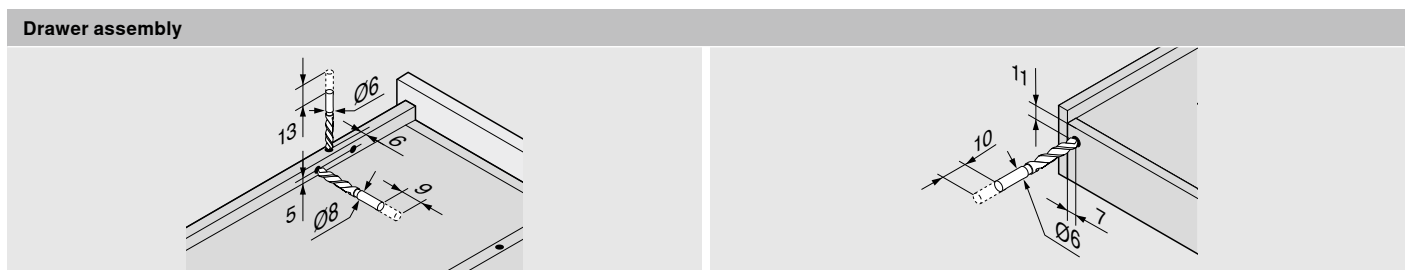


¹ You can find ordering and planning information on SERVO-DRIVE for TANDEM in the Blum catalogue: www.blum.com/catalogue

551H hook and peg feature – single extension – BLUMOTION

Planning

Space requirements in the cabinet	Drawer/inner drawer	Drawer	Inner drawer
<p>A 3 mm distance for exchange with full extension</p>	<p>SKW Internal drawer width</p>	<p>SKL Drawer length</p> <p>NL Nominal length</p>	<p>ISKL Inner drawer length</p>
<p>* +3 mm with side stabilisation</p>	<p>LW Internal cabinet width</p>	<p>* Additional +12 mm with side stabilisation</p>	<p>SKL Drawer length</p> <p>NL Nominal length</p> <p>X Front thickness</p>



Use drilling template T65.1000.02

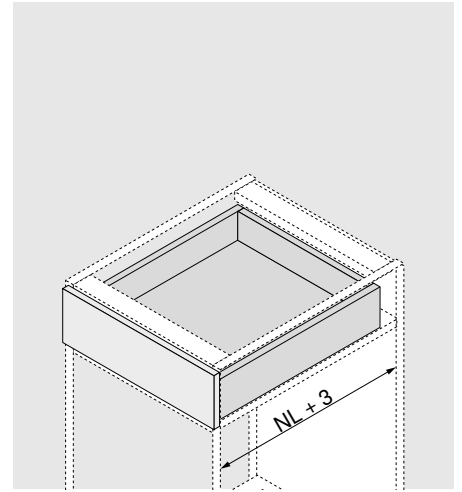
Drawer assembly

Nominal length NL (mm)	Peg X2 (mm)	Lift-off stop X1 (mm)
260	205	185
285	220	200
310	230	210
335	245	225
360	275	255
385	285	265
410	300	280
435	310	290
460	335	315
485	350	330
510	360	340
535	375	355
560	405	385

551H hook and peg feature – single extension – integrated TIP-ON



- Concealed TANDEM single extension for wooden drawers with a panel thickness of 11 to 16 mm
- Includes integrated TIP-ON motion technology – the mechanical opening support system
- Low-friction cylindrical nylon rollers ensure a feather-light glide
- Lift-off stop and height adjustment integrated into the runner system
- Tool-free integrated depth adjustment
- Recommendation: optional TIP-ON synchronisation for secure triggering even with wide fronts



Ordering information

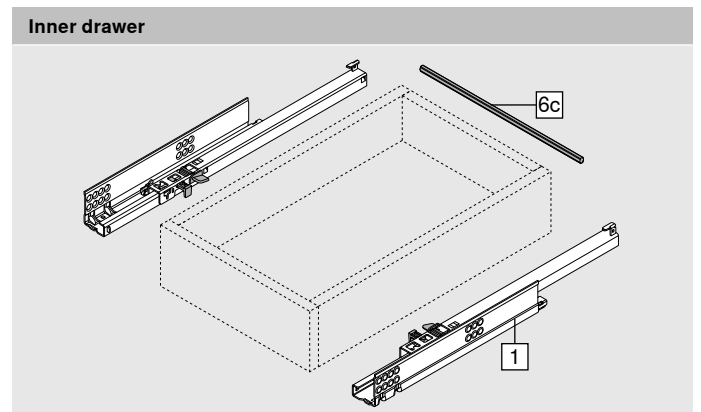
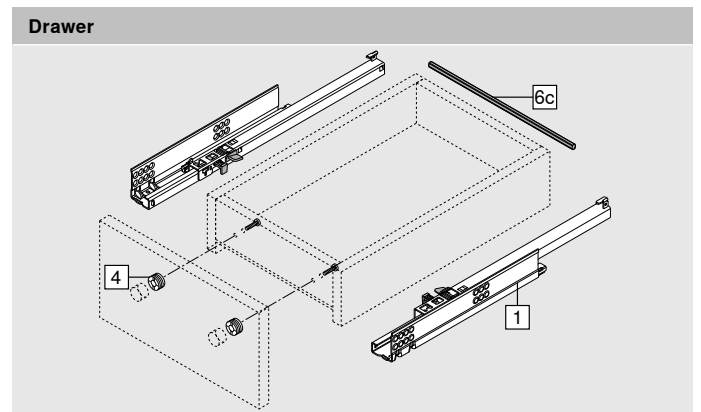
1	Runners left/right	
	Nominal length NL mm	Load bearing capacity 30 kg
	260	551H2601T
	285	551H2851T
	310	551H3101T
	335	551H3351T
	360	551H3601T
	385	551H3851T
	410	551H4101T
	435	551H4351T
	460	551H4601T
	485	551H4851T
	510	551H5101T
	535	551H5351T
560	551H5601T	

Integrated TIP-ON

6c	TIP-ON synchronisation linkage		
	Cabinet width KB (mm)	Version	
	Up to 1200	Profile linkage	557.1140S
	For cutting to size We recommend the use of a synchronisation linkage. Cutting: internal cabinet width LW – 31 mm		

Accessories

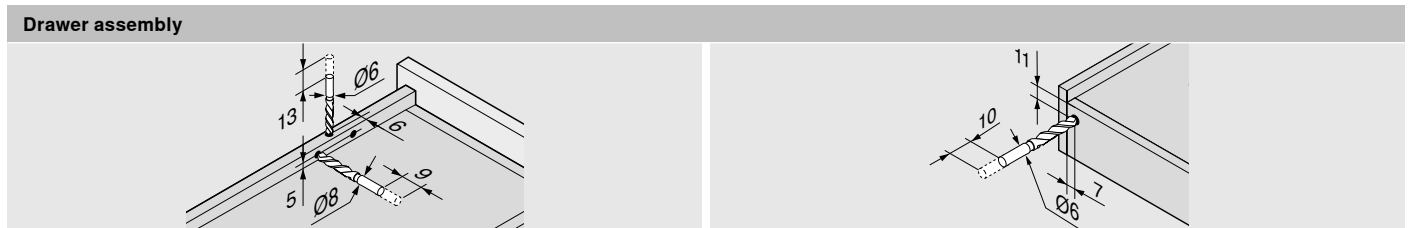
4	Front adjuster	
	Nylon Natural	295.1000



551H hook and peg feature – single extension – integrated TIP-ON

Planning

Space requirements in the cabinet	Drawer/inner drawer	Drawer	Inner drawer
A 3 mm distance for exchange with full extension	SKW Internal drawer width	SKL Drawer length	ISKL Inner drawer length
	LW Internal cabinet width	NL Nominal length	SKL Drawer length
			NL Nominal length
			X Front thickness



Use drilling template T65.1000.02

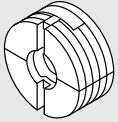
Trigger range


Example for 560H – 30 kg, nominal length NL 500 mm, four sided drawer, with synchronisation

Drawer assembly

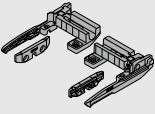
Nominal length NL (mm)	Peg X2 (mm)	Lift-off stop X1 (mm)
260	205	185
285	220	200
310	230	210
335	245	225
360	275	255
385	285	265
410	300	280
435	310	290
460	335	315
485	350	330
510	360	340
535	375	355
560	405	385

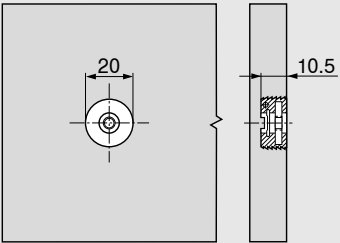
Accessories


Front adjuster	
	With pre-mounted steel flange For four sided drawers 2-dimensional front adjustment (± 2 mm) Material: nylon Colour: natural
	295.1000

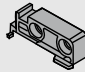
Side stabilisation set for full extension	
	Nominal length NL mm
	Up to 410 ZST.410TV
	Up to 600 ZST.600TV
	Up to 750 ZST.750TV
For cutting to size Suitable for cabinet width up to KB 1400 mm	
Cutting: Internal cabinet width LW – 254 mm Nominal length NL + 12 mm	
We recommend using a side stabiliser with wide pull-outs with a short nominal length.	

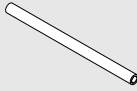
POSISTOP	
	Nylon RAL 7037 dust grey
	298.5500
	Depth stop Only for inset applications

Pull-out shelf lock (set)		
	Material Nylon	
	Colour Orion grey matt	
	Consisting of: 2 x locking unit* 2 x latching element 1 x installation instructions	
	295H5700	
	Fixing with chipboard screws $\varnothing 3.5 \times 15$ mm, part no. 609.1500 or system screws, part no. 661.1450.HG	
	* Fixing only possible with chipboard screws	
We recommend using a side stabiliser with wide pull-outs and short nominal lengths. This improves the engagement of the locking unit		
During assembly of the pull-out shelf lock, make sure that you leave the tilt adjustment at the factory setting		

Planning

Insertion ram for MINIPRESS + PRO-CENTER MZM.0095

Side stabilisation set for single extension	
	Nominal length mm
	Up to 400 ZST.410TT
	Up to 650 ZST.650TT
For cutting to size Suitable for cabinet width up to KB 1400 mm	
Cutting: Internal cabinet width LW – 222 mm Nominal length NL + 12 mm	
We recommend using a side stabiliser with wide pull-outs with a short nominal length.	

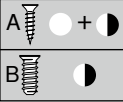
Back fixing bracket – pull-out shelf without pull-out shelf lock	
	Nylon Natural
	T51.7000.01

Pull-out shelf lock – synchronisation linkage	
	Material Aluminium
	Colour Natural
	For cutting to size
	ZST.1089W
Optional ZST.1160W	
Suitable for cabinet width KB up to 1200 mm	
Cutting dimensions: LW – 87 ± 1 mm	
Pull-out shelf lock can be unlocked with one hand thanks to synchronisation	

Further information on the pull-out shelf lock can be found in EP-552 Pull-out shelf lock

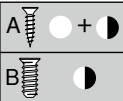
Attachment of runners 560H/561H with BLUMOTION

Runner 560H – 30 kg											
NL	19	37	69	133	165	229	243	261	284	325	
250–270	○ ○ ● ○ ○ ○ ○		○ ● ○ ○	○ ○ ● ○ ○ ○ ○							
300–380	○ ○ ● ○ ○ ○ ○		○ ● ○ ○		○ ○ ● ○ ○ ○ ○			○ ○ ● ○ ○ ○ ○			
400–420	○ ○ ● ○ ○ ○ ○		○ ● ○ ○		○ ○ ● ○ ○ ○ ○	○ ○ ● ○ ○ ○ ○					
450–480	○ ○ ● ○ ○ ○ ○		○ ● ○ ○		○ ○ ● ○ ○ ○ ○			○ ○ ● ○ ○ ○ ○			
500–550	○ ○ ● ○ ○ ○ ○		○ ● ○ ○					○ ○ ● ○ ○ ○ ○	○ ○ ● ○ ○ ○ ○		
600	○ ○ ● ○ ○ ○ ○		○ ● ○ ○					○ ○ ● ○ ○ ○ ○		○ ● ○ ○	



- NL Nominal length
- A Chipboard screw Ø 4 x 15 mm
- B System screw, part number 661.1450.HG
- * BLUMOTION

Runner 561H – 30 kg											
NL	19	37	69	133	165	229	243	261	284	325	
260	○ ○ ● ○ ○ ○ ○		○ ● ○ ○	○ ○ ● ○ ○ ○ ○							
285	○ ○ ● ○ ○ ○ ○		○ ● ○ ○	○ ○ ● ○ ○ ○ ○				○ ○ ● ○ ○ ○ ○			
310–335	○ ○ ● ○ ○ ○ ○		○ ● ○ ○		○ ○ ● ○ ○ ○ ○						
360–385	○ ○ ● ○ ○ ○ ○		○ ● ○ ○		○ ○ ● ○ ○ ○ ○			○ ○ ● ○ ○ ○ ○			
410	○ ○ ● ○ ○ ○ ○		○ ● ○ ○		○ ○ ● ○ ○ ○ ○	○ ○ ● ○ ○ ○ ○					
435–485	○ ○ ● ○ ○ ○ ○		○ ● ○ ○		○ ○ ● ○ ○ ○ ○			○ ○ ● ○ ○ ○ ○			
510–535	○ ○ ● ○ ○ ○ ○		○ ● ○ ○					○ ○ ● ○ ○ ○ ○	○ ○ ● ○ ○ ○ ○		
560	○ ○ ● ○ ○ ○ ○		○ ● ○ ○					○ ○ ● ○ ○ ○ ○		○ ● ○ ○	



- NL Nominal length
- A Chipboard screw Ø 4 x 15 mm
- B System screw, part number 661.1450.HG
- * BLUMOTION

Attachment of runners 550H/551H with BLUMOTION/integrated TIP-ON

Runner 550H – 30 kg										
NL	19*	37	133	147	165	261	284	325	389	
270	○●●	○●●	○●●							
300–450	○●●	○●●	○●●	○●●						
500–550	○●●	○●●	○●●			○●●	○●●			
600	○●●	○●●	○●●			○●●	○●●	○●●		
650	○●●	○●●	○●●			○●●	○●●	○●●	○●●	

- NL Nominal length
- A Chipboard screw Ø 4 x 15 mm
- B System screw, part number 661.1450.HG
- * Can be replaced with chipboard screw Ø 4 x 15 mm

Runner 551H – 30 kg									
NL	19*	37	133	147	165	261	284	325	
260–285	○●●	○●●	○●●						
310–435	○●●	○●●	○●●	○●●					
460–485	○●●	○●●	○●●			○●●	○●●		
510–535	○●●	○●●	○●●			○●●	○●●	○●●	
560	○●●	○●●	○●●			○●●	○●●	○●●	○●●

- NL Nominal length
- A Chipboard screw Ø 4 x 15 mm
- B System screw, part number 661.1450.HG
- * Can be replaced with chipboard screw Ø 4 x 15 mm



Assembly, adjustment and removal
www.blum.com/a_tandem



moving ideas

We believe that ideas can move the world. We offer innovative fittings, inspiring furniture concepts and appropriate services so that you can turn your creative ideas into reality. We are driven by your needs, international trends and our shared vision of a better quality of living. Let us work together to create moving ideas.



Quality of living

We would like you to enjoy greater convenience and functionality when using furniture.



Product range

Everything from a single source: our wide range of products allows you to keep up with today's and tomorrow's trends.



Inspiration

We monitor global trends and strive to create the solutions of tomorrow. We like to share our insights with you.



Innovation

We stay in motion. Curiosity and pioneering spirit drive us to develop new products and services for you.



Services

We support your daily operations with customised services tailored to your processes.



Quality

We continuously strive to improve our products, services and ourselves.



Trust

We take responsibility for partnerships, our employees, society and the environment.

Julius Blum started our journey in 1952 with horseshoe studs. Today we supply innovative fittings to customers in over 120 countries.

Julius Blum GmbH
Furniture Fittings Mfg.
6973 Höchst, Austria
Tel.: +43 5578 705-0
Fax: +43 5578 705-44
E-mail: info@blum.com
www.blum.com

Our sites in Austria, Poland and China are certified to the international standards mentioned below.
Our site in the USA is certified to ISO 9001.
Our site in Brazil is certified to ISO 9001, ISO 14001 and ISO 45001.



ISO 9001
Certified Quality
System



ISO 14001
Certified Environmental
System



ISO 50001
Certified Energy
System

 **blum**®



Look for our
FSC™-certified
products

All content is copyrighted by Blum.
Subject to technical modifications and changes to the range without notice.
IDNR: 000.000.0 · EP-545/4 EN-AL/06.23