

TANDEM 16 mm

The versatile runner system

Technical data sheet



Contents

Ordering and planning information

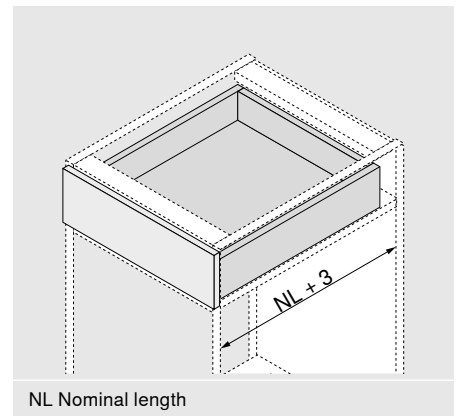
- 03 560H locking device feature – full extension – BLUMOTION
- 06 560H locking device feature – full extension – TIP-ON
- 08 550H locking device feature – single extension – BLUMOTION
- 11 550H locking device feature – single extension – TIP-ON
- 13 561H hook and peg feature – full extension – BLUMOTION
- 15 561H hook and peg feature – full extension – TIP-ON
- 17 551H hook and peg feature – single extension – BLUMOTION
- 19 551H hook and peg feature – single extension – TIP-ON
- 21 Accessories
- 23 SERVO-DRIVE for TANDEM
- 24 Fixing of runner
- 27 Assembly, removal and adjustment



560H locking device feature – full extension – BLUMOTION



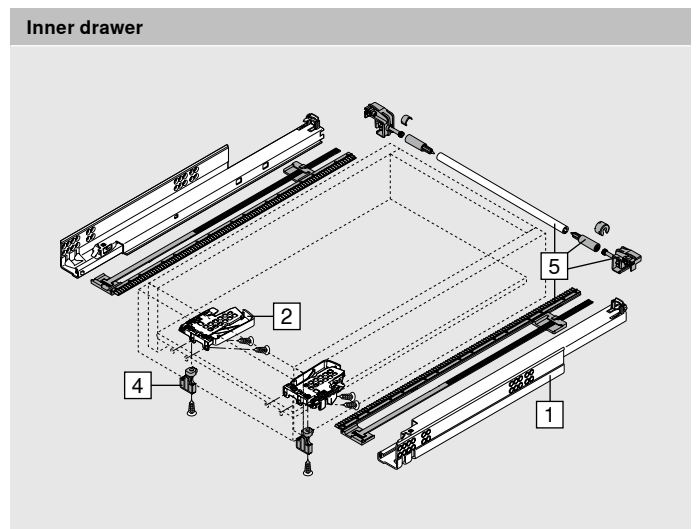
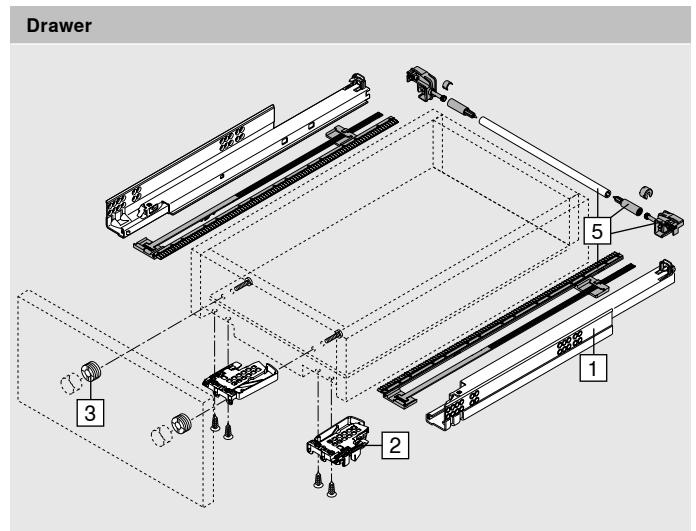
- Concealed TANDEM full extension for wooden drawers with a panel thickness of 11 to 16 mm
- Includes integrated BLUMOTION motion technology for soft and effortless closing
- Compatible with the SERVO-DRIVE electrical opening support system
- Low-friction cylindrical nylon rollers ensure a feather-light glide
- Tool-free height adjustment via a locking device
- Tool-free integrated front tilt adjustment



Ordering information

1	Runners left/right	
	Nominal length NL (mm)	30 kg
	250	560H2500B
	270	560H2700B
	300	560H3000B
	320	560H3200B
	350	560H3500B
	380	560H3800B
	400	560H4000B
	420	560H4200B
	450	560H4500B
	480	560H4800B
	500	560H5000B
	520	560H5200B
	550	560H5500B
	600	560H6000B

2	Locking device left/right		
	Colour	Material	
	Orange	Nylon/zinc	T51.1700.04
With height adjustment			
Order left/right			



560H locking device feature – full extension – BLUMOTION

Ordering information

Accessories

3	Front adjuster		
	Colour	Material	
	Natural	Nylon	295.1000
4	POSISTOP		
	Colour	Material	
	RAL 7037 dust grey	Nylon	298.5500
Depth stop			
Can only be combined with locking device T51.1700.04			
Only for inset applications			
5	Side stabilisation set for full extension		
	Colour	Material	
	RAL 7037 dust grey	Nylon	
	Nominal length NL (mm)		
	Up to 410		ZST.410TV
	Up to 600		ZST.600TV
Up to 750		ZST.750TV	
Suitable for cabinet width KB 1400 mm			
Cutting			
Internal cabinet width LW - 254 mm			
Nominal length NL + 12 mm			
Note			
We recommend using a side stabiliser with wide pull-outs with a short nominal length			

560H locking device feature – full extension – BLUMOTION

Planning

Space requirements in the cabinet

* +3 mm with side stabilisation

Drawer/inner drawer

LW Internal cabinet width
SKW Internal drawer width

Drawer

NL Nominal length
SKL Drawer length
* Additional +12 mm with side stabilisation

Inner drawer

ISKL Inner drawer length
NL Nominal length
SKL Drawer length
X Front thickness
* Additional +2 mm with POSISTOP

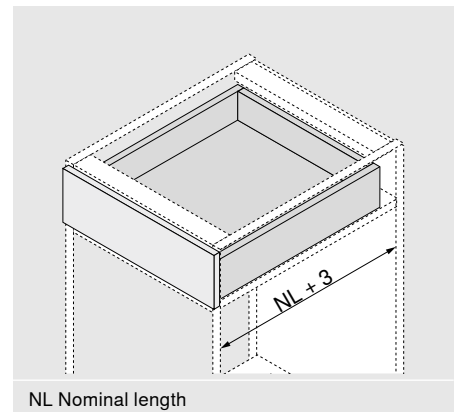
Drawer assembly

Use drilling template T65.1000.02

560H locking device feature – full extension – TIP-ON



- Concealed TANDEM full extension for wooden drawers with a panel thickness of 11 to 16 mm
- Includes integrated TIP-ON motion technology – the mechanical opening support system
- Low-friction cylindrical nylon rollers ensure a feather-light glide
- Tool-free height adjustment via a locking device
- Tool-free integrated front tilt adjustment
- Tool-free integrated depth adjustment
- Recommendation: optional TIP-ON synchronisation for secure triggering even with wide fronts



Ordering information

1	Runners left/right	
	Nominal length NL (mm)	30 kg
	250	560H2500T
	270	560H2700T
	300	560H3000T
	320	560H3200T
	350	560H3500T
	380	560H3800T
	400	560H4000T
	420	560H4200T
	450	560H4500T
	480	560H4800T
	500	560H5000T
	520	560H5200T
	550	560H5500T
	600	560H6000T

2	Locking device left/right		
	Colour	Material	
	Orange	Nylon/zinc	T51.1700.04

With height adjustment
Order left/right

Accessories

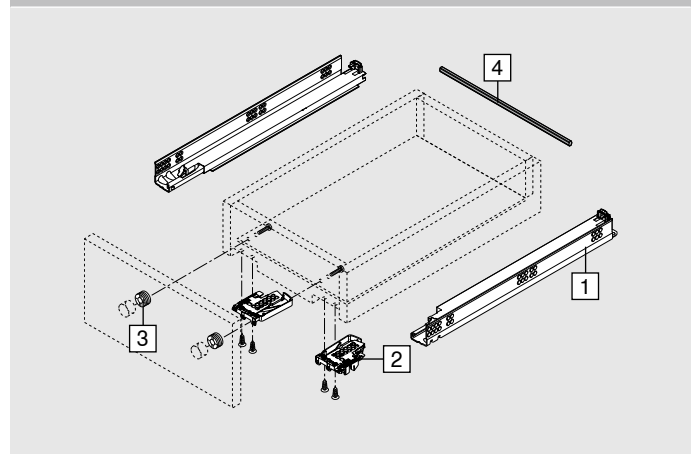
3	Front adjuster		
	Colour	Material	
	Natural	Nylon	295.1000

4	TIP-ON synchronisation linkage		
	Cabinet width KB (mm)	Version	
	Up to 1200	Profile linkage	T57.1140S

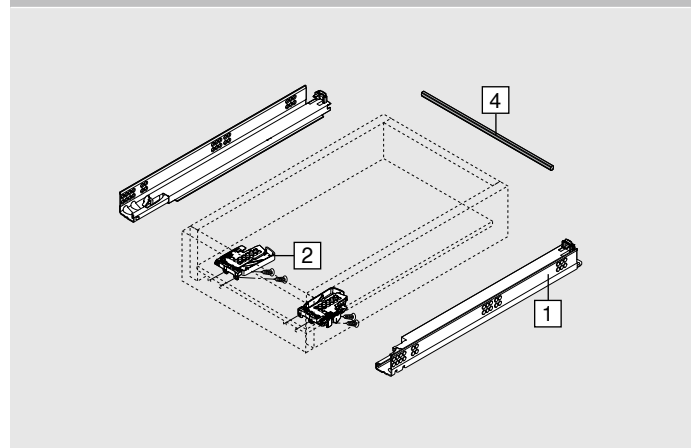
For cutting to size

We recommend the use of a synchronisation linkage for every cabinet width.
Cutting dimensions: internal cabinet width LW - 31 mm

Drawer

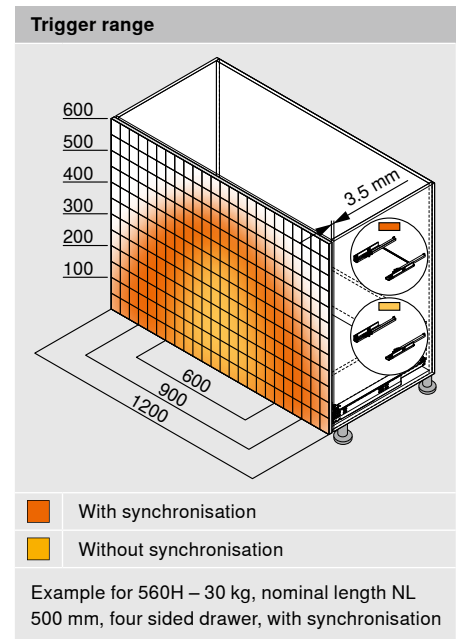
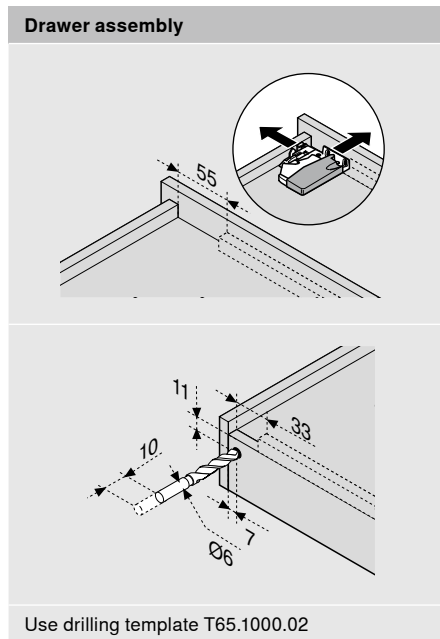
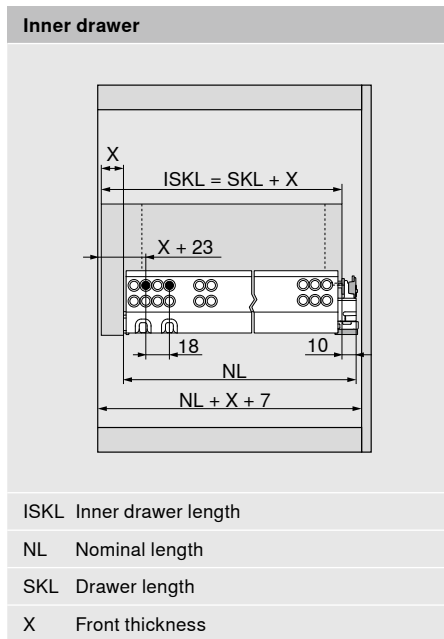
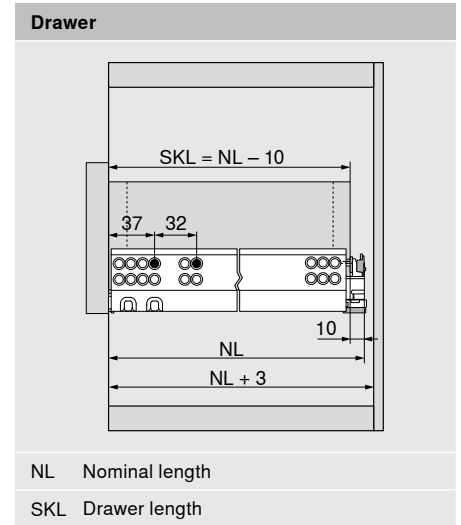
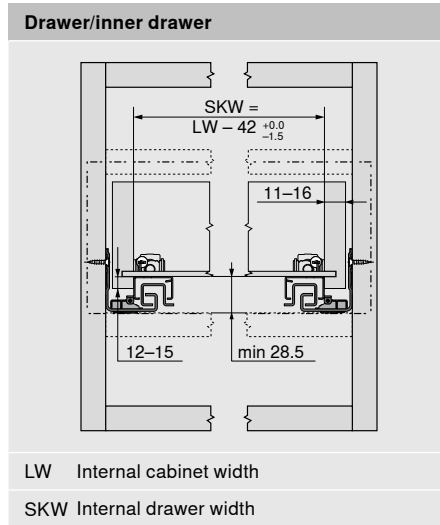
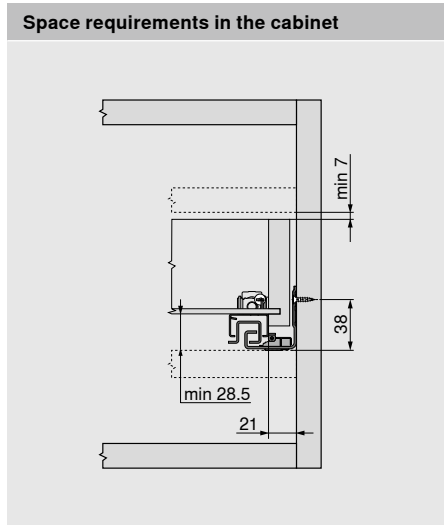


Inner drawer



560H locking device feature – full extension – TIP-ON

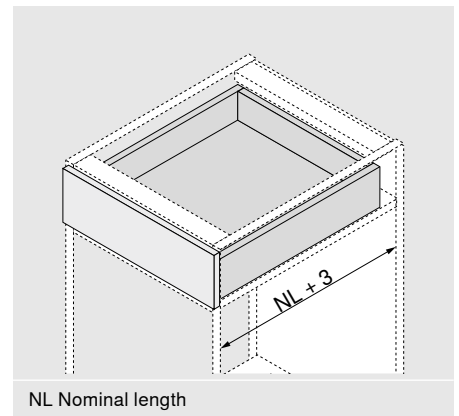
Planning



550H locking device feature – single extension – BLUMOTION



- Concealed TANDEM single extension for wooden drawers with a panel thickness of 11 to 16 mm
- With soft end stop when opening and integrated BLUMOTION motion technology for soft and effortless closing
- Compatible with the SERVO-DRIVE electrical opening support system
- Low-friction cylindrical nylon rollers ensure a feather-light glide
- Tool-free height adjustment via a locking device



Ordering information

1	Runners left/right	
	Nominal length NL (mm)	30 kg
	270	550H2700B
	300	550H3000B
	350	550H3500B
	400	550H4000B
	450	550H4500B
	500	550H5000B
	550	550H5500B
	600	550H6000B
	650	550H6500B

2	Locking device left/right		
	Colour	Material	
	Orange	Nylon/zinc	T51.1700.04

With height adjustment

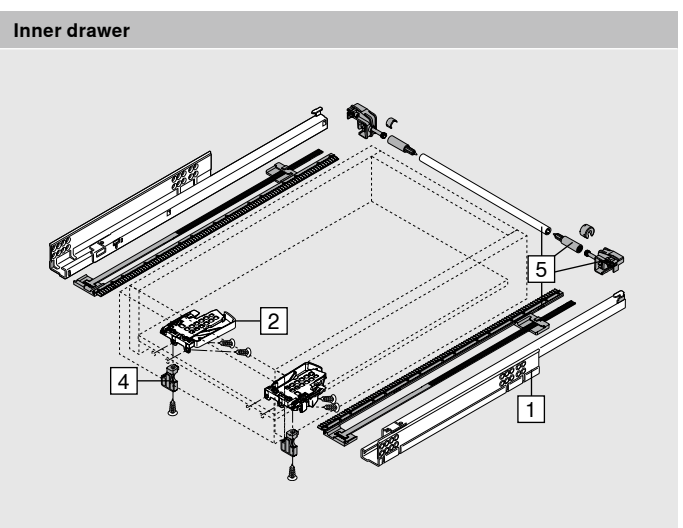
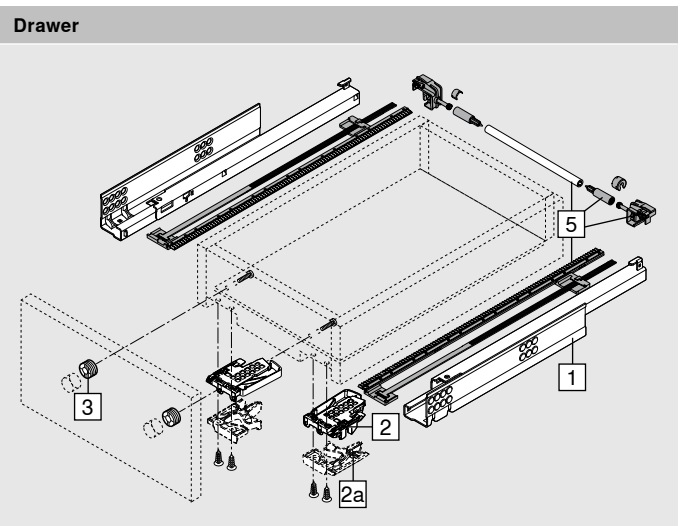
Order left/right

Alternative to 2

2a	Single part locking device left/right		
	Colour	Material	
	RAL 7037 dust grey	Nylon	T51.1400

Order left/right

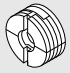
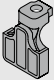

Cannot be combined with POSISTOP



550H locking device feature – single extension – BLUMOTION

Ordering information

Accessories

3	Front adjuster		
	Colour	Material	
	Natural	Nylon	295.1000
4	POSISTOP		
	Colour	Material	
	RAL 7037 dust grey	Nylon	298.5500
Depth stop			
Can only be combined with locking device T51.1700.04			
Only for inset applications			
5	Side stabilisation set for single extension		
	Colour	Material	
	RAL 7037 dust grey	Nylon	
	Nominal length NL (mm)		
	Up to 410		ZST.410TT
Up to 650		ZST.650TT	
Suitable for cabinet width KB 1400 mm			
Cutting			
Internal cabinet width LW - 222 mm			
Nominal length NL + 12 mm			
Note			
We recommend using a side stabiliser with wide pull-outs with a short nominal length			

550H locking device feature – single extension – BLUMOTION

Planning

Space requirements in the cabinet

A 3 mm distance for interchange with full extension

* +3 mm with side stabilisation

Drawer/inner drawer

LW Internal cabinet width

SKW Internal drawer width

Drawer

NL Nominal length

SKL Drawer length

* Additional +12 mm with side stabilisation

Inner drawer

ISKL Inner drawer length

NL Nominal length

SKL Drawer length

X Front thickness

* Additional +2 mm with POSISTOP

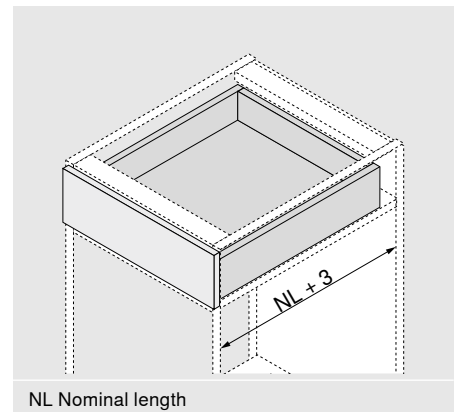
Drawer assembly

Use drilling template T65.1000.02

550H locking device feature – single extension – TIP-ON



- Concealed TANDEM single extension for wooden drawers with a panel thickness of 11 to 16 mm
- With soft end stop when opening
- Includes integrated TIP-ON motion technology – the mechanical opening support system
- Low-friction cylindrical nylon rollers ensure a feather-light glide
- Tool-free height adjustment via a locking device
- Tool-free integrated depth adjustment
- Recommendation: optional TIP-ON synchronisation for secure triggering even with wide fronts



Ordering information

1	Runners left/right	
	Nominal length NL (mm)	30 kg
	270	550H2700T
	300	550H3000T
	350	550H3500T
	400	550H4000T
	450	550H4500T
	500	550H5000T
	550	550H5500T
	600	550H6000T
	650	550H6500T

2	Locking device left/right	
	Colour	Material
	Orange	Nylon/zinc
		T51.1700.04
With height adjustment		
Order left/right		

Alternative to 2

2a	Single part locking device left/right	
	Colour	Material
	RAL 7037 dust grey	Nylon
		T51.1400
Order left/right		
Cannot be combined with POSISTOP		

Accessories

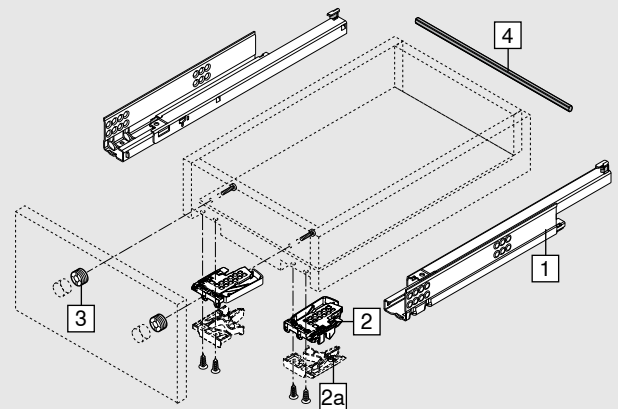
3	Front adjuster	
	Colour	Material
	Natural	Nylon
		295.1000

4	TIP-ON synchronisation linkage		
	Cabinet width KB (mm)	Version	
	Up to 1200	Profile linkage	T57.1140S

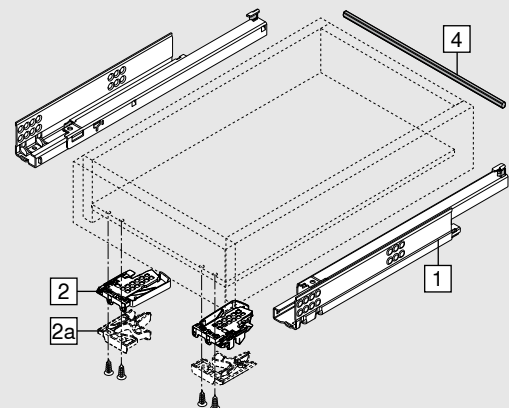
For cutting to size

We recommend the use of a synchronisation linkage for every cabinet width.
Cutting dimensions: internal cabinet width LW - 31 mm

Drawer

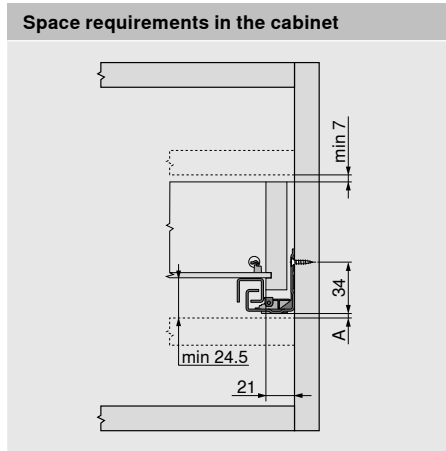


Inner drawer

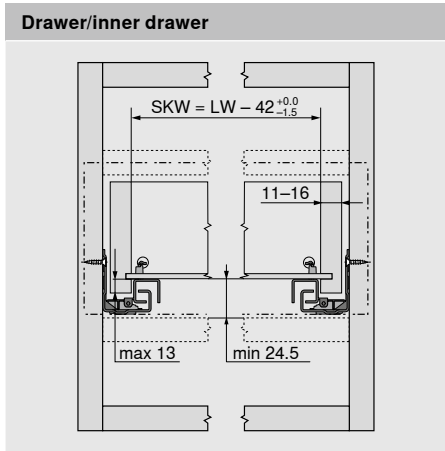


550H locking device feature – single extension – TIP-ON

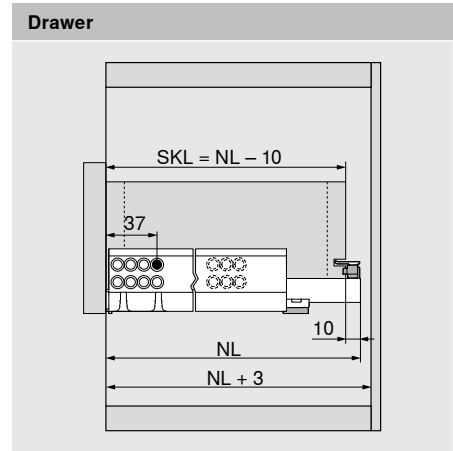
Planning



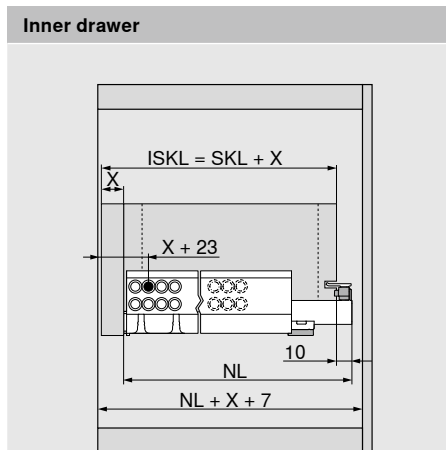
A 3 mm distance for interchange with full extension



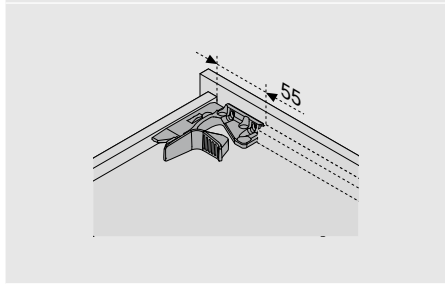
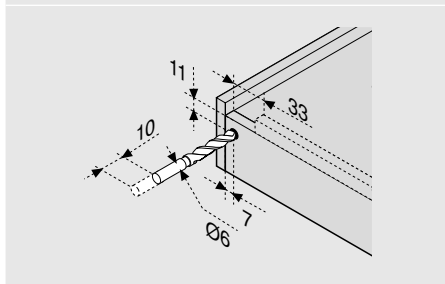
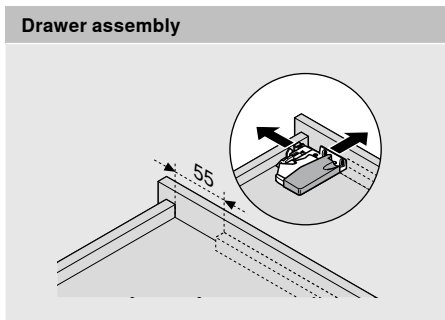
LW Internal cabinet width
SKW Internal drawer width



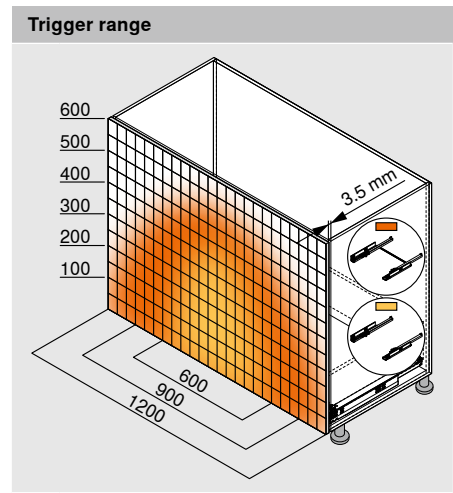
NL Nominal length
SKL Drawer length



ISKL Inner drawer length
NL Nominal length
SKL Drawer length
X Front thickness



Use drilling template T65.1000.02



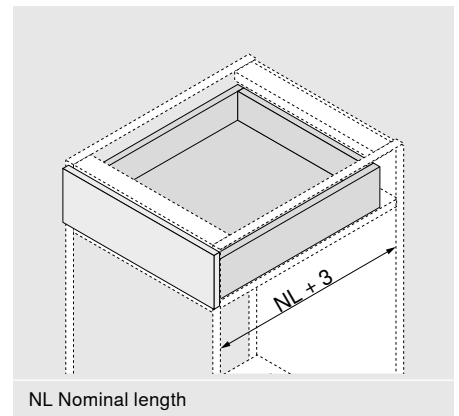
With synchronisation
Without synchronisation

Example for 560H – 30 kg, nominal length NL 500 mm, four sided drawer, with synchronisation

561H hook and peg feature – full extension – BLUMOTION

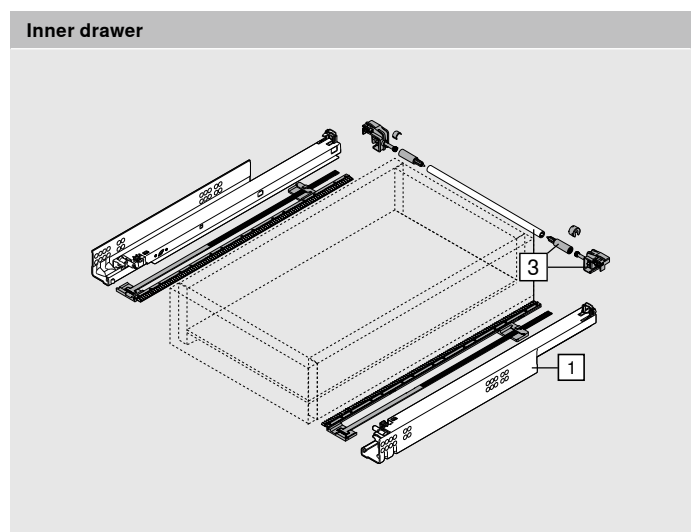
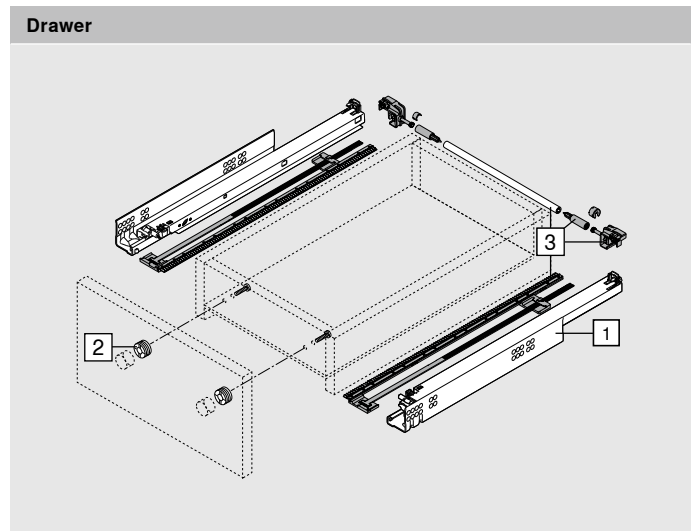


- Concealed TANDEM full extension for wooden drawers with a panel thickness of 11 to 16 mm
- Includes integrated BLUMOTION motion technology for soft and effortless closing
- Compatible with the SERVO-DRIVE electrical opening support system
- Low-friction cylindrical nylon rollers ensure a feather-light glide
- Lift-off stop and height adjustment integrated into the runner system
- Tool-free integrated front tilt adjustment



Ordering information

1	Runners left/right	
	Nominal length NL (mm)	30 kg
	260	561H2601B
	285	561H2851B
	310	561H3101B
	335	561H3351B
	360	561H3601B
	385	561H3851B
	410	561H4101B
	435	561H4351B
	460	561H4601B
	485	561H4851B
	510	561H5101B
	535	561H5351B
	560	561H5601B



Accessories

2	Front adjuster		
	Colour	Material	
	Natural	Nylon	295.1000

3	Side stabilisation set for full extension		
	Colour	Material	
	RAL 7037 dust grey	Nylon	
	Nominal length NL (mm)		
	Up to 410	ZST.410TV	
Up to 600	ZST.600TV		
Up to 750	ZST.750TV		

Suitable for cabinet width KB 1400 mm

Cutting

Internal cabinet width LW - 254 mm

Nominal length NL + 12 mm

Note

We recommend using a side stabiliser with wide pull-outs with a short nominal length

561H hook and peg feature – full extension – BLUMOTION

Planning

Space requirements in the cabinet

* +3 mm with side stabilisation

Drawer/inner drawer

LW Internal cabinet width
SKW Internal drawer width

Drawer

NL Nominal length
SKL Drawer length
* Additional +12 mm with side stabilisation

Inner drawer

ISKL Inner drawer length
NL Nominal length
SKL Drawer length
X Front thickness

Drawer assembly

Use drilling template T65.1000.02

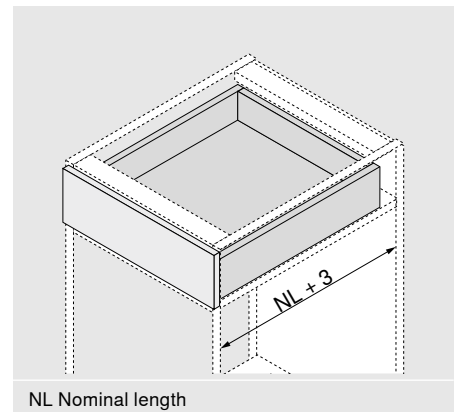
Drawer assembly

Nominal length NL (mm)	Hook X2 (mm)	Lift-off stop X3 (mm)
260	205	185
285	220	200
310	230	242
335	245	257
360	275	287
385	285	297
410	300	344
435	310	354
460	335	379
485	350	394
510	360	436
535	375	451
560	405	481

561H hook and peg feature – full extension – TIP-ON

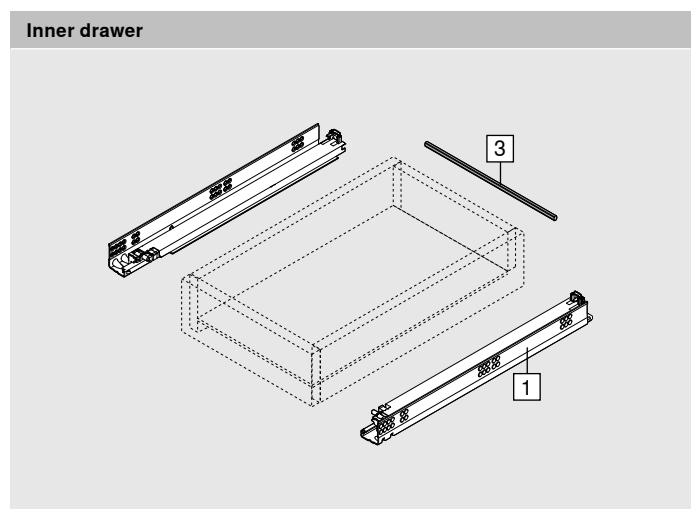
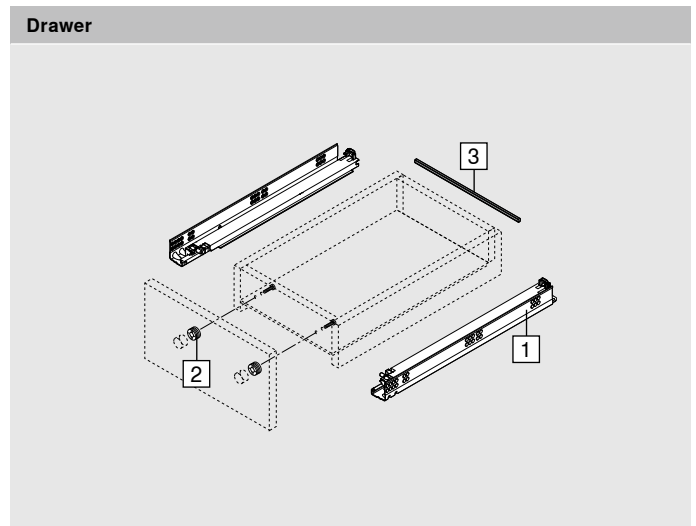


- Concealed TANDEM full extension for wooden drawers with a panel thickness of 11 to 16 mm
- Includes integrated TIP-ON motion technology – the mechanical opening support system
- Low-friction cylindrical nylon rollers ensure a feather-light glide
- Integrated lift-off stop and height and front tilt adjustment
- Tool-free integrated depth adjustment
- Recommendation: optional TIP-ON synchronisation for secure triggering even with wide fronts



Ordering information

1	Runners left/right	
	Nominal length NL (mm)	30 kg
	260	561H2601T
	285	561H2851T
	310	561H3101T
	335	561H3351T
	360	561H3601T
	385	561H3851T
	410	561H4101T
	435	561H4351T
	460	561H4601T
	485	561H4851T
	510	561H5101T
	535	561H5351T
	560	561H5601T



Accessories

2	Front adjuster		
	Colour	Material	
	Natural	Nylon	295.1000

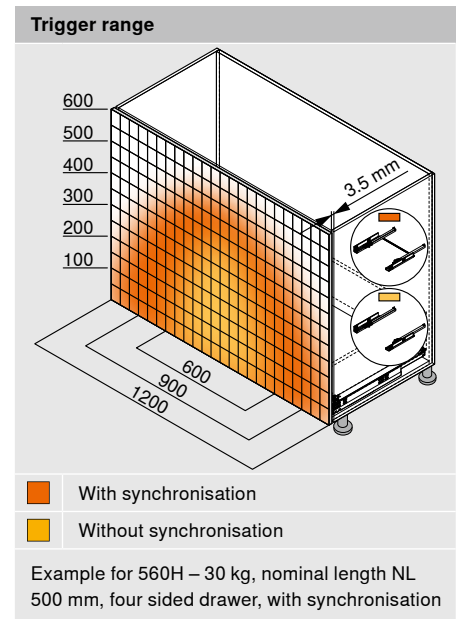
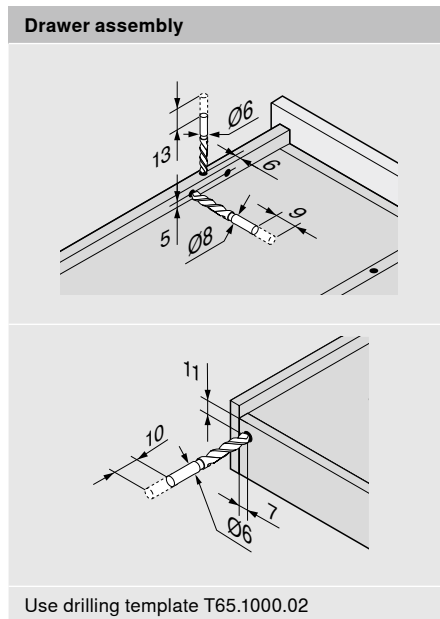
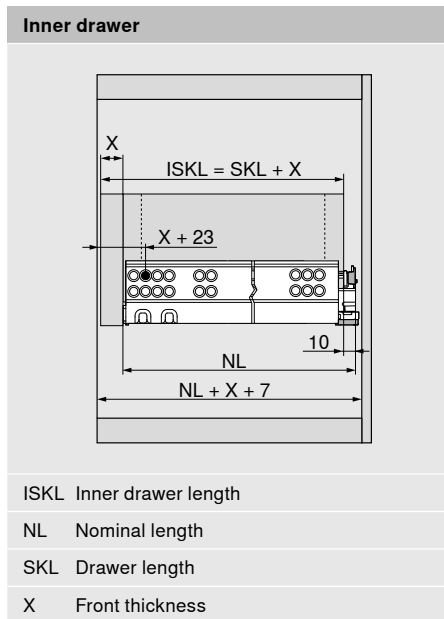
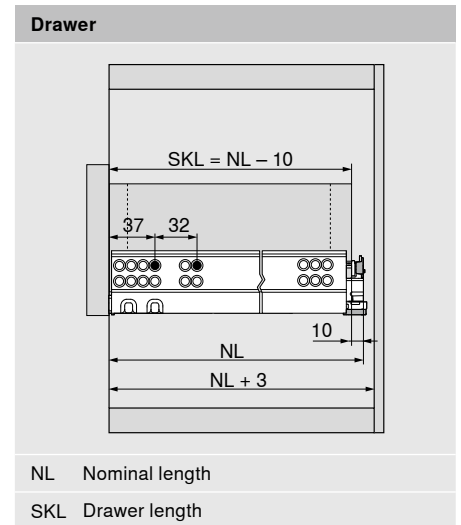
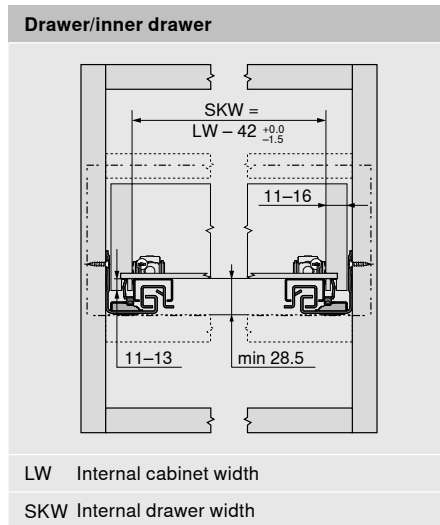
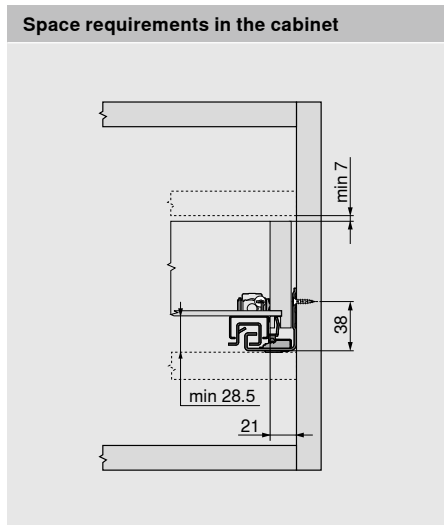
3	TIP-ON synchronisation linkage		
	Cabinet width KB (mm)	Version	
	Up to 1200	Profile linkage	T57.1140S

For cutting to size

We recommend the use of a synchronisation linkage for every cabinet width.
Cutting dimensions: internal cabinet width LW - 31 mm

561H hook and peg feature – full extension – TIP-ON

Planning



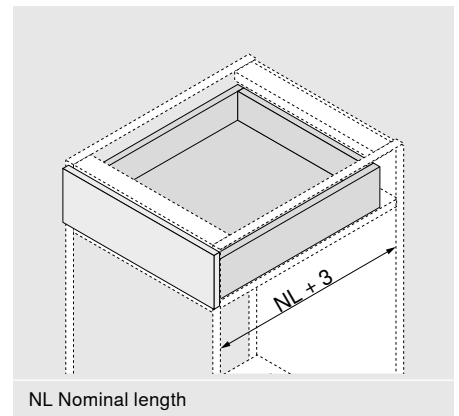
Drawer assembly

Nominal length NL (mm)	Hook X2 (mm)	Lift-off stop X3 (mm)
260	205	185
285	220	200
310	230	242
335	245	257
360	275	287
385	285	297
410	300	344
435	310	354
460	335	379
485	350	394
510	360	436
535	375	451
560	405	481

551H hook and peg feature – single extension – BLUMOTION

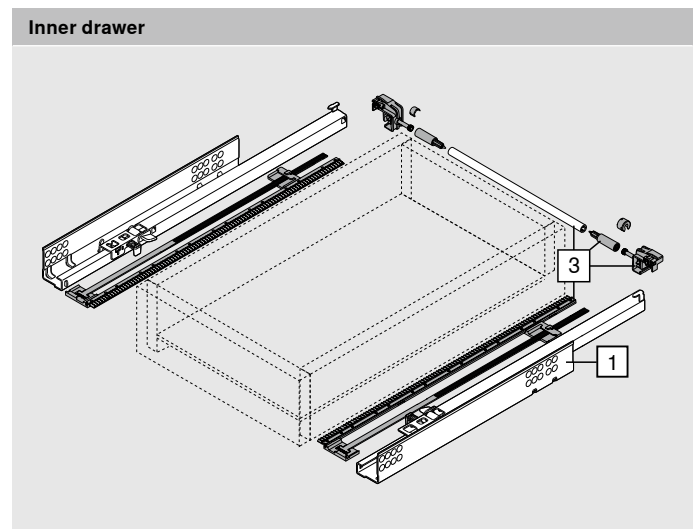
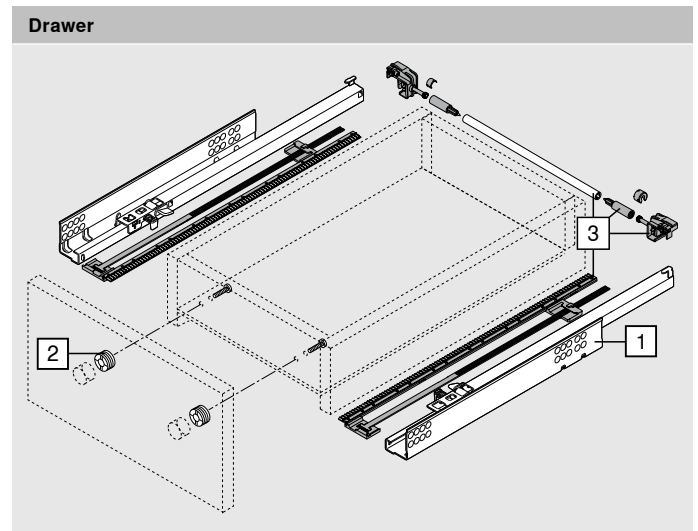
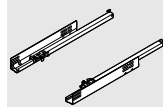


- Concealed TANDEM single extension for wooden drawers with a panel thickness of 11 to 16 mm
- With soft end stop when opening and integrated BLUMOTION motion technology for soft and effortless closing
- Compatible with the SERVO-DRIVE electrical opening support system
- Low-friction cylindrical nylon rollers ensure a feather-light glide
- Lift-off stop and height adjustment integrated into the runner system



Ordering information

1	Runners left/right	
	Nominal length NL (mm)	30 kg
	260	551H2601B
	285	551H2851B
	310	551H3101B
	335	551H3351B
	360	551H3601B
	385	551H3851B
	410	551H4101B
	435	551H4351B
	460	551H4601B
	485	551H4851B
	510	551H5101B
	535	551H5351B
	560	551H5601B



Accessories

2	Front adjuster		
	Colour	Material	
	Natural	Nylon	295.1000



3	Side stabilisation set for single extension		
	Colour	Material	
	RAL 7037 dust grey	Nylon	
	Nominal length NL (mm)		
Up to 410		ZST.410TT	
Up to 650		ZST.650TT	



Suitable for cabinet width KB 1400 mm

Cutting

Internal cabinet width LW - 222 mm

Nominal length NL + 12 mm

Note

We recommend using a side stabiliser with wide pull-outs with a short nominal length

551H hook and peg feature – single extension – BLUMOTION

Planning

Space requirements in the cabinet

* +3 mm with side stabilisation

Drawer/inner drawer

LW Internal cabinet width
SKW Internal drawer width

Drawer

NL Nominal length
SKL Drawer length
* Additional +12 mm with side stabilisation

Inner drawer

ISKL Inner drawer length
NL Nominal length
SKL Drawer length
X Front thickness

Drawer assembly

Use drilling template T65.1000.02

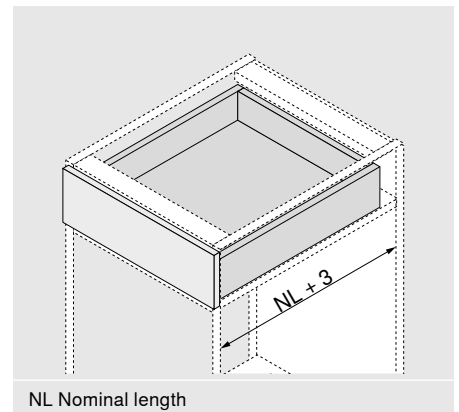
Drawer assembly

Nominal length NL (mm)	Hook X2 (mm)	Lift-off stop X1 (mm)
260	205	185
285	220	200
310	230	210
335	245	225
360	275	255
385	285	265
410	300	280
435	310	290
460	335	315
485	350	330
510	360	340
535	375	355
560	405	385

551H hook and peg feature – single extension – TIP-ON

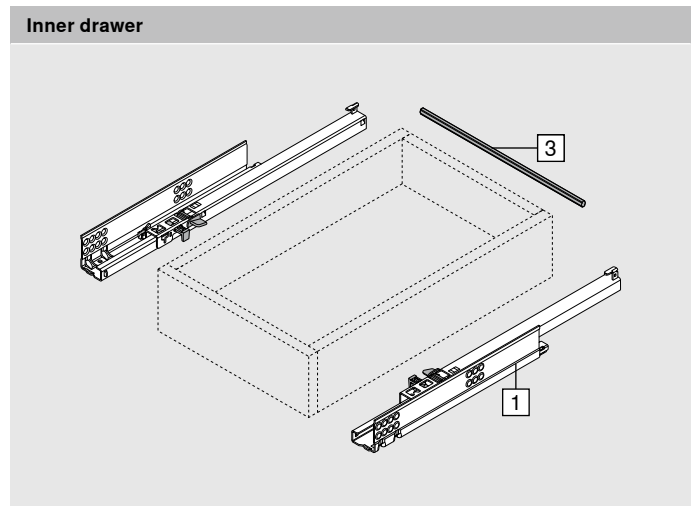
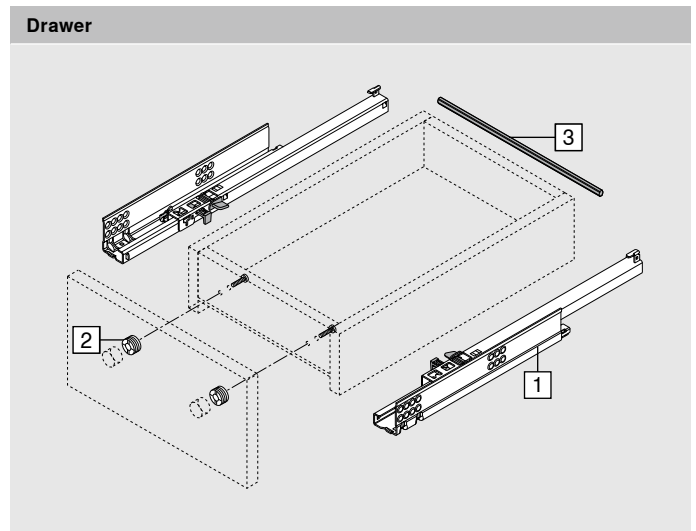
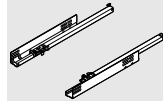


- Concealed TANDEM single extension for wooden drawers with a panel thickness of 11 to 16 mm
- Includes integrated TIP-ON motion technology – the mechanical opening support system
- Low-friction cylindrical nylon rollers ensure a feather-light glide
- Lift-off stop and height adjustment integrated into the runner system
- Tool-free integrated depth adjustment
- Recommendation: optional TIP-ON synchronisation for secure triggering even with wide fronts



Ordering information

1	Runners left/right	
	Nominal length NL (mm)	30 kg
	260	551H2601T
	285	551H2851T
	310	551H3101T
	335	551H3351T
	360	551H3601T
	385	551H3851T
	410	551H4101T
	435	551H4351T
	460	551H4601T
	485	551H4851T
	510	551H5101T
	535	551H5351T
	560	551H5601T



Accessories

2	Front adjuster		
	Colour	Material	
	Natural	Nylon	295.1000

3	TIP-ON synchronisation linkage		
	Cabinet width KB (mm)	Version	
	Up to 1200	Profile linkage	T57.1140S

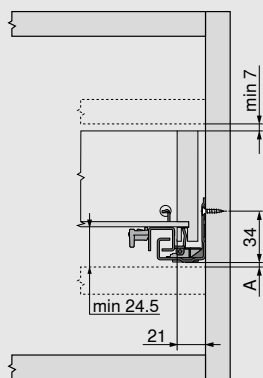
For cutting to size

We recommend the use of a synchronisation linkage for every cabinet width.
Cutting dimensions: internal cabinet width LW - 31 mm

551H hook and peg feature – single extension – TIP-ON

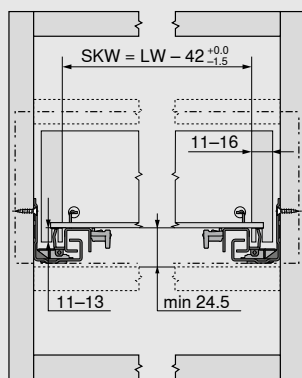
Planning

Space requirements in the cabinet



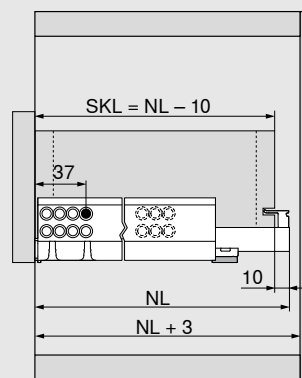
A 3 mm distance for interchange with full extension

Drawer/inner drawer



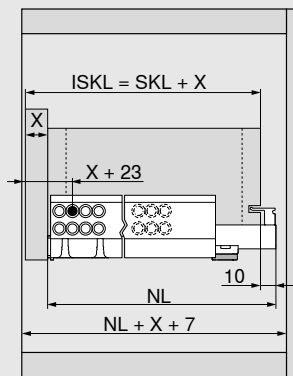
LW Internal cabinet width
SKW Internal drawer width

Drawer



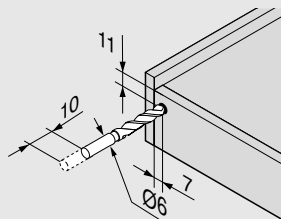
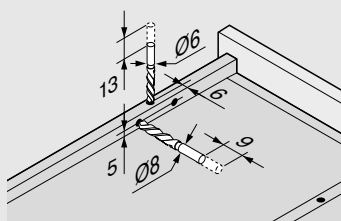
NL Nominal length
SKL Drawer length

Inner drawer



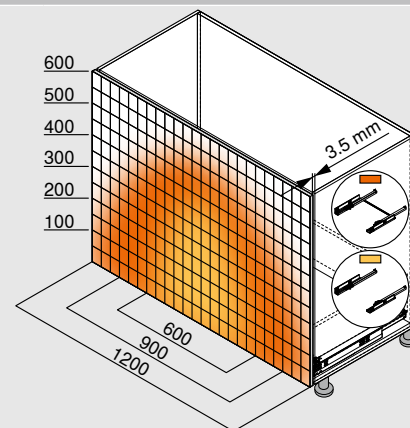
ISKL Inner drawer length
NL Nominal length
SKL Drawer length
X Front thickness

Drawer assembly



Use drilling template T65.1000.02

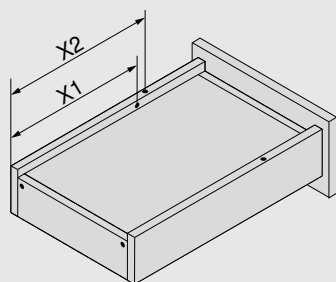
Trigger range



With synchronisation
Without synchronisation

Example for 560H – 30 kg, nominal length NL 500 mm, four sided drawer, with synchronisation

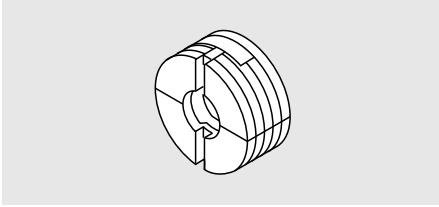
Drawer assembly



Nominal length NL (mm)	Hook X2 (mm)	Lift-off stop X1 (mm)
260	205	185
285	220	200
310	230	210
335	245	225
360	275	255
385	285	265
410	300	280
435	310	290
460	335	315
485	350	330
510	360	340
535	375	355
560	405	385

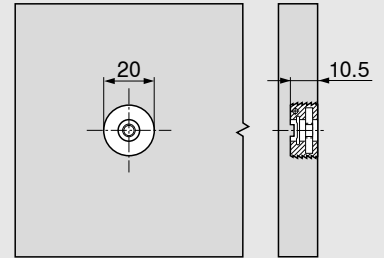
Accessories

Front adjuster



- With threaded steel washer insert
- For 4-sided drawers
- 2-dimensional front adjustment (± 2 mm)

Planning

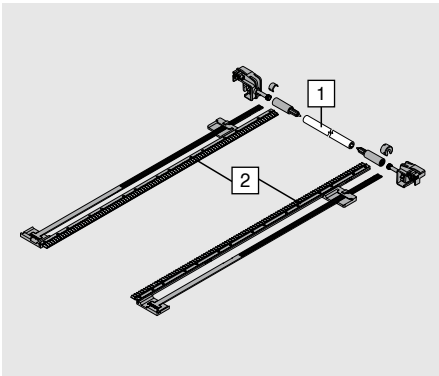


Insertion ram for MINIPRESS + PRO-CENTER
MZM.0095

Ordering information

Colour	Material	
Natural	Nylon	295.1000

Side stabilisation set for full extension



- For cutting to size
- Suitable for cabinet width KB 1400 mm
- Suitable for:
- TANDEM full extension BLUMOTION – 560H | 561H
- Ideal for wide pull-outs with short nominal lengths
- Not compatible with TIP-ON

We recommend using a side stabiliser with wide pull-outs with a short nominal length.

Ordering information

Colour	Material
RAL 7037 dust grey	Nylon

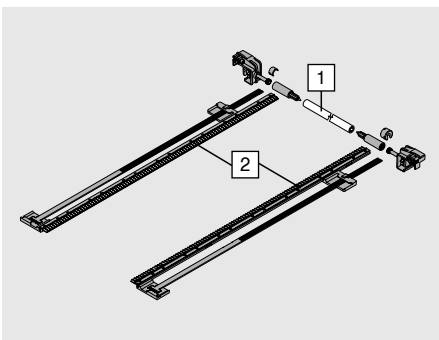
Nominal length NL (mm)

Up to 410	ZST.410TV
Up to 600	ZST.600TV
Up to 750	ZST.750TV

Cutting

- 1 Internal cabinet width LW - 254 mm
- 2 Nominal length NL + 12 mm

Side stabilisation set for single extension



- For cutting to size
- Suitable for cabinet width KB 1400 mm
- Suitable for:
- TANDEM single extension BLUMOTION – 550H | 551H
- Ideal for wide pull-outs with short nominal lengths
- Not compatible with TIP-ON

We recommend using a side stabiliser with wide pull-outs with a short nominal length.

Ordering information

Colour	Material
RAL 7037 dust grey	Nylon

Nominal length NL (mm)

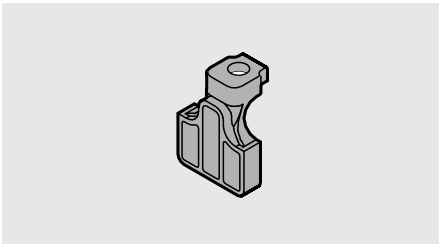
Up to 410	ZST.410TT
Up to 650	ZST.650TT

Cutting

- 1 Internal cabinet width LW - 222 mm
- 2 Nominal length NL + 12 mm

Accessories

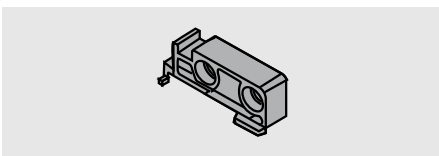
POSISTOP



- Depth stop
- Suitable for:
TANDEM full extension BLUMOTION – 560F
TANDEM single extension BLUMOTION – 550F
- Can only be combined with locking device T51.1700.04
- Only for inset applications

Ordering information	
Colour	Material
RAL 7037 dust grey	Nylon
298.5500	

Back fixing bracket for pull-out shelf



- Not required when using pull-out shelf lock

Ordering information	
Colour	Material
Natural	Nylon
T51.7000.01	

Pull-out shelf lock

-	Locking unit		
	Colour	Material	
	Orion grey matt	Nylon	295.5710
Order left/right			
Fixing only possible with chipboard screws Ø 3.5 x 15 mm, part no. 609.1500			

-	Latching element		
	Colour	Material	
	Orion grey matt	Nylon	295H5730
Fixing with chipboard screws Ø 3.5 x 15 mm, part no. 609.1500 or system screws, part no. 661.1450.HG			

-	Synchronisation shaft		
	Version	Material	
	Round	Aluminium	ZST.1089W
	Alternative		ZST.1160W
Cutting dimensions: LW - 87 ± 1 mm			
Pull-out shelf lock can be released with one hand thanks to synchronisation shaft			

You can find further information on the pull-out shelf lock in TD-133 Pull-out shelf lock

i	Note
During assembly of the pull-out shelf lock, make sure that you leave the tilt adjustment at the factory setting!	



SERVO-DRIVE for TANDEM

More information about SERVO-DRIVE for TANDEM can be found in TD-116 SERVO-DRIVE for MOVENTO and TANDEM



<https://blum.com/CrUe2uyL>

BLUMOTION

Attachment of runners 560H/561H

Runner 560H – 30 kg												
Nominal length NL (mm)												
NL	19	37	69	133	165	229	243	261	284	325		
250–270												+
300–380												
400–420												
450–480												
500–550												
600												
A	Chipboard screw Ø 4 x 15 mm											
B	System screw Ø 6 x 14.5 mm, part no 661.1450.HG											

Runner 561H – 30 kg												
Nominal length NL (mm)												
NL	19	37	69	133	165	229	243	261	284	325		
260												+
285												
310–335												
360–385												
410												
435–485												
510–535												
560												
A	Chipboard screw Ø 4 x 15 mm											
B	System screw Ø 6 x 14.5 mm, part no 661.1450.HG											

TIP-ON

Attachment of runners 560H/561H

Runner 560H – 30 kg																			
Nominal length NL (mm)																			
NL	19	37	69	133	165	197	229	243	261	284	325	357	389	421	453	485	517	549	
250–270	○●	○●	○●	○●	○●	○●													
300–320	○●	○●	○●	○●	○●														
350	○●	○●	○●	○●	○●														
380	○●	○●	○●	○●	○●														
400	○●	○●	○●	○●	○●														
420	○●	○●	○●	○●	○●														
450	○●	○●	○●	○●	○●														
480	○●	○●	○●	○●	○●														
500	○●	○●	○●	○●	○●														
520	○●	○●	○●	○●	○●														
550	○●	○●	○●	○●	○●														
600	○●	○●	○●																

A Chipboard screw Ø 4 x 15 mm

B System screw Ø 6 x 14.5 mm, part no 661.1450.HG

Runner 561H – 30 kg																	
Nominal length NL (mm)																	
NL	19	37	69	133	165	229	243	261	284	293	325	357	389	421	453	485	517
260	○●	○●	○●	○●	○●	○●											
285	○●	○●	○●	○●	○●												
310	○●	○●	○●	○●	○●												
335	○●	○●	○●	○●	○●												
360	○●	○●	○●	○●	○●												
385	○●	○●	○●	○●	○●												
410	○●	○●	○●	○●	○●												
435	○●	○●	○●	○●	○●												
460	○●	○●	○●	○●	○●												
485	○●	○●	○●	○●	○●												
510	○●	○●	○●	○●	○●												
535	○●	○●	○●														
560	○●	○●	○●														

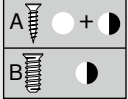
A Chipboard screw Ø 4 x 15 mm

B System screw Ø 6 x 14.5 mm, part no 661.1450.HG

BLUMOTION and TIP-ON

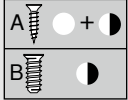
Attachment of runners 550H/551H

Runner 550H – 30 kg										
Nominal length NL (mm)										
NL	19*	37	133	147	165	261	284	325	389	
270										
300–450										
500–550										
600										
650										



- A Chipboard screw Ø 4 x 15 mm
- B System screw Ø 6 x 14.5 mm, part no 661.1450.HG
- * Can be replaced with chipboard screw Ø 4 x 15 mm

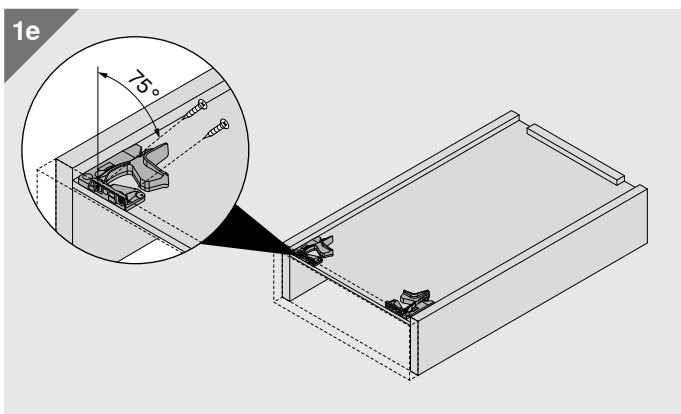
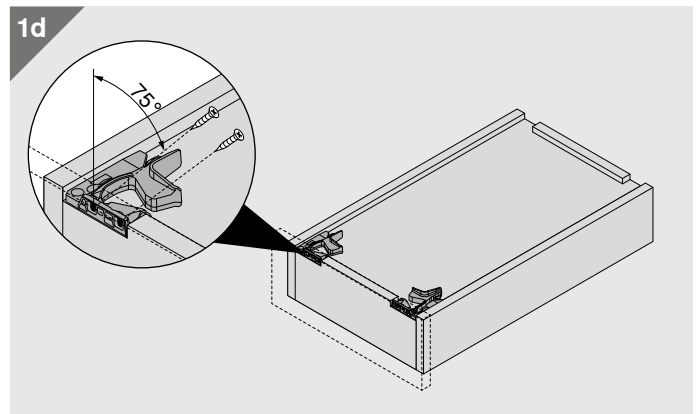
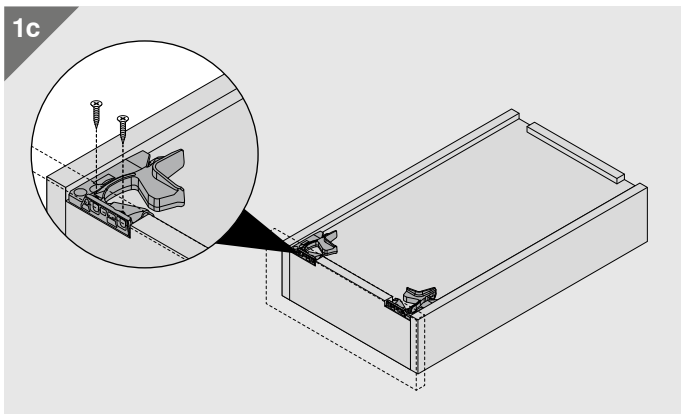
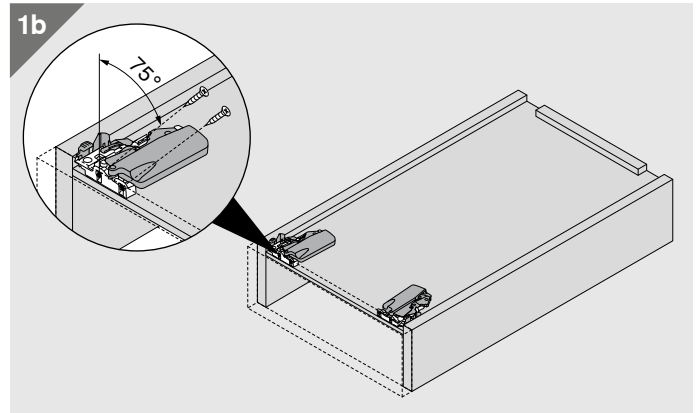
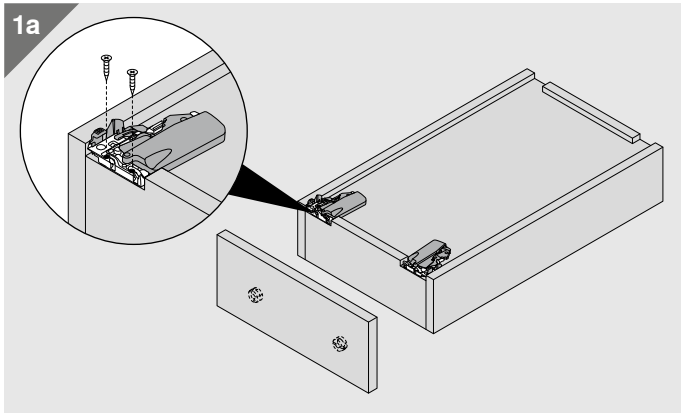
Runner 551H – 30 kg										
Nominal length NL (mm)										
NL	19*	37	133	147	165	261	284	325		
260–285										
310–435										
460–485										
510–535										
560										



- A Chipboard screw Ø 4 x 15 mm
- B System screw Ø 6 x 14.5 mm, part no 661.1450.HG
- * Can be replaced with chipboard screw Ø 4 x 15 mm

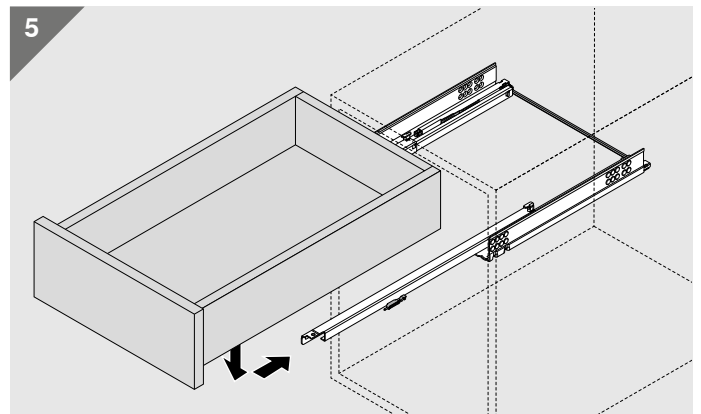
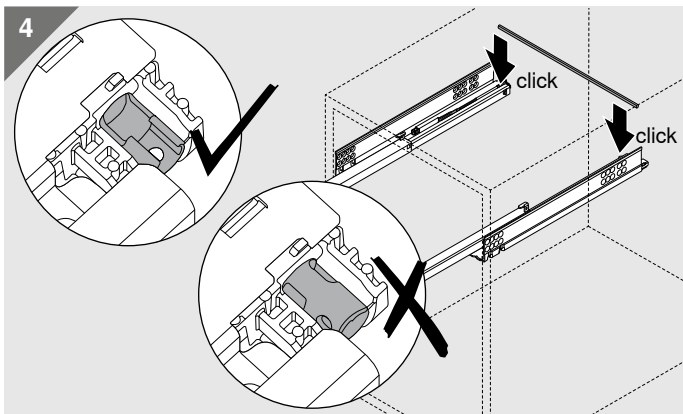
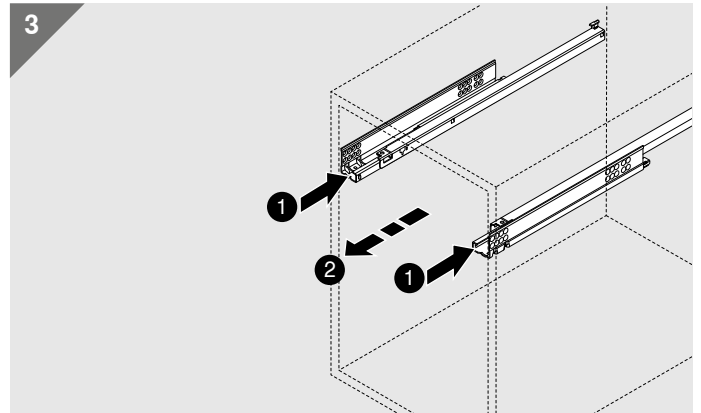
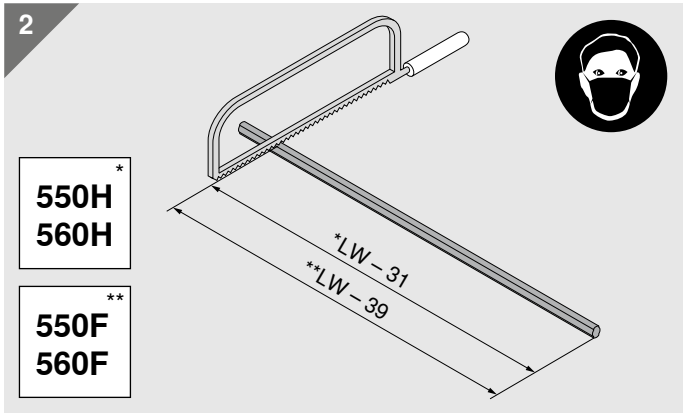
Locking device feature

Assembly

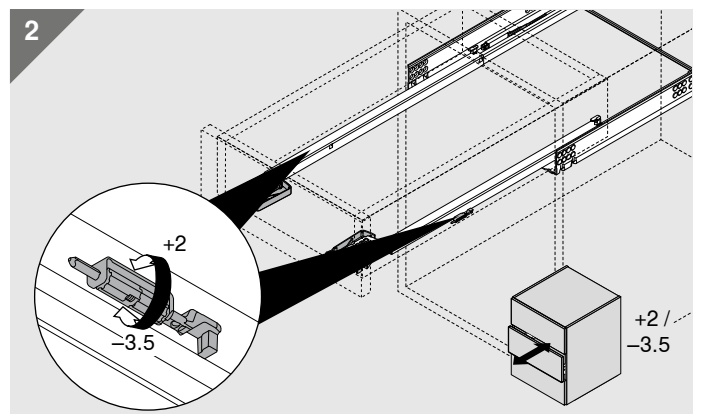
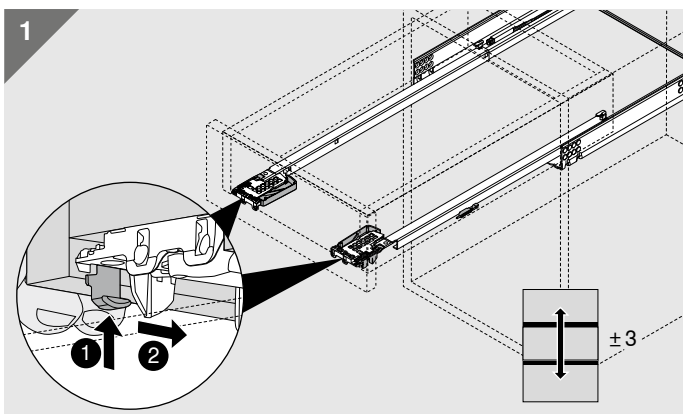


Locking device feature

Assembly

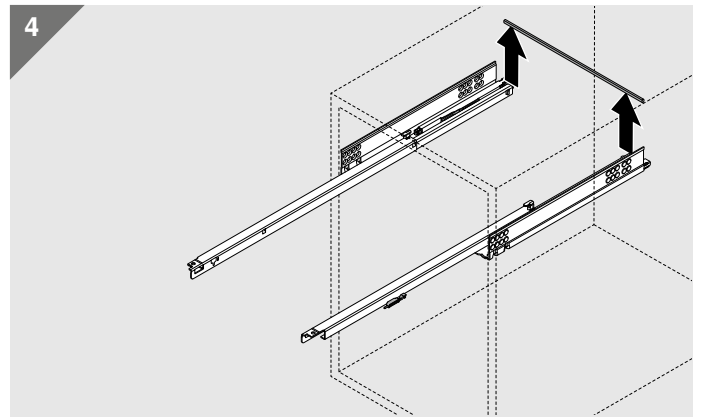
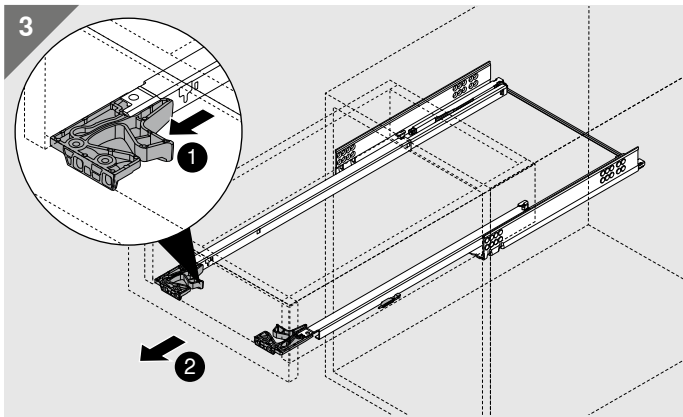
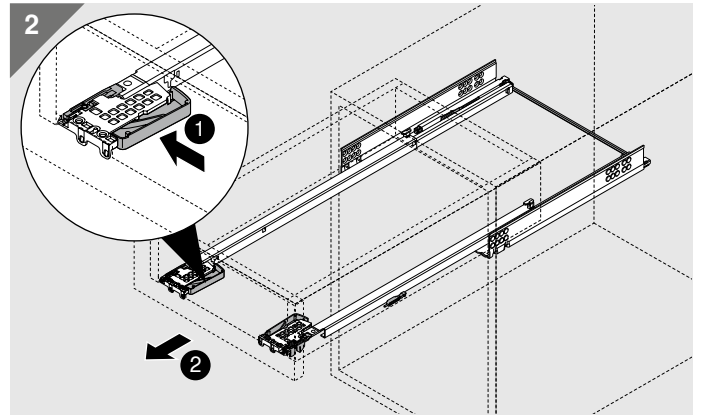
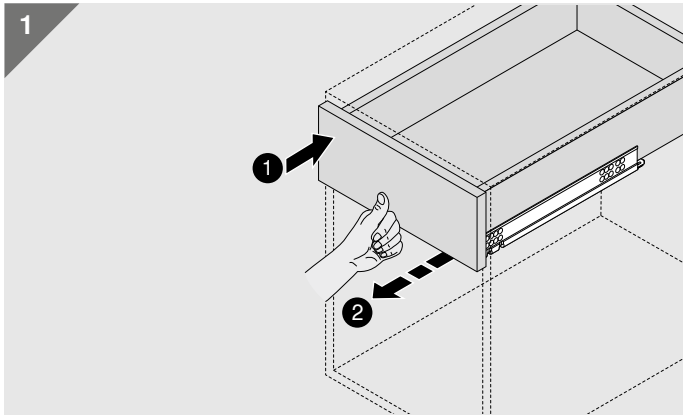


Adjustment



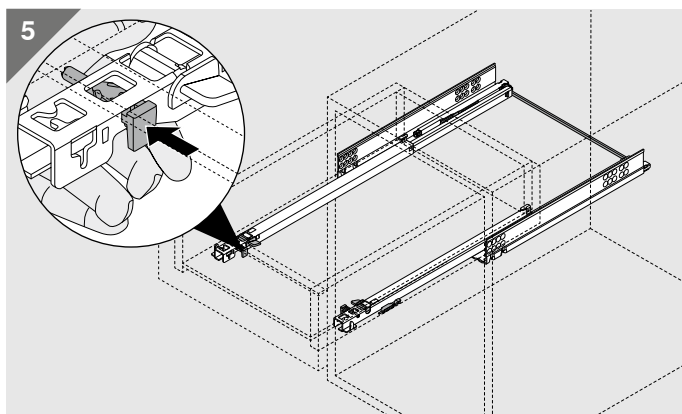
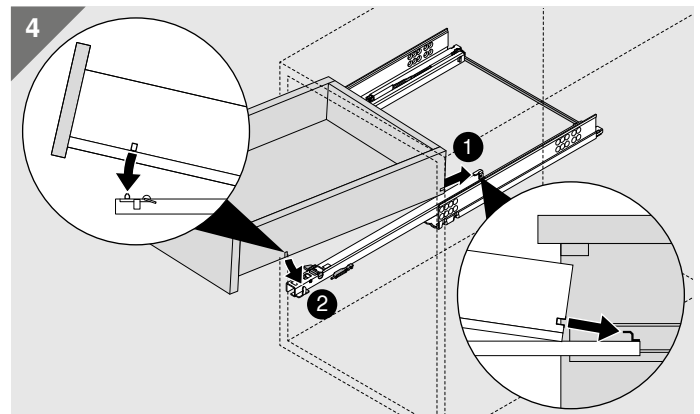
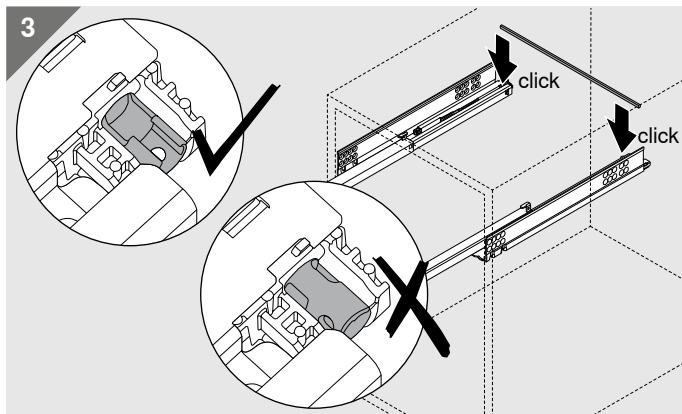
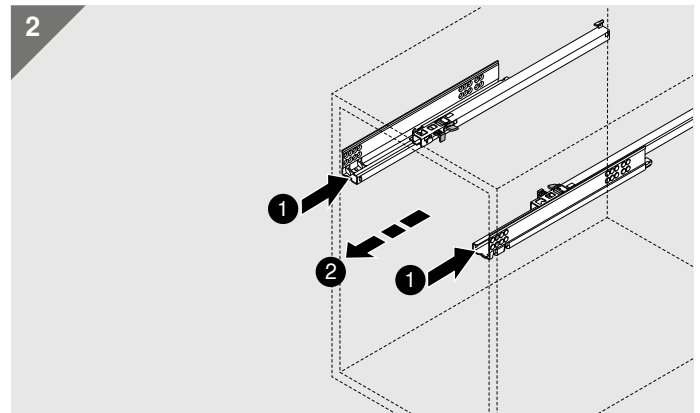
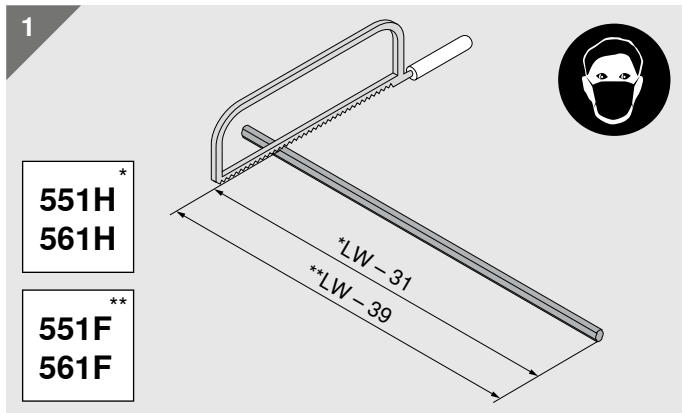
Locking device feature

Removal



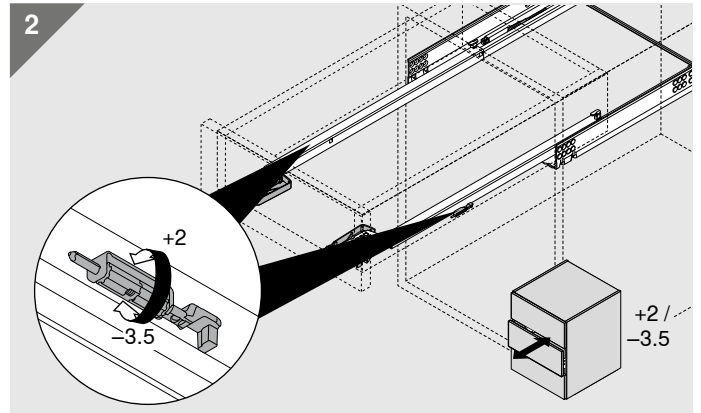
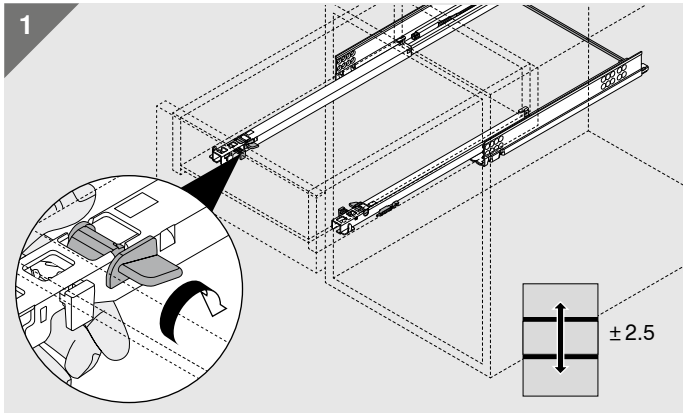
Hook and peg feature

Assembly

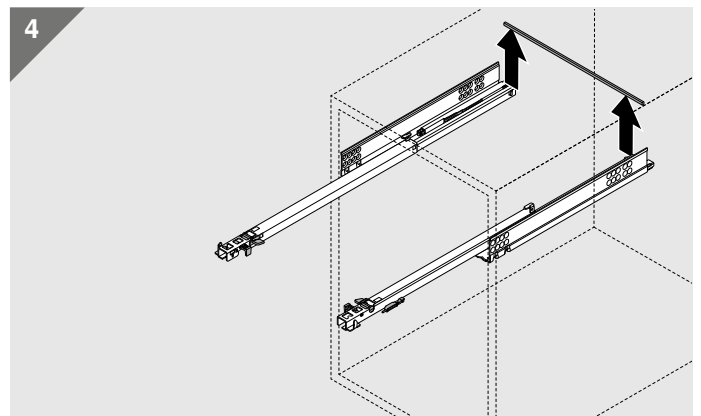
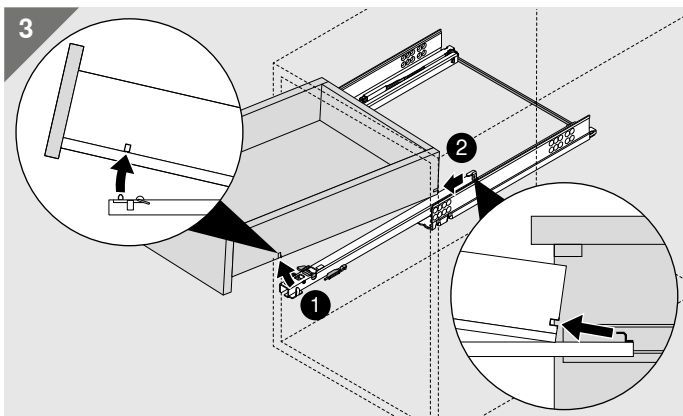
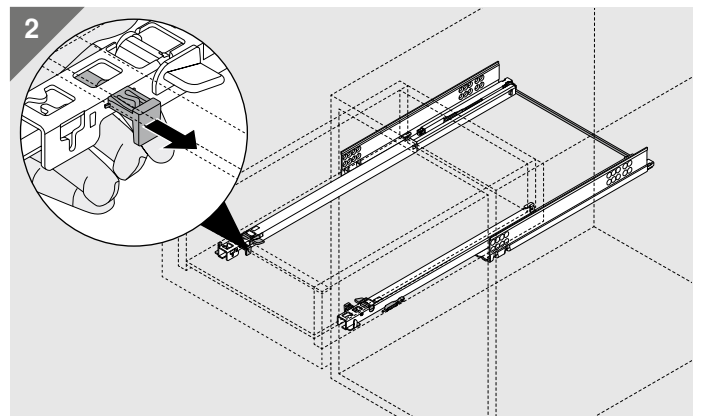
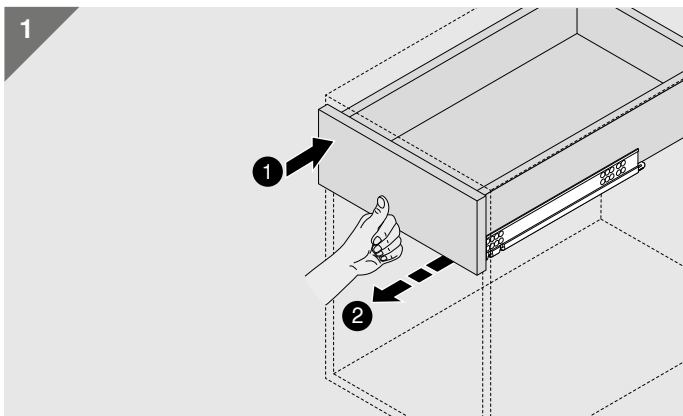


Hook and peg feature

Adjustment



Removal



Julius Blum GmbH
Furniture Fittings Mfg.
6973 Höchst, Austria
Tel.: +43 5578 705-0
Fax: +43 5578 705-44
E-mail: info@blum.com
www.blum.com

Our sites in Austria, Poland and China are certified to the international standards mentioned below.
Our site in the USA is certified to ISO 9001.
Our site in Brazil is certified to ISO 9001, ISO 14001 and ISO 45001.



ISO 9001
Certified Quality
System



ISO 14001
Certified Environmental
System



ISO 50001
Certified Energy
System

 **blum**®



Look for our
FSC™-certified
products

All content is copyrighted by Blum.
Subject to technical modifications and changes to the range without notice.
TD-127/3 EN-AL/07.23