

TANDEM 19 mm 7/8 extension

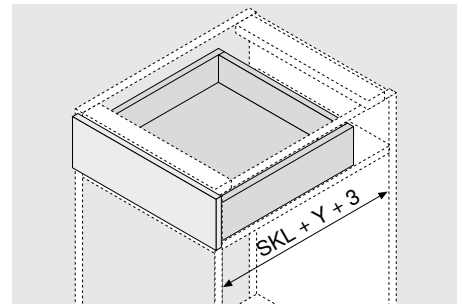
Technical data sheet



540F locking device feature – BLUMOTION



- Concealed TANDEM 19 mm 7/8 extension for wooden drawers with a panel thickness of 17 to 19 mm
- For more ergonomic access
- Includes integrated BLUMOTION motion technology for soft and effortless closing
- Low-friction cylindrical rollers ensure a feather-light glide
- With soft end stop when opening
- Tool-free height adjustment via locking device (with T51.1700.04)
- Built-in width and depth tolerance compensation



Drawer depth (SKL) mm	Y mm
300	25
350	25
400	35
450	35
500	30

Ordering information

1	Runners left/right		
	Drawer depth SKL mm	Nominal length NL mm	Load bearing capacity 25 kg
	300	325	540F3000B
	350	375	540F3500B
	400	435	540F4000B
	450	485	540F4500B
	500	530	540F5000B
Integrated BLUMOTION			

2	Locking device left/right	
	Nylon/zinc orange	T51.1700.04
	With height adjustment	
	Order left and right	

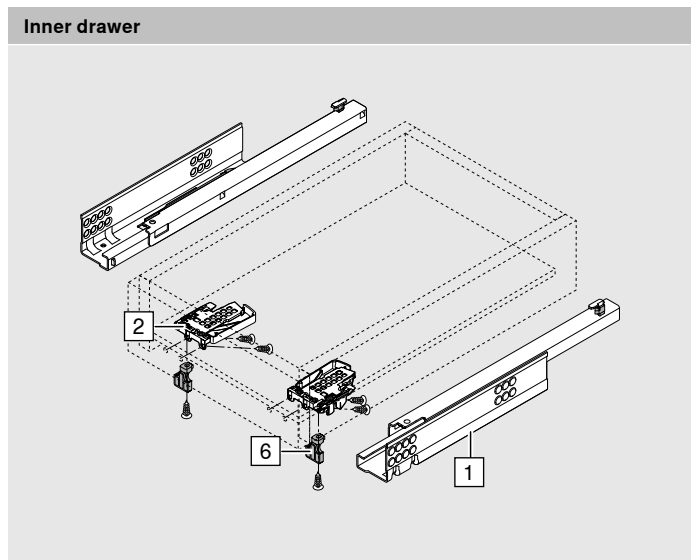
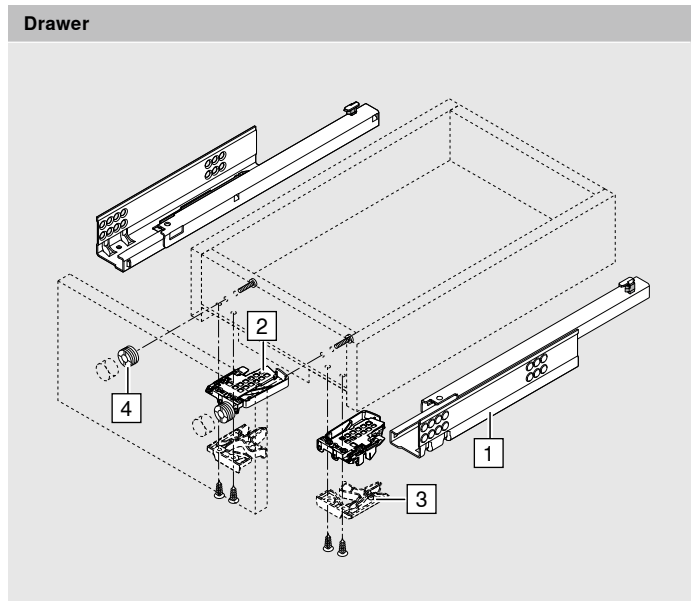
Alternative to 2

3	Single part locking device left/right	
	Nylon R7035 light grey	T51.1400
	Order left and right	
	Cannot be combined with POSISTOP	

Accessories

4	Front adjustment bracket	
	Nylon natural	295.1000

6	POSISTOP	
	Material: nylon	298.5500
	Colour: RAL 7037 dust grey	
	Depth stop	
	Can only be combined with locking device T51.1700.04	
Only for inset applications		

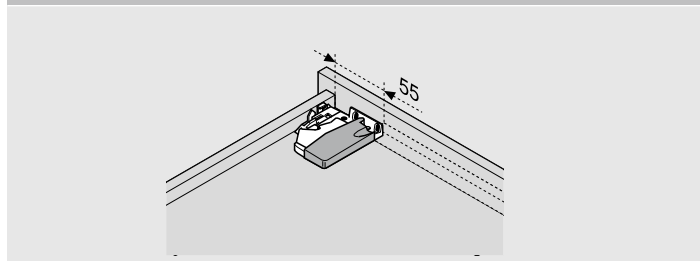


540F locking device feature – BLUMOTION

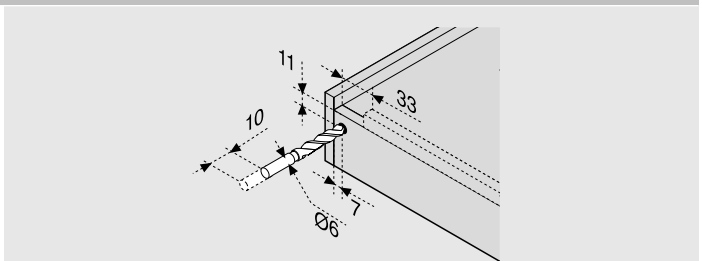
Planning

Space requirements in the cabinet		Drawer/inner drawer		Drawer		Inner drawer	
A	3 mm distance to interchange with full extension	SKW	Internal drawer width	SKL	Drawer depth	ISKL	Inner drawer length
		LW	Internal cabinet width	NL	Nominal length	NL	Nominal length
				Y	Drawer back	X	Front thickness
						Y	Drawer back
						*	Additional +2 mm with POSISTOP

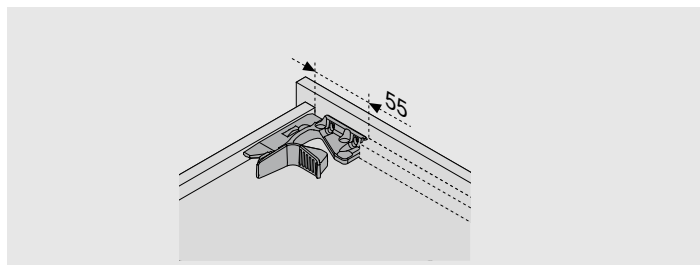
Drawer assembly



Use drilling template T65.1000.02



Use drilling template T65.1000.02

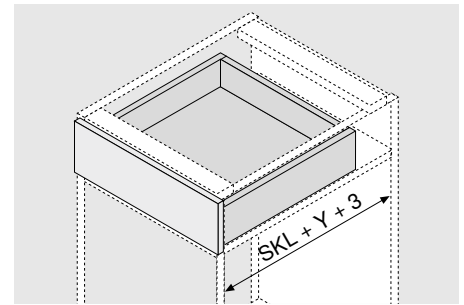


Use drilling template T.65.1000.02

540F locking device feature – integrated TIP-ON



- Concealed TANDEM 19 mm 7/8 extension for wooden drawers with a panel thickness of 17 to 19 mm
- For more ergonomic access
- Includes integrated TIP-ON motion technology – the mechanical opening system
- Low-friction cylindrical rollers ensure a feather-light glide
- With soft end stop when opening
- Tool-free height adjustment via locking device (with T51.1700.04)
- Built-in width and depth tolerance compensation



Drawer depth (SKL) mm	Y mm
300	25
350	25
400	35
450	35
500	30

Ordering information

1	Runners left/right		
	Drawer depth SKL mm	Nominal length NL mm	Load bearing capacity 25 kg
	300	325	540F3000T
	350	375	540F3500T
	400	435	540F4000T
	450	485	540F4500T
	500	530	540F5000T
Integrated TIP-ON			

2	Locking device left/right	
	Nylon/zinc orange	T51.1700.04
	With height adjustment	
	Order left and right	

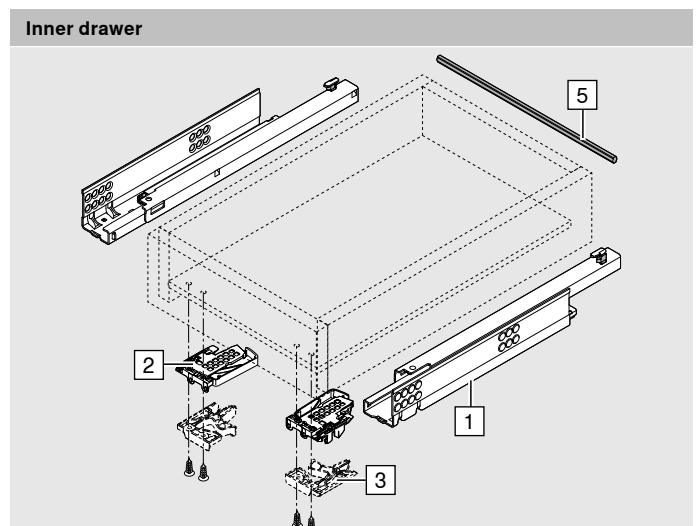
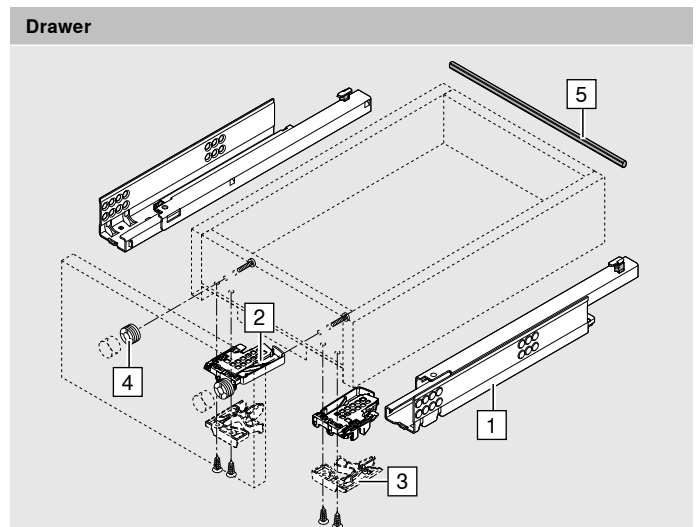
Alternative to 2

3	Single part locking device left/right	
	Nylon R7035 light grey	T51.1400
	Order left and right	

5	TIP-ON synchronisation linkage		
	Cabinet width KB (mm)	Version	
	Up to 1200	Profile linkage	T57.1140S
	For cutting to size		
	We recommend the use of a synchronisation linkage for every cabinet width Cutting dimensions: Internal cabinet width LW – 39 mm		

Accessories

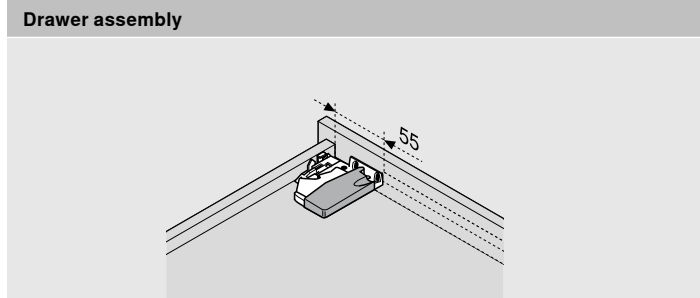
4	Front adjustment bracket	
	Nylon natural	295.1000



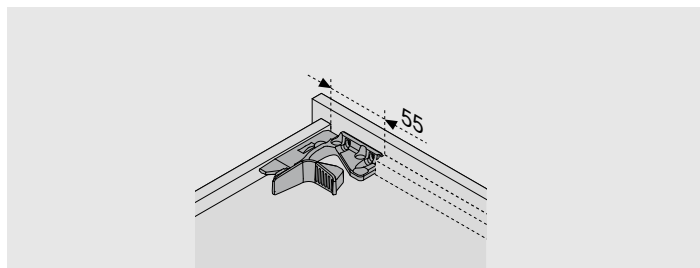
540F locking device feature – integrated TIP-ON

Planning

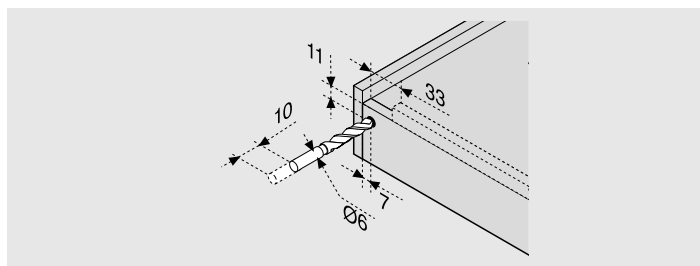
Space requirements in the cabinet		Drawer/inner drawer		Drawer		Inner drawer	
A	3 mm distance to interchange with full extension	SKW	Internal drawer width	SKL	Drawer depth	ISKL	Inner drawer length
		LW	Internal cabinet width	NL	Nominal length	NL	Nominal length
				Y	Drawer back	X	Front thickness
						Y	Drawer back



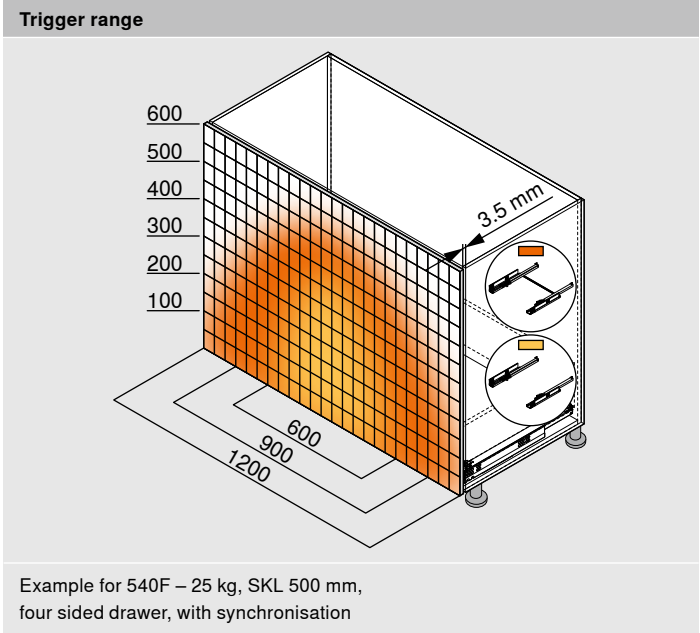
Use drilling template T.65.1000.02



Use drilling template T.65.1000.02



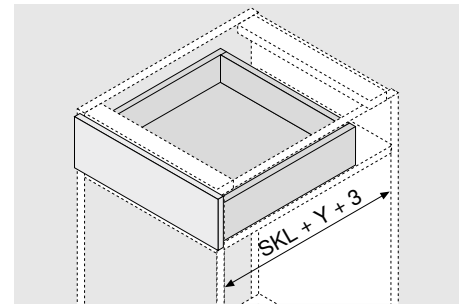
Use drilling template T.65.1000.02



541F hook and peg feature – BLUMOTION



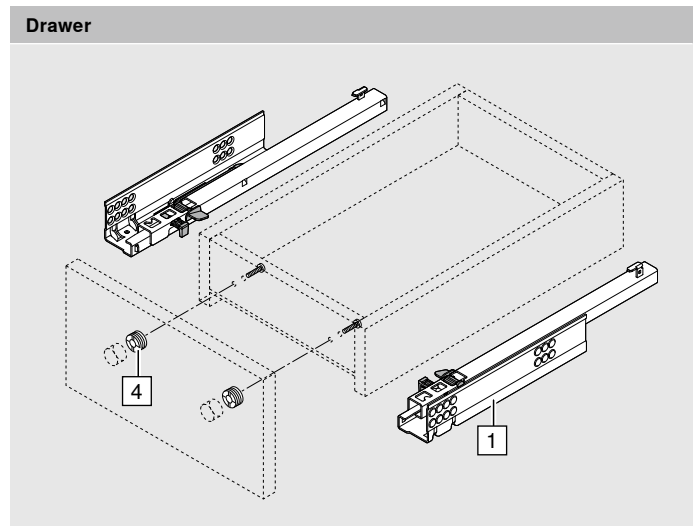
- Concealed TANDEM 19 mm 7/8 extension for wooden drawers with a panel thickness of 17 to 19 mm
- For more ergonomic access
- Includes integrated BLUMOTION motion technology for soft and effortless closing
- Low-friction cylindrical rollers ensure a feather-light glide
- With soft end stop when opening
- Lift-off stop and height adjustment integrated into the runner system



Drawer depth (SKL) mm	Y mm
300	25
350	25
400	35
450	35
500	30

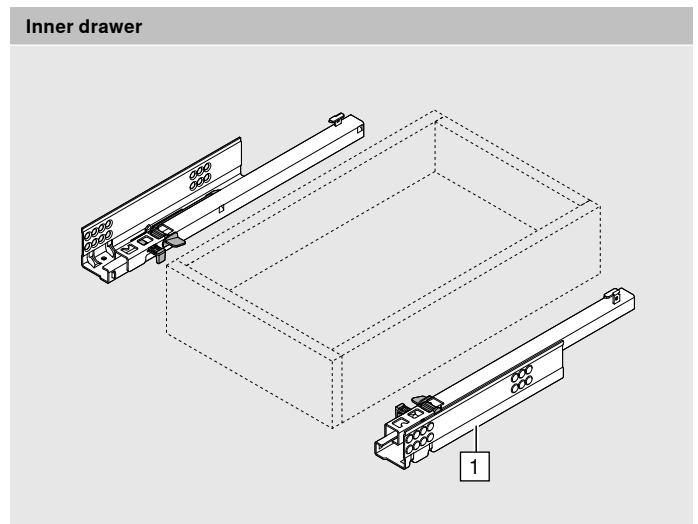
Ordering information

1	Runners left/right		
	Drawer depth SKL mm	Nominal length NL mm	Load bearing capacity 25 kg
	300	325	541F3001B
	350	375	541F3501B
	400	435	541F4001B
	450	485	541F4501B
	500	530	541F5001B
Integrated BLUMOTION			



Accessories

4	Front adjustment bracket	
	Nylon natural	295.1000



541F hook and peg feature – BLUMOTION

Planning

Space requirements in the cabinet		Drawer/inner drawer		Drawer		Inner drawer	
A	3 mm distance to interchange with full extension	SKW	Internal drawer width	SKL	Drawer depth	ISKL	Inner drawer length
		LW	Internal cabinet width	NL	Nominal length	NL	Nominal length
				Y	Drawer back	X	Front thickness
						Y	Drawer back

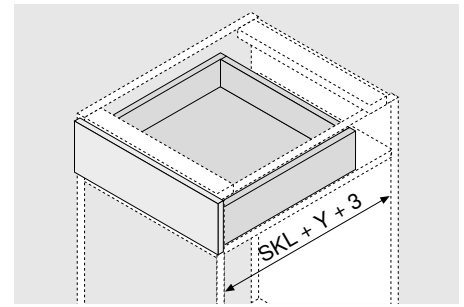
Drawer assembly	Drawer assembly
Use drilling template T65.1100	Use drilling template T65.1000.02

Drawer assembly	Drawer depth SKL (mm)	Hook X2 (mm)	Lift-off stop X1 (mm)
	300	230	250
	350	275	255
	400	300	280
	450	335	315
	500	360	380

541F hook and peg feature – integrated TIP-ON



- Concealed TANDEM 19 mm 7/8 extension for wooden drawers with a panel thickness of 17 to 19 mm
- For more ergonomic access
- Includes integrated TIP-ON motion technology – the mechanical opening system
- Low-friction cylindrical rollers ensure a feather-light glide
- With soft end stop when opening
- Lift-off stop and height adjustment integrated into the runner system



Drawer depth (SKL) mm	Y mm
300	25
350	25
400	35
450	35
500	30

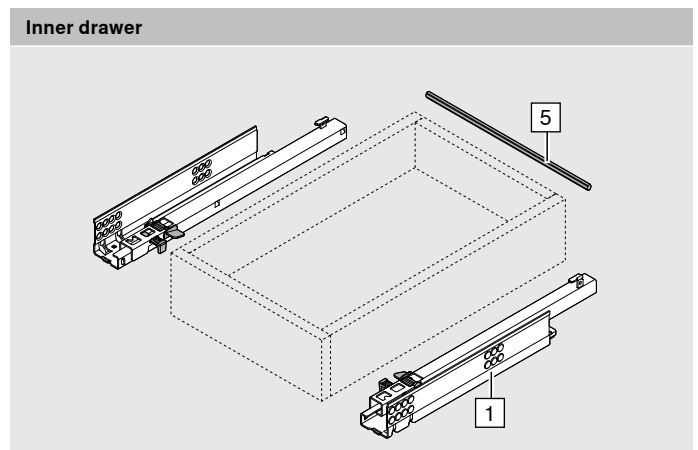
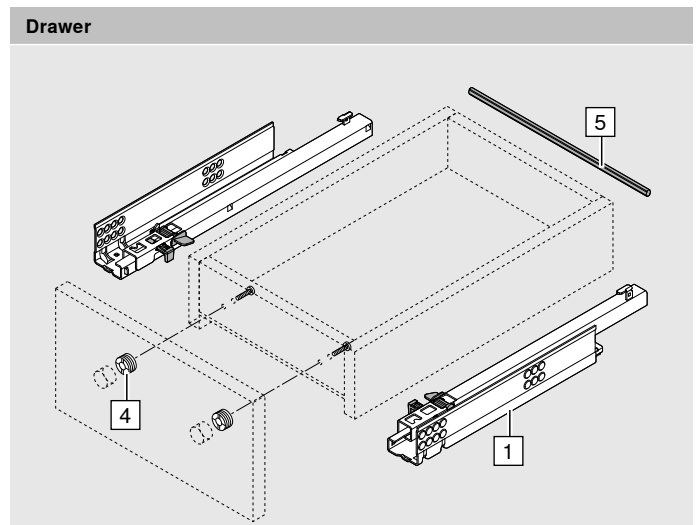
Ordering information

1	Runners left/right		
	Drawer depth SKL mm	Nominal length NL mm	Load bearing capacity 25 kg
	300	325	541F3001T
	350	375	541F3501T
	400	435	541F4001T
	450	485	541F4501T
	500	530	541F5001T
Integrated TIP-ON			

5	TIP-ON synchronisation linkage		
	Cabinet width KB (mm)	Version	
	Up to 1200	Profile linkage	T57.1140S
For cutting to size We recommend the use of a synchronisation linkage for every cabinet width Cutting dimensions: Internal cabinet width LW – 39 mm			

Accessories

4	Front adjustment bracket	
	Nylon natural	295.1000

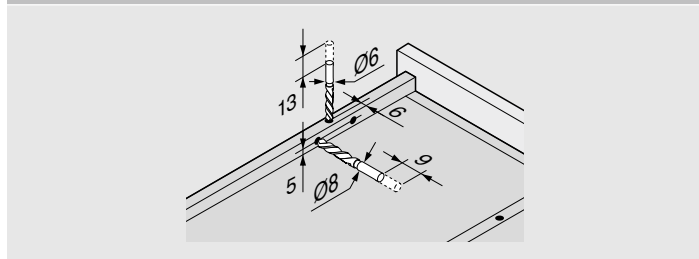


541F hook and peg feature – integrated TIP-ON

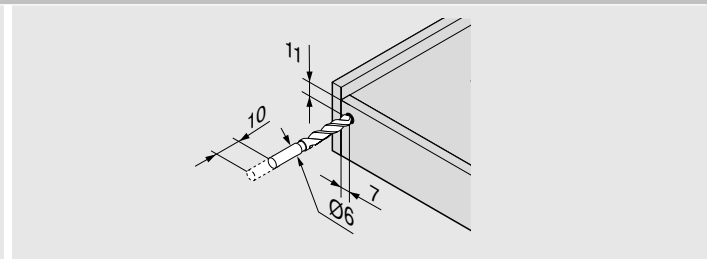
Planning

Space requirements in the cabinet		Drawer/inner drawer		Drawer		Inner drawer	
A	3 mm distance to interchange with full extension	SKW	Internal drawer width	SKL	Drawer depth	ISKL	Inner drawer length
		LW	Internal cabinet width	NL	Nominal length	NL	Nominal length
				Y	Drawer back	X	Front thickness
						Y	Drawer back

Drawer assembly

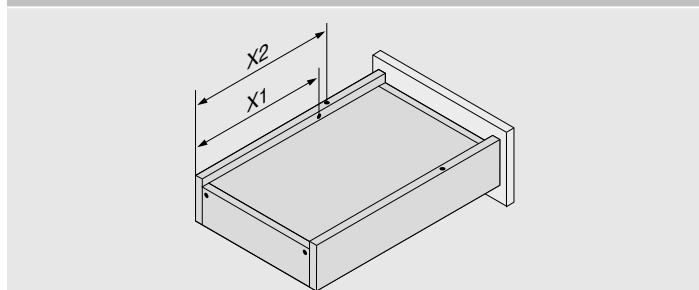


Use drilling template T65.1100



Use drilling template T65.1000.02

Drawer assembly



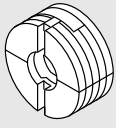
Drawer depth SKL (mm)	Hook X2 (mm)	Lift-off stop X1 (mm)
300	230	250
350	275	255
400	300	280
450	335	315
500	360	380

Trigger range

Example for 541F – 25 kg, SKL 500 mm, four sided drawer, with synchronisation

Accessories

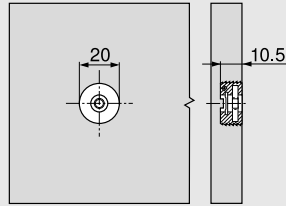
Front adjustment bracket



With pre-mounted steel washer
 For four sided drawers
 2-dimensional front adjustment
 (± 2 mm)
 Material: nylon
 Colour: natural

295.1000

Insertion ram for MINIPRESS



MZM.0095

POSISTOP



Material: nylon
 Colour: RAL 7037 dust grey
 Depth stop
 Can only be combined with
 locking device T51.1700.04
 Only for inset applications

298.5500

Back fixing bracket for pull-out shelf

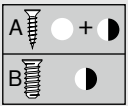


Colour: natural
 Material: nylon

T51.7000.01

Fixing of runners 540F/541F

Runner 540F – 25 kg

NL	19*	37	147	165	261	284	
300–450	●	●	●	●	●	●	
500	●	●			●	●	

NL Nominal length

SKL Drawer depth

A Chipboard screw Ø 4 x 15 mm

* System screws, part number 661.1450.HG
Can be replaced with chipboard screw Ø 4 x 15 mm

Runner 541F – 25 kg

NL	19*	37	147	165	261	284	
300–450	●	●	●	●	●	●	
500	●	●			●	●	

NL Nominal length

SKL Drawer depth

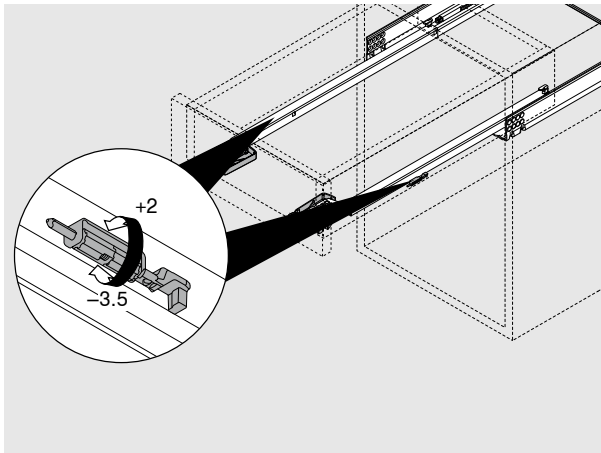
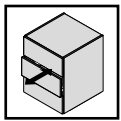
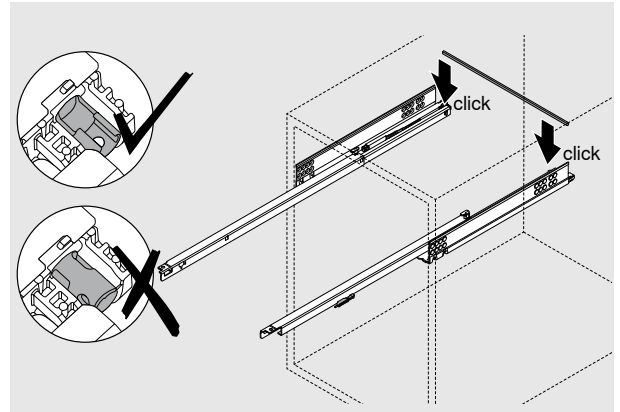
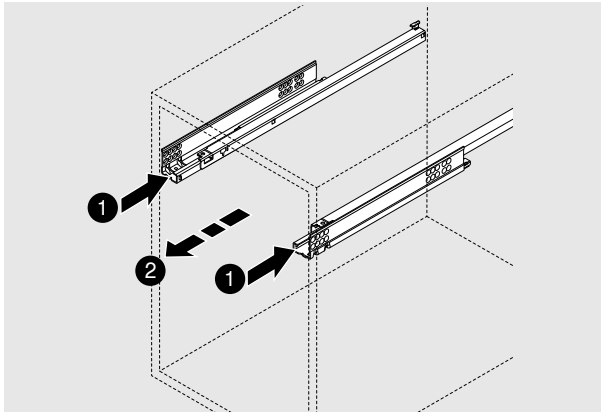
A Chipboard screw Ø 4 x 15 mm

* System screws, part number 661.1450.HG
Can be replaced with chipboard screw Ø 4 x 15 mm

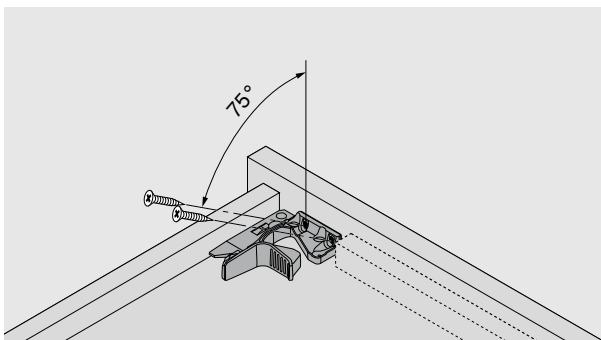
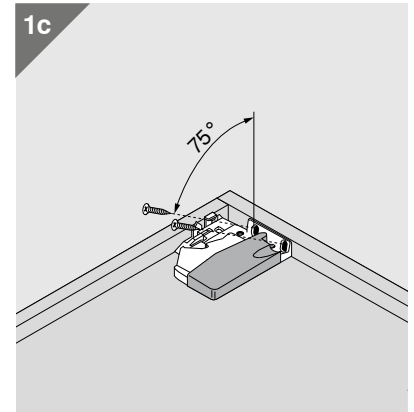
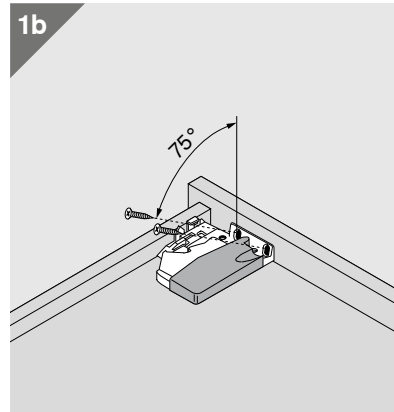
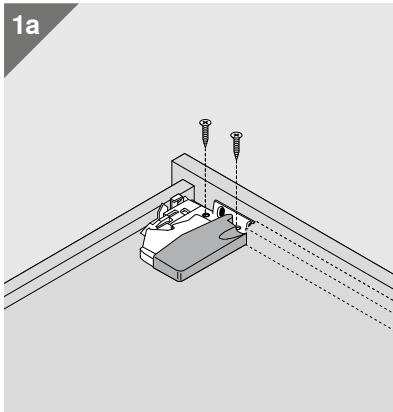
Assembly

540F
541F

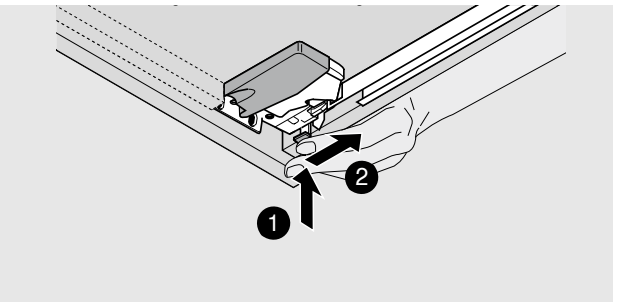
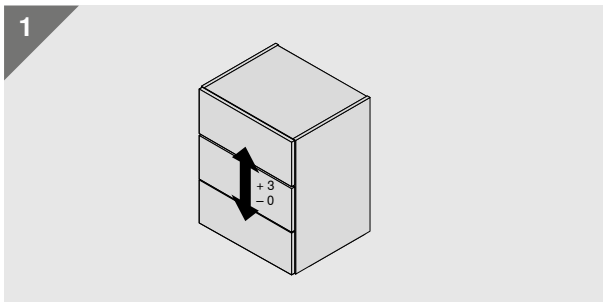
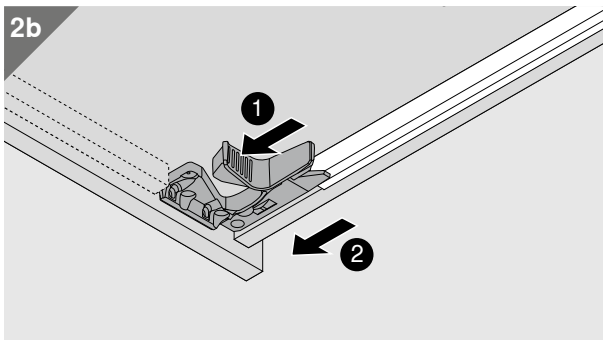
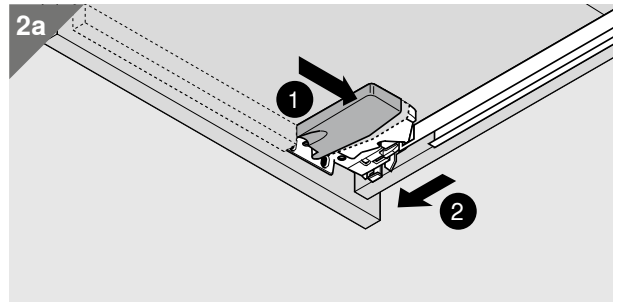
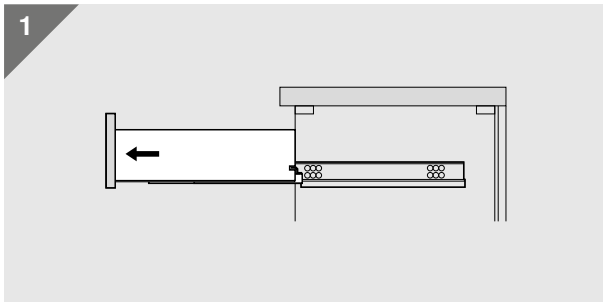
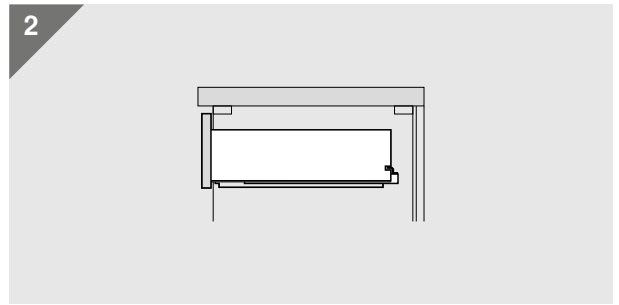
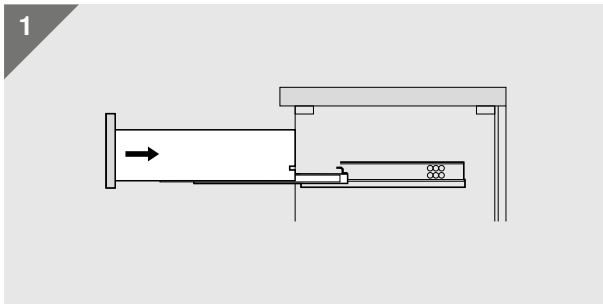
TIP-ON
by Blum



540F

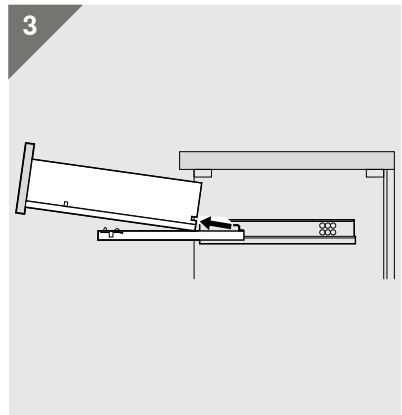
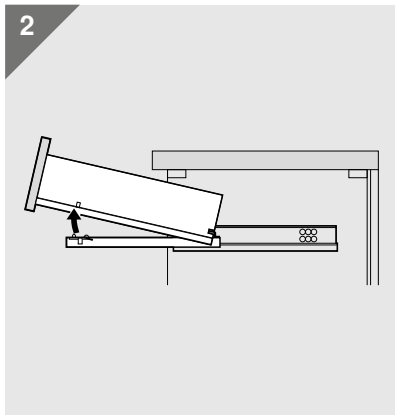
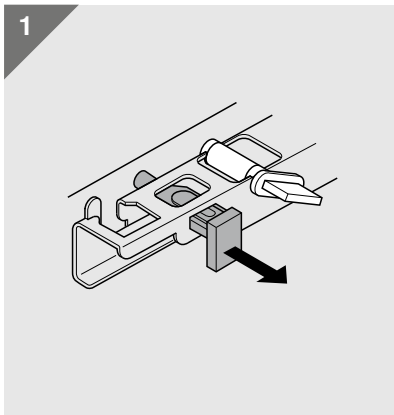
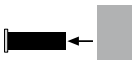
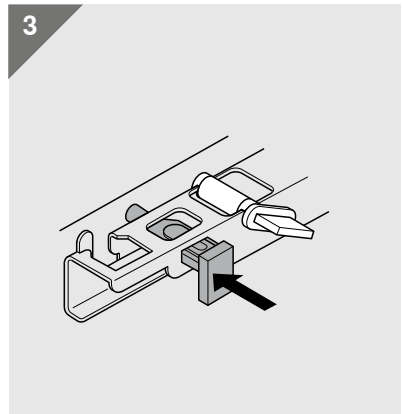
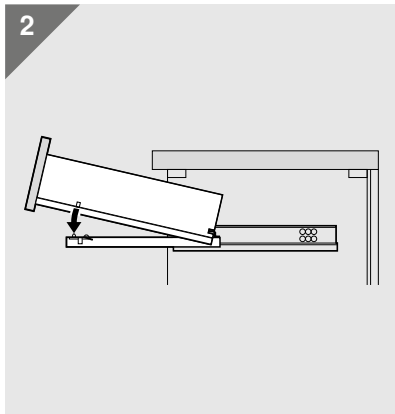
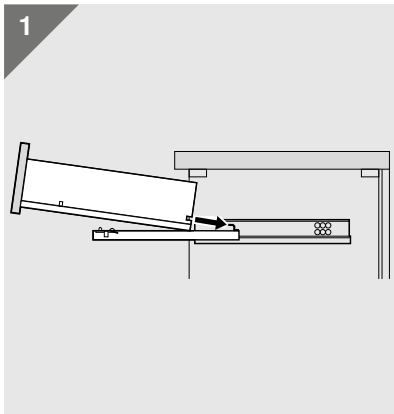


Assembly

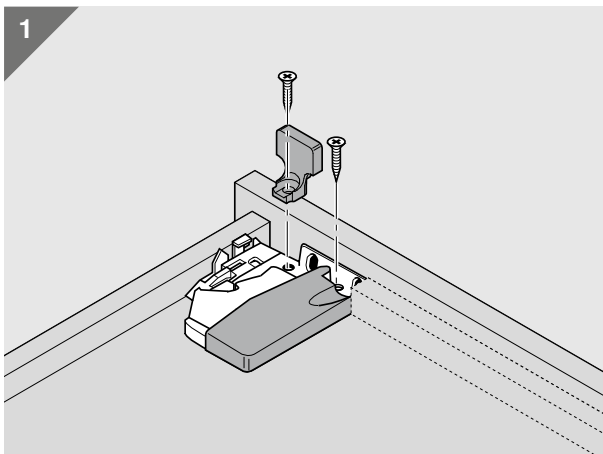
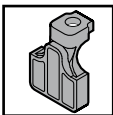
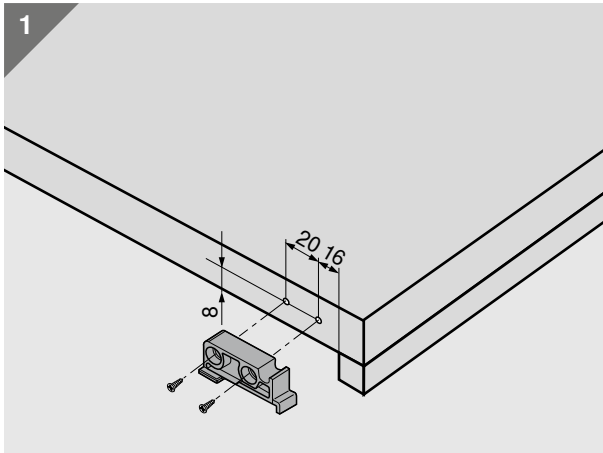
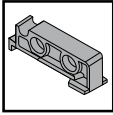
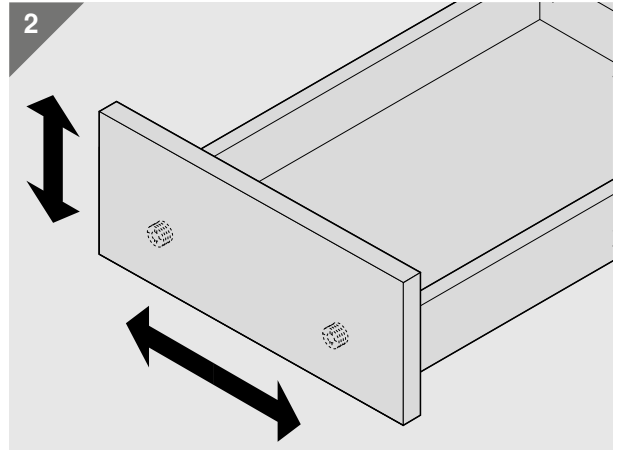
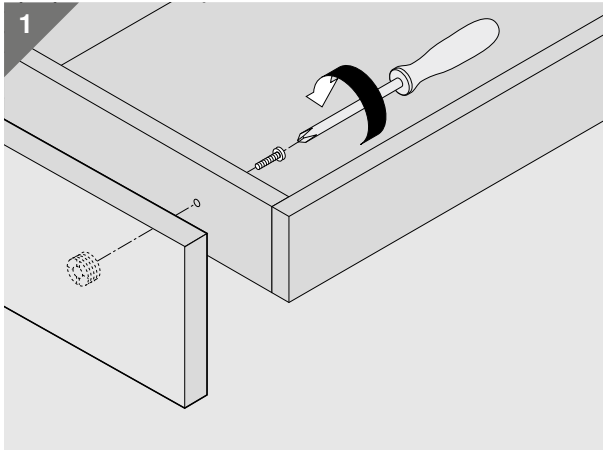
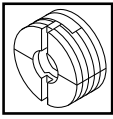


Assembly

541F



Assembly



Julius Blum GmbH
Furniture Fittings Mfg.
6973 Höchst, Austria
Tel.: +43 5578 705-0
Fax: +43 5578 705-44
E-mail: info@blum.com
www.blum.com

Our sites in Austria, Poland and China are certified to the international standards mentioned below.
Our site in the USA is certified to ISO 9001.
Our site in Brazil is certified to ISO 9001, ISO 14001 and ISO 45001.



ISO 9001
Certified Quality
System



ISO 14001
Certified Environmental
System



ISO 50001
Certified Energy
System

 **blum**®



Look for our
FSC™-certified
products

All content is copyrighted by Blum.
Subject to technical modifications and changes to the range without notice.
TD-128/2 EN-AL/12.23