

BLUMOTION S

One solution – three technologies

www.blum.com

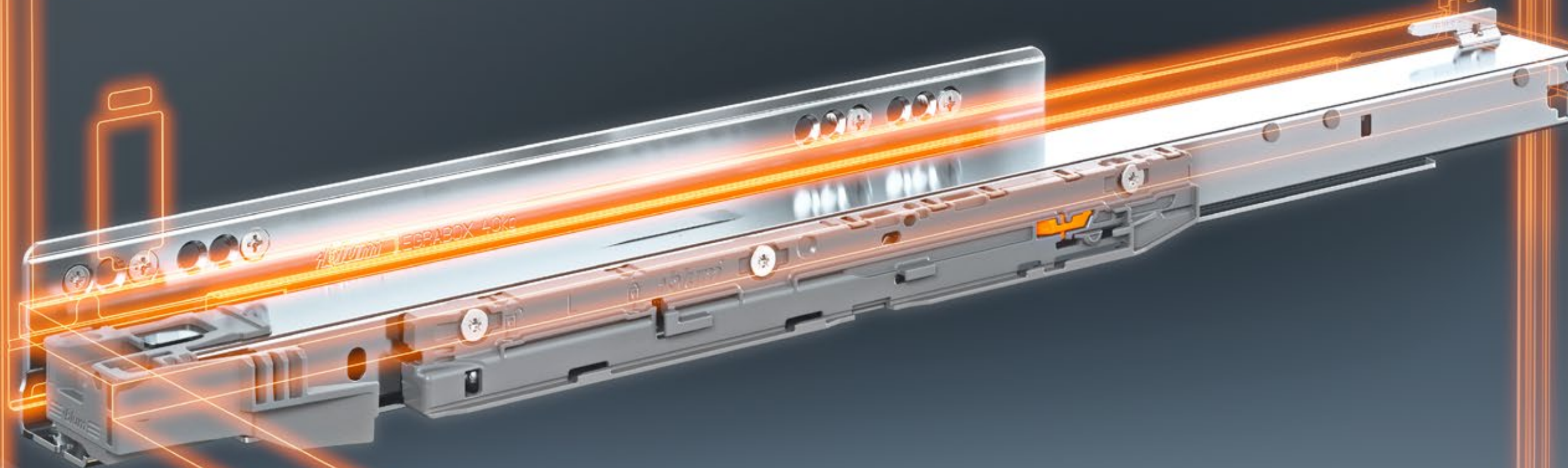
 **blum**[®]

The world is complicated enough

Requirements for individuality and a wide range of design possibilities are becoming more exacting. Therefore, it is even more important that these requirements are met in a simple way. That is why we strive for technically sophisticated product innovations, to make things easier for you.

BLUMOTION S





Simply better: BLUMOTION S

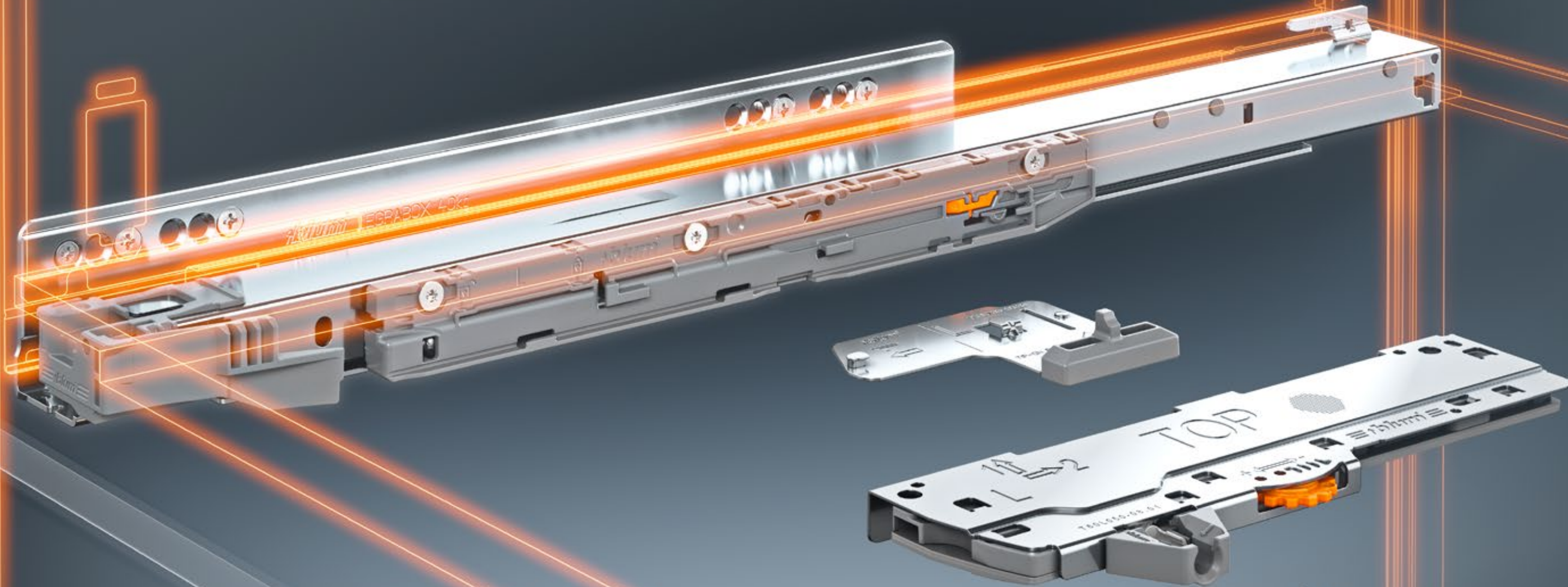
The flexibility to implement multiple motion technologies with only one runner, and one optimal dampening function that has been adjusted to the respective technology – this is what our new BLUMOTION S for LEGRABOX and MOVENTO offers.

Optimised BLUMOTION

Have you ever slammed a pull-out shut? It's great to have the BLUMOTION S runner installed in this case, isn't it?
The optimised dampening path increases the dampening performance – and pull-outs can be closed even more silently.

TIP-ON BLUMOTION

You want drawers and pull-outs that not only close silently but can also be opened with just a light touch? TIP-ON BLUMOTION is ideally suited for this. The BLUMOTION S runner is retained, and the opening support system is added. Thanks to the unique intelligent product design the dampening path adjusts automatically. The assembly is tool-free.



Simply better: BLUMOTION S

The flexibility to implement multiple motion technologies with only one runner, and one optimal dampening function that has been adjusted to the respective technology – this is what our new BLUMOTION S for LEGRABOX and MOVENTO offers.



SERVO-DRIVE

You want the highest possible usability during opening and closing? Then SERVO-DRIVE is the solution for you. The BLUMOTION S runner is supplemented here with the respective SERVO-DRIVE components.

Simply flexible: BLUMOTION S

The BLUMOTION S runner improves on the crucial parts, while retaining the familiar straightforward assembly. The markings on the BLUMOTION S housing help with the tool-free and time-saving assembly of TIP-ON BLUMOTION components.



Same components

Both TIP-ON BLUMOTION and SERVO-DRIVE use the existing motion technology components. Accessories like the side stabiliser for wide drawers and pull-outs remain the same as well.



Drilling and fixing positions remain unchanged

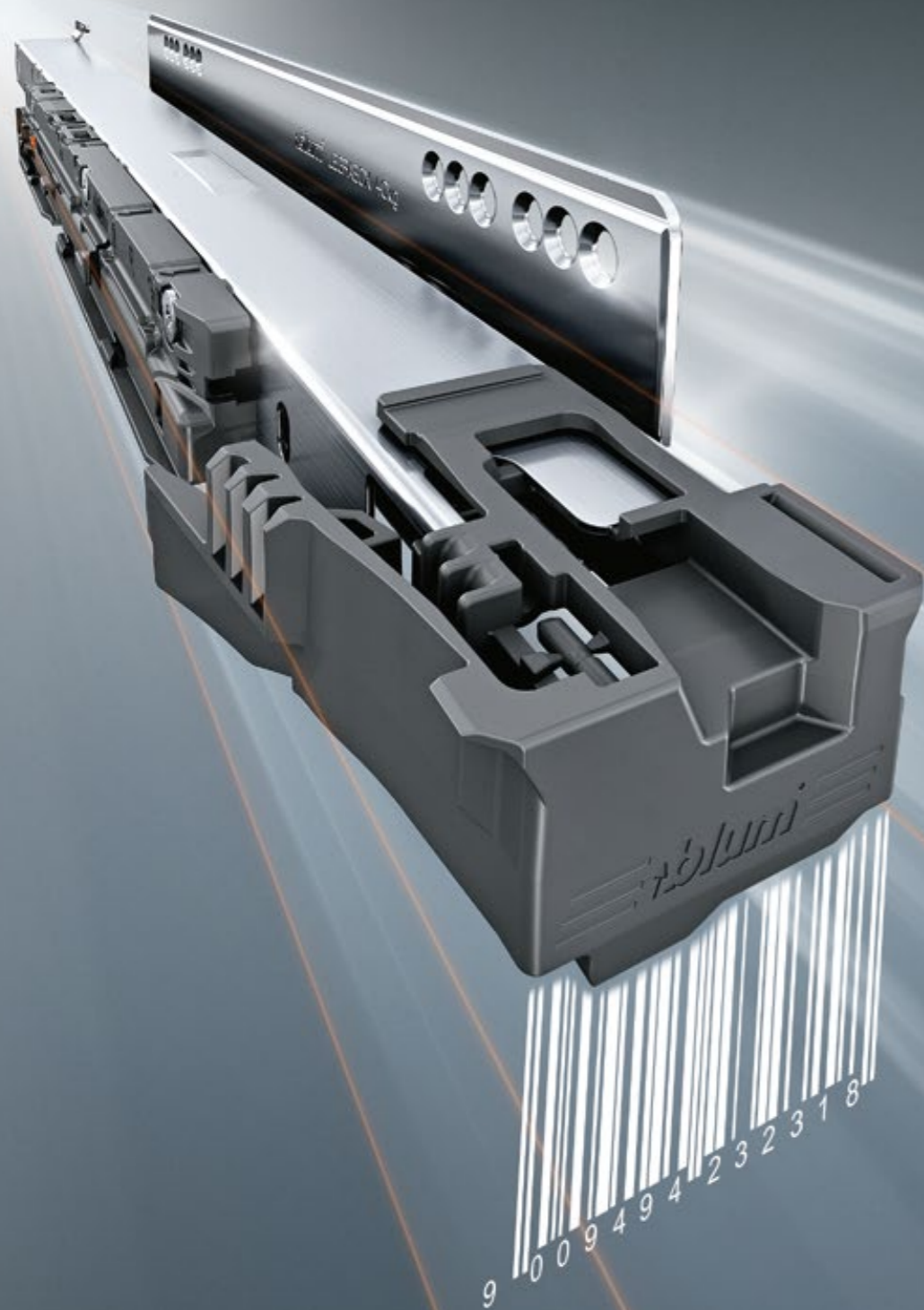
The drilling and fixing positions remain the same for each of the three motion technologies. This way, BLUMOTION S can offer higher flexibility while keeping the same fittings.



Familiar adjustment options

The integrated adjustment of height, side, tilt and depth produces an attractive gap layout for LEGRABOX and MOVENTO.





Optimise your inventory

Our new runner now provides you with even more. Fill your warehouse with possibilities not products!

Ordering information



BLUMOTION **S** switchable
7x0.xxxxS

- The runner can be used for three motion technologies: SERVO-DRIVE, BLUMOTION and TIP-ON BLUMOTION
- Integrated, switchable BLUMOTION S for a silent and effortless closing action
- The dampening path will be automatically adapted to the respective motion technology

LEGRABOX

| Cabinet profile left/right | | | |
|----------------------------|---------|-----------|-----------|
| | NL (mm) | 40 kg | 70 kg |
| | 270 | 750.2701S | |
| | 300 | 750.3001S | |
| | 350 | 750.3501S | |
| | 400 | 750.4001S | |
| | 450 | 750.4501S | 753.4501S |
| | 500 | 750.5001S | 753.5001S |
| | 550 | 750.5501S | 753.5501S |
| | 600 | 750.6001S | 753.6001S |
| | 650 | | 753.6501S |

NL Nominal length

MOVENTO

| Runners left/right | | | | |
|--------------------|---------|-----------|-------|-----------|
| | NL (mm) | 40 kg | 60 kg | 70 kg |
| | 250 * | 760H2500S | | |
| | 270 | 760H2700S | | |
| | 300 | 760H3000S | | |
| | 320 | 760H3200S | | |
| | 350 | 760H3500S | | |
| | 380 | 760H3800S | | |
| | 400 | 760H4000S | | |
| | 420 | 760H4200S | | |
| | 450 | 760H4500S | | 766H4500S |
| | 480 | 760H4800S | | |
| | 500 | 760H5000S | | 766H5000S |
| | 520 | 760H5200S | | 766H5200S |
| | 550 | 760H5500S | | 766H5500S |
| | 580 | | | 766H5800S |
| | 600 | 760H6000S | | 766H6000S |
| | 650 | | | 766H6500S |
| 700 | | 766H7000S | | |
| 750 | | 766H7500S | | |

* Not compatible with TIP-ON BLUMOTION

NL Nominal length

Runners for base fixing left/right

| | NL (mm) | 40 kg |
|--|---------|------------|
| | 350 | 760H3500SU |
| | 400 | 760H4000SU |
| | 450 | 760H4500SU |
| | 500 | 760H5000SU |

NL Nominal length



moving ideas

We believe that ideas can move the world. We offer innovative fittings, inspiring furniture concepts and appropriate services so that you can turn your creative ideas into reality. We are driven by your needs, international trends and our shared vision of a better quality of living. Let us work together to create moving ideas.



Quality of living

We would like you to enjoy greater convenience and functionality when using furniture.



Product range

Everything from a single source: our wide range of products allows you to keep up with today's and tomorrow's trends.



Inspiration

We monitor global trends and strive to create the solutions of tomorrow. We like to share our insights with you.



Innovation

We stay in motion. Curiosity and pioneering spirit drive us to develop new products and services for you.



Services

We support your daily operations with customised services tailored to your processes.



Quality

We continuously strive to improve our products, services and ourselves.



Trust

We take responsibility for partnerships, our employees, society and the environment.

Julius Blum started our journey in 1952 with horseshoe studs. Today we supply innovative fittings to customers in over 120 countries.

Julius Blum GmbH
Furniture Fittings Mfg.
6973 Höchst, Austria
Tel.: +43 5578 705-0
Fax: +43 5578 705-44
E-mail: info@blum.com
www.blum.com

Our sites in Austria, Poland and China are certified to the international standards mentioned below.
Our site in the USA is certified to ISO 9001.
Our site in Brazil is certified to ISO 9001, ISO 14001 and ISO 45001.



ISO 9001
Certified Quality
System



ISO 14001
Certified Environmental
System



ISO 50001
Certified Energy
System

 **blum**[®]



Look for our
FSC™-certified
products

All content is copyrighted by Blum.
Subject to technical modifications and changes to the range without notice.
IDNR: 000.000.0 · EP-397/2 EN-AL/12.23