

# AVENTOS HK-XS

only for inset applications

www.blum.com



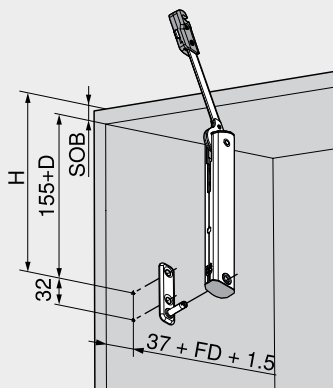
## Memo

The small stay lift AVENTOS HK-XS can also be used as an inset application. This provides interesting design options for high-quality furniture manufacturing. In addition to a change in installation dimensions only the application of double cranked hinges must be taken into account. To ensure optimal motion, we recommend CLIP top BLUMOTION hinges.



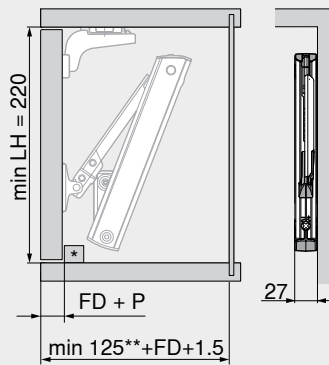
### Planning

#### Drilling position



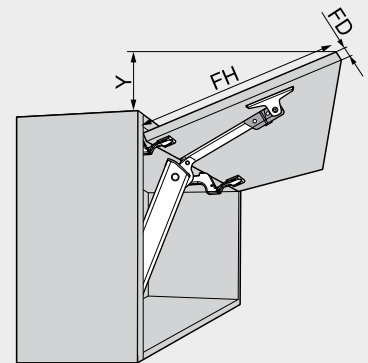
$$H = 155 + D + SOB$$

#### Space requirement



\* front overlay required  
 \*\* min. 200 mm with visible wall hanging bracket

#### Space requirement



$$Y = (FH - a) \times 0.3 - 18$$

FD (mm)	16	19	22	24
a (mm)	45	34	23	15

<b>D</b>	Mounting plate spacing	<b>P</b>	Bumper	<b>FD</b>	Front thickness
<b>SOB</b>	Top panel thickness	<b>LH</b>	Internal cabinet height	<b>FH</b>	Front height

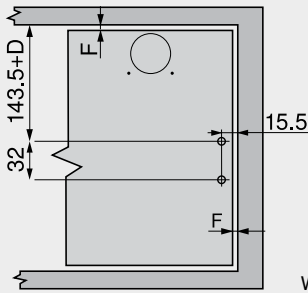
# AVENTOS HK-XS



only for inset applications

## Planning

### Front assembly



Wooden fronts and wide aluminium frames<sup>1)</sup>

Ø 3.5 x 15 mm

#### Number of hinges

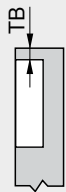
Three hinges starting at cabinet width 900 mm and/or power factor 1800  
Four hinges starting at cabinet width 1200 mm and/or power factor 2700

<sup>1)</sup> Use two chipboard screws (609.1x00) for wooden fronts.  
Use two countersunk self-tapping screws (660.0950) for wide aluminium frames.

**D** Mounting plate spacing

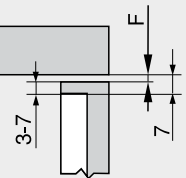
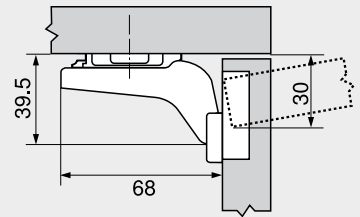
**F** Gap

### Minimum gap (F) for fronts with a front radius (R = 1 mm) based on the factory setting for CLIP top BLUMOTION 110°/CLIP top 110°



Drilling distance TB		Front thickness FD											A trial application is recommended
		16	18	19	20	21	22	23	24	25	26	28	
3	0.5	0.8	1.0	1.2	1.5	1.8	2.2	2.7	3.5	4.3			
4	0.5	0.8	1.0	1.2	1.4	1.7	2.0	2.5	3.1	3.8			
5	0.5	0.8	0.9	1.2	1.4	1.7	2.0	2.4	2.9	3.4			
6	0.5	0.8	0.9	1.2	1.3	1.6	1.9	2.3	2.7	3.2			
7	0.5	0.8	0.9	1.1	1.3	1.6	1.9	2.2	2.6	3.0			
Additional for + 2 mm side adjustment		+0.2	+0.4	+0.4	+0.5	+0.5	+0.5	+0.5	+0.5	+0.5			

### CLIP top BLUMOTION 110°/CLIP top 110°



### CLIP top BLUMOTION 110°/CLIP top 110°

#### Drilling distance TB

Front overlay						-4	-3	-2	-1	0
	0	3	4	5	6	7				
0										
3										
6										
9										

Mounting plate spacing (mm)



Webcode: DQEEHA



By entering this code into the product configurator you will receive the exact cutting and installation dimensions for the assembly of the inset application of AVENTOS HK-XS.

[www.blum.com/configurator](http://www.blum.com/configurator)



Find out more about AVENTOS HK-XS:  
[www.blum.com/aventoshkxs](http://www.blum.com/aventoshkxs)