

SERVO-DRIVE

EN



Table of Contents

Warning signs and danger symbols	3
Safety	4
SERVO-DRIVE for AVENTOS/SERVO-DRIVE uno for AVENTOS	10
Reference diagram	10
Electrical motion support system.....	10
SERVO-DRIVE flex	14
Orientation diagram	14
Electrical motion support system.....	15
SERVO-DRIVE for LEGRABOX/MERIVOBX/TANDEMBOX/MOVENTO/TANDEM	16
Reference diagram	16
Electrical motion support system.....	16
Simplified EU declaration of conformity	18
Problems	18
Detailed information on the Machine Directive	18
Disposing of electrical and electronic appliances.....	19
Disposing of batteries	19
Technical data.....	24

About these instructions

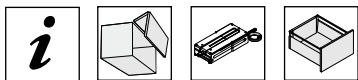
Thank you for your purchase. SERVO-DRIVE, the electrical motion support system by Julius Blum GmbH, is a high-quality product that simplifies everyday kitchen tasks.

To safely enjoy the comfort of SERVO-DRIVE, please note the following:

- Carefully read the instruction leaflet before use.
- Please retain the instruction leaflet for the service life of SERVO-DRIVE.
- Please pass on this instruction leaflet to each subsequent owner or user of SERVO-DRIVE.
- Instructions are also available on our website. Please search on www.blum.com for "SERVO-DRIVE instruction leaflet" and download it as a PDF file.

Validity and target group

This instruction leaflet is intended for all users of SERVO-DRIVE. Assembly, adjustment, initial operation, maintenance and removal may only be carried out by qualified personnel according to the separate installation instructions.



Warning signs and danger symbols

WARNING

WARNING indicates a danger that could lead to death or serious injury if not heeded.

NOTE

NOTE indicates information that should be followed.



To identify an appliance intended only for indoor use.



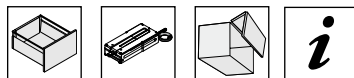
To identify terminals that must not be connected to the mains voltage.

Intended use

SERVO-DRIVE supports the opening and closing of lift systems, the opening of drawers and/or refrigerators and freezers or dishwashers, and may only be used under the following conditions:

- In dry, enclosed rooms.
- In combination with AVENTOS lift systems and/or pull-out systems from Julius Blum GmbH within permitted technical specifications.
- In combination with a SERVO-DRIVE power supply unit.
- The furniture must be firmly secured to the wall so that it cannot topple over.

Technical data specifications can be found in the Blum sales documentation. For more information, please see your distributor. Julius Blum GmbH is not liable for any other use.



Safety

Principle

SERVO-DRIVE complies with current safety standards. Nevertheless, there will still be certain residual risks if the information contained in this instruction leaflet is not observed. Please be aware that Julius Blum GmbH is not responsible for incidental or consequential damages that may arise due to non-compliance with this instruction leaflet.

Safety information

- The mains plug and the SERVO-DRIVE power supply unit must be easily accessible.
- Neither the SERVO-DRIVE power supply unit nor any cabling should come into contact with moving parts.
- This appliance can be used by children aged from 8 years and above and persons with reduced physical, sensory or mental capabilities or lack of experience and knowledge if they have been given supervision or instruction concerning use of the appliance in a safe way and understand the hazards involved. Children must not play with the appliance. Cleaning and user maintenance must not be carried out by children without supervision.
- Reaching into the area around the lift system lever during the opening and closing motion can cause injury.
- The overall length of the cable for SERVO-DRIVE plug-in power supply units Z10NA300 and Z10NA40x* must not exceed two metres.
- SERVO-DRIVE power supply unit Z10NE030 must be connected to an outlet with an earth connection.
- SERVO-DRIVE power supply unit Z10NE030 incorporates an earth connection for functional purposes only.

* x = B, E, H, K, N, R, S, U, Z



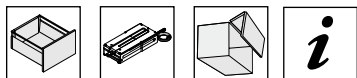
Structural changes and spare parts

Structural changes and spare parts not approved by the manufacturer have an adverse effect on the safety and functionality of SERVO-DRIVE and therefore are not allowed.

- Only use original spare parts from Julius Blum GmbH
- SERVO-DRIVE components are the only devices that should be connected to the SERVO-DRIVE power supply unit.
- Only qualified specialists may install or replace SERVO-DRIVE components, modify the position of the SERVO-DRIVE power supply unit or modify the cabling.
- Please make sure that the Blum distance bumper is attached to the front.

NOTE

To ensure that lift systems, drawers, refrigerators or freezers and dishwashers cannot be activated unintentionally, we recommend connecting the SERVO-DRIVE power supply unit to a switched outlet. For more information, please consult an electronics retailer.



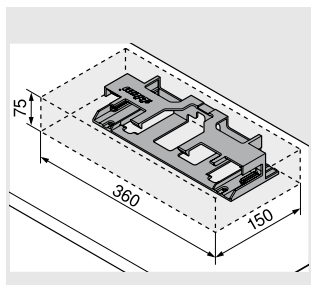
SERVO-DRIVE power supply unit safety distance

NOTE

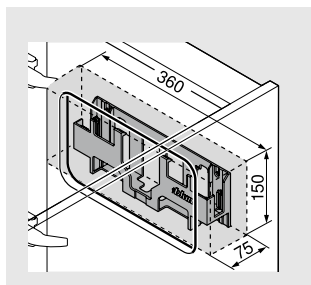
A safety distance of 30 mm must be maintained for air circulation; otherwise, there is a risk that the SERVO-DRIVE power supply unit could overheat.

- The dimensions in the drawing take into account the safety distance.

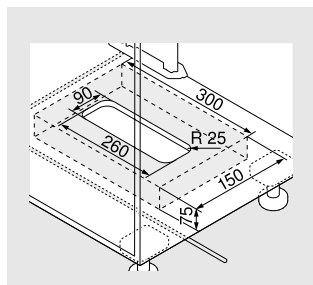
Assembly on the top panel



Panel fixing



Base fixing





Children

⚠ WARNING

Opening and closing lift systems may pose a risk of injury to children.

Persons, especially children, who are sitting or standing on work surfaces may be pushed from work surfaces or injured when opening and closing a lift system.

May pose a choking hazard to children when playing with the SERVO-DRIVE switch.

Children could choke on the SERVO-DRIVE switch battery.

- Make sure that children do not open the SERVO-DRIVE switch as they could choke on parts or the battery from the SERVO-DRIVE switch if they swallow them.
- Risk of explosion if the battery is replaced by an incorrect type
- Do not ingest battery, Chemical Burn Hazard
- This product contains a coin / button cell battery. If the coin / button cell battery is swallowed, it can cause severe internal burns in just 2 hours and can lead to death.
- Keep new and used batteries away from children.
- If the battery compartment does not close securely, stop using the product and keep it away from children.
- If you think batteries might have been swallowed or placed inside any part of the body, seek immediate medical attention.

Opening drawers may pose a risk of injury to children!

- Children should be properly supervised when in the room so that they do not play with the lift system.
- To ensure that SERVO-DRIVE is not triggered unintentionally, the switched outlet should be turned off.



Cabinet care and cleaning

WARNING

Danger of death from electric shock!

There is a danger of electric shock if fluids penetrate the SERVO-DRIVE power supply unit.

- Before cleaning the front, turn off the switched outlet to which the SERVO-DRIVE power supply unit is connected.
- Before cleaning the SERVO-DRIVE components, unplug the SERVO-DRIVE power supply unit.
- Make sure that no water or aggressive cleaning materials come into contact with the drive unit, the SERVO-DRIVE power supply unit or the SERVO-DRIVE switch while cleaning the cabinet – use a moist cloth.
- Never open a SERVO-DRIVE power supply unit, drive unit or SERVO-DRIVE switch.
- Any cabling damage should be immediately corrected by a qualified specialist.
- Do not cover the SERVO-DRIVE power supply unit with cloths or other items – danger of overheating.
- Examine the appliance frequently for signs of wear or damage. If there are such signs or if the appliance has been misused or does not work, contact the supplier for further information

WARNING

Danger of injury if the lever springs upward!

There is a danger of injury from the lever springing upwards during improper removal of the front including fittings.

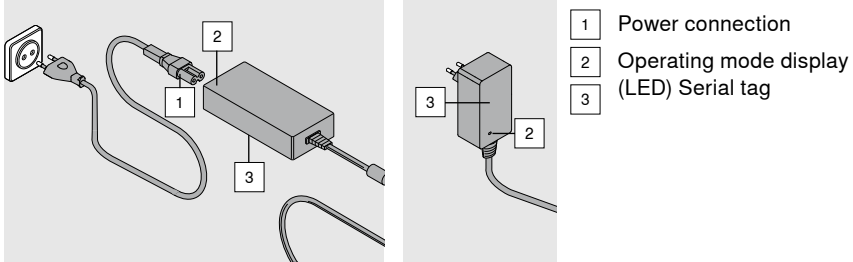


- Never remove the front for cleaning.
- Front removal may only be carried out by qualified personnel according to the separate installation instructions.



SERVO-DRIVE power supply units

SERVO-DRIVE power supply units provide power to the drive unit. SERVO-DRIVE power supply unit function can be checked via the operating mode indicator (LED).

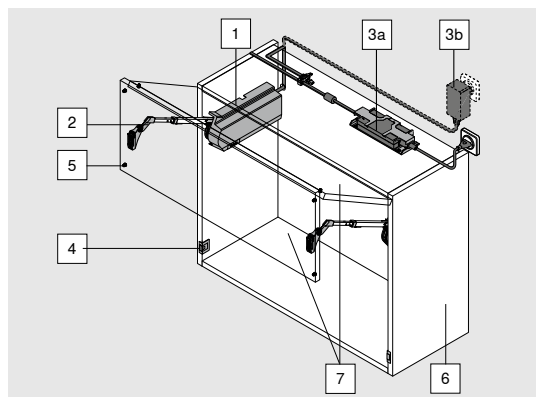




SERVO-DRIVE for AVENTOS/SERVO-DRIVE uno for AVENTOS

SERVO-DRIVE for AVENTOS supports the opening and closing of lift systems in furniture.

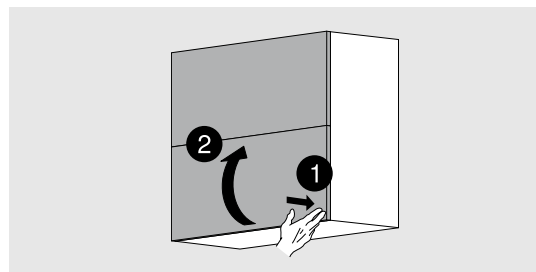
Reference diagram



- 1 Lift mechanism, drive unit and cover cap
- 2 Lever arm
- 3a SERVO-DRIVE power supply unit
- 3b SERVO-DRIVE plug-in power supply unit
- 4 SERVO-DRIVE switch
- 5 Blum distance bumper
- 6 Cabinet
- 7 Front/Lift system

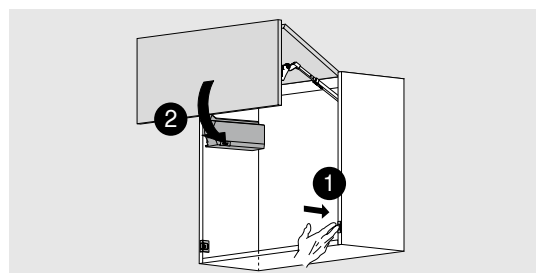
Electrical motion support system

The SERVO-DRIVE switch triggers the automatic opening and closing action of SERVO-DRIVE for AVENTOS.



Press on the front

- The lift system opens automatically



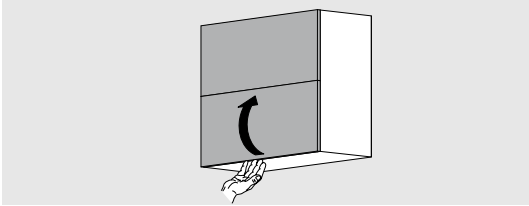
Press on the SERVO-DRIVE switch

- The lift system closes automatically

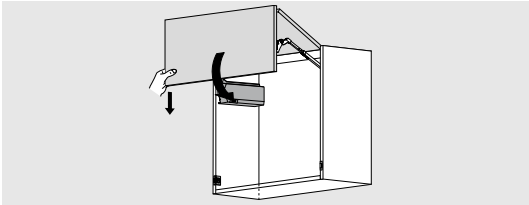


Manual operation

The lift system can be opened or closed manually at any time without damaging SERVO-DRIVE for AVENTOS.



- Manual opening of the lift system by moving it upwards



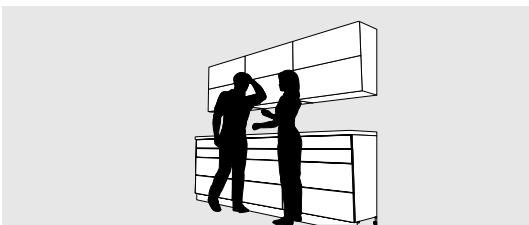
- Manual closing of the lift system by moving it downwards

Collision detection



The opening and closing action is interrupted automatically via the integrated collision detection feature when the front hits a body part or other object.

Lean protection feature

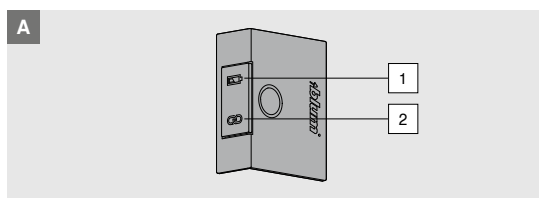


SERVO-DRIVE for AVENTOS is only triggered by a brief touch. Leaning on the lift system will not open it.



SERVO-DRIVE switch

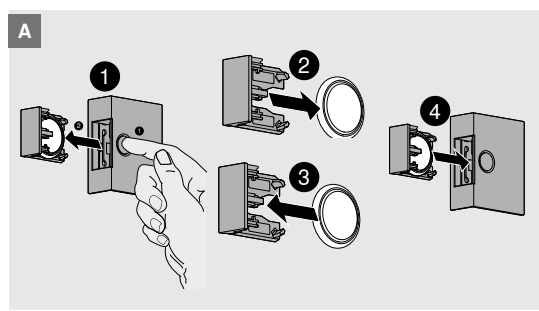
The SERVO-DRIVE switch is battery-operated (CR2032).
Only use batteries from reputable manufacturers.



- 1 Battery display (LED)
- 2 Connect (LED)

Replacing the battery

When the battery power begins to weaken, the battery display (LED) will begin to flash red.

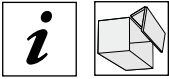


- 1 Open the SERVO-DRIVE switch and remove the battery holder
- 2 Remove the battery
- 3 Insert new battery (type CR2032), observing the correct pole connections
- 4 Close battery holder

If the battery is inserted incorrectly, the SERVO-DRIVE switch battery display will light up red.

NOTE

The SERVO-DRIVE switch battery must not be recharged or discarded into fire.



Power failure

If the power supply is interrupted during the opening or closing process, the SERVO-DRIVE for AVENTOS lift system will remain in that position. The front can be closed manually, or when power is restored; simply touch the switch to re-activate SERVO-DRIVE function.

The following parameters must be observed to ensure the error-free functioning of SERVO-DRIVE for AVENTOS:

- Blum distance bumpers must be attached to the front to maintain the required distance between the lift system and the cabinet.
- No items should be placed between the front and the cabinet.

NOTE

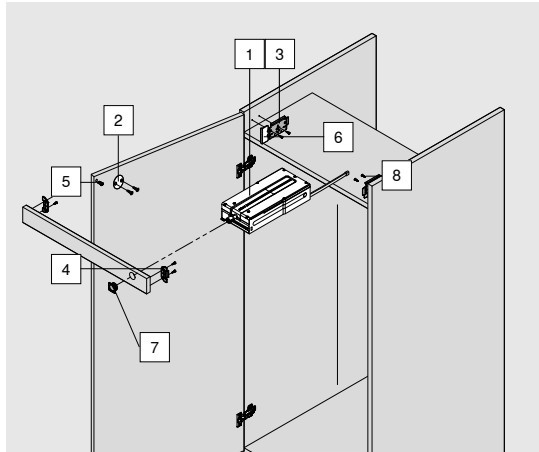
- Improper use may cause SERVO-DRIVE for AVENTOS to wear prematurely!
 - Do not press or pull with force against the movement direction when opening or closing the lift system.
 - Never remove the front. Front removal may only be carried out by qualified personnel. See also the safety section at the first pages of this leaflet.
-



SERVO-DRIVE flex

SERVO-DRIVE flex allows handle-less refrigerators and freezers to be opened electromechanically by pressing the front.

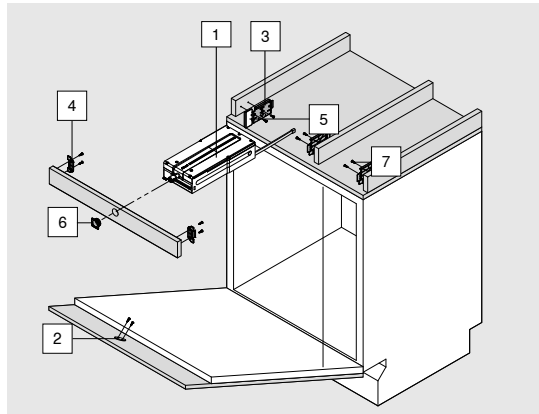
Orientation diagram



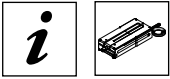
- 1 Drive unit
- 2 Catch plate
- 3 Mounting plate
- 4 Front fixing
- 5 Blum distance bumper
- 6 Assembly jig
- 7 Front cover
- 8 Chipboard screws

SERVO-DRIVE flex allows handle-less dishwashers to be opened electromechanically by pressing the front.

Orientation diagram

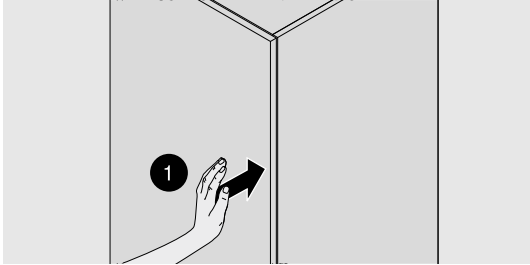


- 1 Drive unit
- 2 Catch plate
- 3 Mounting plate
- 4 Front fixing
- 5 Assembly jig
- 6 Front cover
- 7 Chipboard screws

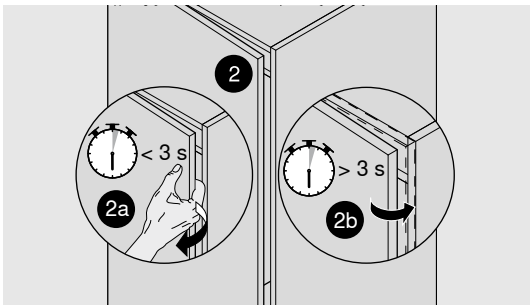


Electrical motion support system

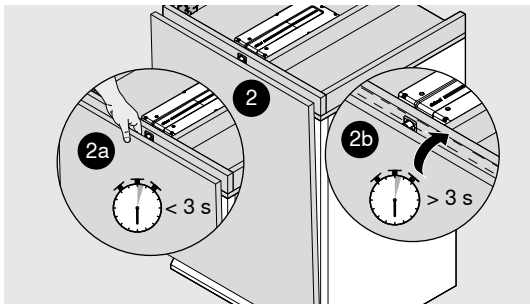
Pressing the handle-less front will trigger the electromechanical opening of SERVO-DRIVE flex.



- 1) Press (do not pull) the front
- The door (refrigerator or dishwasher) will open slightly for 2.5 sec



- 2a) User utilises opening to grip door
- Continues opening process
- 2b) User does not touch door
- Door closes again



The following parameters must be observed to ensure the error-free functioning of SERVO-DRIVE flex:

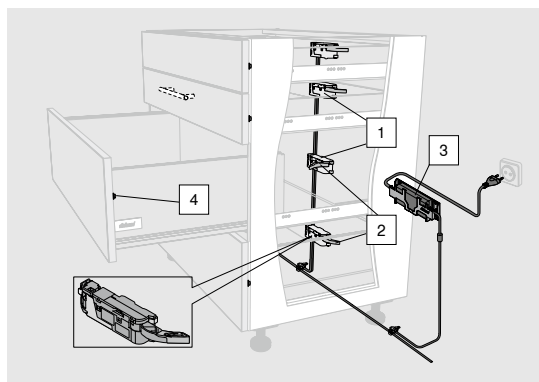
- Blum distance bumpers must be attached to the front to ensure the required triggering signal (2 mm) between the pull-out unit and the cabinet.
- No items should be positioned between the pull-out element and the cabinet back and/or SERVO-DRIVE.



SERVO-DRIVE for LEGRABOX/MERIVOBX/TANDEMBOX/ MOVENTO/TANDEM

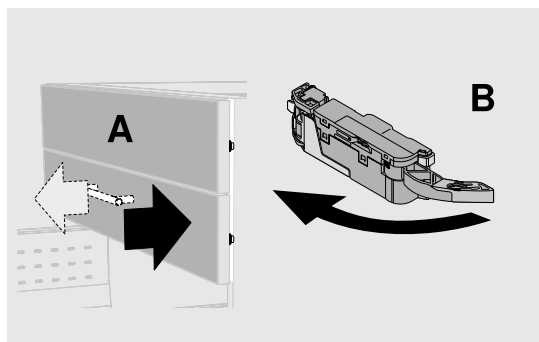
SERVO-DRIVE supports the opening of drawers.

Reference diagram

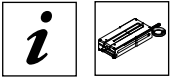


- 1 Drive unit
- 2 Eject lever
- 3 SERVO-DRIVE power supply unit
- 4 Blum distance bumper

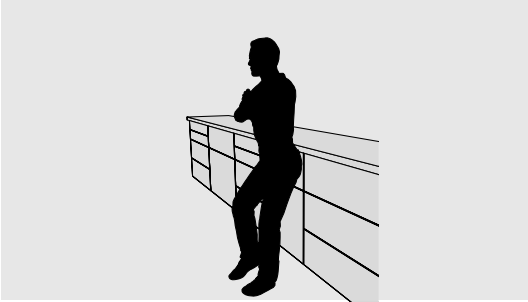
Electrical motion support system



When the front and/or handle of the drawer (A) is pulled or pressed, the eject lever of the drive unit (B) swivels forward and opens the pull-out unit a short distance.

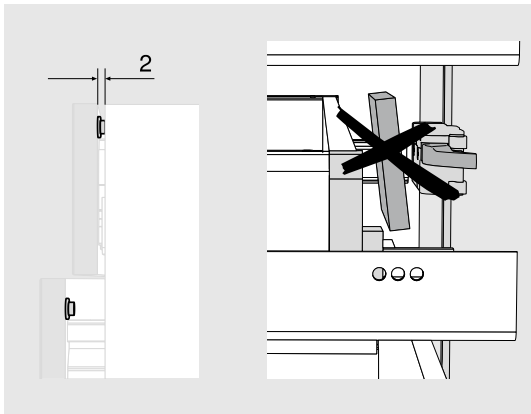


Lean protection feature



The electromechanical opening support function is only triggered by a brief touch or pull. Leaning on the pull-out unit, for example, will not open it.

The following parameters must be observed to ensure the error-free functioning of SERVO-DRIVE:



- Blum distance bumpers must be attached to the front to ensure the required triggering signal (2 mm) between the pull-out unit and the cabinet.
- No items can be clamped between the pull-out unit and the cabinet back and/or SERVO-DRIVE.

NOTE

- Improper use may cause SERVO-DRIVE for pull-out systems to wear prematurely!
- Do not press or pull with force against the movement direction when opening or closing the drawer.

Simplified EU declaration of conformity

Julius Blum GmbH hereby declares that all electrical and electronic article types of Julius Blum GmbH conform to Directive 2011/65/EU.

Julius Blum GmbH hereby declares that the machine types Z10A3000 and Z10C5000 conform to the Directive 2006/42/EC and Directive 2014/30/EU.

Julius Blum GmbH hereby declares that the machine types 23.A001, 23KA001, 21FA001, 21LA001, 21SA001 and 21KA001 conform to the Directive 2006/42/EC and Directive 2014/53/EU.

Julius Blum GmbH hereby declares that the radio equipment types 23P5020 and Z10C5007 conform to the Directive 2014/53/EU.

Julius Blum GmbH hereby declares that the electrical and electronic article types Z10ZE000 and Z10ZC000 conform to the Directive 2014/30/EU.

Julius Blum GmbH hereby declares that the Blum transformer types Z10NA300, Z10NA40x*, Z10NE030 and Z10NE040 conform to the directive 2014/35/EU and Directive 2014/30/EU.

The complete text of the EU declaration of conformity is available at the following Internet address:
www.blum.com/compliance

Problems

www.blum.com/sd/troubleshooting

Detailed information on the Machine Directive

www.blum.com/sd/guideline

* x = B, E, H, K, N, R, S, U, Z

Disposing of electrical and electronic appliances

Electrical and electronic appliances must not be disposed of with household waste at the end of their service life. Ask your local authority for information on how to proceed. Blum electrical and electronic appliances meet the requirements of the WEEE Directive 2012/19/EU. Electrical and electronic appliances are collected separately, which enables old appliances to be reused or recycled, and their materials to be reused. This is intended to prevent any hazardous materials that may be contained in the appliances from damaging the environment and health during disposal. In most cases, the entire appliance does not need to be disposed of according to the WEEE guidelines, but only the part that is equipped with electrical components. Please refer to the disassembly instructions for information on this. There are free collection points for returning electrical and electronic appliances in your area. You will find further information on this under the following link: www.blum.com/recycling

Disposing of batteries

Batteries must not be disposed of with household waste at the end of their service life. Ask your local authority for information on how to proceed. Batteries used at Blum meet the requirements of the Battery Directive 2006/66/EC. Batteries are collected separately, which enables the batteries or their materials to be recycled. This is intended to prevent any hazardous materials that may be contained in the appliances from damaging the environment and health during disposal. Please refer to the disassembly instructions for information on removing batteries. There are free collection points for returning batteries in your area. Please avoid shorting the contact surfaces when disposing of batteries. You will find further information on this under the following link: www.blum.com/recycling

Supplier's Declaration of Conformity 47 CFR § 2.1077 Compliance Information

Unique Identifier

Product-Family: SERVO-DRIVE
Product-Types: $23xA00y \mid x \in \{., K\} \wedge y \in \{0, 1\}, 23.A00L83$
 $21xA00y \mid x \in \{F, L, S, K\} \wedge y \in \{0, 1\}, Z10C5007$
Z10A3000, Z10C5000
23P5020 with PCB 23P502L00 or PCB 23P502L00.01
 $Z10NA40x \mid x \in \{B, E, H, K, N, R, S, U, Z\}, Z10NA300$
Z10NE040, Z10NE030

Responsible Party-U.S. Contact Information

Blum Inc.
7733 Old Plank Rd.
Stanley, North Carolina
28164

Mr. Christopher Muck
Email: chris.muck@blum.com

FCC Compliance Statement

This device complies with Part 15 of the FCC Rules. Operation is subject to the following two conditions: (1) This device may not cause harmful interference, and (2) this device must accept any interference received, including interference that may cause undesired operation.



23P5020 with 23P502L00.01

with batchnumber ≥ 8AU0058042

European Union



United Kingdom



France



United States of America, Canada



Australia, New Zealand



N 19650

IC: 8352A-23P502L0001 / CAN ICES-003 (B)/NMB-3(B)

This device complies with Industry Canada license-exempt RSS standard(s). Operation is subject to the following two conditions: (1) this device may not cause interference, and (2) this device must accept any interference, including interference that may cause undesired operation of the device.

Le présent appareil est conforme aux CNR d'Industrie Canada applicables aux appareils radio exempts de licence. L'exploitation est autorisée aux deux conditions suivantes: (1) l'appareil ne doit pas produire de brouillage, et (2) l'utilisateur de l'appareil doit accepter tout brouillage radioélectrique subi, même si le brouillage est susceptible d'en compromettre le fonctionnement.

FCC ID: W95-23P502L00-01

This device complies with part 15 of the FCC Rules. Operation is subject to the following two conditions: (1) This device may not cause harmful interference, and (2) this device must accept any interference received, including interference that may cause undesired operation.

NOTE: This equipment has been tested and found to comply with the limits for a Class B digital device, pursuant to part 15 of the FCC Rules. These limits are designed to provide reasonable protection against harmful interference in a residential installation. This equipment generates, uses and can radiate radio frequency energy and, if not installed and used in accordance with the instructions, may cause harmful interference to radio communications. However, there is no guarantee that interference will not occur in a particular installation. If this equipment does cause harmful interference to radio or television reception, which can be determined by turning the equipment off and on, the user is encouraged to try to correct the interference by one or more of the following measures:

- Reorient or relocate the receiving antenna.
- Increase the separation between the equipment and receiver.
- Connect the equipment into an outlet on a circuit different from that to which the receiver is connected.
- Consult the dealer or an experienced radio/TV technician for help.

Changes or modifications not expressly approved by the party responsible for compliance could void the user's authority to operate the equipment.

Eurasian Economic Union, Belarus



Ukraine



UA.TR 3093-CET

Serbia



U005 21

Israel

55-10271

China



Japan



005-102896



South Korea



R-C-W01-23P5020
이 기기는 가정용 (B급) 전자파적합 기기로서 주로 가정에서 사용하는 것을 목적으로 하며, 모든 지역에서 사용할 수 있습니다.

This equipment is home use (Class B) electromagnetic wave suitability equipment and to be used mainly at home and it can be used in all areas.

Taiwan



CCAN21LP1110T9

「取得審驗證明之低功率射頻器材，經核權准，公司、商號或使用者均不得擅自變更頻率、加大功率或變更原設計之特性及功能。」

低功率射頻器材之使用不得影響飛航安全及干擾合法通信。

經發現有干擾現象時，應立即停用，並改善至無干擾時方得繼續使用。前述合法通信，

指依電信管理法規定作業之無線電通信。低功率射頻器材須忍受合法通信或工業、

科學及醫療用電波輻射性電機設備之干擾。」

R35323

RoHS

Singapore

Complies with
IMDA Standards
DA105823

South Africa



Mexico



RCPBL2322-0272

La operación de este equipo está sujeta a las siguientes dos condiciones: (1) es posible que este equipo o dispositivo no cause interferencia perjudicial y (2) este equipo o dispositivo debe aceptar cualquier interferencia, incluyendo la que pueda causar su operación no deseada.

Brazil



04726-20-12947

Resolução 680/2017: "Este equipamento não tem direito à proteção contra interferência prejudicial e não pode causar interferência em sistemas devidamente autorizados"

Vietnam



United Arab Emirates



TRA – United Arab Emirates

Dealer ID: 22-04-12870
TA RTTE: ER02742/21
Model: 23P5020
Type: Short range device



Kingdom of Saudi Arabia



TA 2021-2237

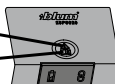
Position of instructional safeguards



Caution:
This product contains a coin / button cell battery.



More information, can be found in the section Safety.





23KA001 with 23.A00L83

The drive unit "23KA001" contains the radio module "23.A00L83".

European Union



United Kingdom



France



United States of America, Canada



Australia, New Zealand



Contains IC: 8352A-23A00L83 / CAN ICES-3 (B)/NMB-3(B)

This device complies with Industry Canada license-exempt RSS standard(s). Operation is subject to the following two conditions: (1) this device may not cause interference, and (2) this device must accept any interference, including interference that may cause undesired operation of the device.

Le présent appareil est conforme aux CNR d'Industrie Canada applicables aux appareils radio exempts de licence. L'exploitation est autorisée aux deux conditions suivantes: (1) l'appareil ne doit pas produire de brouillage, et (2) l'utilisateur de l'appareil doit accepter tout brouillage radioélectrique subi, même si le brouillage est susceptible d'en compromettre le fonctionnement.

Contains FCC ID: W95-23A00L83

This device complies with part 15 of the FCC Rules. Operation is subject to the following two conditions: (1) This device may not cause harmful interference, and (2) this device must accept any interference received, including interference that may cause undesired operation.

NOTE: This equipment has been tested and found to comply with the limits for a Class B digital device, pursuant to part 15 of the FCC Rules. These limits are designed to provide reasonable protection against harmful interference in a residential installation. This equipment generates, uses and can radiate radio frequency energy and, if not installed and used in accordance with the instructions, may cause harmful interference to radio communications. However, there is no guarantee that interference will not occur in a particular installation. If this equipment does cause harmful interference to radio or television reception, which can be determined by turning the equipment off and on, the user is encouraged to try to correct the interference by one or more of the following measures:

- Reorient or relocate the receiving antenna.
- Increase the separation between the equipment and receiver.
- Connect the equipment into an outlet on a circuit different from that to which the receiver is connected.
- Consult the dealer or an experienced radio/TV technician for help.

Changes or modifications not expressly approved by the party responsible for compliance could void the user's authority to operate the equipment.

Eurasian Economic Union, Belarus



Ukraine



UA.TR 2570.1-CET

Serbia



I005 23

Israel

51-70179

China



Japan



005-102235



South Korea



R-R-W0K-23KA001

이 기기는 가정용(비급)전자파적합기로서 주 로 가정에서 사용하는 것을 목적으로 하며,모 든 지역에서 사용할 수 있습니다.

This equipment is home use (Class B) electromagnetic wave suitability equipment and to be used mainly at home and it can be used in all areas.

Taiwan



R35233
RoHS

Contains NCC ID: CCAN19LP1040T4
23KA001; CCAN19LP1050T7

「取得審驗證明之低功率射頻器材，非經核准，公司、商號或使用者均不得擅自變更頻率、加大功率或變更原設計之特性及功能。

低功率射頻器材之使用不得影響飛航安全及干擾合法通信。

經發現有干擾現象時，應立即停用，並改善至無干擾時方得繼續使用。前述合法通信，

指依電信管理法規定作業之無線電通信，低功率射頻器材須忍受合法通信或工業、

科學及醫療用電波輻射性電機設備之干擾。」

Singapore

Complies with
IMDA Standards
DA105823

Hong Kong

Certified for use in Hong Kong
經認證可在香港使用
Certificate No. 證書號碼
HK0021900077



South Africa



Mexico



RCPBL2320-0042

La operación de este equipo está sujeta a las siguientes dos condiciones: (1) es posible que este equipo o dispositivo no cause interferencia perjudicial y (2) este equipo o dispositivo debe aceptar cualquier interferencia, incluyendo la que pueda causar su operación no deseada.

Brasil



01062-21-12947

Resolução 680/2017: "Este equipamento não tem direito à proteção contra interferência prejudicial e não pode causar interferência em sistemas devidamente autorizados"



SERVO-DRIVE Instruction leaflet



23.A001 with 23.A00L83

The drive unit "23.A001" contains the radio module "23.A00L83".

European Union



United Kingdom



France



United States of America, Canada



Australia, New Zealand



N 19650

IC: 8352A-23A001 / CAN ICES-3 (B)/NMB-3(B)

This device complies with Industry Canada license-exempt RSS standard(s). Operation is subject to the following two conditions: (1) this device may not cause interference, and (2) this device must accept any interference, including interference that may cause undesired operation of the device.

Le présent appareil est conforme aux CNR d'Industrie Canada applicables aux appareils radio exempts de licence. L'exploitation est autorisée aux deux conditions suivantes: (1) l'appareil ne doit pas produire de brouillage, et (2) l'utilisateur de l'appareil doit accepter tout brouillage radioélectrique subi, même si le brouillage est susceptible d'en compromettre le fonctionnement.

FCC ID: W95-23A001

This device complies with part 15 of the FCC Rules. Operation is subject to the following two conditions: (1) This device may not cause harmful interference, and (2) this device must accept any interference received, including interference that may cause undesired operation.

NOTE: This equipment has been tested and found to comply with the limits for a Class B digital device, pursuant to part 15 of the FCC Rules. These limits are designed to provide reasonable protection against harmful interference in a residential installation. This equipment generates, uses and can radiate radio frequency energy and, if not installed and used in accordance with the instructions, may cause harmful interference to radio communications. However, there is no guarantee that interference will not occur in a particular installation. If this equipment does cause harmful interference to radio or television reception, which can be determined by turning the equipment off and on, the user is encouraged to try to correct the interference by one or more of the following measures:

- Reorient or relocate the receiving antenna.
- Increase the separation between the equipment and receiver.
- Connect the equipment into an outlet on a circuit different from that to which the receiver is connected.
- Consult the dealer or an experienced radio/TV technician for help.

Changes or modifications not expressly approved by the party responsible for compliance could void the user's authority to operate the equipment.

Serbia



N005 22

Israel

55-14302

China



Japan



005-103091



South Korea



R-R-WOI-23A001

이 기기는 가정용(비군)전자파적합기기로서 주로 가정에서 사용하는 것을 목적으로 하며, 모든 지역에서 사용할 수 있습니다.

This equipment is home use (Class B) electromagnetic wave suitability equipment and to be used mainly at home and it can be used in all areas.

Taiwan



CCAN22LP0620T9

「取得審證證明之低功率射頻器材，非經核准，公司、商號或使用者均不得擅自變更頻率、加大功率或變更原設計之特性及功能。

低功率射頻器材之使用不得影響飛航安全及干擾合法通信。經發現有干擾現象時，應立即停用，並改善至無干擾時方得繼續使用。前述合法通信，指依電信管理法規定作業之無線電通信。低功率射頻器材須受合法通信或工業、科學及醫療用電波輻射性電機設備之干擾。」

R35323
RoHS

Singapore

Complies with
IMDA Standards
DA105823

IRAQ

CMC TA 2207762

South Africa



TA-2022/1858
APPROVED

Brasil



16771-22-12947

Resolução 680/2017: "Este equipamento não tem direito à proteção contra interferência prejudicial e não pode causar interferência em sistemas devidamente autorizados"

United Arab Emirates



TDRS – UNITED ARAB Emirates

Dealer ID: DA88113/20

TA RTTE: ER14798/22

Model Name: 23.A001

Type: Short range device / Low power Devices



限用物質含有情況標示聲明書 Declaration of the Presence Condition of Restricted Substances			限用物質及其化學符號 Restricted substances and its chemical symbols					
設備名稱. Equipment name:	型號(型式). Type designation (Type):	單元. Unit:	鉛 Lead (Pb)	汞 Mercury (Hg)	鎘 Cadmium (Cd)	六價鉻 Hexavalent chromium (Cr ⁺⁶)	多溴聯苯 Polybrominated biphenyls (PBB)	多溴二苯醚 Polybrominated diphenyl ethers (PBDE)
電源適配器	Z10NA40x, Z10NA300 "x" ∈ {B,E,H, K,N,R,S,U,Z}	電子元件 + 印刷電路板 Electronic components+PCB	○	○	○	○	○	○
		外殼 Housing	○	○	○	○	○	○
		輸出線材 Output cable	○	○	○	○	○	○
		交流電輸入端子 AC Input Pin	—	○	○	○	○	○
電源適配器	Z10NE040, Z10NE030	電子元件 + 印刷電路板 Electronic components+PCB	○	○	○	○	○	○
		外殼 Housing	○	○	○	○	○	○
		輸出線材 Output cable	○	○	○	○	○	○
驅動單元	21xA00y "x" ∈ {F,L,S,K} "y" ∈ {0,1}	電子元件 + 印刷電路板 Electronic components+PCB	○	○	○	○	○	○
		馬達 Motor	○	○	○	○	○	○
		變速器 Gearbox	○	○	○	○	○	○
驅動單元	23xA00y "x" ∈ {,K} "y" ∈ {0,1}	電子元件 + 印刷電路板 Electronic components+PCB	○	○	○	○	○	○
		馬達 Motor	○	○	○	○	○	○
		變速器 Gearbox	○	○	○	○	○	○
驅動單元	Z10A3000	電子元件 + 印刷電路板 Electronic components+PCB	○	○	○	○	○	○
		馬達 Motor	○	○	○	○	○	○
		變速器 Gearbox	○	○	○	○	○	○
驅動單元	Z10C5000	電子元件 + 印刷電路板 Electronic components+PCB	○	○	○	○	○	○
		馬達 Motor	○	○	○	○	○	○
		變速器 Gearbox	○	○	○	○	○	○
		電纜線材 Cable	○	○	○	○	○	○
備考1. Note 1:	"超出0.1 wt %"及"超出0.01 wt %"係指限用物質之百分比含量超出百分比含量基準值。 "Exceeding 0.1 wt. %" and "exceeding 0.01 wt %" indicate that the percentage content of the restricted substance is exceeding the reference percentage value of presence condition.							
備考2. Note 2:	"○" 係指該項限用物質之百分比含量未超出百分比含量基準值。 "○" indicates that the percentage content of the restricted substance does not exceed the percentage of reference value of presence.							
備考3. Note 3:	"—" 係指該項限用物質為排除項目。 "—" indicates that the restricted substance corresponds to the exemption.							

Technical data

The appliances must only be used in dry, closed rooms. All SERVO-DRIVE drive units, the COMBOX and the vibration sensor are of protection class III and must only be supplied with safety extra-low voltage (SELV). They are only to be used with the power supply units provided by Blum.

SERVO-DRIVE power supply unit Z10NE030

Input voltage:	100–240 V AC / 50–60 Hz
Input current:	0.6 A
Output voltage:	24.0 V DC
Output current:	1.0 A
Output power:	24.0 W
Average active efficiency:	86.8 %
Efficiency at low load (10%):	84.0 %
No-load power consumption:	≤ 0.08 W
Ambient conditions:	
Transport / Storage:	-30 to +70 °C / 0 to 90 % r.H.
Operation:	0 to +40 °C / 5 to 80 % r.H. non condensing
Maximum altitude:	2000 m (at an ambient temperature of 25 °C)
Protection category:	IP40 (if cable end protector is inserted)

SERVO-DRIVE power supply unit Z10NE040

Input voltage:	100–240 V AC / 50–60 Hz
Input current:	2.5 A
Output voltage:	24.0 V DC
Output current:	3.0 A
Output power:	72.0 W
Average active efficiency:	≥ 88.0 %
Efficiency at low load (10%):	≥ 80.0 %
No-load power consumption:	≤ 0.15 W
Ambient conditions:	
Transport / Storage:	-30 to +70 °C / 0 to 90 % r.H.
Operation:	0 to +40 °C / 5 to 80 % r.H. non condensing
Maximum altitude:	4000 m (at an ambient temperature of 25 °C)
Protection category:	IP40 (if cable end protector is inserted)

SERVO-DRIVE plug-in power supply unit Z10NA300

Input voltage:	100–240 V AC / 50–60 Hz
Input current:	0.3 A
Output voltage:	24.0 V DC
Output current:	0.5 A
Output power:	12.0 W
Average active efficiency:	83.3 %
Efficiency at low load (10%):	78.0 %
No-load power consumption:	≤ 0.08 W
Ambient conditions:	
Transport / Storage:	-30 to +70 °C / 0 to 90 % r.H.
Operation:	0 to +40 °C / 5 to 80 % r.H. non condensing
Maximum altitude:	2000 m (at an ambient temperature of 25 °C)
Protection category:	IP40 (if cable end protector is inserted)

SERVO-DRIVE plug-in power supply unit Z10NA40x*

Input voltage:	100–240 V AC / 50–60 Hz
Input current:	2.0 A
Output voltage:	24.0 V DC
Output current:	1.0 A
Output power:	24.0 W
Average active efficiency:	≥ 86.4 %
Efficiency at low load (10%):	≥ 77.0 %
No-load power consumption:	≤ 0.10 W
Ambient conditions:	
Transport / Storage:	-30 to +70 °C / 0 to 90 % r.H.
Operation:	0 to +40 °C / 5 to 80 % r.H. non condensing
Maximum altitude:	4000 m (at an ambient temperature of 25 °C)
Protection category:	IP40 (if cable end protector is inserted)

* x = B, E, H, K, N, R, S, U, Z

SERVO-DRIVE drive unit for AVENTOS 21FA001, 21SA001, 21LA001, 21KA001

Supply voltage:	24.0 V DC
Rated current:	2.0 A
Power consumption in standby mode:	≤ 0.55 W (front closed)
Operating mode:	S3 5 % (max. 10 motions/10 min.)
Emission sound pressure level:	< 70 dB(A)
Ambient conditions:	
Transport / Storage:	-30 to +70 °C / 0 to 90 % r.H.
Operation:	0 to +40 °C / 5 to 80 % r.H. non condensing
Maximum altitude:	2000 m (at an ambient temperature of 25 °C)
Protection category:	IP20
Radio equipment:	
Frequency band:	2.404 to 2.452 GHz
Maximum radio-frequency power:	+4 dBm / 2.5 mW
Range:	typically 10 m (depending on material and contents)
Transmission method:	bidirectional, via a coded wire

SERVO-DRIVE drive unit for AVENTOS top 23.A001, 23KA001

Supply voltage:	24.0 V DC
Rated current:	2.0 A
Power consumption in standby mode (23.A001):	≤ 0.15 W (front closed)
Power consumption in standby mode (23KA001):	≤ 0.40 W (front closed)
Operating mode:	S3 5 % (max. 10 motions/10 min.)
Emission sound pressure level:	< 70 dB(A)
Ambient conditions:	
Transport / Storage:	-30 to +70 °C / 0 to 90 % r.H.
Operation:	0 to +40 °C / 5 to 80 % r.H. non condensing
Maximum altitude:	4000 m (at an ambient temperature of 25 °C)
Protection category:	IP20
Radio equipment:	
Frequency band:	2.404 to 2.452 GHz
Maximum radio-frequency power:	+4 dBm / 2.5 mW
Range:	typically 10 m (depending on material and contents)
Transmission method:	bidirectional, via a coded wire

SERVO-DRIVE drive unit for LEGRABOX / MERIVOBX / TANDEMBOX / MOVENTO / TANDEM Z10A3000.03, Z10A3000.50

Supply voltage: 24.0 V DC
 Rated current: 2.0 A
 Power consumption in standby mode: ≤ 0.15 W (front closed)
 Operating mode: S3 5 % (max. 10 motions/10 min.)
 Emission sound pressure level: < 70 dB(A)
 Ambient conditions:
 Transport / Storage: -30 to +70 °C / 0 to 90 % r.H.
 Operation: 0 to +40 °C / 5 to 80 % r.H. non condensing
 Maximum altitude: 2000 m (at an ambient temperature of 25 °C)
 Protection category: IP20

SERVO-DRIVE flex drive unit Z10C5000

Supply voltage: 24.0 V DC
 Rated current: 2.0 A
 Power consumption in standby mode: ≤ 0.15 W (front closed)
 Power consumption in standby mode (with wireless receiver): ≤ 0.35 W (front closed)
 Operating mode: S3 5 % (max. 10 motions/10 min.)
 Emission sound pressure level: < 70 dB(A)
 Ambient conditions:
 Transport / Storage: -30 to +70 °C / 0 to 90 % r.H.
 Operation: 0 to +40 °C / 5 to 80 % r.H. non condensing
 Maximum altitude: 2000 m (at an ambient temperature of 25 °C)
 Protection category: IP20
 Radio equipment (with wireless receiver):
 Frequency band: 2.404 to 2.452 GHz
 Maximum radio-frequency power: +4 dBm / 2.5 mW
 Range: typically 10 m (depending on material and contents)
 Transmission method: bidirectional, via a coded wire

SERVO-DRIVE switch 23P5020

Supply voltage:	3.0 V Lithium button cell CR2032
Rated current:	10 mA
Power consumption in standby mode:	≤ 1 µW
Ambient conditions:	
Transport / Storage:	-30 to +70 °C / 0 to 90 % r.H.
Operation:	0 to +40 °C / 5 to 80 % r.H. non condensing
Maximum altitude:	4000 m (at an ambient temperature of 25 °C)
Protection category:	IP20
Radio equipment:	
Frequency band:	2.404 to 2.452 GHz
Maximum radio-frequency power:	+4 dBm / 2.5 mW
Range:	typically 10 m (depending on material and contents)
Transmission method:	bidirectional, via a coded wire

Wireless receiver Z10C5007

Supply voltage:	24.0 V DC
Rated current:	10 mA
Power consumption in standby mode:	≤ 0.20 W
Ambient conditions:	
Transport / Storage:	-30 to +70 °C / 0 to 90 % r.H.
Operation:	0 to +40 °C / 5 to 80 % r.H. non condensing
Maximum altitude:	2000 m (at an ambient temperature of 25 °C)
Protection category:	IP20
Radio equipment:	
Frequency band:	2.404 to 2.452 GHz
Maximum radio-frequency power:	+4 dBm / 2.5 mW
Range:	typically 10 m (depending on material and contents)
Transmission method:	bidirectional, via a coded wire

Quake sensor Z10ZE000

Supply voltage: 24.0 V DC
 Rated current: 25 mA
 Power consumption in standby mode: ≤ 0.20 W
 Switching current: ≤ 10.0 A
 Switching threshold: 0.2 m/s² ≈ 0.02 g
 Ambient conditions:
 Transport / Storage: -30 to +70 °C / 0 to 90 % r.H.
 Operation: 0 to +40 °C / 5 to 80 % r.H. non condensing
 Maximum altitude: 2000 m (at an ambient temperature of 25 °C)
 Protection category: IP20

COMBOX Z10ZC000

Supply voltage: 24.0 V DC
 Rated current: 10 mA
 Power consumption in standby mode: ≤ 0.10 W
 Ambient conditions:
 Transport / Storage: -30 to +70 °C / 0 to 90 % r.H.
 Operation: 0 to +40 °C / 5 to 80 % r.H. non condensing
 Maximum altitude: 2000 m (at an ambient temperature of 25 °C)
 Protection category: IP20

Connecting nodes Z10V1000.01

Rated voltage: 24.0 V DC
 Rated current: 10.0 A
 Ambient conditions:
 Transport / Storage: -30 to +70 °C / 0 to 90 % r.H.
 Operation: 0 to +40 °C / 5 to 80 % r.H. non condensing
 Maximum altitude: 4000 m (at an ambient temperature of 25 °C)

Blum partners worldwide can be found at:
www.blum.com/addresses

Look for our
FSC™-certified
products



BA-139/5 · 04.24 · © Copyright by Blum

Julius Blum GmbH
6973 Höchst, Austria
Tel.: +43 5578 705-0
Fax: +43 5578 705-44
E-mail: info@blum.com
www.blum.com

Our sites in Austria, Poland and China are certified
to the international standards mentioned below.
Our site in the USA is certified to ISO 9001.
Our site in Brazil is certified to ISO 9001, ISO 14001 and ISO 45001.

