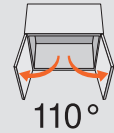


Hinges



COMPACT 33

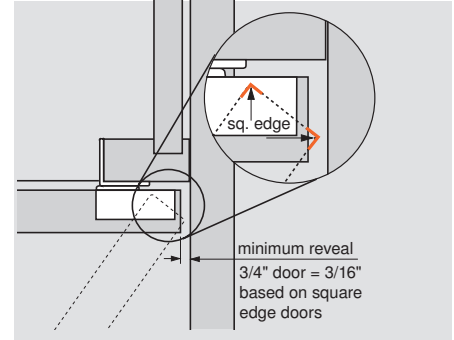
Product discontinued 2023



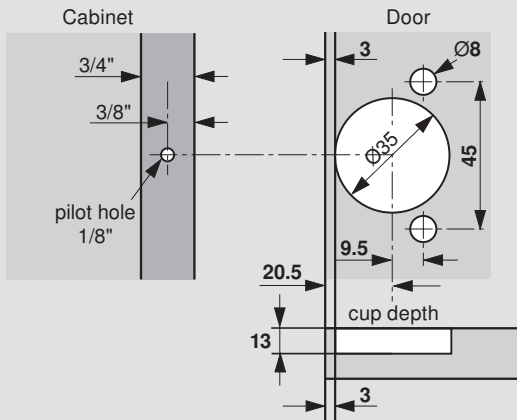
Features

- 110° opening angle
- Two piece assembly
- Edge or face mount
- 1/2" cup depth
- ±9/64" height adjustment
- -1/8" side adjustment only
- Zinc die-cast hinge and mounting plates
- Can be used with BLUMOTION 971A9700

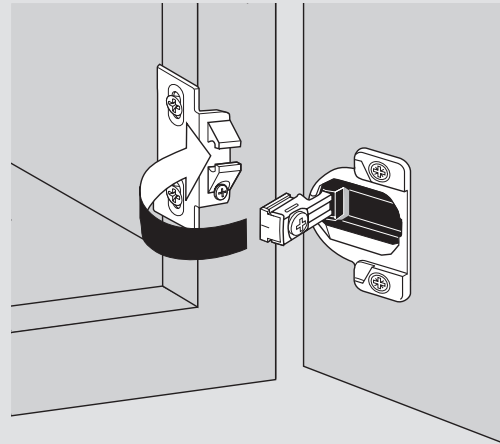
Minimum Reveal



Boring pattern



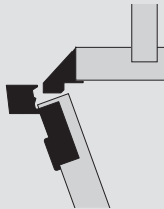
Mounting



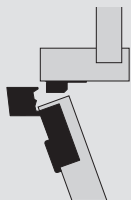
NOTE: Maximum door thickness 3/4"

Attachment options

Edge mount



Face mount



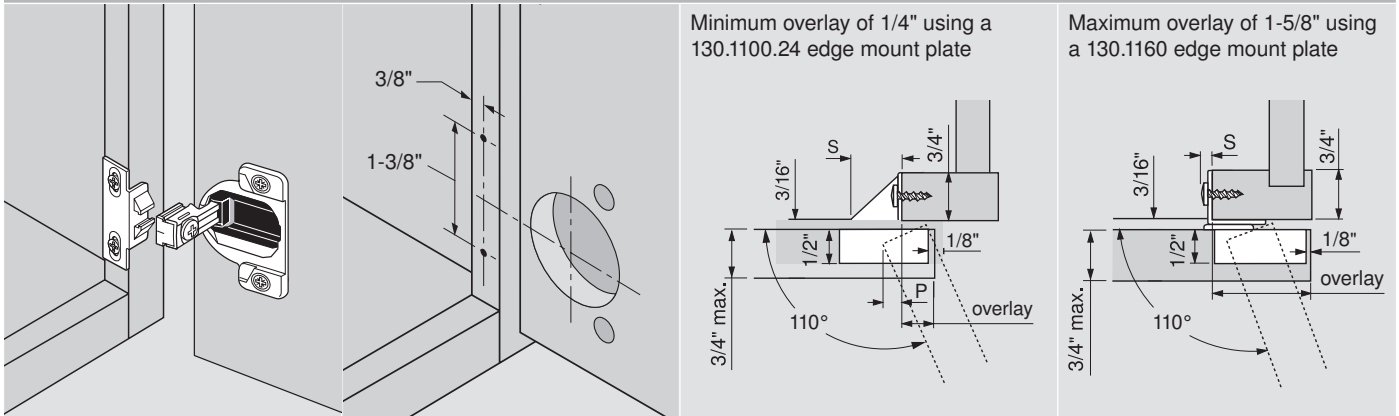
Attachment	Screw-on	Press-in
	33.3600	33.3630

Installation screw

Wood screw	606N or 606P
------------	--------------

Product discontinued 2023

Edge mount specifications



Edge mount mounting plates

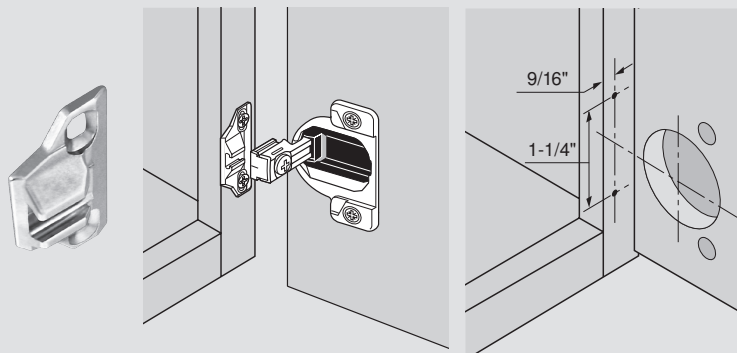


- Zinc die-cast, nickel-plated
- Attaches with #6 x 5/8" wood screws (606N or 606P)
- Overlays from 1/4" to 1-5/8"

NOTE: An additional screw is required on mounting plates with 1-3/8" to 1-5/8" overlays to insure stability. Install after height adjustments have been made.

Overlay	Hinge arm protrusion (S)	Door protrusion (P)	Mounting plate
1/4"	1-1/8"	1/2"	130.1100.24
1/2"	7/8"	1/4"	130.1100.23
5/8"	3/4"	1/8"	130.1100.26
3/4"	5/8"	0	130.1100.22
1"	3/8"	0	130.1110.02
1-1/8"	1/4"	0	130.1120.02
1-1/4"	3/16"	0	130.1130.02
*1-3/8"	3/16"	0	130.1140.02
*1-1/2"	3/16"	0	130.1150.02
*1-5/8"	3/16"	0	130.1160

Face mount mounting plate



- Zinc die-cast, nickel-plated
- Attaches with #6 x 5/8" wood screws (606N or 606P)
- Overlays 1-3/8" or greater

Mounting plate	Part no.
Face mount	133.0240