

CLIP top BLUMOTION + 37° II – angled hinge overlay

Technical data sheet



Product



- CLIP top BLUMOTION with integrated BLUMOTION (and deactivation option)
- All metal hinge, nickel plated
- +37° II angled hinge
- 95° opening angle
- 3-dimensional front adjustment
- Convenient spiral-screw depth adjustment
- Tool-free front to cabinet assembly and removal

Ordering information

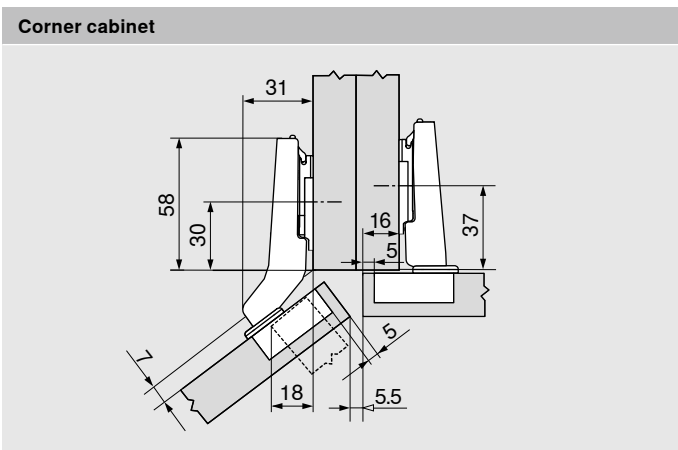
	Boss	EXPANDO	
Hinge		Spring	
CLIP top BLUMOTION		●	79B9587E
● With spring			

	Boss	Knock-in	
Hinge		Spring	
CLIP top BLUMOTION		●	79B9587
● With spring			

Accessories		
	Hinge arm cover cap	
Print / stamp	Logo	
Plain	–	70.1553
Stamped	Blum	70.1553.BP

	Hinge boss cover cap	
Boss	EXPANDO / knock-in	
CLIP top BLUMOTION		70T3504

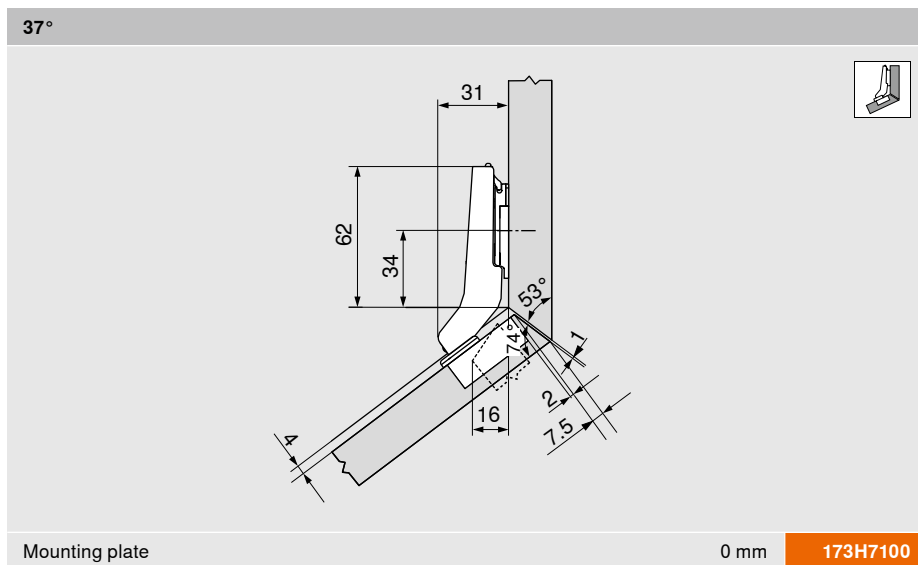
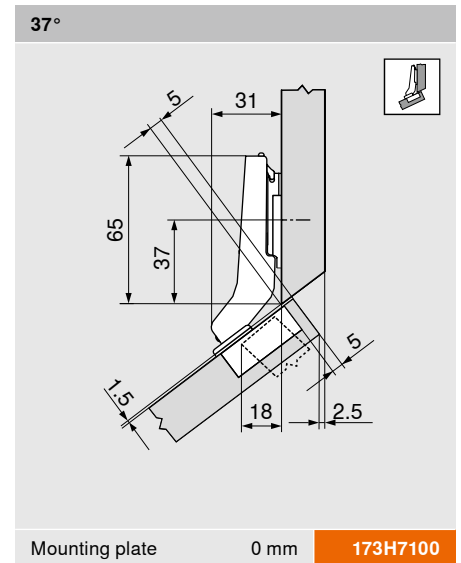
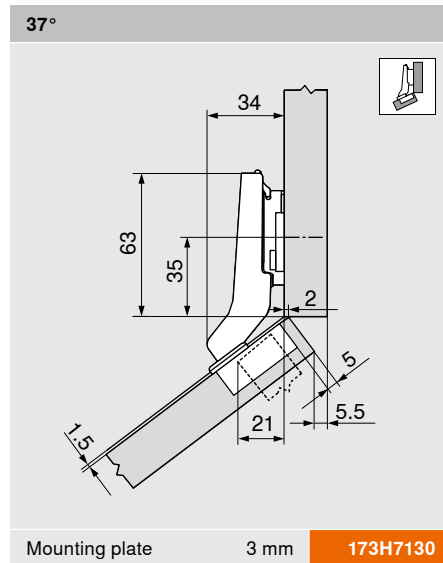
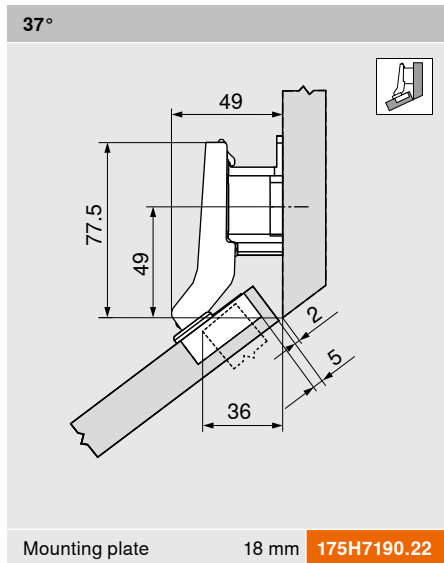
Planning



Note

These dimensions apply for 19 mm door and cabinet side panel thickness at the factory setting. The application type changes in the case of deviation. A trial application is recommended. Some applications require the mounting plate to be moved from the standard fixing positions.

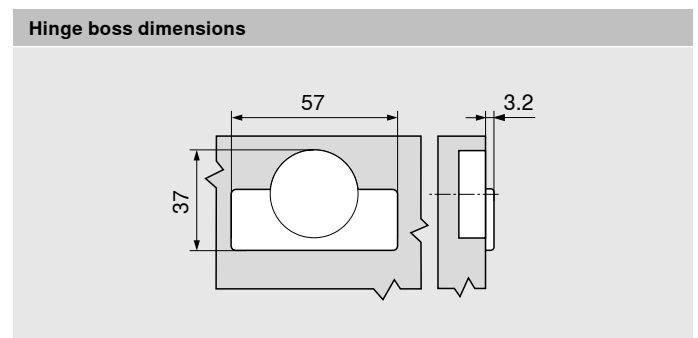
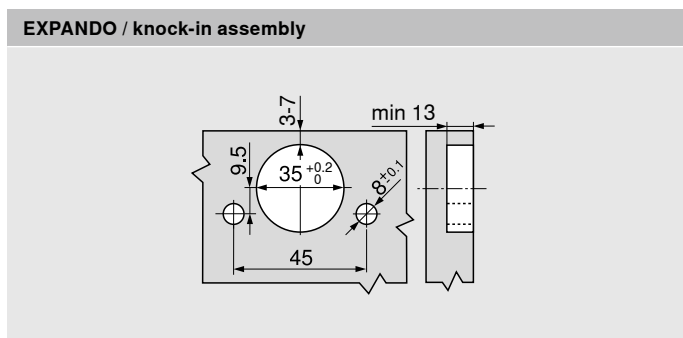
Planning



Adjustment ranges

	max. ± 3.0 mm
	± 1.8 mm
	± 2.0 mm

See mounting plates



Julius Blum GmbH
Furniture Fittings Mfg.
6973 Höchst, Austria
Tel.: +43 5578 705-0
Fax: +43 5578 705-44
E-mail: info@blum.com
www.blum.com

Our sites in Austria, Poland and China are certified to the international standards mentioned below.
Our site in the USA is certified to ISO 9001.
Our site in Brazil is certified to ISO 9001, ISO 14001 and ISO 45001.



ISO 9001
Certified Quality
System



ISO 14001
Certified Environmental
System



ISO 50001
Certified Energy
System

 **blum**®



Look for our
FSC™-certified
products

All content is copyrighted by Blum.
Subject to technical modifications and changes to the range without notice.
TD-067/3 EN-AL/10.23