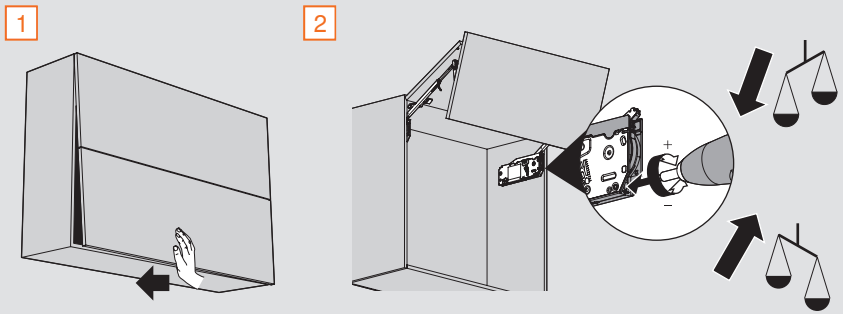
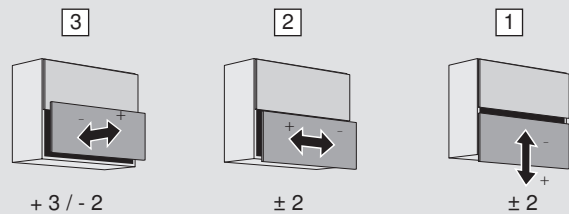
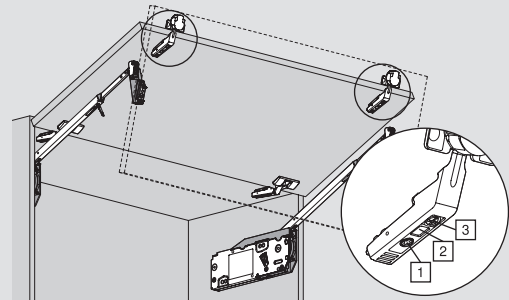
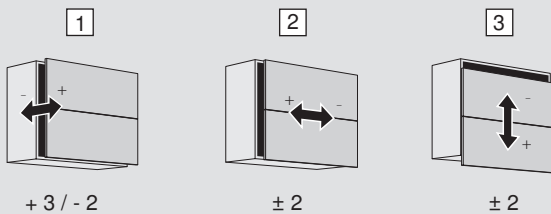
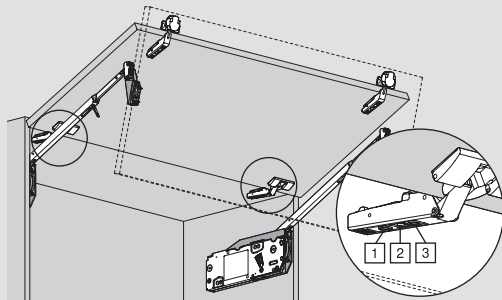


AVENTOS HF top tension adjustment

- 1 Close and flush doors to cabinet. Open and close door to test closing force.
- 2 Use a screw gun and a T20 TORX driver bit to adjust the lift mechanism to the desired tension. Test door again and repeat until door is balanced. Tension adjustment should be the same on both lift mechanisms.


AVENTOS HF top door adjustments

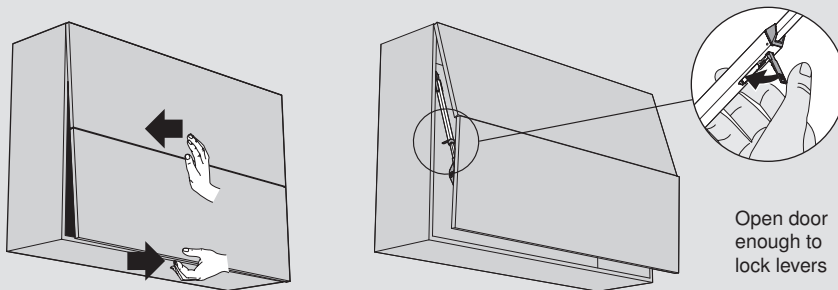
- 1 Adjust each top door hinge and mounting plate to properly align the top door to the cabinet.
- 2 Adjust each bottom door hinge and mounting plate to properly align doors to the cabinet and to the top door.



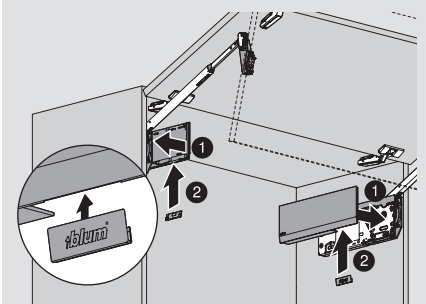
NOTE: Although not illustrated here, telescopic arm mounting plates can also be adjusted horizontally ± 2 if needed

Adjust and lock telescopic arms

- 1 Close and flush doors to cabinet. While pressing on the top door, pull the bottom door open approximately one inch.
- 2 Slightly open door and lock the telescopic arms into position using the levers as shown.

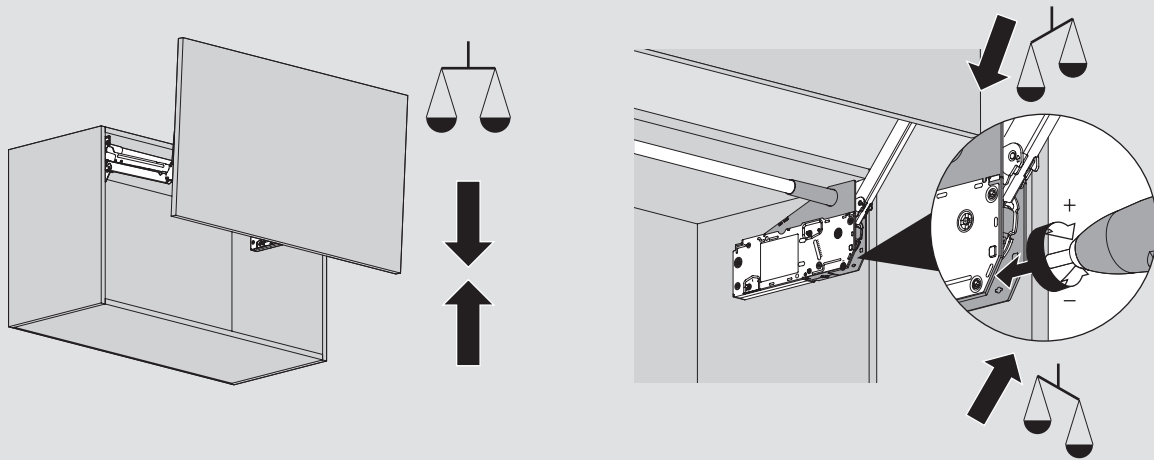

Attaching cover caps

Place the left and right cover plates over the appropriate lift mechanisms and snap them in place.



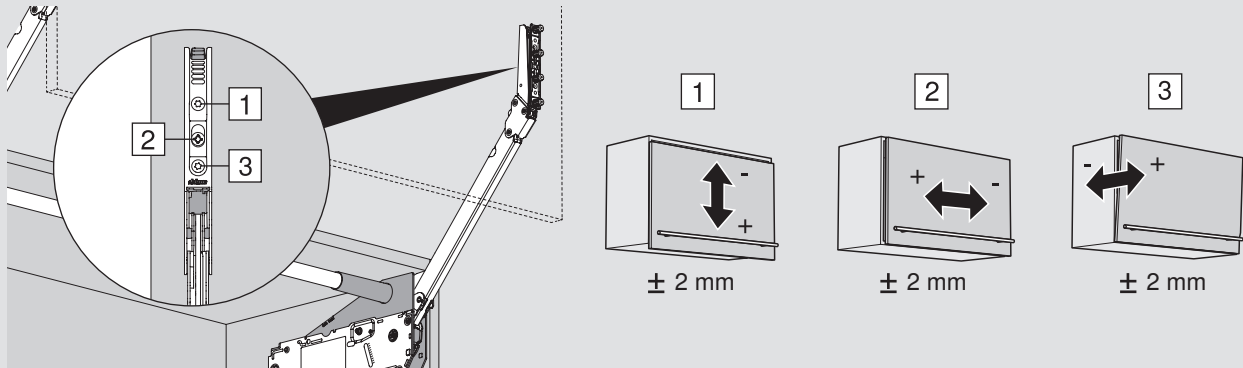
AVENTOS HL top tension adjustment

Use a screw gun and a T20 TORX driver bit to adjust the lift mechanism to the desired tension (door weight balanced).



AVENTOS HL top door adjustments

Use a TORX screwdriver to adjust cam adjustments for each of the three-dimensional door adjustments.



Attaching cover caps

Place the left and right cover plates over the appropriate lift mechanisms and snap them in place.

