

KIT INSTRUCTIONS - H006

BLUMOTION (soft close) add-on for doors




Scan the QR code for instruction sheets, videos and other helpful resources.

Kit contains

1ct



BLUMOTION (soft close)
add-on for doors

 **WARNING: CHOKING HAZARD** — Small parts. Not for children under 3 years.

Tools (not included)



No tools required

NOTE: This add-on is for straight arm hinges. Adjustments must be made before installing BLUMOTION add-on (s). Hinge arm cutout must be square.

1. Check hinge compatibility

Confirm that you have a hinge(s) that will work with this particular BLUMOTION (soft close) add-on.

See table to the right for compatible hinges.

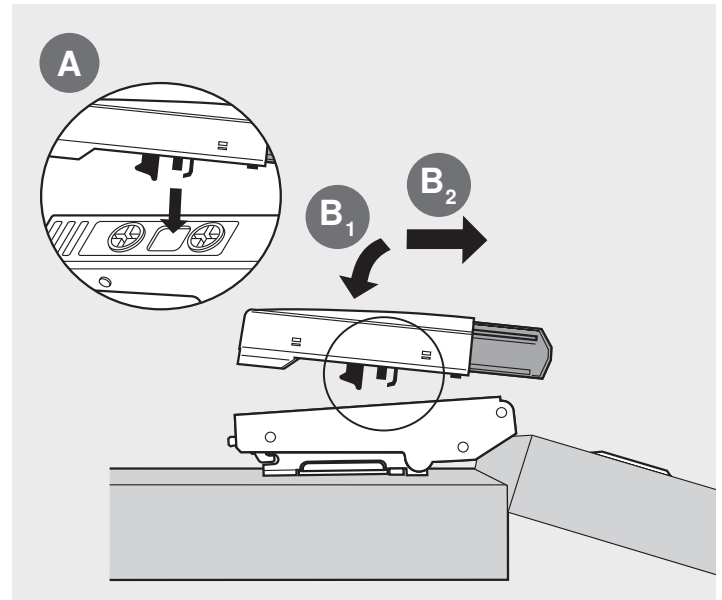
CLIP top	CLIP
110° hinge	100° hinge
110°+ hinge	
120° hinge	
120°+ hinge	
107° hinge	
95° thick door hinge	

2. Attach BLUMOTION (soft close) add-on to hinge arm

First, open door fully. Then, center BLUMOTION (soft close) add-on over the square hole opening in the hinge arm (A).

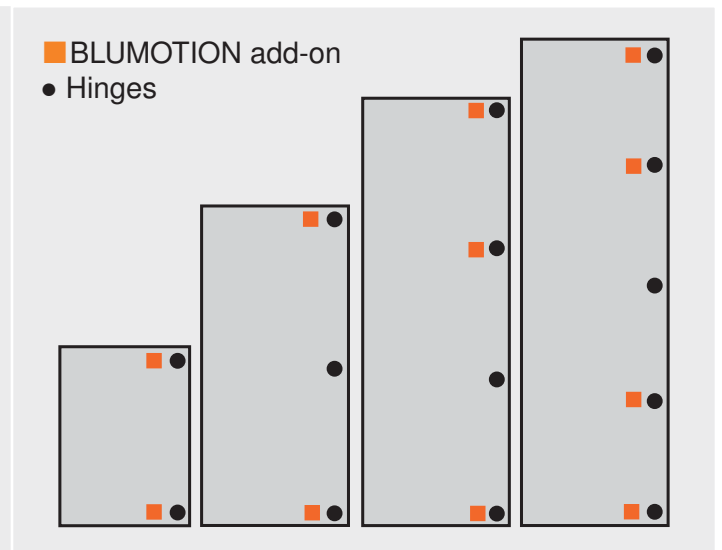
Push down and pull forward onto arm simultaneously until the add-on clips into place (B₁ and B₂).

NOTE: If you have a compatible hinge, but your add-on won't attach properly, check to make sure you haven't over adjusted your depth adjustment cam screw.



BLUMOTION (soft close) per door

- Test/trial application recommended.
- Small or light doors may only require one BLUMOTION add-on.
- The amount of add-ons used will vary depending on your door size and weight.



3. Remove BLUMOTION (soft close) add-on from hinge arm

While door is open, pull BLUMOTION (soft close) add-on forward (A) and away from hinge arm (B) simultaneously.

