

KIT INSTRUCTIONS - H004

COMPACT BLUMOTION (soft close) hinge



Scan the QR code for instruction sheets, videos and other helpful resources.

Kit contains



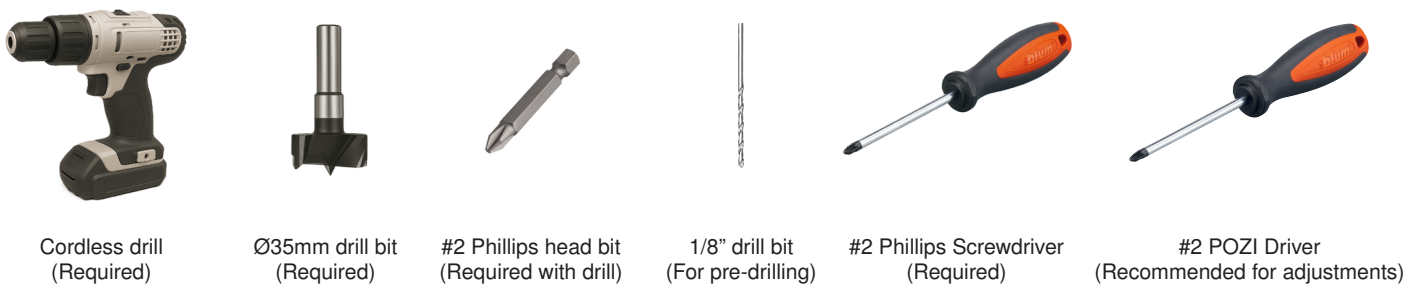
COMPACT BLUMOTION hinge
1/2" overlay

#6 x 5/8" Phillips
wood screws

#8 x 3/4" Phillips
truss head screw

WARNING: CHOKING HAZARD — Small parts. Not for children under 3 years.

Tools (not included)



Cordless drill
(Required)

Ø35mm drill bit
(Required)

#2 Phillips head bit
(Required with drill)

1/8" drill bit
(For pre-drilling)

#2 Phillips Screwdriver
(Required)

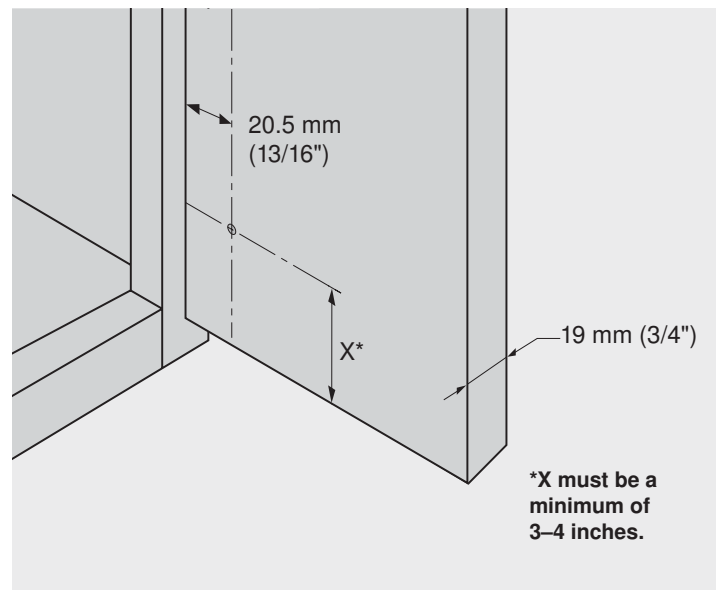
#2 POZI Driver
(Recommended for adjustments)

NOTE: Maximum door thickness = 3/4"
Maximum frame thickness = 3/4"
For square edge doors

1. Measure hinge cup placement

Choose desired placement for hinge from the bottom of your door to the hinge cup centerpoint (X).

The measurement from the inside edge of the door to the hinge cup centerpoint will be 20.5 mm (13/16").

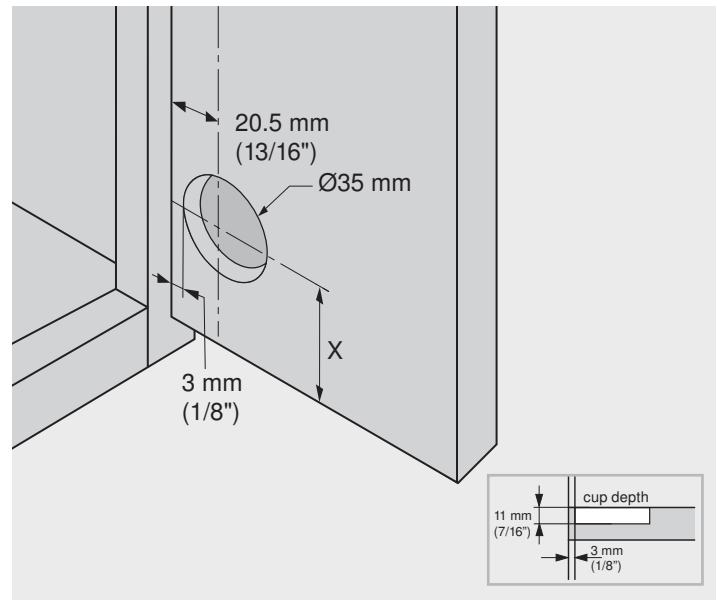


2. Drill cup hole

Use your 35 mm drill bit to drill your hinge cup hole to a depth of 11 mm (7/16").

Repeat steps 1 and 2 for the top of the door.

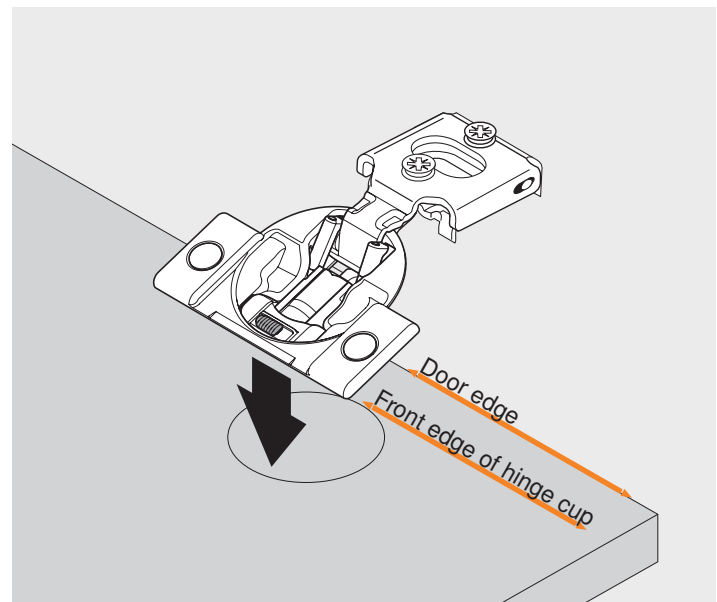
Tool: Use Ø35mm drill bit



3. Place hinge cup into drilled hole

Ensure the front edge of the hinge is parallel with the door edge.

NOTE: To ensure accurate alignment of the hinge cup to the door edge, use a square edge tool.



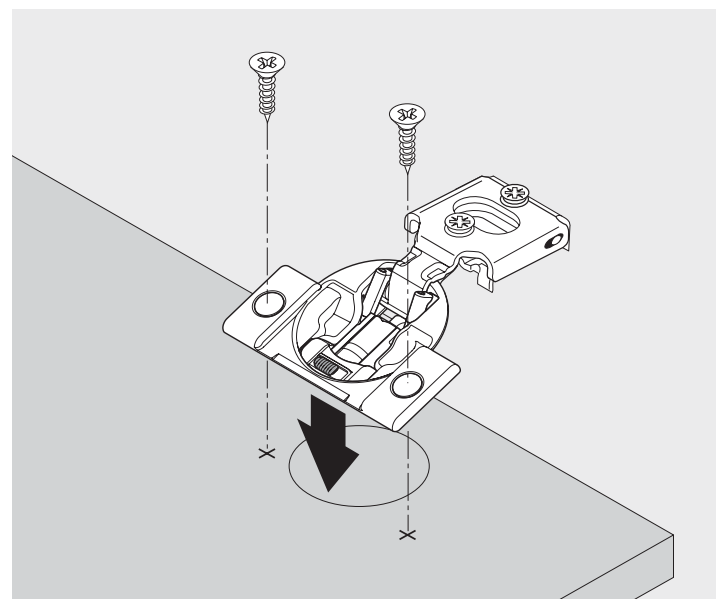
4. Attach hinge cup to door

Pre-drill two 3 mm (1/8") holes to a depth less than 5/8".

Using included #6 x 5/8" wood screws (2ct), attach the hinge cup to your door.

Repeat steps 3 and 4 for the top of the door.

Tools: Use 1/8" drill bit (pre-drilling)
#2 Phillips head bit



5. Attach hinged door to cabinet

- 5a.** If pre-drilling, determine your mounting location (Y) by doing the following:

$$Y = X - OL$$

Mounting location Hinge cup centerpoint Overlay

Refer to Step 1 for (X).

- 5b.** Measure the distance from the bottom of the cabinet opening to the bottom of the door. This is your overlay (OL).

- 5c.** Determine your mounting location (Y) for pre-drilling.

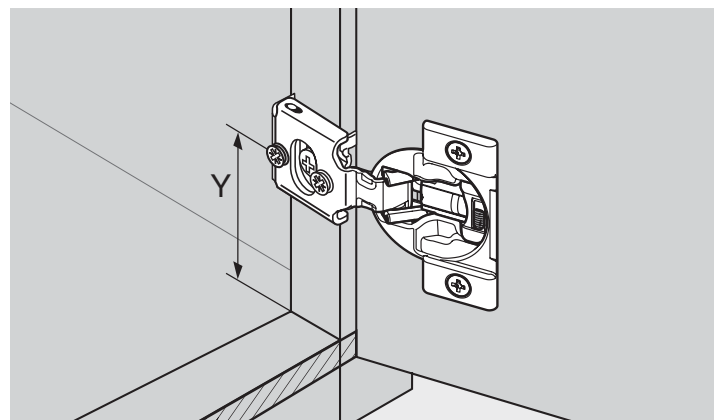
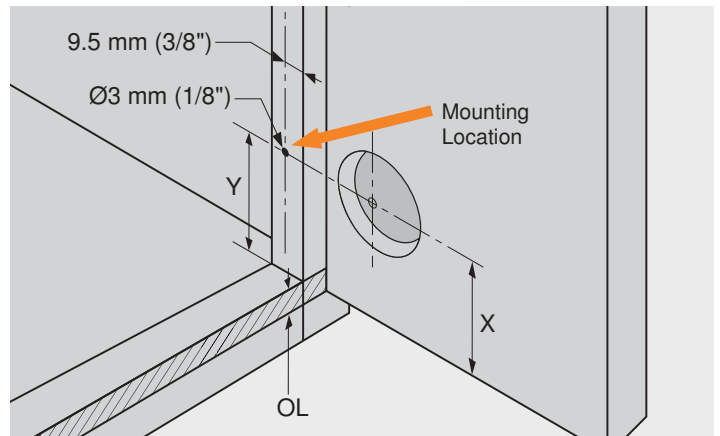
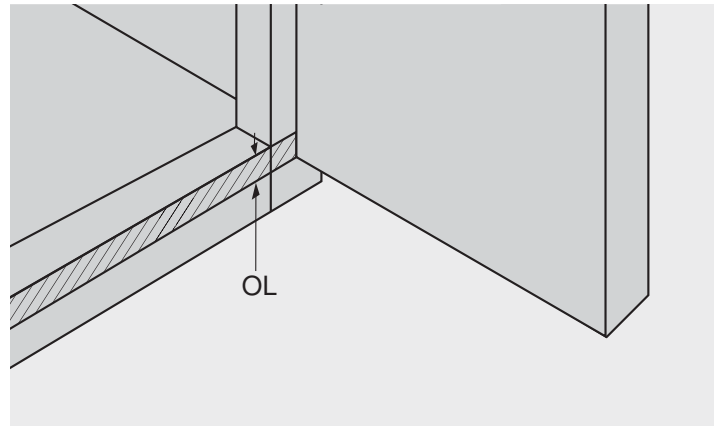
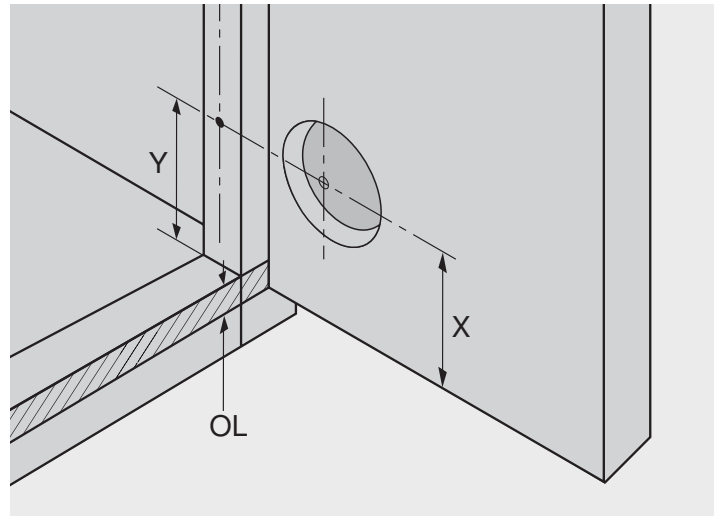
Take (X) and subtract (OL) to get your vertical mounting location. Pre-drill a 3 mm (1/8") hole at your mounting location (Y). Your pre-drill hole depth should be less than 3/4".

Tool: Use 1/8" drill bit

- 5d.** Attach hinge to frame using included #8 x 3/4" truss head screw (1ct).

Tool: Use #2 Phillips head bit

NOTE: If you are replacing Blum hinges, access the resource linked here: ["COMPACT 31/33 to COMPACT 38N/39C Replacement."](#)



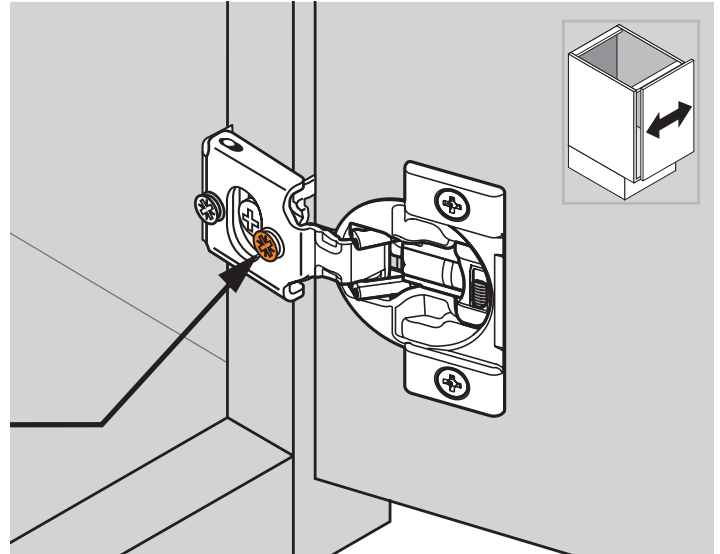
- 5e.** Repeat steps 5a to 5d for the top of the door.

6. Make adjustments

- 6a.** Side adjustment: Rotate the front cam screw to increase or decrease door side overlay.

Tool: Use #2 POZI driver

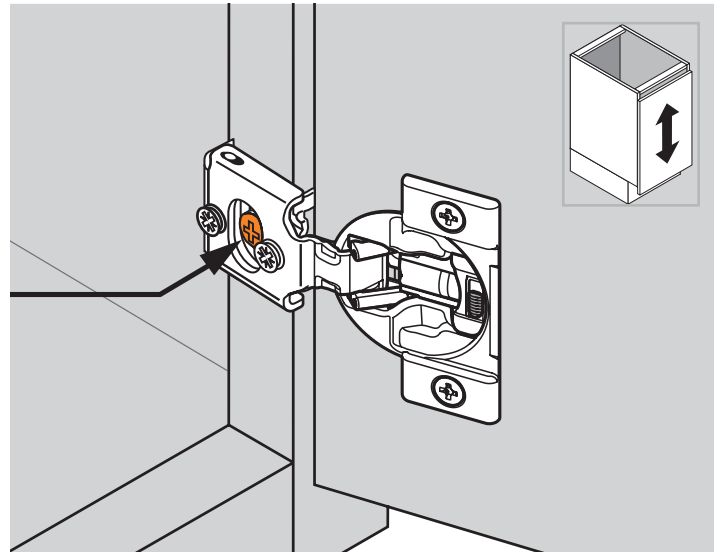
NOTE: Range = ± 1.5 mm (1/16")



- 6b.** Height adjustment: Loosen your mounting screw from step 5d to adjust door position up and down, and then retighten.

Tool: Use #2 Phillips screwdriver

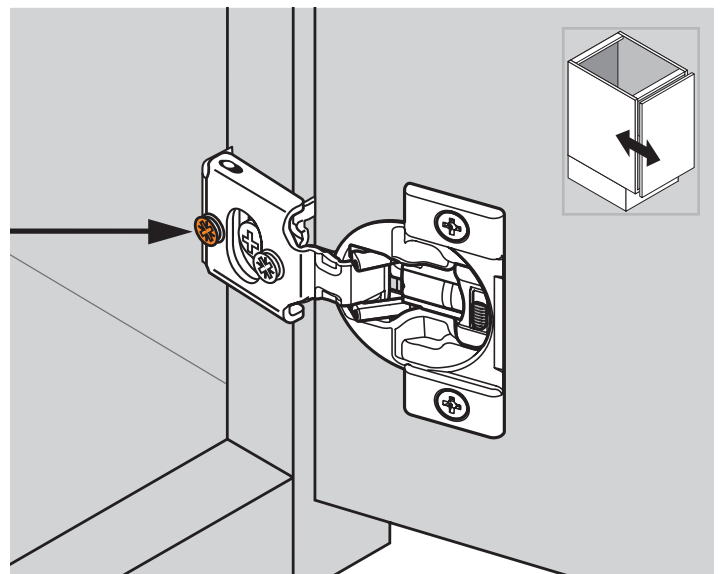
NOTE: Range = ± 3 mm (1/8")



- 6c.** Depth adjustment: Rotate the rear cam screw to increase or decrease door gap.

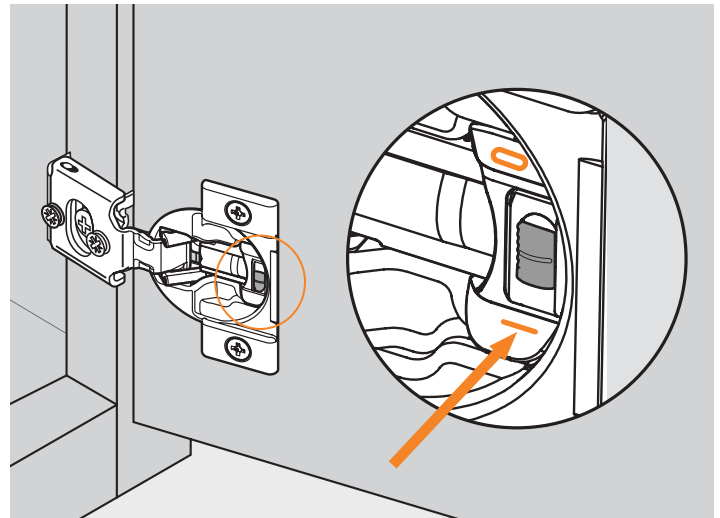
Tool: Use #2 POZI driver

NOTE: Range = +2 mm, -1 mm
(+3/32", -1/32")



7. Activate/Deactivate BLUMOTION (soft close)

7a. BLUMOTION (soft close) hinges come in the activated position, marked with an “I”.



7b. To deactivate BLUMOTION (soft close), slide the switch to the deactivated position marked with an “0”.

Door must be closed once for the deactivation to be complete.
To reactivate, move switch back to the original position “I”.

