



M BLUMOTION 105°

for standard applications with integrated soft-close mechanism in all living areas

Technical data sheet

www.blum.com

 **blum**®

What matters most?

The essentials: outstanding manufacturing quality, proven technology, smooth motion with soft-close BLUMOTION integrated in the boss, and fewer parts for easy use and installation, especially with flat-pack furniture. Not to mention an attractive price-performance ratio.

That's what matters most. And that's what makes M BLUMOTION 105° the perfect solution for a wide variety of furniture throughout the home.

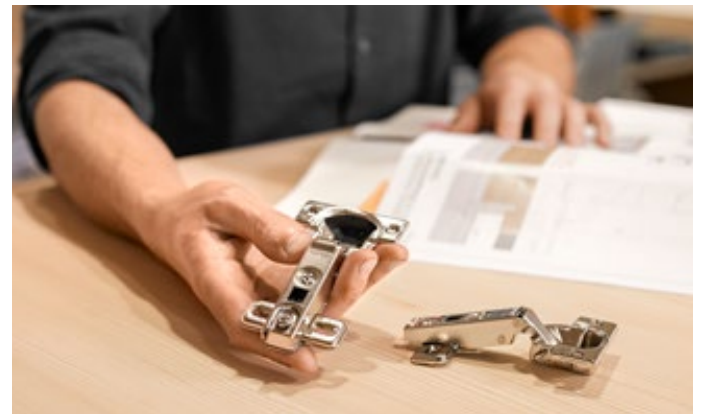
Product features:

- BLUMOTION soft-close mechanism integrated into the hinge boss
- Pre-mounted mounting plate
- Suitable for door thicknesses up to approx. 24 mm
- Small installation size with simple design
- Designed and certified for kitchen use (DIN 15570 test level 3)



Soft and effortless

The BLUMOTION soft-close mechanism integrated into the hinge boss features sophisticated technology that provides soft and effortless closing of furniture doors within the smallest space.



Quick and simple

The pre-attached mounting plate of the M BLUMOTION 105° saves time and is a convenient feature from ordering right through to installation.

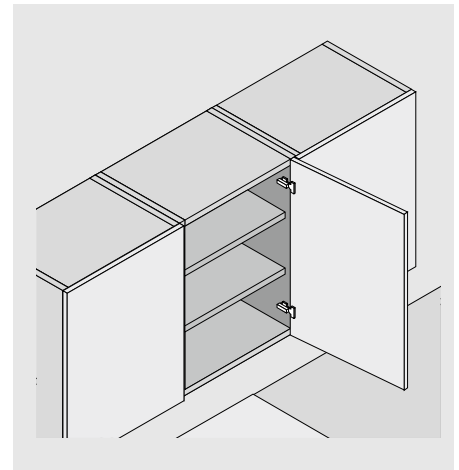


For the entire home

Something that proves its worth in the kitchen is also ideally suited to other living areas. The small installation size and simple design of the M BLUMOTION discreetly complements a variety of furniture with front thicknesses of up to approx. 24 mm.



- M BLUMOTION 105° with integrated BLUMOTION soft-close mechanism
- M 105° with or without closing mechanism (spring)
- Pre-mounted mounting plate
- 105° opening angle
- 3-dimensional front adjustment
- Integrated door removal stop
- Optional additional mounting plate fixing position




Ordering information


Hinge incl. mounting plate							
Hinge	Hinge boss and mounting plate			MD	Overlay application	Half overlay application	Inset application
	Spring	Colour	MD				
M BLUMOTION 105°	●	NI	0	95B2550.L0	95B2650.L0	95B2750.L0	
M BLUMOTION 105°	●	NI	3	95B2550.L3	95B2650.L3	95B2750.L3	
M 105°	●	NI	0	95M2550.L0	95M2650.L0	95M2750.L0	
M 105°	●	NI	3	95M2550.L3	95M2650.L3	95M2750.L3	
M 105°	○	NI	0	94M2550.L0	94M2650.L0	94M2750.L0	
M 105°	○	NI	3	94M2550.L3	94M2650.L3	94M2750.L3	
● With spring				NI Nickel plated			
○ Unsprung				MD Mounting plate spacing (mm)			


Hinge incl. mounting plate							
Hinge	Hinge boss and mounting plate			MD	Overlay application	Half overlay application	Inset application
	Spring	Colour	MD				
M BLUMOTION 105°	●	NI	0	95B258E.E0	95B268E.E0	95B278E.E0	
● With spring				NI Nickel plated			
				MD Mounting plate spacing (mm)			


Hinge arm cover cap							
Print/stamp	Logo	Colour	Overlay application	Half overlay application	Inset application		
Plain	-	NI	70.1503	70.1663	70.1663		
Stamped	Blum	NI	70.1503.BP	70.1663.BP	70.1663.BP		
NI Nickel plated							

Hinge boss cover cap		
	Colour	
	NI	70T3504
NI Nickel plated		

Opening angle stop		
	Opening angle	Colour
	85°	R7037
		94M2553
R7037 RAL 7037 dust grey		

Chipboard screw			
	Ø (mm)	Length (mm)	
	3.5	17	609.1700
Recommended screw length for fixing the mounting plate: 17 mm subject to cabinet thickness			

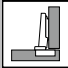
Hinge boss spacer		
	Boss	
	Screw-on	
	1.5 mm	70T3507.21

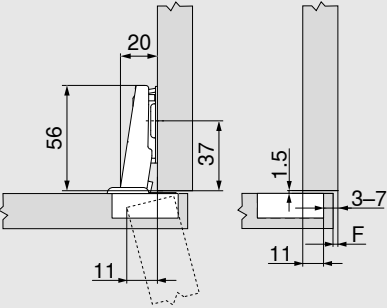
TIP-ON for doors				
	Version	TIP-ON spring	Spring	
	Short version	■	○	956.1004
	Long version	■	○	956A1004
	Long version	■	●	956A1006
	Long version	■ ■	●	956A1006F
	TIP-ON spring		Spring	
	■ Standard spring		● Hinge with spring	
	■ ■ Strong spring		○ Unsprung hinge	

Planning

Hinge dimensions and gap calculation based on factory setting (mounting plate spacing = 0 mm)

Front protrusion at full opening angle

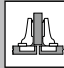
Overlay application 

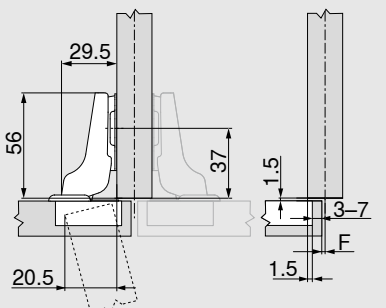


Drilling distance TB

MD	Front overlay FA (mm)							
	11	12	13	14	15	16	17	18
0				3	4	5	6	7
3	3	4	5	6	7			

MD Mounting plate spacing (mm)
F Gap


Half overlay application 

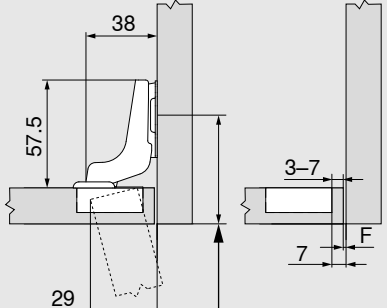


Drilling distance TB

MD	Front overlay FA (mm)							
	1.5	2.5	3.5	4.5	5.5	6.5	7.5	8.5
0				3	4	5	6	7
3	3	4	5	6	7			

MD Mounting plate spacing (mm)
F Gap

Inset application 



Move back fixing position of mounting plate by front thickness FD + 1.5 mm

Drilling distance TB

MD	Front overlay FA (mm)							
	-7	-6	-5	-4	-3	-2	-1	0
0				3	4	5	6	7
3	3	4	5	6	7			

MD Mounting plate spacing (mm)
F Gap

Planning

Minimum gap F for fronts with a front radius (R = 1 mm) based on the factory setting

	Drilling distance TB (mm)	Front thickness FD (mm)						
		16	18	19	20	21	22	24
	3	0.5	0.8	1.0	1.2	1.5	1.8	2.7
	4	0.5	0.8	1.0	1.2	1.4	1.7	2.5
	5	0.5	0.8	0.9	1.2	1.4	1.7	2.4
	6	0.5	0.8	0.9	1.2	1.3	1.6	2.3
	7	0.5	0.8	0.9	1.1	1.3	1.6	2.2
		Additional for +2 mm side adjustment						
		+0.3	+0.3	+0.3	+0.4	+0.4	+0.4	+0.4

Adjustment

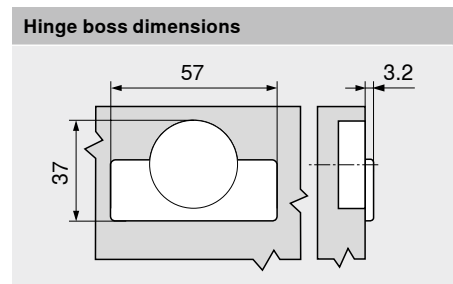
max. ± 3.0 mm	± 2.0 mm	+ 3.0 mm - 2.0 mm

Screw-on assembly

H Height	
Spacing (mm)	Height (mm)
0	8.3
3	11.3

EXPANDO fixing method

H Height	
Spacing (mm)	Height (mm)
0	8.3
3	11.3



Julius Blum GmbH
6973 Höchst, Austria
Tel.: +43 5578 705-0
Fax: +43 5578 705-44
E-mail: info@blum.com
www.blum.com

Our sites in Austria, Poland and China are certified to the international standards mentioned below.
Our site in the USA is certified to ISO 9001.
Our site in Brazil is certified to ISO 9001, ISO 14001 and ISO 45001.



ISO 9001
Certified Quality
System



ISO 14001
Certified Environmental
System



ISO 50001
Certified Energy
System

 **blum**®



Look for our
FSC™-certified
products

All content is copyrighted by Blum.
Subject to technical modifications and changes to the range without notice.
TD-152/2 EN-AL/04.25