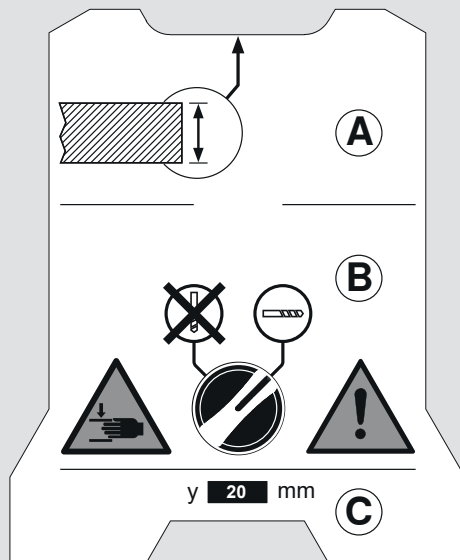
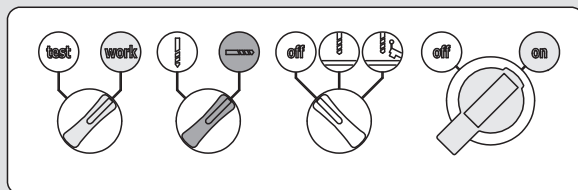


M75.22000.3NIEDH



1



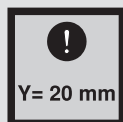
DE: Stellen Sie den Wahlschalter Bohrmodus auf Horizontal bohren.

EN: Set the drilling mode selector switch to horizontal drilling.

ES: Coloque el selector de modos de taladrado en «Taladrado horizontal»

FR: Positionner le sélecteur de mode de perçage sur Perçage horizontal.

IT: Posizionare l'interruttore modalità di foratura su foratura orizzontale.



DE: Die Ausladung (Y-Maß) darf nicht über 20 mm sein.

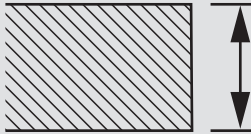
EN: The depth (Y measurement) may not be over 20 mm.

ES: La descarga (medida Y) no debe ser mayor que 20 mm.

FR: La portée (cote Y) doit être supérieure à 20 mm.

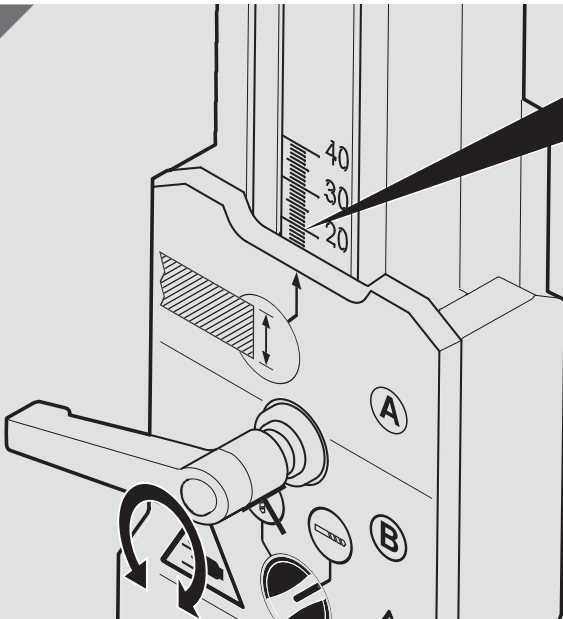
IT: Lo sbraccio (dimensione Y) non deve superare i 20 mm.

2



DE: Materialstärke
EN: Board thickness
ES: espesor del material
FR: épaisseur du panneau
IT: spessore ripiano

3



DE: Materialstärke
EN: Board thickness
ES: espesor del material
FR: épaisseur du panneau
IT: spessore ripiano

Julius Blum GmbH
6973 Höchst, Austria
Tel.: +43 5578 705-0
Fax: +43 5578 705-44
E-mail: info@blum.com
www.blum.com

Our sites in Austria, Poland and China are certified
to the international standards mentioned below.
Our site in the USA is certified to ISO 9001.
Our site in Brazil is certified to ISO 9001 and ISO 14001.



ISO 9001
Certified Quality
System



ISO 14001
Certified Environmental
System



ISO 50001
Certified Energy
System

blum®



Look for our
FSC™-certified
products

BAU2461430952 · IDX: 02 · IDNR: 07096838 · BZ-074/1ML · 09.24 · © Copyright by Blum