
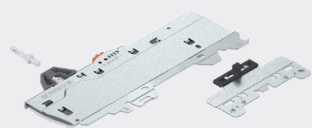


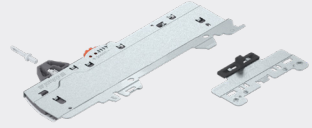
**TIP-ON BLUMOTION for MERIVOBX Cabinet Profile**



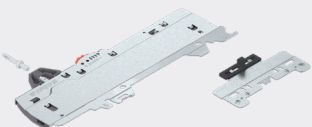
**TIP-ON BLUMOTION Units and Triggers**



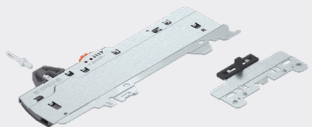
**S1 – Light gray (270)**



**L1 – Light gray (350 — 550)**



**L3 – Dust gray (350 — 550)**



**L5 – Black (450 — 600)**

**Optimal Opening and Closing Function**

Can be used for actual cabinet profile length	Unit	Total weight of drawer, when loaded						
		<22 lb	44 lb	66 lb	88 lb	110 lb	132 lb	155 lb
270	S1	0 - 44 lb						
350 — 550	L1	0 - 44 lb						
350 — 550	L3			44 - 88 lb				
450 — 600	L5					88 - 155 lb		

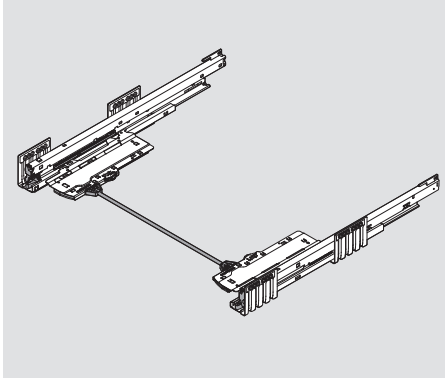


**Precise front gap adjustment**  
 The front gap template can be used to precisely and conveniently adjust the front gap to 2.5.



**Simple, tool-free assembly**  
 The TIP-ON BLUMOTION unit can be assembled tool-free. Once aligned, the mechanism snaps in place.

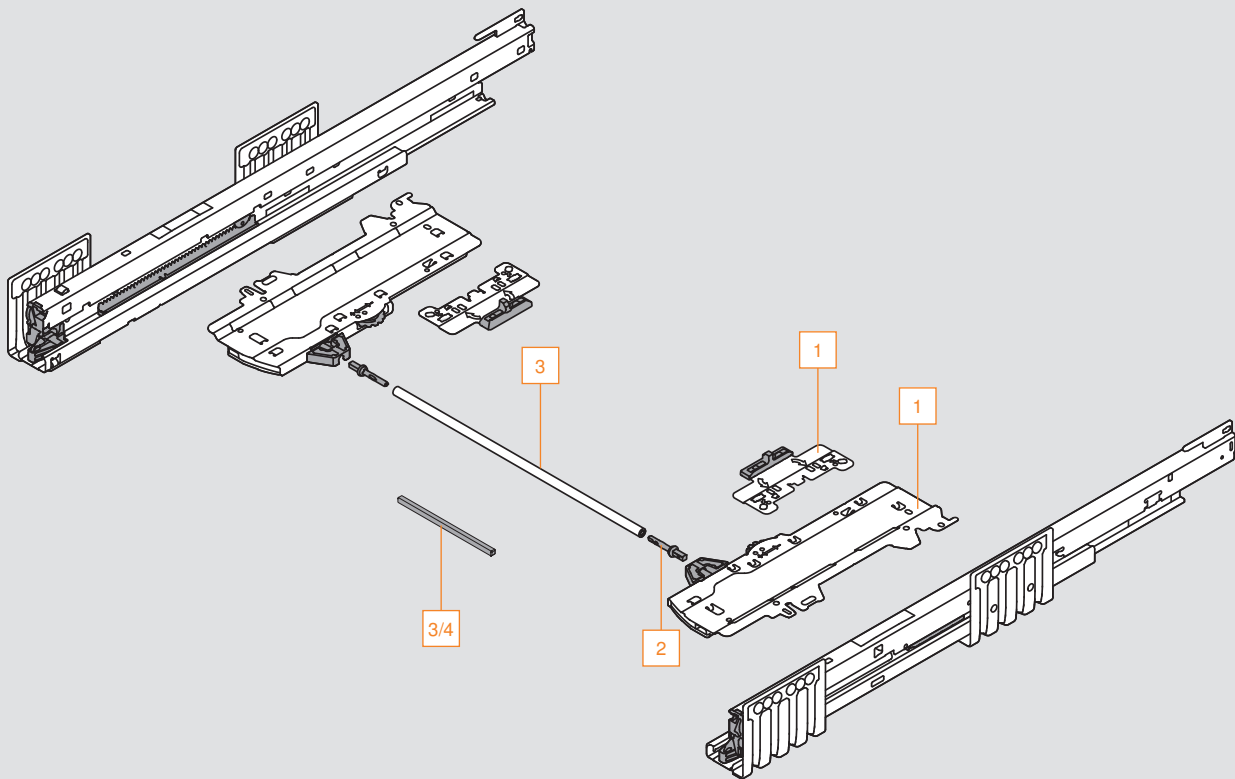
### Application or Product



### Description

- TIP-ON BLUMOTION for MERIVOBX uses standard MERIVOBX installation dimensions
- Enables MERIVOBX drawers to be opened with just a light touch of the drawer front
- Small minimum front gap of just 2.5
- Extensive trigger range
- Fully mechanical motion
- Synchronization available and recommended for all applications.
- 4-dimensional front adjustment option
- Smooth running action

### Components

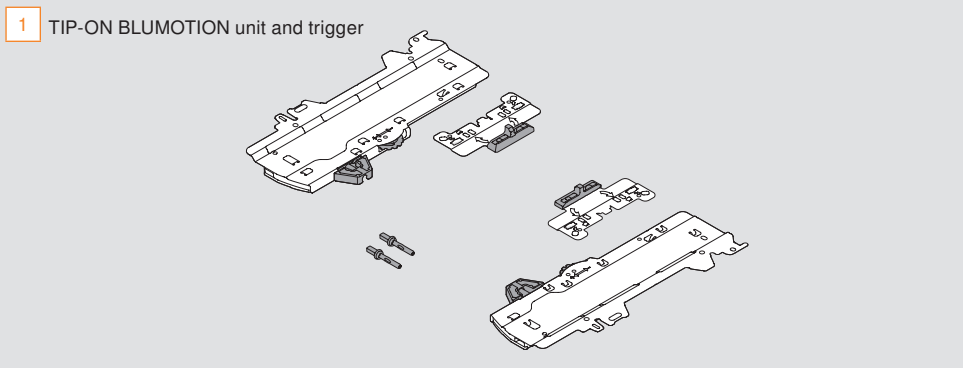


**NOTE:** Parts identified on the next page

**i** Choose cabinet and drawer profile before selecting TIP-ON BLUMOTION unit and trigger.

**TIP-ON BLUMOTION for MERIVOBX**

- Sets include:**
- Left and right TIP-ON units and triggers
  - Two synchronization adapters



Actual cabinet profile length	S1	L1	L3	L5
270 (10-5/8")	T60H4140			
350 (13-3/4")		T60H4340	T60H4540	
400 (15-3/4")		T60H4340	T60H4540	
450 (17-11/16")		T60H4340	T60H4540	T60H4570
500 (19-11/16")		T60H4340	T60H4540	T60H4570
550 (21-5/8")		T60H4340	T60H4540	T60H4570
600 (23-5/8")				T60H4570

**TIP-ON BLUMOTION synchronization**

**2**

- Symmetrical
- Color: R7035

Part no. **T60.000D**

Synchronization adapters

**3**

- Inside cabinet width:  
Minimum = **297** (11-11/16")  
Maximum = **1,368** (53-7/8")
- Length **118** (4 1/2", cut to size, ICW-250)

Part no. **T60L118W**

Synchronization rod

**NOTE:** To optimize the function and increase the trigger range, we recommend using synchronization.

**TIP-ON BLUMOTION synchronization for narrow applications**

**3/4**

- TIP-ON BLUMOTION for MERIVOBX uses standard MERIVOBX installation dimensions
- Inside cabinet width:  
Minimum = **261** (10-1/4")  
Maximum = **285** (11-1/4")
- Length **64** (2-1/2", cut to size, ICW-224)

Part no. **T60.300D.22**

Synchronization rod

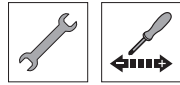
**Front assembly**

Bumpers must not be installed for TIP-ON BLUMOTION!

**TIP-ON BLUMOTION front gap template**

- Front gap FS (**2.5**)

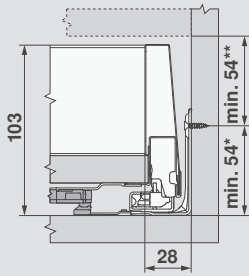
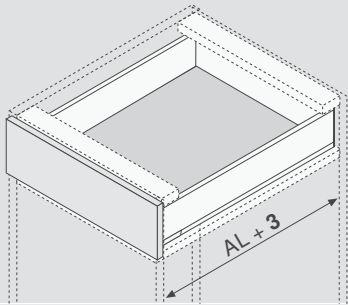
Part no. **65.5627**



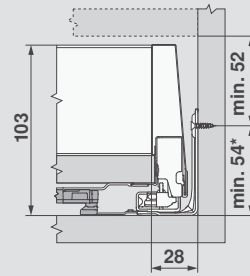
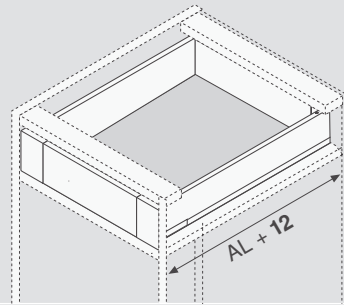
View TIP-ON BLUMOTION for MERIVOBX assembly instructions on Blum's Marketing Media Library

### Space requirements in the cabinet

#### Drawer/high fronted pull-out



#### Inner drawer/inner pull-out



\* + 1 if cabinet profiles are installed before cabinet is assembled

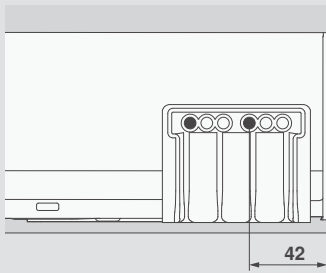
\*\* Incl. 2 tilt adjustment

**NOTE:** Latch set (Z17.0M07) cannot be used in combination with TIP-ON BLUMOTION

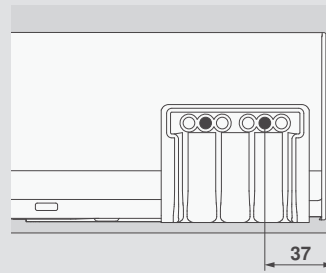
AL = Actual cabinet profile length

### Planning

#### Screw position – interior roll-out



Variant 1



Variant 2