

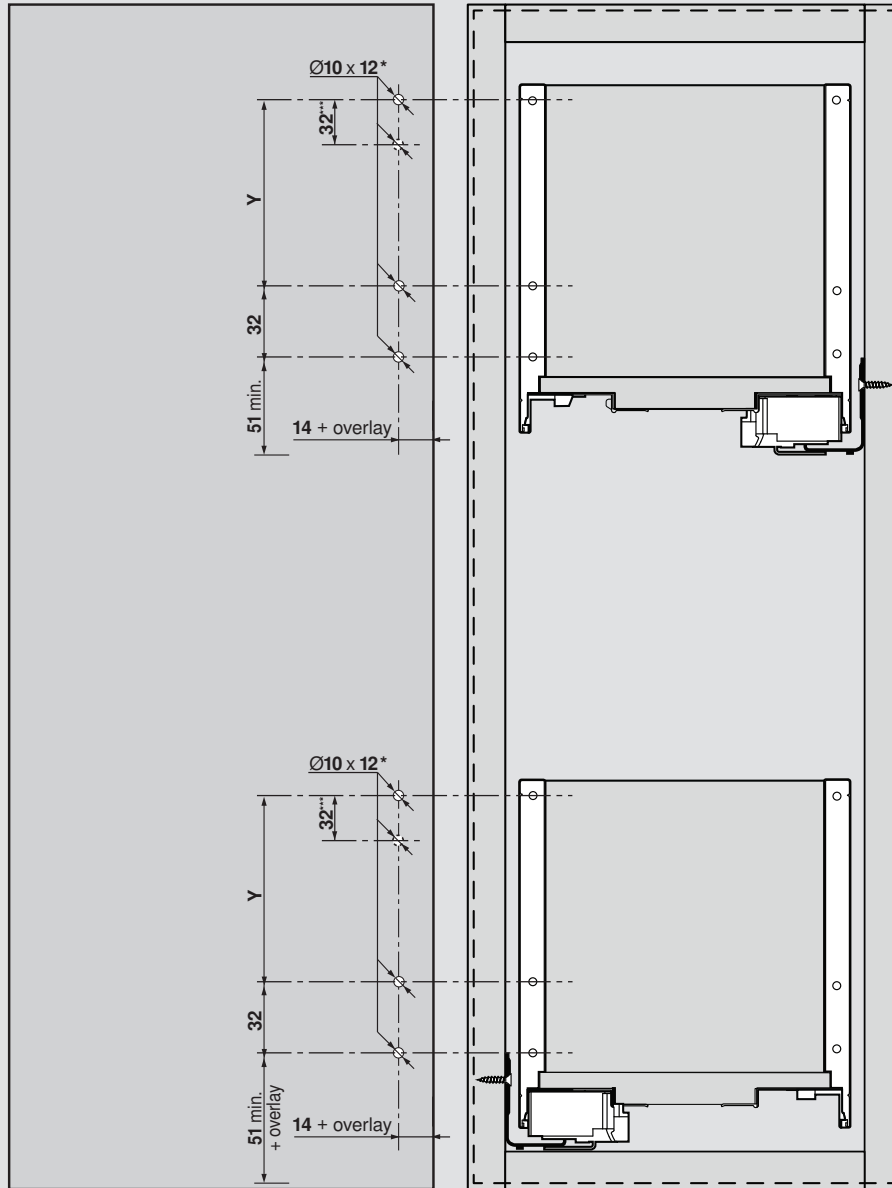
SPACE TWIN

Installation Sheet

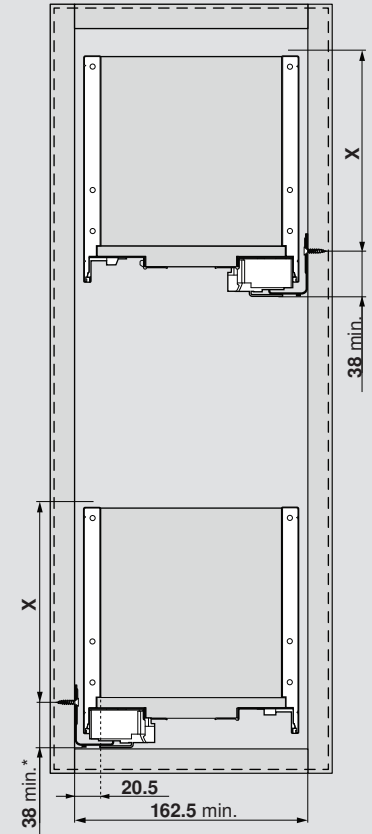


Planning

Front dimensions



Space requirements in the cabinet

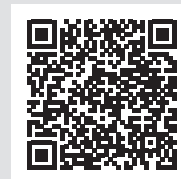


Height	Y (mm)
M	-
K	-
C	96

* + 1 mm if cabinet profile is installed before cabinet assembly

i Note

For planning and installation information for LEGRABOX components, please see the "Downloads & Videos" web page by scanning the QR code below.

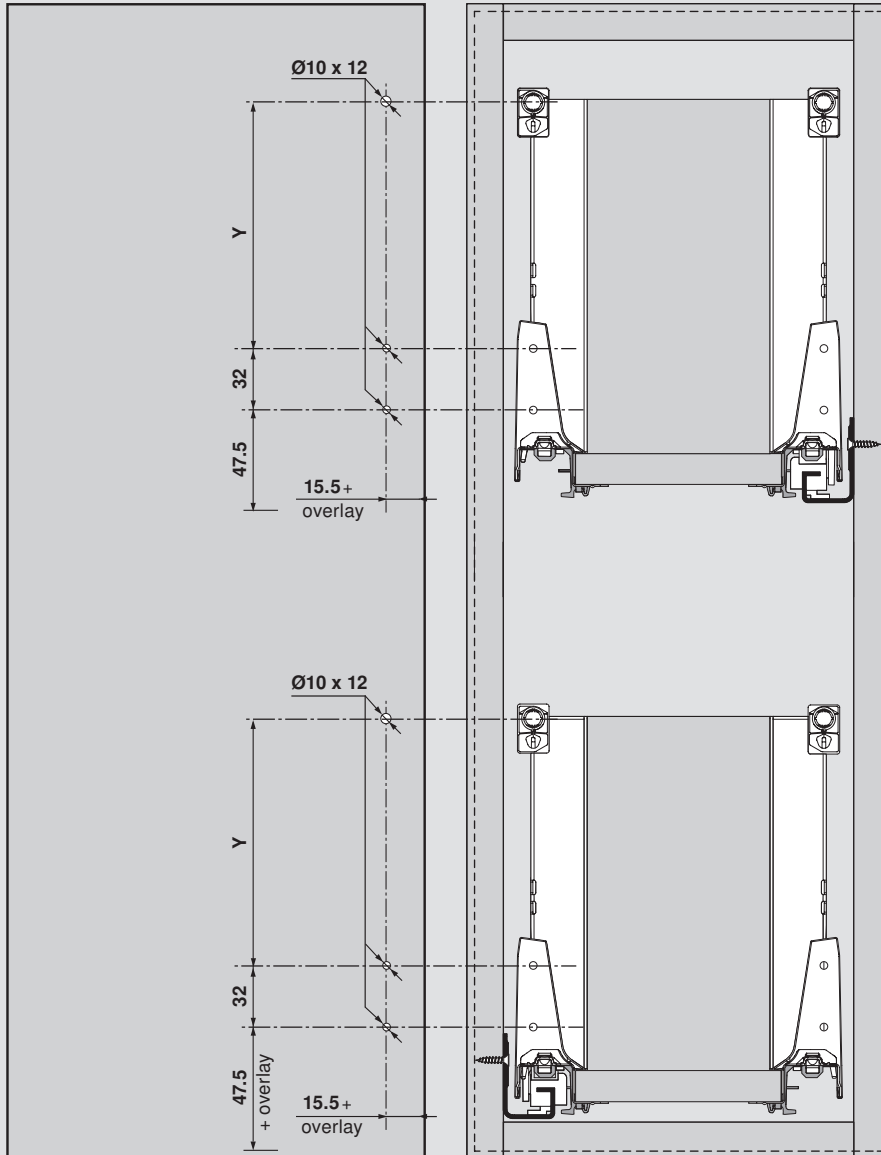


Height	X (mm)
M	68
K	106
C	155

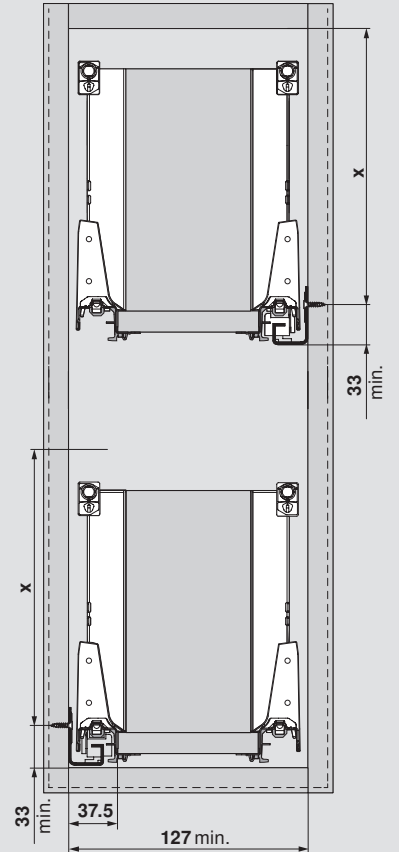
* + 1 mm if cabinet profile is installed before cabinet assembly

Planning

Front dimensions



Space requirements in the cabinet



Height	Y (mm)
M	-
D	128

i Note

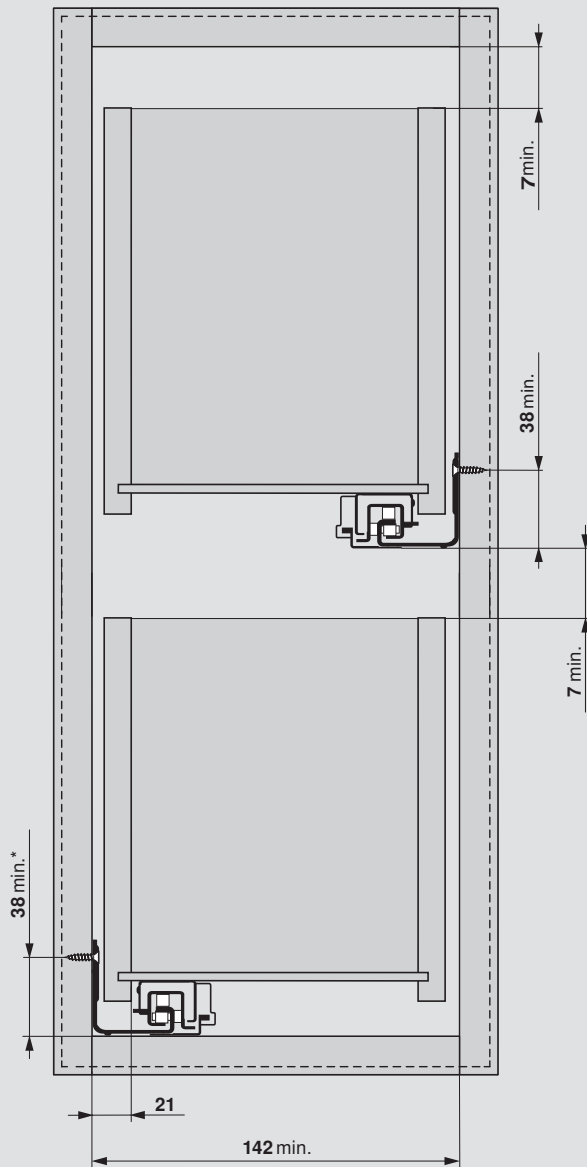
For planning and installation information for TANDEMBOX components, please see the "Downloads & Videos" web page by scanning the QR code below.



Height	X (mm)
M	65.5
D	191

Planning

Space requirements in the cabinet



* + 1 mm if cabinet profile is installed before cabinet assembly

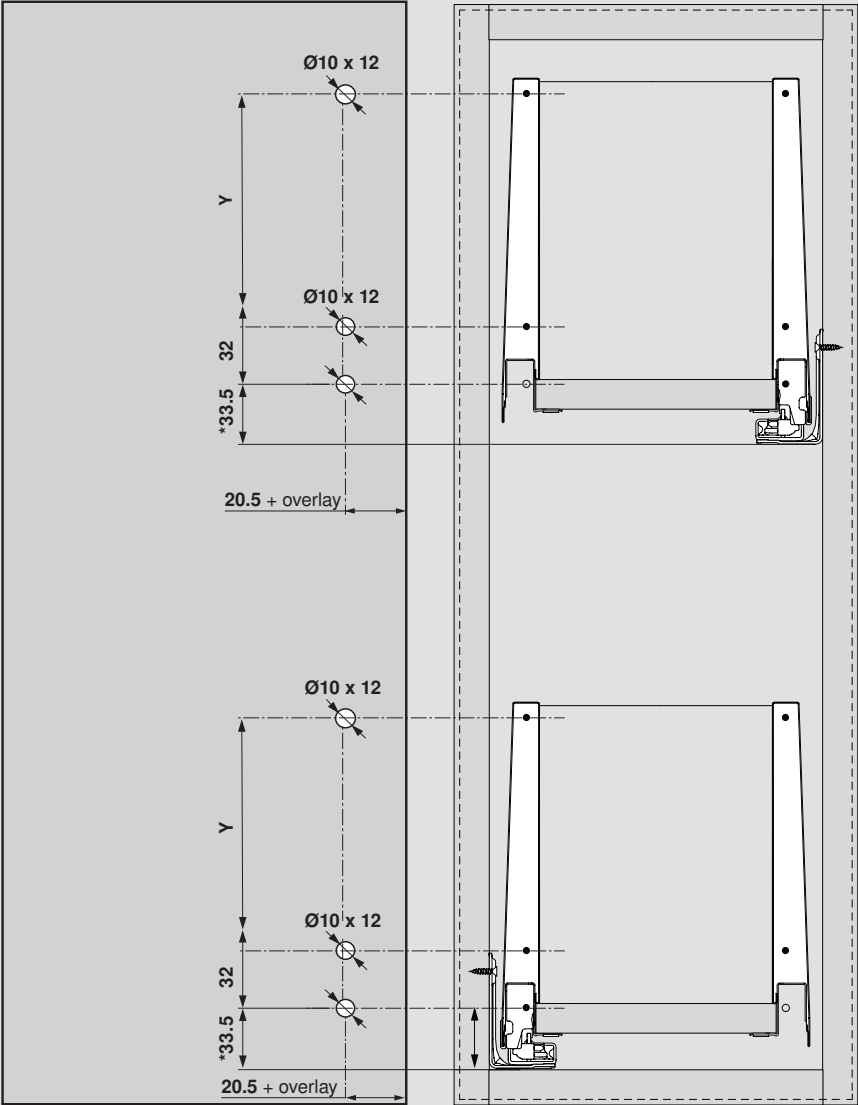
i Note

For planning and installation information for MOVENTO components, please see the "Downloads & Videos" web page by scanning the QR code below.



Planning

Front dimensions

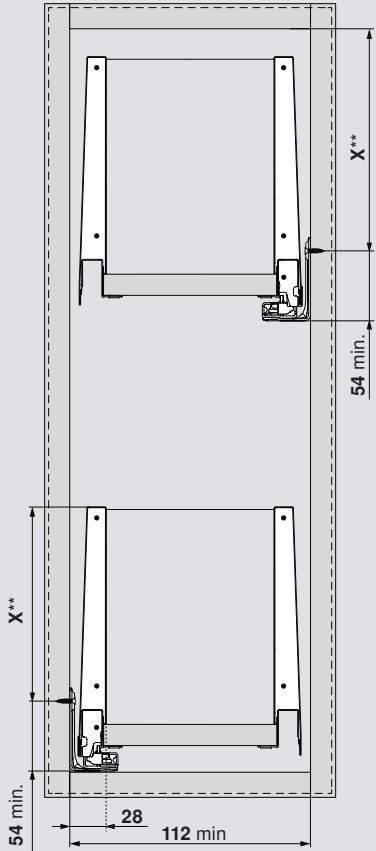


Height	X (mm)
M	54
E	155

* + 1 mm if cabinet profile is installed before cabinet assembly

**Incl. 2 mm tilt adjustment

Space requirements in the cabinet



Height	Y (mm)
M	-
E	128

* + 1 mm if cabinet profile is installed before cabinet assembly

i Note

For planning and installation information for MERIVOBX components, please see the "Downloads & Videos" web page by scanning the QR code below.

