



8-14mm

3-8mm

BLUMOTION

## It's what's inside that counts!

Three new hinges from Blum

[www.blum.com](http://www.blum.com)

 **blum**<sup>®</sup>

# If it's required, we develop it.

The needs of our customers are our greatest motivation in refining our fittings – and the reason why our range is constantly growing. Right now, for example, we are adding three new CLIP top BLUMOTION hinges to the range, containing our engineers' wealth of technical expertise. The resulting products also embody the inventive spirit that has led to Blum's unique range of functions.

 **blum**



**reddot** award 2018  
winner



➤ Detailed information  
on the awards:  
[www.blum.com/award](http://www.blum.com/award)



## Contents

- 4**    **CLIP top BLUMOTION 155°**  
The new 0-protrusion hinge
- 12**   **CLIP top BLUMOTION CRISTALLO**  
The new glass door hinge
- 20**   **CLIP top BLUMOTION**  
**for thin doors**  
The new special hinge
- 30**   Ordering and  
planning information
- 48**   Services
- 50**   Blum

**CLIP top BLUMOTION 155°:  
the new 0-protrusion hinge  
with integrated dampening**

**blum**



155°



# BLUMOTION



## Crammed full of functionality – within the smallest space

The benefits of CLIP top BLUMOTION are now also included in our new wide angle hinge with 0-protrusion. In addition to the high quality of motion, CLIP top BLUMOTION 155° has a built-in dampening function – without any increases to the installation size.

 **blum**



**Dampening on demand**

The integrated BLUMOTION feature can be deactivated for individual hinges via a simple switch to ensure that even smaller or lighter doors boast high quality of motion.



Use of the existing storage space in the wardrobe is optimised, while the large opening angle makes access particularly convenient.

With its INSERTA boss fixing, CLIP top BLUMOTION 155° also guarantees straightforward tool-free assembly.



**Versatile:  
CLIP top BLUMOTION  
with 0-protrusion**

 **blum**






The new CLIP top BLUMOTION 155° hinge in colour variant onyx black blends stylishly with dark furniture, especially with its low installation size.



CLIP top BLUMOTION 125° is an ideal solution for thick doors. The BLUMOTION function is now integrated directly into the hinge arm.

# The usual convenience: CLIP top BLUMOTION 155° assembly

 blum®



The INSERTA mechanism with self-closing makes it possible to fix the boss in place without tools – and ensures flush fitting. The drilling pattern for the new CLIP top BLUMOTION hinge remains unchanged from previous versions.





### **Tried-and-tested CLIP assembly**

The CLIP mechanism has proven itself a million times over in the past; it ensures that the wide angle hinge can be installed in cabinets quickly, with ease, and without tools.



### **Three-dimensional adjustment**

The new 155°-hinge features a simple side and height adjustment, as well as infinitely variable depth adjustment, so it matches the high standard of the existing CLIP top BLUMOTION hinges with which people are familiar.



### **Suitable boss cover caps**

Suitable boss cover caps are now available for CLIP top BLUMOTION 155° – and are also available in dark colour variant onyx black.



**CLIP top BLUMOTION CRISTALLO:  
the new glass door hinge with  
integrated dampening**

**blum**

3-8 mm

BLUMOTION



# Makes a strong impression – every time

CLIP top BLUMOTION CRISTALLO is a combination of elegant design, innovative technology and high quality of motion. The BLUMOTION function comes built into this new hinge for glass and mirror doors. The hinge achieves a unique level of stability, ensuring it meets the toughest of requirements.

blum®



## Dampening on demand

The integrated BLUMOTION feature can be deactivated for individual hinges via a simple switch to ensure that even smaller or lighter doors boast high quality of motion.





BLUMOTION for a silent and effortless closing action – for glass and mirror doors – is installed in the hinge arm with CLIP top BLUMOTION CRISTALLO. Its linear design ensures the new hinge blends discreetly into furniture such as glass display cabinets.



**Versatile:**  
**CLIP top BLUMOTION CRISTALLO**

 **blum**



CLIP top BLUMOTION CRISTALLO in colour variant onyx black offers even more design possibilities for elegant-looking furniture.



With CLIP top BLUMOTION CRISTALLO, front overlays of up to 19 mm are possible.



# The usual convenience: CLIP top BLUMOTION CRISTALLO assembly

 **blum**



Standard fixing positions are used to fix the mounting plate in place in the cabinet, which enables the use of standard cabinets and also makes the production process more straightforward.



### **Simplified positioning**

CLIP top BLUMOTION CRISTALLO can be used in a very wide range of glass display cabinets – without glass drilling. The adhesion template helps ensure that the adhesion plate is fixed in the correct position.



### **Tool-free assembly**

Thanks to the CLIP interface, it is easy to mount the hinge on the adhesion plate.



### **Simple removal**

If necessary, the hinge can also be removed from the adhesion plate – simply unclip and you're done.

**CLIP top BLUMOTION  
for thin doors:  
The special new hinge with  
integrated dampening**

**blum**

8-14 mm



# BLUMOTION



## Doors of 8 mm thickness & above made possible

CLIP top BLUMOTION for thin doors gives you a large amount of creative leeway when designing furniture. Bring your ideas to life using a wide range of materials. Technically, the new hinge is an impressive blend of tried-and-tested Blum functionality and integrated dampening.

 blum®

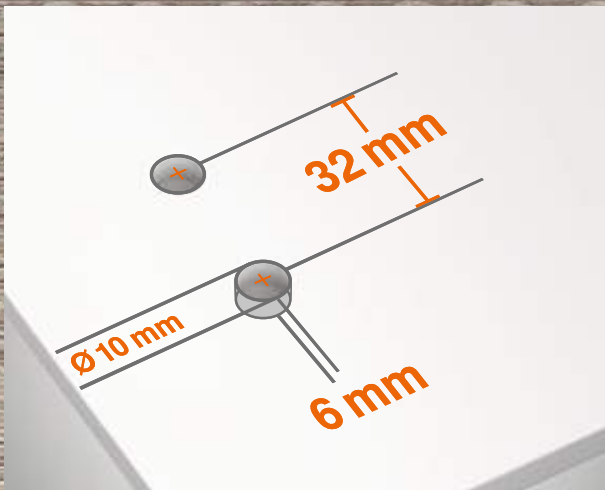


### **Dampening on demand**

The integrated BLUMOTION feature can be deactivated for individual hinges via a simple switch to ensure that even smaller or lighter doors boast high quality of motion.







**Assembly without boss drilling**

EXPANDO T is fastened in a drilling with a diameter of 10 mm and a drilling depth of just 6 mm. There is no need for any boss drilling – which is a major plus when using hard materials.

## Simple to fasten: EXPANDO T for a variety of materials

What sets CLIP top BLUMOTION for thin doors apart is the EXPANDO T split dowel, which was developed specifically for this purpose. Steel pull-in anchors ensure a firm hold in hard materials, while plastic jaws ensure the same firm hold in softer materials such as MDF and chipboard.

 **blum**



**6 mm**

# Versatile: CLIP top BLUMOTION for thin doors

 blum®



Thanks to the 0-protrusion, the CLIP top BLUMOTION hinge developed for thin doors is also suitable for cabinets with inner pull-outs, as well as for standard applications.





CLIP top BLUMOTION for thin doors promises the usual high level of Blum quality in furniture with a pared-down design: innovative technology, high-quality materials and a large amount of stability – for the life of the furniture.



CLIP top BLUMOTION for thin doors in colour variant onyx black blends in elegantly with dark furniture and goes well with a wide range of materials and colours.

The usual convenience:  
CLIP top BLUMOTION  
for thin doors assembly

 blum®





### **Simple hinge fixing**

Place the dowels in the drill holes, tighten the screws, then you're done! The new type of fixing with EXPANDO T makes furniture with thin doors easy to process.



### **Standard fixing position**

Standard fixing positions are used to fix the mounting plate in place in the cabinet, which enables the use of standard cabinets and also makes the production process more straightforward.



### **Tried-and-tested adjustment options**

Tool-free front assembly using the CLIP mechanism, you also benefit from tried-and-tested infinitely variable adjustment of the height, side and depth.



# CLIP top BLUMOTION CLIP top 155°



## Order specification

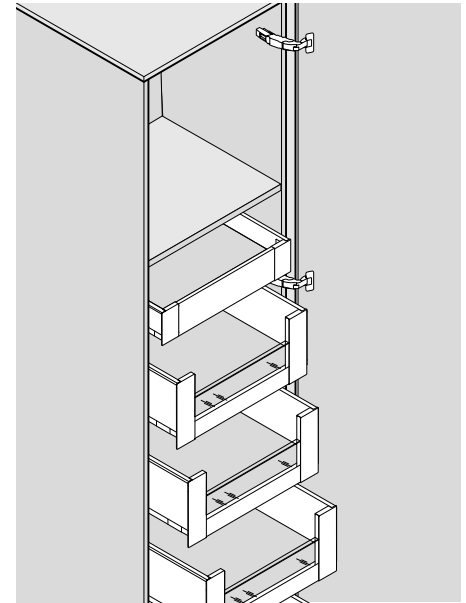
### Product



### Description

- **0-protrusion** for overlay application (for inner pull-outs or pull-out surrounds)
- **CLIP top BLUMOTION** with integrated BLUMOTION (and deactivation option)
- **CLIP top** with or without closing mechanism (spring)
- Tool-free fixing to mounting plate
- Three-dimensional adjustment
- With **INSERTA** tool-free hinge to door assembly

### Application



### Order specification

#### Overlay application

Boss		INSERTA		
Hinge	Spring	Colour	Part no	
CLIP top BLUMOTION	●	NI   ONS	71B7590	
CLIP top	●	NI	71T7590	
CLIP top	○	NI   ONS	70T7590.TL	

Boss		Screw-on		
Hinge	Spring	Colour	Part no	
CLIP top BLUMOTION	●	NI   ONS	71B7550	
CLIP top	●	NI	71T7550	
CLIP top	○	NI   ONS	70T7550.TL	

Boss		Knock-in		
Hinge	Spring	Colour	Part no	
CLIP top BLUMOTION	●	NI   ONS	71B7580	
CLIP top	●	NI	71T7580	

#### Dual application

Boss		INSERTA		
Hinge	Spring	Colour	Part no	
CLIP top BLUMOTION	●	NI   ONS	71B7690	
CLIP top	○	NI	70T7690.TL	

Boss		Screw-on		
Hinge	Spring	Colour	Part no	
CLIP top BLUMOTION	●	NI	71B7650	
CLIP top	●	NI	71T7650	
CLIP top	○	NI	70T7650.TL	

#### Legend

●	With spring	ONS	Onyx black
○	Unsprung	NI	Nickel plated

#### Inset application

For inset application use hinges for dual application and a 9 mm spaced mounting plate

### Note

A trial application is recommended when combining CLIP top BLUMOTION and CLIP top hinges with springs on small light fronts up to approx. 300 mm wide. Combining these is not recommended for wider fronts.

### Accessories – general

Hinge boss cover cap			
Hinge	Colour	Part no	
CLIP top BLUMOTION	NI   ONS	70T7504	
CLIP top	NI   ONS	70T7504	

Hinge arm cover cap			
Print/stamp	Type	Colour	Part no
Plain	–	NI   ONS	70.4503
Stamped	Blum	NI	70.4503.BP

Opening angle stop		
Opening angle	Colour	Part no
92°	Dark grey	70T7553.09
110°	RAL 7037 dust grey	70T7553

Insertion ram		
Material	Colour	Part no
Plastic	Orange	MZM.0040

Chipboard screw		
Ø (mm)	Length (mm)	Part no
3.5	15	609.1500
3.5	17	609.1700



**CLIP top BLUMOTION**  
**CLIP top 155°**

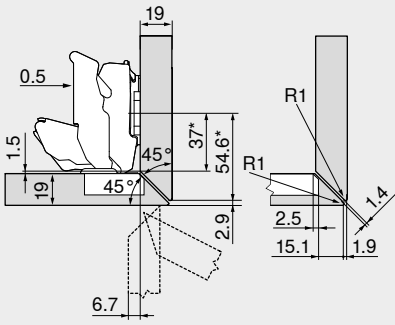


**Planning**  
**Special application**

**Mitred application – all four edges**



**19 mm**

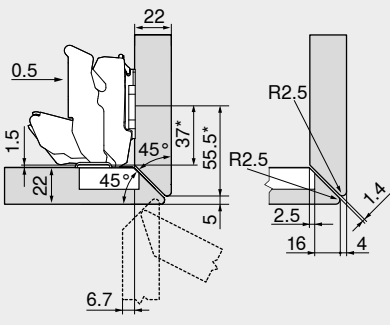


**Hinge for dual applications**

Standard mounting plates with 0 mm spacing

\* Dimension for mounting plate with dimension A = 37 mm

**22 mm**

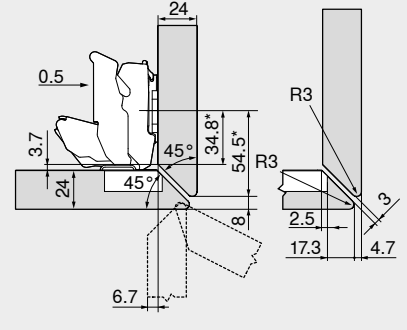


**Hinge for dual applications**

Standard mounting plates with 0 mm spacing

\* Dimension for mounting plate with dimension A = 37 mm

**24 mm**



**Hinge for dual applications**

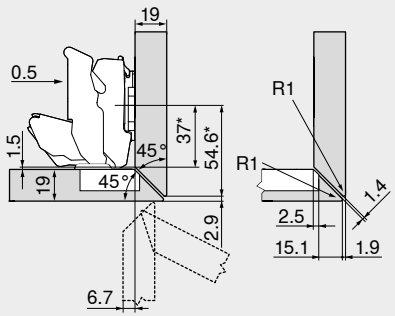
Standard mounting plates with 0 mm spacing

\* Dimension for mounting plate with dimension A = 37 mm

**Mitred application – side**



**19 mm**

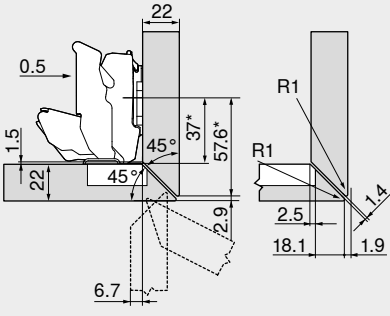


**Hinge for dual applications**

Standard mounting plates with 0 mm spacing

\* Dimension for mounting plate with dimension A = 37 mm

**22 mm**

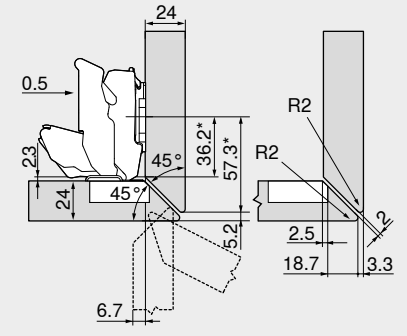


**Hinge for dual applications**

Standard mounting plates with 0 mm spacing

\* Dimension for mounting plate with dimension A = 37 mm

**24 mm**



**Hinge for dual applications**

Standard mounting plates with 0 mm spacing

\* Dimension for mounting plate with dimension A = 37 mm



## Planning Special application

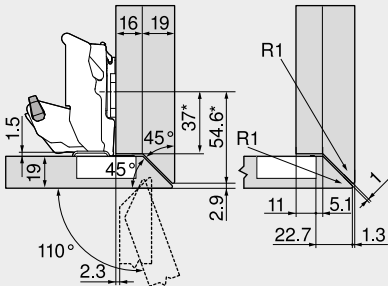
## CLIP top BLUMOTION CLIP top 155°



### Mitred application – side, with large overlay



#### 16/19 mm



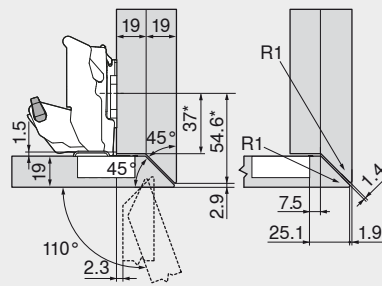
#### Hinge for overlay applications

Standard mounting plates with 0 mm spacing

\* Dimension for mounting plate with dimension A = 37 mm

Description	Angled	Part no
110° opening angle stop		70T7553

#### 19/19 mm



#### Hinge for overlay applications

Standard mounting plates with 0 mm spacing

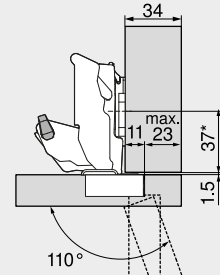
\* Dimension for mounting plate with dimension A = 37 mm

Description	Angled	Part no
110° opening angle stop		70T7553

### Front overlay max.



#### 34 mm



#### Hinge for overlay applications

Standard mounting plates with 0 mm spacing

\* Dimension for mounting plate with dimension A = 37 mm

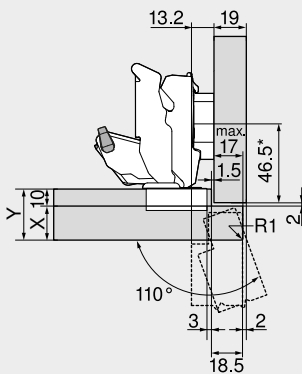
Description	Angled	Part no
110° opening angle stop		70T7553

You can select any front thickness for a free-standing cabinet.  
We recommend a trial application for a neighbouring front or an overlay application on the wall.

### Rebated applications



#### 10 mm

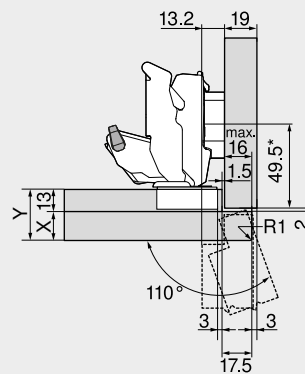


#### Hinge for dual applications

Description	Space (mm)	Part no
Mounting plate	6	175H9160
Description	Angled	Part no
Opening angle stop	110°	70T7553

Cabinet situation	X max. (mm)	Y max. (mm)
	18	28
	20	30
	25	35

#### 13 mm

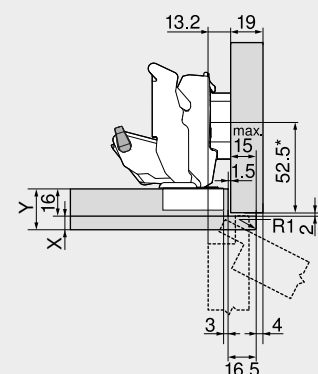


#### Hinge for dual applications

Description	Space (mm)	Part no
Mounting plate	6	175H9160
Description	Angled	Part no
Opening angle stop	110°	70T7553

Cabinet situation	X max. (mm)	Y max. (mm)
	16	29
	17	30
	17	30

#### 16 mm



#### Hinge for dual applications

Description	Space (mm)	Part no
Mounting plate	6	175H9160
Description	Angled	Part no
Opening angle stop	110°	70T7553

Cabinet situation	X max. (mm)	Y max. (mm)
	8	24
	8	24
	8	24

# CLIP top BLUMOTION CLIP top 125°



## Order specification

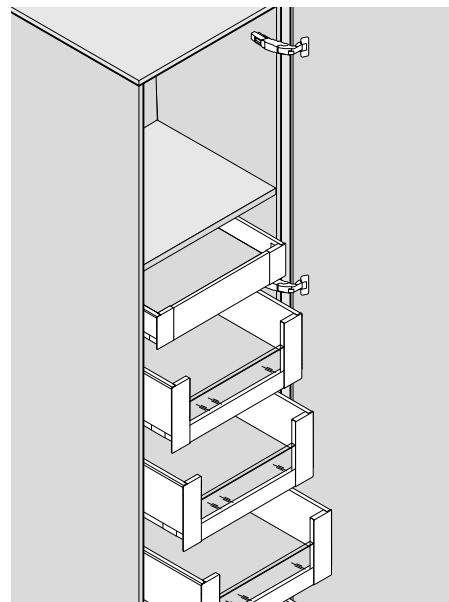
### Product



### Description

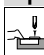
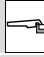
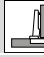
- **0-protrusion** (for inner pull-outs or pull-out surrounds)
- Hinge for thick fronts and profile/thick doors
- **CLIP top BLUMOTION** with integrated BLUMOTION (and deactivation option)
- **CLIP top** with or without closing mechanism (spring)
- Tool-free fixing to mounting plate
- Three-dimensional adjustment


### Application



### Order specification

#### Overlay application 0-protrusion hinge

 Boss	<input type="checkbox"/> Screw-on				
Hinge	Spring	Colour	Part no		
CLIP top BLUMOTION	●	NI	<b>71B7550D</b>		


 Boss	<input type="checkbox"/> Knock-in				
Hinge	Spring	Colour	Part no		
CLIP top BLUMOTION	●	NI	<b>71B7580D</b>		

### Accessories – general

 Hinge boss cover cap			
Hinge	Colour	Part no	
CLIP top BLUMOTION	NI	<b>70T7504</b>	

 Opening angle stop			
Opening angle	Colour	Part no	
92°	R7037	<b>70T7553</b>	

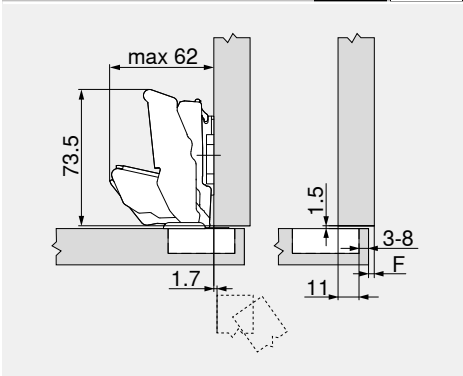
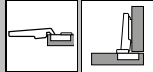
 Hinge arm cover cap			
Print/stamp	Type	Colour	Part no
Plain	–	NI	<b>70.4503</b>
Stamped	Blum	NI	<b>70.4503.BP</b>

 Chipboard screw			
Ø (mm)	Length (mm)	Part no	
3.5	15	<b>609.1500</b>	
3.5	17	<b>609.1700</b>	

Hinge dimensions and gap calculation based on factory setting (mounting plate spacing = 0 mm)

Front protrusion at 90° opening angle

Overlay application 0-protrusion hinge



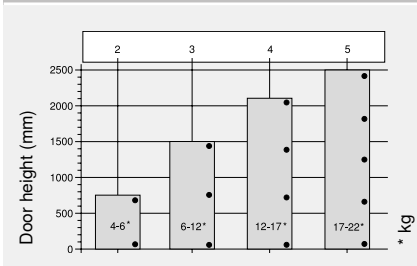
F Gap

Drilling distance

	Front overlay																		
	5	6	7	8	9	10	11	12	13	14	15	16	17	18	19				
0											3	4	5	6	7	8			
3							3	4	5	6	7	8							
6				3	4	5	6	7	8										
9	3	4	5	6	7	8													

Mounting plate

Number of Hinges



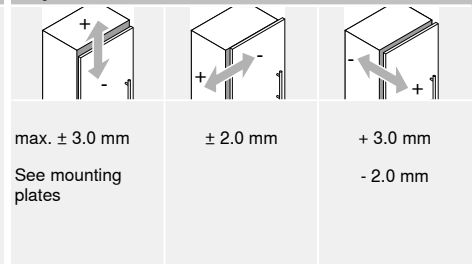
The number of hinges depends on the door height and weight. To achieve good stability, the hinge spacing distance should be as large as possible. Indications on load and height apply to a standard door width of 600 mm.

Minimum gap (F) for fronts with a front radius (R = 1 mm) based on the factory setting

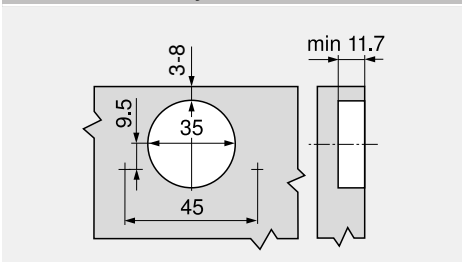
TB	Drilling distance TB	Front thickness FD (mm)												
		28	29	30	31	32	33	34	35	36	37	38	39	40
	3	0	0	0	0	0.1	0.3	0.7	1.2	2	2.8	4.1	5.7	-
	4	0	0	0	0	0.1	0.4	0.8	1.5	2.3	3.4	4.9	-	-
	5	0	0	0	0	0.1	0.4	1	1.7	2.8	4.2	-	-	-
	6	0	0	0	0	0.1	0.6	1.2	2.1	3.5	-	-	-	-
	7	0	0	0	0	0.2	0.7	1.6	2.8	-	-	-	-	-
	8	0	0	0	0	0.3	1	2	-	-	-	-	-	-

92° Opening angle stop  
We recommend a trial application for an overlay application on the wall.

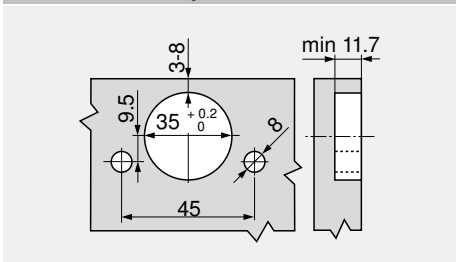
Adjustment



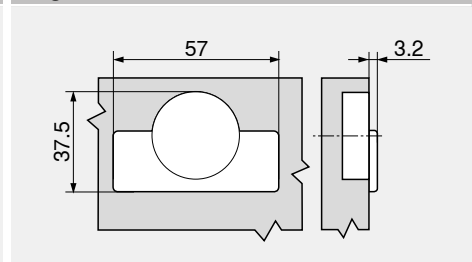
Screw-on assembly



Knock-in assembly



Hinge boss dimensions





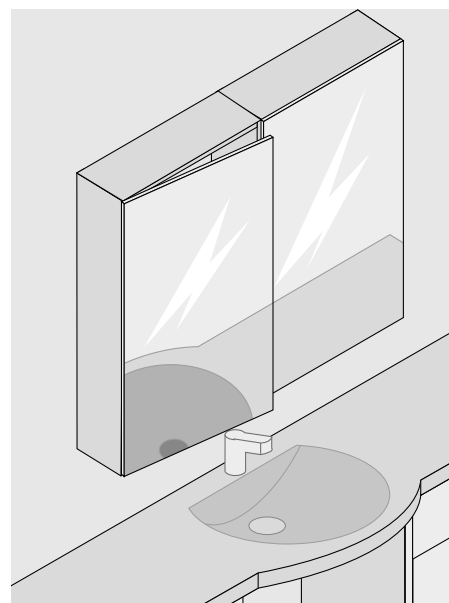
## CLIP top BLUMOTION CRISTALLO 110°



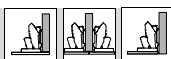
## Order specification



- Hinge for glass and mirror doors
- Adhesion plate is glued on to the front, without glass drilling
- CLIP top BLUMOTION with integrated BLUMOTION (and deactivation option)
- CLIP top with or without closing mechanism (spring)
- 0-protrusion
- Tool-free fixing to boss and mounting plate
- Three-dimensional front adjustment



### Overlay application, dual application, inset application



		<input type="checkbox"/>	CRISTALLO	
Hinge	Spring	Colour	Part no	
CLIP top BLUMOTION	●	NI   ONS	71B4500C	
CLIP top	●	NI	71T4500C	
CLIP top	○	NI	70T4500CTL	

		<input type="checkbox"/>	CRISTALLO adhesion plate	
Front material	Colour	Part no		
Glass/mirror	Matt-nickel plated	70T4568C		
Mirror	Special nickel plated	70T4568C		

		<input type="checkbox"/>	Hinge arm cover cap	
Print/stamp	Logo	Colour	Part no	
Plain	–	NI   ONS	70.4503	
Stamped	Blum	NI	70.4503.BP	

		<input type="checkbox"/>	Opening angle stop	
Opening angle	Colour	Part no		
85°	Dark grey	70T4503		
92°	RAL 7037 dust grey	70T4503.09		

Legend			
●	With spring	ONS	Onyx black
○	Unsprung	NI	Nickel plated

The different overlay applications can be achieved with the appropriate adhesion positions.

### Disclaimer of liability

If the Blum fittings are installed according to instructions and on suitable glass and mirror fronts, they will meet the requirements concerning the stability of the connection.

This is monitored through internal and external testing.

As the adhesive and/or the adhesive process are beyond our control, Blum cannot accept liability for claims arising from the failure or malfunction of this/these process/es.

It is recommended that the adhesive be applied by an experienced glass manufacturer.

Hinge dimensions and gap calculation based on factory setting (mounting plate spacing = 0 mm)

Front protrusion at 90° opening angle

Overlay application	Dual application	Inset application
A Cabinet front edge to centre of mounting plate drilling	A Cabinet front edge to centre of mounting plate drilling	A Cabinet front edge to centre of mounting plate drilling
20 mm with mounting plate A20	20 mm with mounting plate A20	21.5 mm + front thickn. FD w. mounting plate A20
37 mm with mounting plate A37	37 mm with mounting plate A37	38.5 mm + front thickn. FD w. mounting plate A37
FA Front overlay	FA Front overlay	

Distance

MD	Front overlay FA (mm)																	
	-3.5	-3	-2.5	-2	-1.5	-1	2.5	4	5.5	7	8.5	10	11.5	13	14.5	16	17.5	19
0	0	0.5	1	1.5	2	2.5	6	7.5	9	10.5	12	13.5	15	16.5	18	19.5	21	22.5
3	3	3.5	4	4.5	5	5.5	9	10.5	12	13.5	15	16.5	18	19.5	21	22.5		
6	6	6.5	7	7.5	8	8.5	12	13.5	15	16.5	18	19.5	21	22.5				
9	9	9.5	10	10.5	11	11.5	15	16.5	18	19.5	21	22.5						
MD	Mounting plate spacing (mm)																	

Due to the risk of breakage to glass and mirror doors, sufficient surrounding gaps are required (recommendation: min. 2 mm).

Adhesion plate distance

FA Front overlay	KT = FA + 3.5 mm + MD
KT Adhesion plate distance	MD Mounting plate spacing (mm)

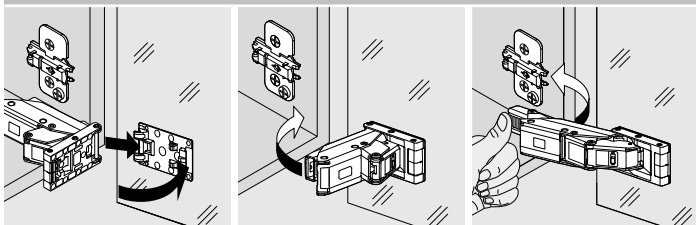
Adjustment

--	--	--

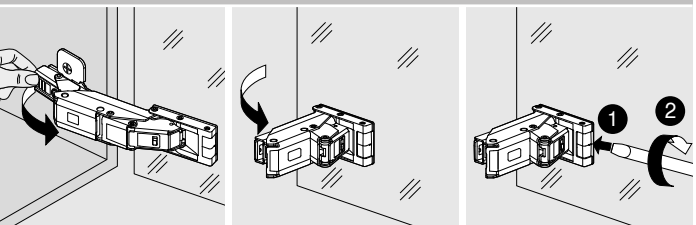
Note

Please contact your glass or front suppliers concerning the right adhesive and its use in fixing the mounting/adhesive plate on to glass and mirror doors.

Assembly



Removal



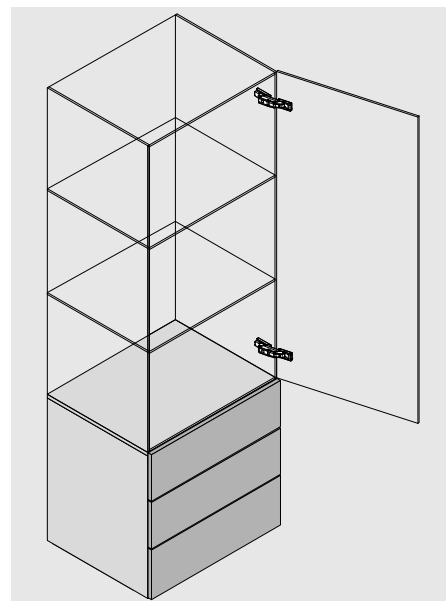
## CLIP top BLUMOTION CRISTALLO 110°



## Order specification glass display cabinets



- Hinge for glass display cabinets
- Mounting/adhesion plate is glued on to glass, no glass drilling necessary
- CLIP top BLUMOTION with integrated BLUMOTION (and deactivation option)
- CLIP top with or without closing mechanism (spring)
- Tool-free fixing to mounting and adhesion plate
- Three-dimensional front adjustment



### Inset application

		<input type="checkbox"/>	CRISTALLO	
Hinge	Spring	Colour	Part no	
CLIP top BLUMOTION	●	NI	71B4500C	
CLIP top	●	NI	71T4500C	
CLIP top	○	NI	70T4500CTL	

		<input type="checkbox"/>	CRISTALLO adhesion plate	
Front material	Colour	Part no		
Glass/mirror	Matt-nickel plated	70T4568C		
Mirror	Special nickel plated	70T4568C		

		<input type="checkbox"/>	CRISTALLO mounting plate	
Front material	Colour	Part no		
Glass/mirror	Matt-nickel plated	175M4C20N		

		<input type="checkbox"/>	Hinge arm cover cap	
Print/stamp	Logo	Colour	Part no	
Plain	-	NI	70.4503	
Stamped	Blum	NI	70.4503.BP	

		<input type="checkbox"/>	Opening angle stop	
Opening angle	Colour	Part no		
85°	Dark grey	70T4503		
92°	RAL 7037 dust grey	70T4503.09		

### Legend

●	With spring	ONS	Onyx black
○	Unsprung	NI	Nickel plated

### Disclaimer of liability

If the Blum fittings are installed according to instructions and on suitable glass and mirror fronts, they will meet the requirements concerning the stability of the connection.

This is monitored through internal and external testing.

As the adhesive and/or the adhesive process are beyond our control, Blum cannot accept liability for claims arising from the failure or malfunction of this/these process/es.

It is recommended that the adhesive be applied by an experienced glass manufacturer.



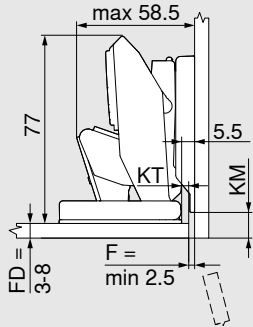
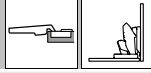
# Planning glass display cabinets

# CLIP top BLUMOTION CRISTALLO 110°



Hinge dimensions and gap calculation based on factory setting (mounting plate spacing = 0 mm)

### Inset application



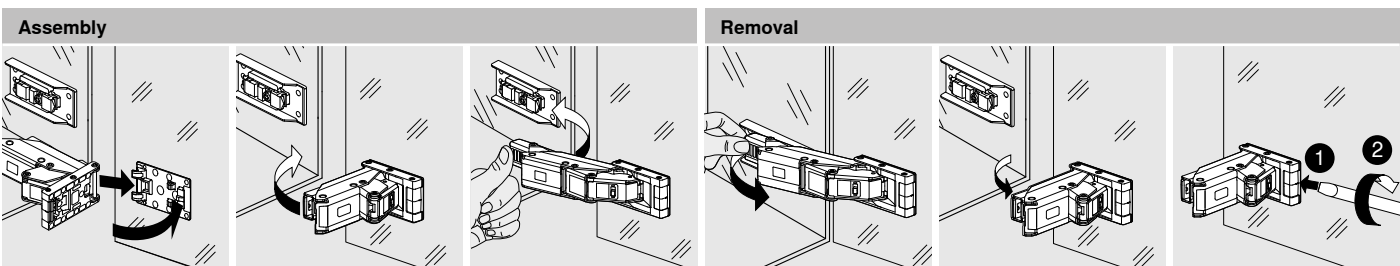
FD	Front thickness
F	Gap
KM	Mounting plate distance
KT	Adhesion plate distance

Adhesion plate distance		Mounting plate distance	
F	Gap	FD	Front thickness
KT	Adhesion plate distance	KM	Mounting plate distance
$KT = 5.5 \text{ mm} - F$		$KM = FD + 4.5 \text{ mm}$	

### Adjustment

Max. ± 2.0 mm	± 2.0 mm	+3.0 mm -2.0 mm

**Note**  
Please contact your glass or front suppliers concerning the right adhesive and its use in fixing the mounting/adhesive plate on to glass and mirror doors.



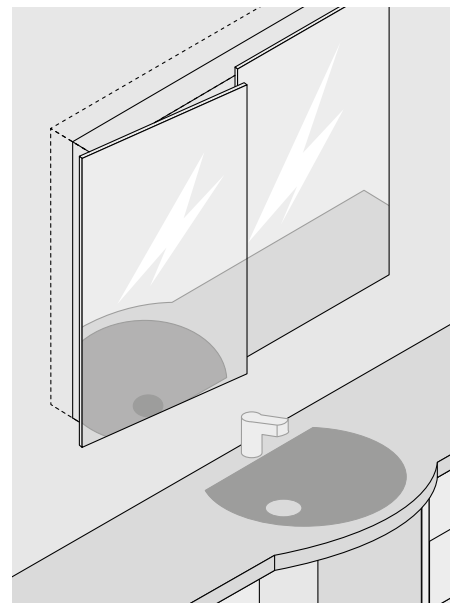
## CLIP top BLUMOTION CRISTALLO 95°



## Order specification Bathroom mirror cabinets with fronts that protrude all the way around



- Mounting plate is glued on to the front
- Boss drilling on the cabinet
- CLIP top BLUMOTION with integrated BLUMOTION (and deactivation option)
- CLIP top without closing mechanism (spring)
- Tool-free fixing to mounting plate
- Three-dimensional front adjustment
- With INSERTA tool-free hinge to door assembly



### Hinge with double cranked hinge arm

Boss Hinge	Spring	INSERTA Colour	Part no
CLIP top BLUMOTION	●	NI	71B9790

Boss Hinge	Spring	Screw-on Colour	Part no
CLIP top BLUMOTION	●	NI	71B9750
CLIP top	○	NI	70T9750.TL

Front material	Colour	CRISTALLO mounting plate	Part no
Glass/mirror	Matt-nickel plated		175M4C20N

Print/stamp	Logo	Hinge arm cover cap Colour	Part no
Plain	-	NI	70.1663
Stamped	Blum	NI	70.1663.BP

Hinge	Hinge boss cover cap	Part no
CLIP top BLUMOTION		70T3504
CLIP top		70T1504

Chipboard screw	Length (mm)	Part no
3.5	15	609.1500
3.5	17	609.1700

Legend			
●	With spring	ONS	Onyx black
○	Unsprung	NI	Nickel plated

### Disclaimer of liability

If the Blum fittings are installed according to instructions and on suitable glass and mirror fronts, they will meet the requirements concerning the stability of the connection.

This is monitored through internal and external testing.

As the adhesive and/or the adhesive process are beyond our control, Blum cannot accept liability for claims arising from the failure or malfunction of these process/es.

It is recommended that the adhesive be applied by an experienced glass manufacturer.

### Note

Only recommended for wall cabinets due to lower load bearing limits!

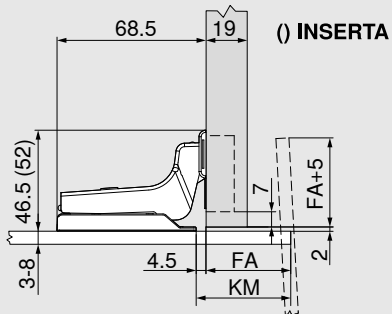
## Planning Bathroom mirror cabinets with fronts that protrude all the way around

CLIP top BLUMOTION  
CRISTALLO 95°



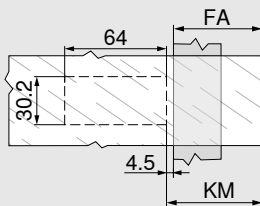
Hinge dimensions and gap calculation based on factory setting (mounting plate spacing = 0 mm)

Hinge with double cranked hinge arm



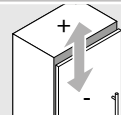
FA	Front overlay
KM	Mounting plate distance

Mounting plate distance

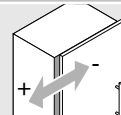


FA	Front overlay
	FA = max. 70 mm
KM	Mounting plate distance
	KM = FA + 4.5 mm

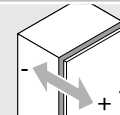
Adjustment



Max. ± 2.0 mm



+2.0 mm  
-3.0 mm

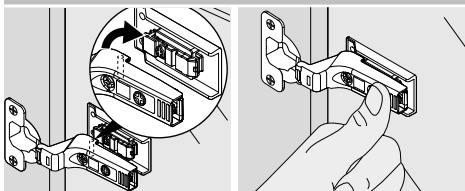


± 2.0 mm

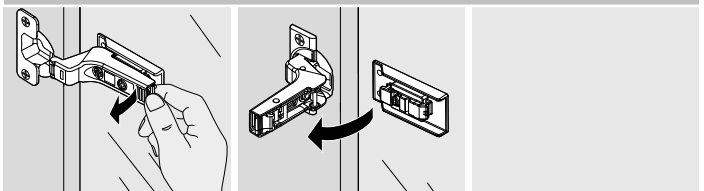
Note

Please contact your glass or front suppliers concerning the right adhesive and its use in fixing the mounting/adhesive plate on to glass and mirror doors.

Assembly



Removal





# CLIP top BLUMOTION CRISTALLO 110°



## Order specification angled application



- Hinge for glass and mirror doors
- Adhesion plate is glued on to the front, without glass drilling
- **CLIP top BLUMOTION** with integrated BLUMOTION (and deactivation option)
- **CLIP top** with or without closing mechanism (spring)
- Tool-free fixing to boss and mounting plate
- Three-dimensional front adjustment

WA	Angled -5°	WA	5°	Angled 10°	15°
	№ 106		№ 103	№ 104	№ 105
	№ 107		№ 100	№ 101	№ 102

WA angled application

CRISTALLO 110°			
Hinge	Spring	Colour	Part no
CLIP top BLUMOTION	●	NI	71B4500C
CLIP top	●	NI	71T4500C
CLIP top	○	NI	70T4500CTL

CRISTALLO adhesion plate		
Front material	Colour	Part no
Glass/mirror	Matt-nickel plated	70T4568C
Mirror	Special nickel plated	70T4568C

Hinge arm cover cap			
Print/stamp	Logo	Colour	Part no
Plain	-	NI	70.4503
Stamped	Blum	NI	70.4503.BP

### Disclaimer of liability

If the Blum fittings are installed according to instructions and on suitable glass and mirror fronts, they will meet the requirements concerning the stability of the connection.

This is monitored through internal and external testing.

As the adhesive and/or the adhesive process are beyond our control, Blum cannot accept liability for claims arising from the failure or malfunction of this/these process/es.

It is recommended that the adhesive be applied by an experienced glass manufacturer.

### Legend

● With spring	ONS Onyx black
○ Unsprung	NI Nickel plated

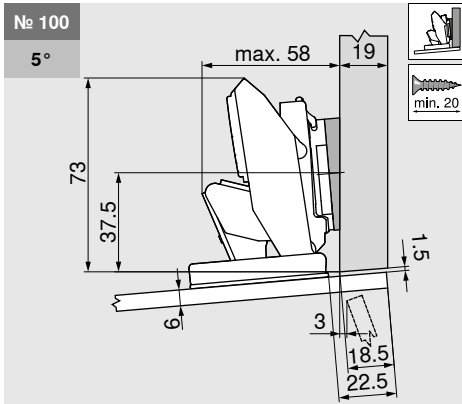
### Note

These dimensions are based on a 19 mm thick cabinet. The application changes in cases of deviation. In these cases a trial is recommended. Some applications require the mounting plate to be moved from the standard fixing positions.

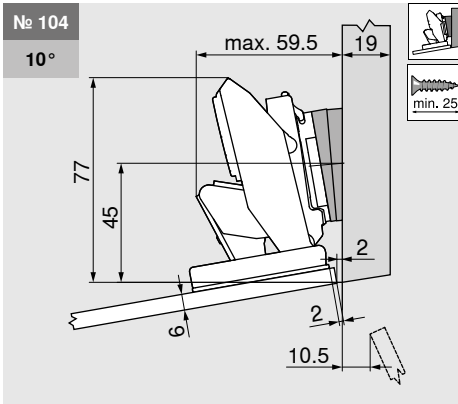
№ 106 -5°			№ 107 -5°			№ 103 5°		
Description	Space (mm)	Part no	Description	Space (mm)	Part no	Description	Space (mm)	Part no
Mounting plate	0	173H7100	Mounting plate	0	173H7100	Mounting plate	0	173H7100
Angled spacer	-5°	171A5500	Angled spacer	-5°	171A5500	Angled spacer	+5°	171A5010

## Planning angled application

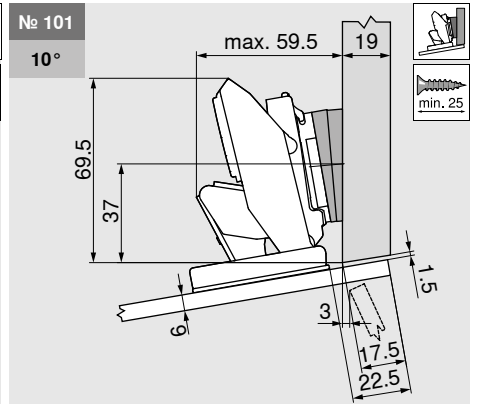
CLIP top BLUMOTION  
CRISTALLO 110°



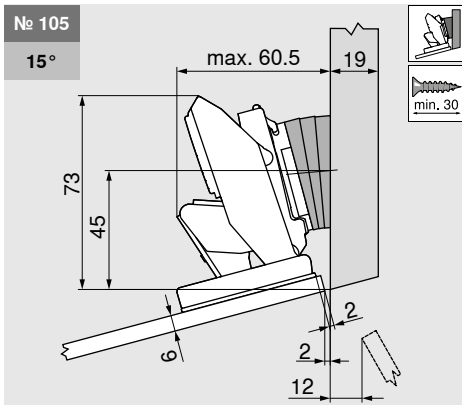
Description	Space (mm)	Part no
Mounting plate	0	173H7100
Angled spacer	+5°	171A5010



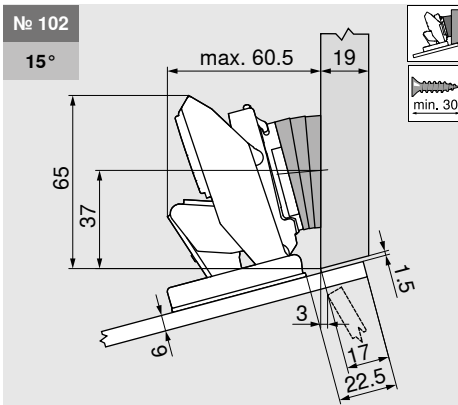
Description	Space (mm)	Part no
Mounting plate	0	173H7100
Angled spacer	+5° x 2	171A5010



Description	Space (mm)	Part no
Mounting plate	0	173H7100
Angled spacer	+5° x 2	171A5010



Description	Space (mm)	Part no
Mounting plate	0	173H7100
Angled spacer	+5° x 3	171A5010

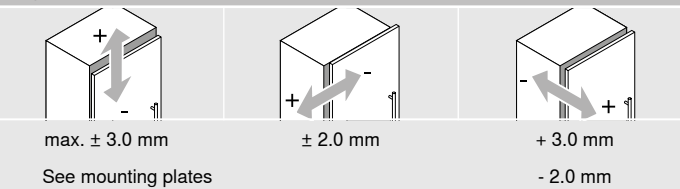


Description	Space (mm)	Part no
Mounting plate	0	173H7100
Angled spacer	+5° x 3	171A5010

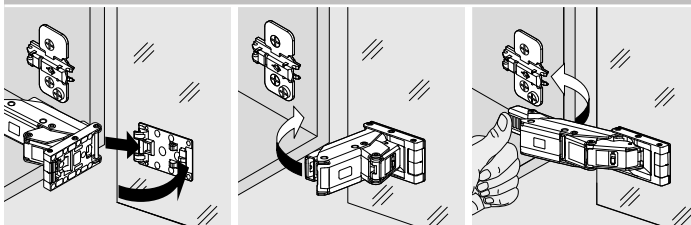
### Note

Please contact your glass or front suppliers concerning the right adhesive and its use in fixing the mounting/adhesive plate on to glass and mirror doors.

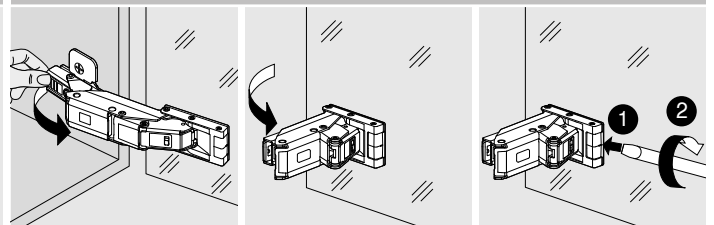
### Adjustment



### Assembly



### Removal



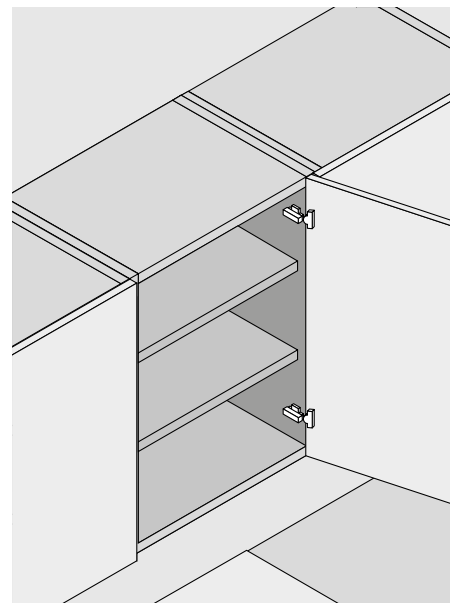
## CLIP top BLUMOTION for thin doors 110°



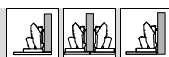
## Order specification



- Hinge for doors of 8–14 mm
- EXPANDO T fixing system for a variety of front materials
- CLIP top BLUMOTION with integrated BLUMOTION (and deactivation option)
- CLIP top with or without closing mechanism (spring)
- 0-protrusion (for inner pull-outs or pull-out surrounds)
- Tool-free fixing to mounting plate
- Three-dimensional front adjustment



### Overlay application, dual application, inset application



Boss	EXPANDO T	EXPANDO T	
		Spring	Colour
CLIP top BLUMOTION	●	NI   ONS	71B453T
CLIP top	●	NI	71T453T
CLIP top	○	NI	70T453T.TL

The different overlay applications can be achieved with the appropriate fixing position.

#### Legend

●	With spring	ONS	Onyx black
○	Unsprung	NI	Nickel plated

#### EXPANDO T area of application

EXPANDO T is suitable for fixing Blum fittings to thin front materials in furniture manufacturing. With sufficient stability and strength, front materials of 8 mm thickness and above may be used.

#### Area of application and assembly recommendation

Materials tested by Blum	Min. tightening torque (Nm)
Chipboard (transverse tensile strength > 0.4 N/mm <sup>2</sup> )	1.5
MDF (transverse tensile strength > 0.6 N/mm <sup>2</sup> )	1.5
HDF	2
HPL	2
Mineral composites	2
Nero Assoluto natural granite stone	3
Artificial stone – quartz composite	3
Ceramic plates	3

#### Accessories

Print/stamp	Logo	Hinge arm cover cap	
		Colour	Part no
Plain	–	NI   ONS	70.4503
Stamped	Blum	NI	70.4503.BP

Colour	Hinge boss cover cap	
	Colour	Part no
CLIP top BLUMOTION	NI   ONS	70T4504
CLIP top	NI	70T4504

Opening angle	Opening angle stop	
	Colour	Part no
85°	Dark grey	70T4503
92°	RAL 7037 dust grey	70T4503.09

#### Disclaimer of liability

Blum accepts no liability for the use of EXPANDO T in combination with materials not listed or fittings from other manufacturers. It is recommended that the assembly be carried out by an experienced furniture manufacturer.

#### Further information

Find out more about our new EXPANDO T fixing system for doors, lift systems and pull-outs

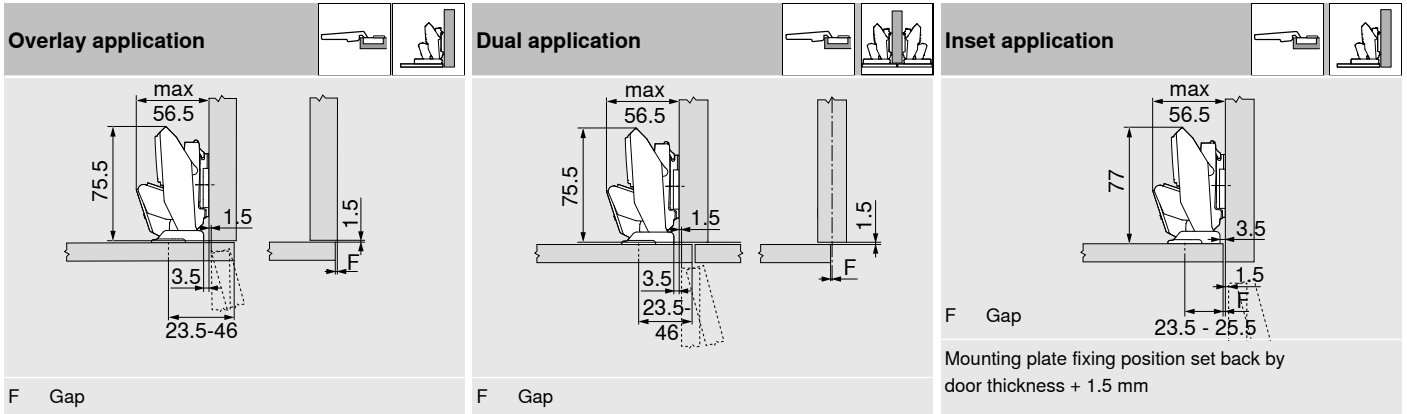


> [www.blum.com/EXPANDO\\_T\\_2](http://www.blum.com/EXPANDO_T_2)



Hinge dimensions and gap calculation based on factory setting (mounting plate spacing = 0 mm)

Front protrusion with up to 90° opening angle



**Fixing position**

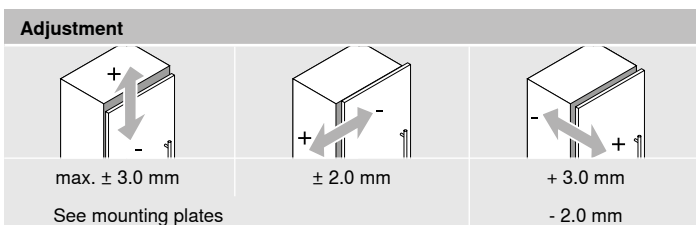
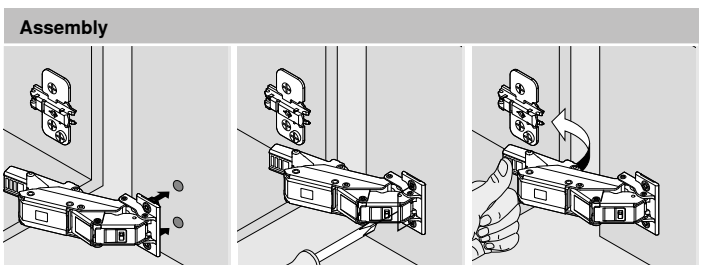
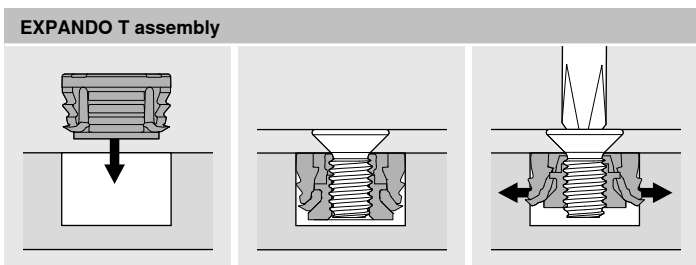
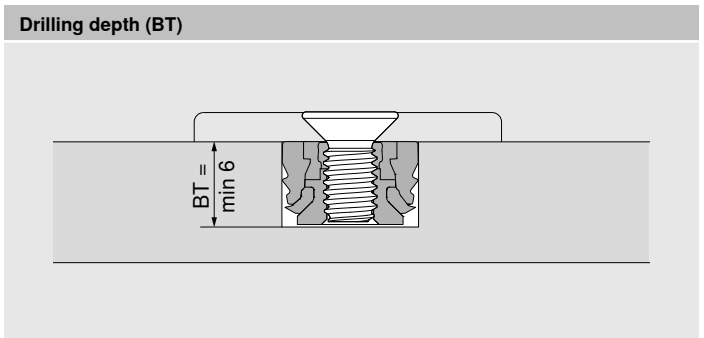
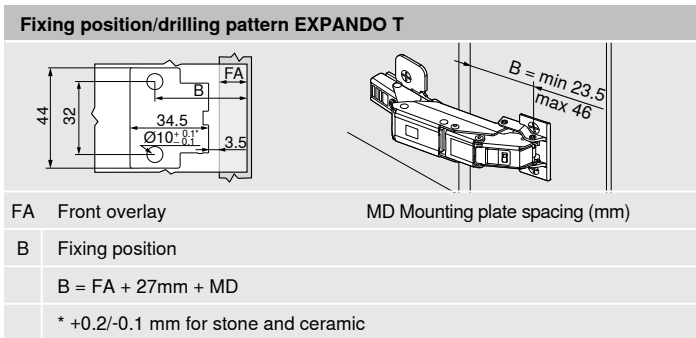
MD	Front overlay FA (mm)																	
	-3.5	-3	-2.5	-2	-1.5	-1	2.5	4	5.5	7	8.5	10	11.5	13	14.5	16	17.5	19
0	23.5	24	24.5	25	25.5	26	29.5	31	32.5	34	35.5	37	38.5	40	41.5	43	44.5	46
3	26.5	27	27.5	28	28.5	29	32.5	34	35.5	37	38.5	40	41.5	43	44.5	46		
6	29.5	30	30.5	31	31.5	32	35.5	37	38.5	40	41.5	43	44.5	46				
9	32.5	33	33.5	34	34.5	35	38.5	40	41.5	43	44.5	46						
MD	Mounting plate spacing (mm)																	

The minimum gap is always 0 mm.

**Mounting plate distance for cabinet/door thickness**

Cabinet side panel thickness (mm)	Door thickness (mm)							
	8	9	10	11	12	13	14	
15	Orange	Orange	Orange	Orange	Orange	Orange	Orange	Grey
16	Orange	Orange	Orange	Orange	Orange	Orange	Orange	Grey
17	Orange	Orange	Orange	Orange	Orange	Orange	Orange	Grey
18	Orange	Orange	Orange	Orange	Orange	Orange	Orange	Grey
19	Orange	Orange	Orange	Orange	Orange	Orange	Orange	Grey
20	Orange	Orange	Orange	Orange	Orange	Orange	Orange	Grey

MD 0 mm possible  
 MD 3 mm required  
 MD 6 mm required



## CLIP top BLUMOTION for thin doors 110°



## Order specification angled application

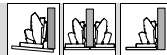


- Hinge for doors of 8–14 mm
- EXPANDO T fixing system for a variety of front materials
- CLIP top BLUMOTION with integrated BLUMOTION (and deactivation option)
- CLIP top with or without closing mechanism (spring)
- Tool-free fixing to mounting plate
- Three-dimensional front adjustment

WA	Angled	WA	Angled		
	-5°		5°	10°	15°
	№ 114		№ 115	№ 116	№ 117
	№ 110		№ 111	№ 112	№ 113

WA angled application

### Overlay application, dual application, inset application



Boss	Hinge	Spring	EXPANDO T		Part no
			Colour		
<input type="checkbox"/>	CLIP top BLUMOTION	●	NI		71B453T
<input type="checkbox"/>	CLIP top	●	NI		71T453T
<input type="checkbox"/>	CLIP top	○	NI		70T453T.TL

The different overlay applications can be achieved with the appropriate fixing position.

#### Legend

●	With spring	ONS	Onyx black
○	Unsprung	NI	Nickel plated

#### Note

These dimensions are based on a 19 mm thick cabinet. The application changes in cases of deviation. In these cases a trial is recommended. Some applications require the mounting plate to be moved from the standard fixing positions.

### Accessories

Print/stamp	Logo	Hinge arm cover cap	
		Colour	Part no
Plain	–	NI	70.4503
Stamped	Blum	NI	70.4503.BP

Hinge	Hinge boss cover cap	
	Colour	Part no
CLIP top BLUMOTION	NI	70T4504
CLIP top	NI	70T4504

### Disclaimer of liability

Blum accepts no liability for the use of EXPANDO T in combination with materials not listed or fittings from other manufacturers. It is recommended that the assembly be carried out by an experienced furniture manufacturer.

### Further information

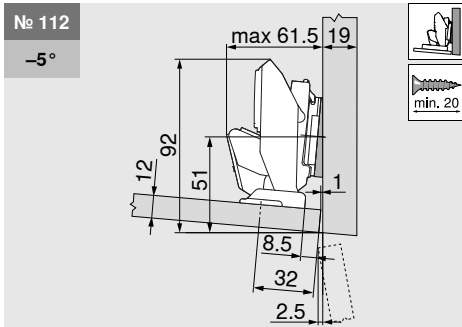
Find out more about our new EXPANDO T fixing system for doors, lift systems and pull-outs



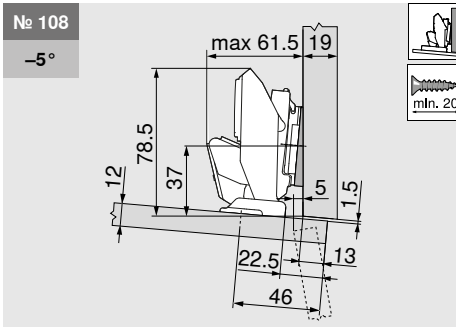
> [www.blum.com/EXPANDO\\_T\\_2](http://www.blum.com/EXPANDO_T_2)

## Planning angled application

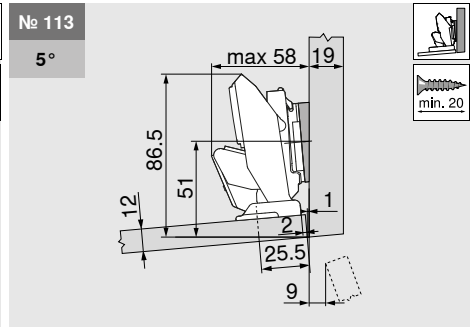
## CLIP top BLUMOTION for thin doors 110°



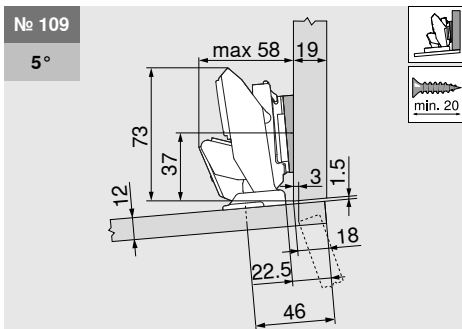
Description	Space (mm)	Part no
Mounting plate	0	173H7100
Angled spacer	-5°	171A5500



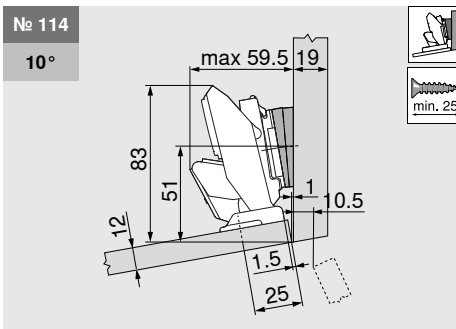
Description	Space (mm)	Part no
Mounting plate	0	173H7100
Angled spacer	-5°	171A5500



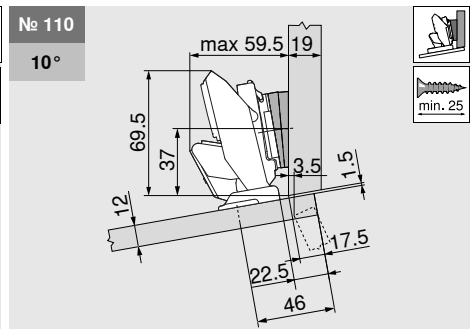
Description	Space (mm)	Part no
Mounting plate	0	173H7100
Angled spacer	+5°	171A5010



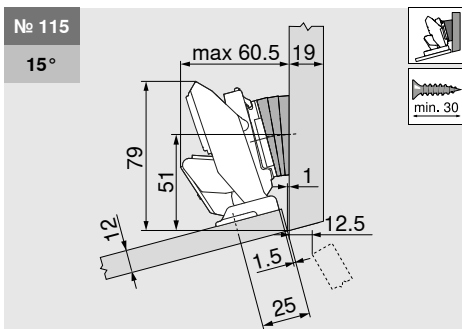
Description	Space (mm)	Part no
Mounting plate	0	173H7100
Angled spacer	+5°	171A5010



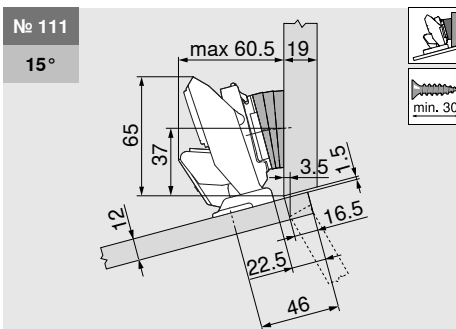
Description	Space (mm)	Part no
Mounting plate	0	173H7100
Angled spacer	+5° x 2	171A5010



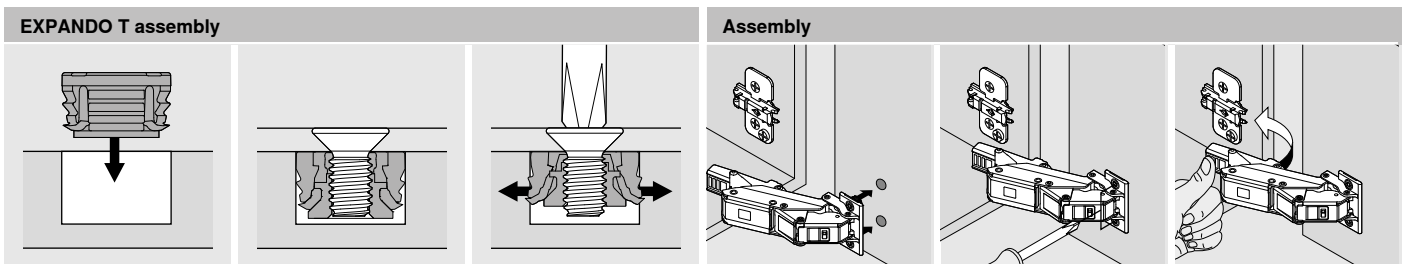
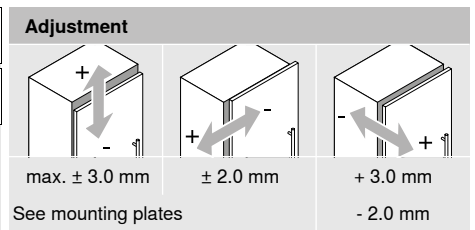
Description	Space (mm)	Part no
Mounting plate	0	173H7100
Angled spacer	+5° x 2	171A5010



Description	Space (mm)	Part no
Mounting plate	0	173H7100
Angled spacer	+5° x 3	171A5010



Description	Space (mm)	Part no
Mounting plate	0	173H7100
Angled spacer	+5° x 3	171A5010



# Digital and personal services for your everyday work practices

To provide you with the best possible support for your day-to-day tasks, we think beyond just our fitting solutions and develop the right kind of services to go with these too. Many of the services are available to you around the clock online. We would also be happy to give you personalised advice on how to bring individual furniture ideas to life using the various options.

 **blum**







#### **Product configurator**

Make use of the complete parts lists and comprehensive planning information to help you select the right Blum fittings.

**[www.blum.com/productconfigurator](http://www.blum.com/productconfigurator)**

#### **EASY ASSEMBLY app**

Make sure you have all the important information you need for precise assembly and adjustment of Blum fittings immediately to hand, using our app for smartphones and tablets.

**[www.blum.com/eaapp](http://www.blum.com/eaapp)**

#### **Personal consultation**

Have questions about our products and services? We would be happy to help you here – including on a one-to-one basis.

Go to **[www.blum.com/contact](http://www.blum.com/contact)** to find your personal BLUM contact partner.

# The company Blum

Founded over 60 years ago by Julius Blum, Blum is a family-owned company that operates on an international scale. Its strategic business segments include lift, hinge and pull-out systems. All our product developments focus on perfecting motion.

[www.blum.com](http://www.blum.com)

 **blum**





### Blum in Austria and around the world

The company has eight plants in Vorarlberg, Austria, additional production sites in Poland, the USA and Brazil and 31 subsidiaries/representative offices. Blum supplies more than 120 markets. The Blum Group employs 8,000 people in total, 6,000 of whom work in Vorarlberg.



### Global customer benefits

“Whether manufacturer, distributor, fitter or kitchen user – everybody should personally enjoy the benefits of Blum products” – that is Blum’s philosophy on global customer benefits.



### Innovations

To support customers with innovative fittings solutions and secure long-term success for the company, we need to consistently invest in research and development, in plants and facilities and in employee training. With more than 2,100 granted patents worldwide, Blum is one of Austria’s most innovative companies.



### Quality

Blum’s comprehensive concept of quality does not only apply to products. Services and collaboration with customers and partners should also meet the same quality requirements.



### Environment

At Blum, we believe that responsible ecological behaviour has long-term economic benefits. The longevity of products is just one of many important aspects. Other important measures include the use of environmentally-friendly processes, the intelligent use of materials and prudent energy management.



### DYNAMIC SPACE

Good workflows, optimum use of storage space and top quality motion are important features of a practical kitchen. Blum’s ideas for practical kitchens are designed to bring function, convenience and ergonomics to furniture interiors.



Blum South East Asia Pte. Ltd.  
150 Ubi Avenue 4  
#02-01 Ubi Biz-Hub  
Singapore 408825  
Rep. of Singapore  
Tel.: +65 6 547 1760  
Fax.: +65 6 547 1761  
E-Mail: [info.sg@blum.com](mailto:info.sg@blum.com)  
[www.blum.com](http://www.blum.com)

Julius Blum GmbH  
Furniture Fittings Mfg.  
6973 Höchst, Austria  
Tel.: +43 5578 705-0  
Fax: +43 5578 705-44  
E-mail: [info@blum.com](mailto:info@blum.com)  
[www.blum.com](http://www.blum.com)

