



## CLIP top BLUMOTION 107°

The secret's inside –  
even with a shallow boss drilling depth

[www.blum.com](http://www.blum.com)

 **blum**®



## CLIP top BLUMOTION 107° combines technology with convenience

With CLIP top BLUMOTION 107° the secret's inside: because BLUMOTION, our function for silent and effortless closing, is also integrated into the hinge boss. Familiarise yourself with the advantages of integrated BLUMOTION.

 **blum**



## Contents

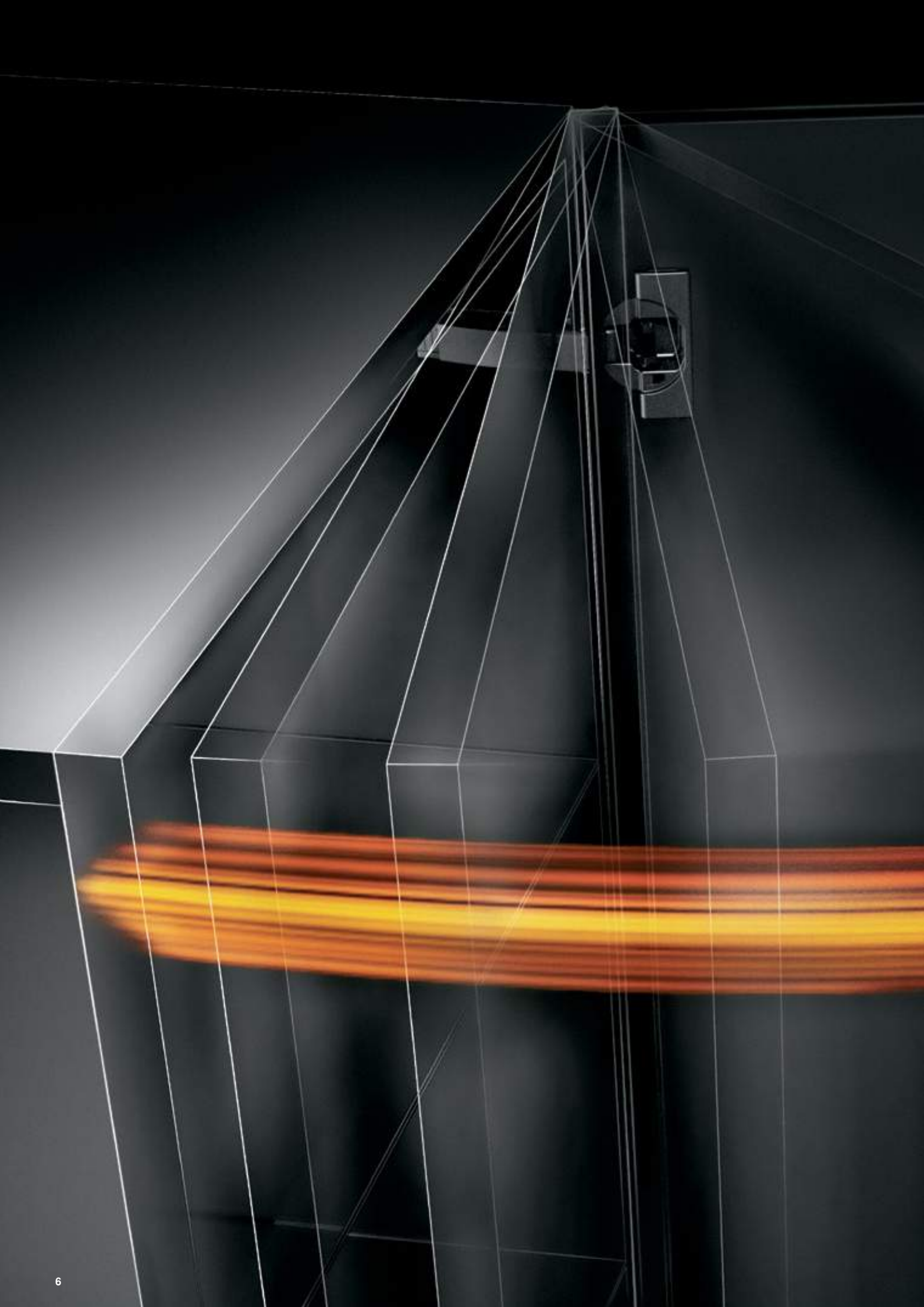
- 4** Integrated BLUMOTION
- 6** Soft and effortless closing
- 8** BLUMOTION deactivation
- 10** Shallow boss drilling depth
- 12** Elegant design
- 14** Case studies
- 16** Easy assembly
- 18** Order specifications
- 20** Assembly devices for CLIP top BLUMOTION
- 22** Blum





## Innovative technology within the smallest space

Precise movement like clockwork – integrated BLUMOTION is a technical wonder that fits into the smallest space, providing silent and effortless closing for furniture doors. CLIP top BLUMOTION 107° meets the highest quality requirements – for the whole life of the furniture.



# Inspiring perfect motion for every door

Silent and effortless, that's how furniture doors close with BLUMOTION – regardless of the front weight or the closing speed. Thanks to the perfect interplay between the closing mechanism and BLUMOTION, only the lightest touch is required for closing.

 **blum**<sup>®</sup>







## Easy deactivation

For high quality of motion with small or light doors, the BLUMOTION function can be easily deactivated on demand.

## The hinge with shallow boss drilling depth

The new CLIP top BLUMOTION 107°-hinge impresses with its low drill-hole depth of only 11.5 mm. So the hinge is even suitable for doors as thin as 15 mm.

 **blum**





11.5 mm



product  
design award



German  
Design Award

NOMINEE



## Fascinating technology beautifully packed

CLIP top BLUMOTION stands for sophisticated technology that is directly integrated in the hinge boss. The elegant product design also visually highlights the high-quality character of CLIP top BLUMOTION.

# Versatility in application

CLIP top BLUMOTION 107° opens up new possibilities in various living areas – regardless of the application.

Thanks to integrated BLUMOTION, doors close consistently, smoothly and quietly.



CLIP top BLUMOTION 107° in dual applications



CLIP top BLUMOTION 107° in inset applications



CLIP top BLUMOTION 107° with wide aluminium frames

# Assembly made easy

CLIP top BLUMOTION 107° is extremely user friendly. This brings many advantages during assembly and adjustment.

 **blum**



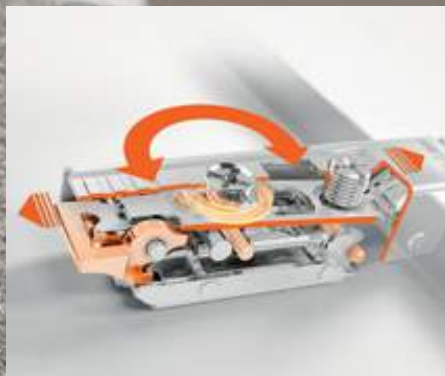




### **CLIP mechanism**

The CLIP mechanism – proven a million times over – stands for simple hinge assembly.

- for all existing CLIP mounting plates
- tool-free fastening of the hinge on the mounting plate thanks to the CLIP assembly method.



### **3-dimensional adjustment**

CLIP top BLUMOTION enables easy, 3-dimensional adjustment via infinitely variable spiral screw depth adjustment and cam height adjustment for different mounting plates.



### **Only a few steps**

As the BLUMOTION function is integrated into the hinge, no further steps are required after adjustment. BLUMOTION can be easily deactivated according to demand. To do this, simply flip the switch on the hinge boss and close the door once.

# CLIP top BLUMOTION 107°



## Order specifications

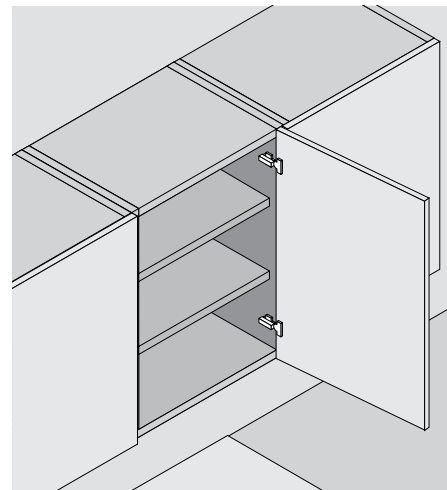
### Product



### Description

- CLIP top BLUMOTION with integrated BLUMOTION (and deactivation option)
- Drill-hole depth 11.5 mm
- Suitable for door thicknesses from 15 mm
- All-metal hinge, nickel plated
- 107° opening angle
- 3-dimensional front adjustment
- Convenient spiral-screw depth adjustment
- Tool-free front to cabinet assembly and removal

### Application



## Order specifications

Overlay application		
	Boss	Screw-on
	Hinge	Part No.
CLIP top BLUMOTION		<b>75B1550</b>

Dual application		
	Boss	Screw-on
	Hinge	Part No.
CLIP top BLUMOTION		<b>75B1650</b>

Inset application		
	Boss	Screw-on
	Hinge	Part No.
CLIP top BLUMOTION		<b>75B1750</b>

	Boss	Knock-in
	Hinge	Part No.
CLIP top BLUMOTION		<b>75B1580</b>

	Boss	Knock-in
	Hinge	Part No.
CLIP top BLUMOTION		<b>75B1680</b>

	Boss	Knock-in
	Hinge	Part No.
CLIP top BLUMOTION		<b>75B1780</b>

	Boss	EXPANDO
	Hinge	Part No.
CLIP top BLUMOTION		<b>75B158E</b>

	Boss	EXPANDO
	Hinge	Part No.
CLIP top BLUMOTION		<b>75B168E</b>

	Boss	EXPANDO
	Hinge	Part No.
CLIP top BLUMOTION		<b>75B178E</b>

Hinge arm cover cap		
	Print/Stamp	Part No.
Plain		<b>70.1503</b>
Stamped	Blum	<b>70.1503.BP</b>

Hinge arm cover cap		
	Print/Stamp	Part No.
Plain		<b>70.1663</b>
Stamped	Blum	<b>70.1663.BP</b>

Hinge arm cover cap		
	Print/Stamp	Part No.
Plain		<b>70.1663</b>
Stamped	Blum	<b>70.1663.BP</b>

Accessories			
	Hinge boss cover cap		
CLIP top BLUMOTION			<b>70T3504</b>
	86° Opening angle stop		
Plastic	Black		<b>74.1103</b>
	Hinge boss spacing		
1.5 mm	Boss	Screw-on	<b>70T3507.21</b>

Chipboard screws	
3.5 x 15 mm	<b>609.1500</b>
3.5 x 17 mm	<b>609.1700</b>

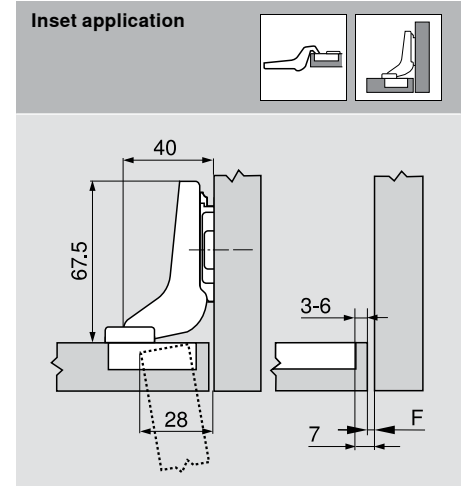
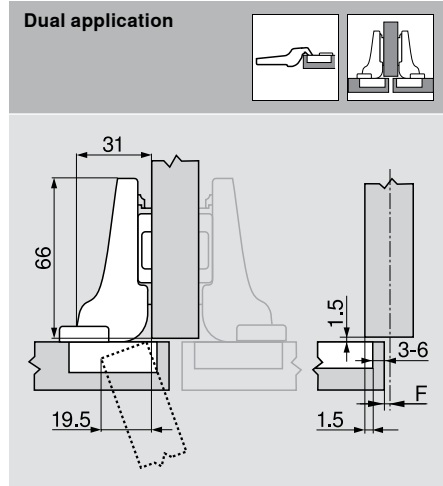
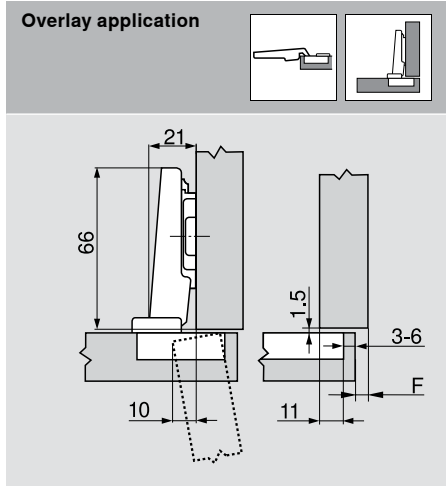
## Order specifications

## CLIP top BLUMOTION 107°



### Hinge dimensions and gap calculation based on factory setting (mounting plate spacing = 0 mm)

Door protrusion at full opening angle



F Gap

Reset fixing position of mounting plate to door thickness + 1.5 mm

### Drilling distance

	Front overlay												
	5	6	7	8	9	10	11	12	13	14	15	16	17
0										3	4	5	6
3							3	4	5	6			
6				3	4	5	6						
9	3	4	5	6									
↑	<b>Mounting plate</b>												

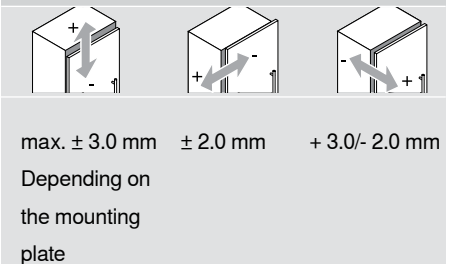
	Front overlay													
	4.5	3.5	2.5	1.5	0.5	0.5	1.5	2.5	3.5	4.5	5.5	6.5	7.5	
0											3	4	5	6
3									3	4	5	6		
6				3	4	5	6							
9	3	4	5	6										
↑	<b>Mounting plate</b>													

	Front overlay									
							-4	-3	-2	-1
0							3	4	5	6
3										
6										
9										
↑	<b>Mounting plate</b>									

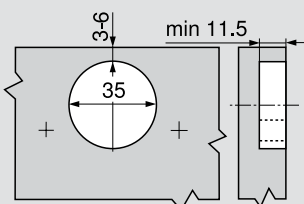
### Minimum gap (F) for fronts with a front radius (R = 1 mm) based on the factory setting

Drilling distance TB	Front thickness FD											A trial application is recommended		
	15	16	18	19	20	21	22	24	26	28	30		31	32
3	0.4	0.5	1.0	1.3	1.6	2.1	2.7	4.3						
4	0.4	0.5	0.9	1.2	1.5	2.0	2.5	3.9						
5	0.3	0.5	0.9	1.2	1.4	1.8	2.3	3.6						
6	0.3	0.5	0.8	1.1	1.4	1.7	2.2	3.3						
-														
Additional for + 2 mm side adjustment														
	+ 0.1	+ 0.1	+ 0.2	+ 0.2	+ 0.3	+ 0.3	+ 0.3	+ 0.3						

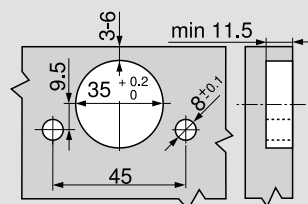
### Adjustment areas



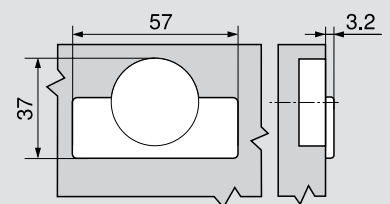
### Screw-on assembly



### Knock-in assembly



### Hinge boss dimensions



# Everything for that familiar, precise assembly

Blum assembly aids help you to assemble Blum products as efficiently and simply as possible. So making high-quality furniture becomes even more convenient and precise. For the assembly of CLIP top BLUMOTION 107°, special templates and jigs are available.



## ECODRILL

**Handy solution: precision for the Blum hinge drilling pattern**

- Hand-held tool for drilling accurate Blum hinge drilling patterns
- Hand drill required
- Drilling distance from 2 to 8 mm
- Assembly on the marking line
- Robust and compact design



### Components

1 x drilling template, 2 x dowel drill bits (Ø 8 mm), 1 x fitting drill bit (Ø 35 mm), 2 x Torx bits

Part no. **M31.1000**

## Drilling template for hinge systems

**Transferring exact fixing positions**

- Template for the transfer of measurements for hinge and mounting plate fixing positions
- Template for the transfer of measurements from door to cabinet and from cabinet to door
- Can be used with assembled and unassembled cabinets
- Adjustable stop for various front overlays
- The calibration makes it easy to adjust the template



### Components

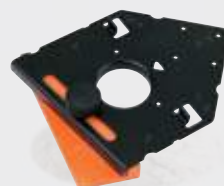
1 x 1000 mm rail, 2 x templates with marking pin, 1 x stop for unattached cabinet side

Part no. **65.7500.03**

## Drilling template for hinges

**Create, fix and precisely pre-drill all fixing positions**

- Drill the side fixing positions for hinges (Ø 8 mm or Ø 2.5 mm)
- Drilling the fixing positions for mounting plates/adaptor plates (BLUMOTION/TIP-ON for doors)
- Assembly on marking line possible



### Components

1 x drilling template for hinges (Ø 2.5 mm) for screw-on boss

Part no. **65.055A**

1 x drilling template for hinges (Ø 8 or Ø 2.5 mm) for EXPANDO and knock-in dowels, including reducing bush (Ø 8 to Ø 2.5 mm) and drilling depth stop (Ø 8 mm)

Part no. **65.059A**

## Template

### Drilling on the marking line and transferring dimensions

- Drilling the fixing positions for mounting plates/adaptor plates (BLUMOTION/TIP-ON for doors)
- Transfer of measurements from door to cabinet
- If mounting plate fixing positions are standard throughout, then it is possible to screw several templates onto a wooden strip
- Assembly on the marking line



### Components

1 x template	Part no.	65.5300*
--------------	----------	----------

## Knock-in tool for hinges/mounting plates

### Reliable hinge/mounting plate insertion

- Knock-in tool for hinges: Enables you to knock-in all CLIP top BLUMOTION, CLIP top, CLIP and MODUL hinges
- Knock-in tool for mounting plates: Enables you to knock-in horizontal and cruciform mounting plates

**i** Do not use a hammer to insert the hinge into the drill hole.



### Components

1 x knock-in tool for hinges	Part no.	ZME.0710
1 x knock-in tool for horizontal mounting plate	Part no.	ZME.0730
1 x knock-in tool for horizontal and cruciform mounting plate	Part no.	65.6100

## Insertion ram for hinges

### Blum drilling and insertion machines

- Enables you to knock-in all CLIP top BLUMOTION, CLIP top, CLIP and MODUL hinges



### Components

1 x insertion ram for hinges	Part no.	MZM.0040
------------------------------	----------	----------

# Blum

Founded over 60 years ago by Julius Blum, today Blum is an internationally active family-owned company. Its strategic business segments include lift, hinge and pull-out systems. All our product developments focus on perfecting motion.

[www.blum.com](http://www.blum.com)

 **blum**





### Blum in Austria and around the world

The company has seven plants in Vorarlberg, Austria, additional production sites in Poland, the USA and Brazil and 27 subsidiaries/representative offices. Blum supplies more than 120 markets. The Blum Group employs 6.600 people in total, 5.000 of whom work in Vorarlberg.



### Global customer benefits

"Whether manufacturer, distributor, fitter or kitchen user – everybody should personally enjoy the benefits of Blum products" – that is Blum's philosophy on global customer benefits.



### Innovations

To support customers with innovative fittings solutions and secure long-term success for the company, we need to consistently invest in research and development, in plants and facilities and in employee training. With more than 1200 registered trademarks around the world, Blum is one of Austria's most innovative companies.



### Quality

At Blum, the comprehensive concept of quality does not only apply to products. Services and our cooperation with customers and partners should also meet the same quality requirements.



### Environment

At Blum, we believe that responsible ecological behaviour has long-term economic benefits. The longevity of products is just one of many important aspects. Other important measures include the use of environmentally friendly processes, the intelligent use of materials and prudent energy management.



### DYNAMIC SPACE

Good workflows, optimum use of storage space and high quality of motion are important features of a practical kitchen. Blum's ideas for practical kitchen are designed to bring function, convenience and ergonomics to furniture interiors.



Blum South East Asia  
Pte. Ltd.; 150 Ubi Avenue 4  
#02-00 Ubi Biz-Hub  
Singapore 408825  
Rep. of Singapore  
Tel.: +65 6 547 1760  
Fax.: +65 6 547 1761  
E-Mail: [info.sg@blum.com](mailto:info.sg@blum.com)  
[www.blum.com](http://www.blum.com)

Julius Blum GmbH  
Beschlagefabrik  
6973 Hochst, Austria  
Tel.: +43 5578 705-0  
Fax: +43 5578 705-44  
E-Mail: [info@blum.com](mailto:info@blum.com)  
[www.blum.com](http://www.blum.com)

