



## CLIP top 155°

Special applications

[www.blum.com](http://www.blum.com)

 **blum**®

CLIP top 155°

blum®

Mitred applications



Notched applications



Large overlays



## Description

- All metal hinge, nickel plated
- 155° opening angle
- For special applications (e.g. mitered application, notch, max. front overlay etc.)
- Nil protrusion hinge for cabinets with inner drawers or pull-out surrounds
- With convenient spiral-tech depth adjustment
- Compatible with existing mounting plates
- With or without closing mechanism (spring)
- Tool-free door to cabinet assembly and removal
- 3-dimensional adjustment (with relevant mounting plate)
- With **INSERTA** additionally tool free boss assembly

CLIP top 155°



## Order specification

Overlay application 0-protrusion hinge			
	Boss		
	<b>INSERTA</b>		Part No.
Zinc boss with spring		<b>71T7540N01</b>	
Zinc boss unsprung		<b>70T7540NT1</b>	

Dual application			
	Boss		
	<b>INSERTA</b>		Part No.
Zinc boss with spring		<b>71T7640N01</b>	
Zinc boss unsprung		<b>70T7640NT1</b>	

Inset application			
Use hinges for a dual application and a 9 mm spaced mounting plate			

Boss Screw-on			
Zinc boss with spring		<b>71T7500N</b>	
Zinc boss unsprung		<b>70T7500NTL</b>	

Boss Screw-on			
Zinc boss with spring		<b>71T7600N</b>	
Zinc boss unsprung		<b>70T7600NTL</b>	

Boss Knock-in			
		<b>40</b>	<b>MZM.0040</b>
Zinc boss with spring			<b>71T7530N</b>

BLUMOTION 973A			
			<b>973A7000</b>

BLUMOTION 973A			
			<b>973A7000</b>

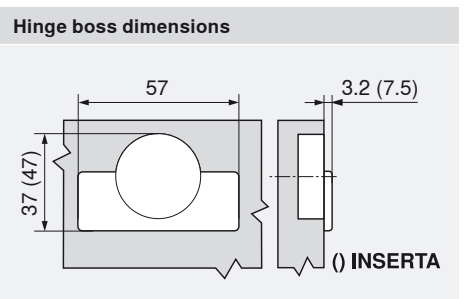
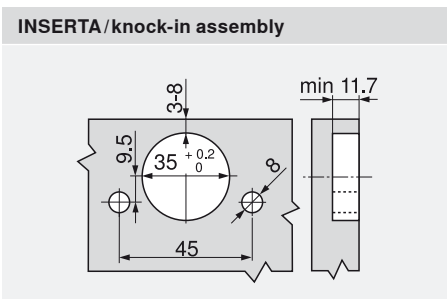
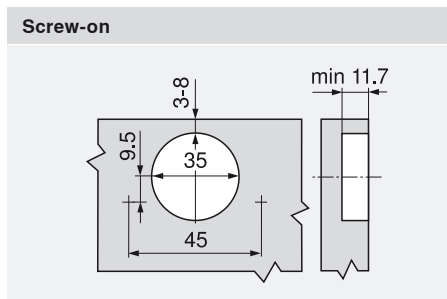
Cover caps			
Steel	Nickel plated		
Plain		<b>70.7503</b>	
Screen print		<b>70.7503.BP</b>	
No cover cap is required when using BLUMOTION 973A.			

Cover caps			
Steel	Nickel plated		
Plain		<b>70.7503</b>	
Screen print		<b>70.7503.BP</b>	
No cover cap is required when using BLUMOTION 973A.			

Accessories			
<b>Chipboard screws for hinge boss fixing</b>			
3.5 x 15 mm			<b>609.1500</b>
3.5 x 17 mm			<b>609.1700</b>

Opening angle stop 110°			
Nylon			<b>70T7503N</b>

## Planning

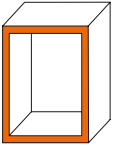


Adjustments		
max. ± 3.0 mm	± 2.0 mm	- 2.0 + 3.0 mm
see mounting plates		

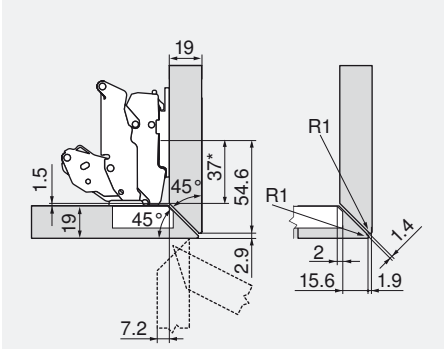
# CLIP top 155°



# Special applications



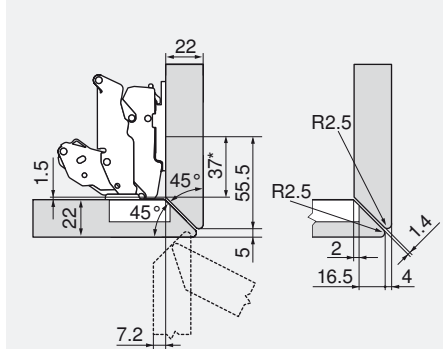
## Fully surrounded (four sided) mitred applications



Hinge for dual applications

0 mm mounting plate

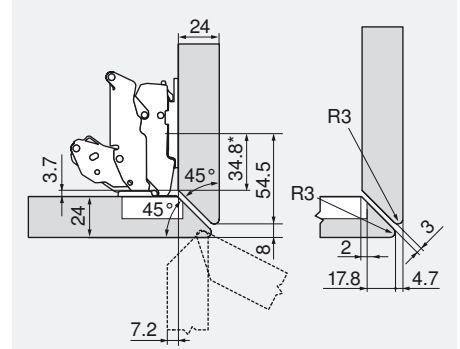
Opening angle stop



Hinge for dual applications

0 mm mounting plate

Opening angle stop

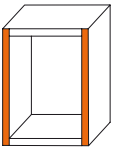


Hinge for dual applications

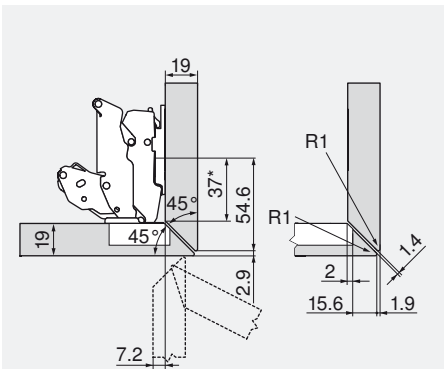
0 mm mounting plate

Opening angle stop

\* Dimension for mounting plate with dimension A = 37 mm



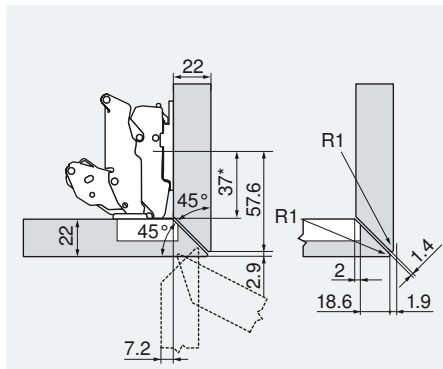
## Lateral (two sided) mitred applications



Hinge for dual applications

0 mm mounting plate

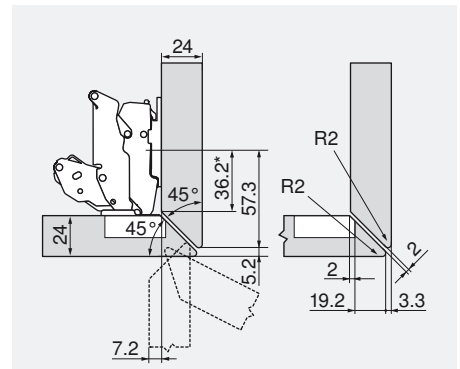
Opening angle stop



Hinge for dual applications

0 mm mounting plate

Opening angle stop



Hinge for dual applications

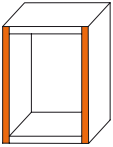
0 mm mounting plate

Opening angle stop

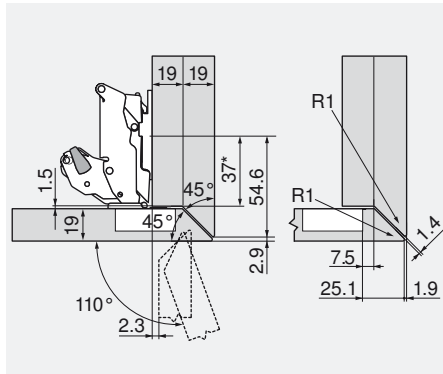
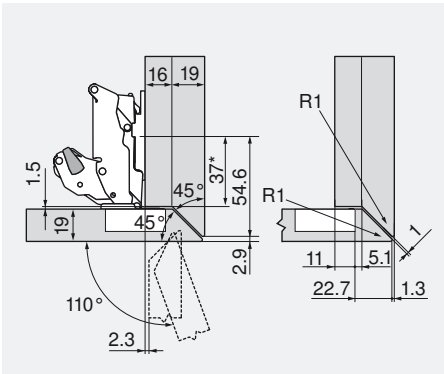
\* Dimension for mounting plate with dimension A = 37 mm

## Special applications

## CLIP top 155°



### Lateral mitred applications with large overlay



Hinge for overlay applications

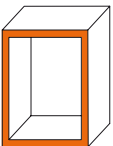
0 mm mounting plate

Opening angle stop

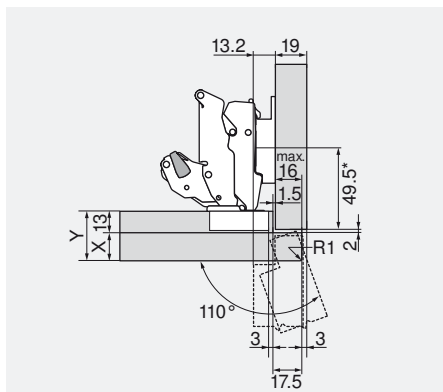
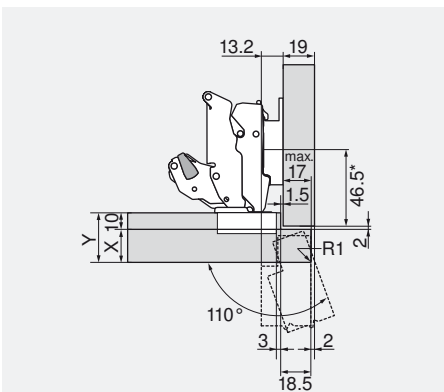
70T7503N

70T7503N

\* Dimension for mounting plate with dimension A = 37 mm



### Notched applications



Cabinet situation

X

Y



max. 18

max. 28



max. 20

max. 30



max. 25

max. 35

Hinge for dual applications

Mounting plate

175H9160

Opening angle stop

70T7503N

Cabinet situation

X

Y



max. 16

max. 29



max. 17

max. 30



max. 17

max. 30

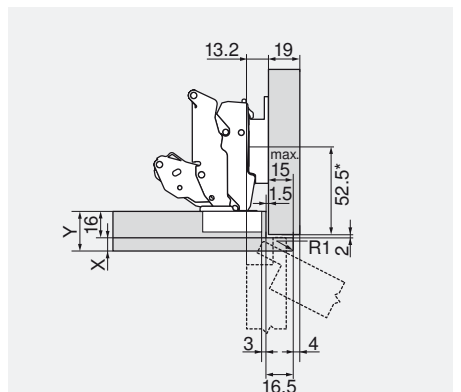
Hinge for dual applications

Mounting plate

175H9160

Opening angle stop

70T7503N



Cabinet situation

X

Y



max. 8

max. 24



max. 8

max. 24



max. 8

max. 24

Hinge for dual applications

Mounting plate

175H9160

Opening angle stop

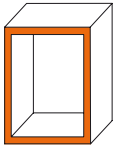
-

\* Dimension for mounting plate with dimension A = 37 mm

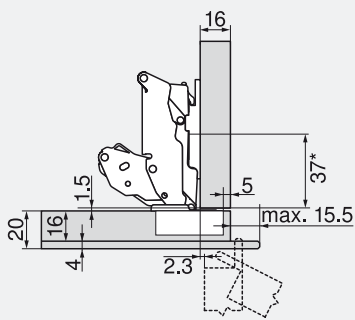
# CLIP top 155°



# Special applications



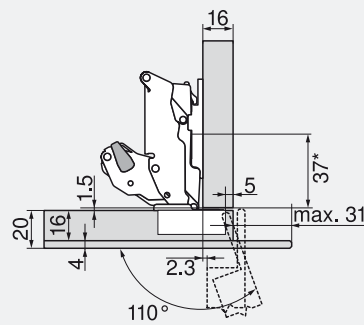
## Protruding thin facings added to door



Hinge for overlay applications

0 mm mounting plate

Opening angle stop



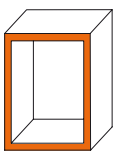
Hinge for overlay applications

0 mm mounting plate

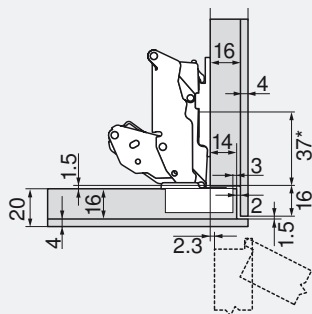
Opening angle stop

70T7503N

\* Dimension for mounting plate with dimension A = 37 mm



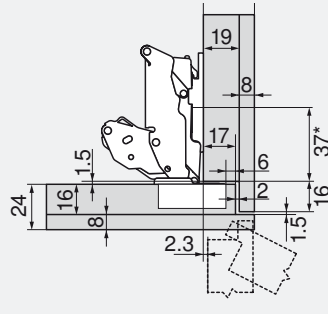
## Thin facings added to both door and cabinet



Hinge for overlay applications

0 mm mounting plate

Opening angle stop



Hinge for overlay applications

0 mm mounting plate

Opening angle stop

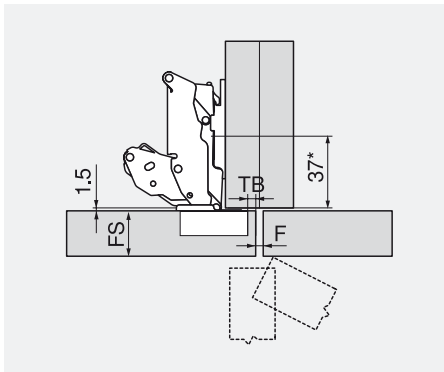
\* Dimension for mounting plate with dimension A = 37 mm

## Special applications

## CLIP top 155°

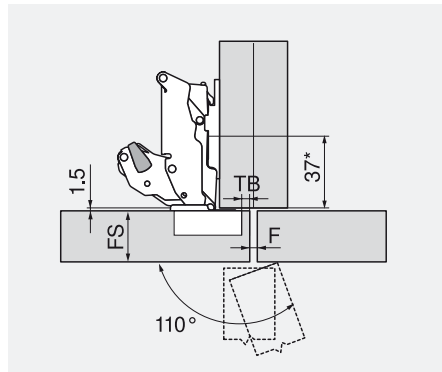


### Max. front thickness



TB	max. FS	min. F
3	24	0
4	24	0
5	24	0
6	23	0
7	23	0
8	23	0

Hinge for overlay applications		
0 mm mounting plate		
Opening angle stop	-	



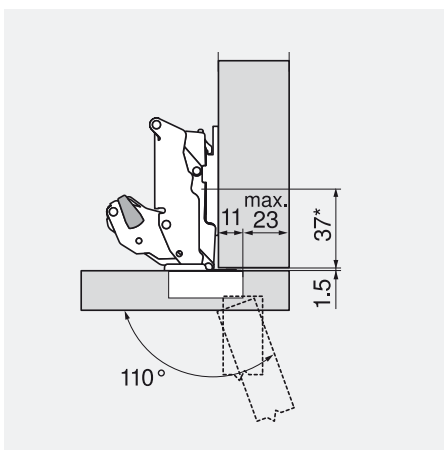
TB	max. FS	min. F
3	28	2
4	27	2
5	27	2
6	26	2
7	25	2
8	25	1

Hinge for overlay applications		
0 mm mounting plate		
Opening angle stop	70T7503N	

- F Gap
- FS Front thickness
- TB Boss drilling distance

\* Dimension for mounting plate with dimension A = 37 mm

### Max. front overlay



Hinge for overlay applications	
0 mm mounting plate	
Opening angle stop	70T7503N

For a free-standing cabinet the front thickness can be selected as required.

We recommend a trial application for neighbouring front or an overlay application on the wall.

\* Dimension for mounting plate with dimension A = 37 mm

Julius Blum GmbH  
Furniture Fittings Mfg.  
6973 Höchst, Austria  
Tel.: +43 5578 705-0  
Fax: +43 5578 705-44  
E-mail: [info@blum.com](mailto:info@blum.com)  
[www.blum.com](http://www.blum.com)



**ISO 9001**  
Certified Quality  
System



**ISO 14001**  
Certified Environmental  
System



**ISO 50001**  
Certified Energy  
System

 **blum**<sup>®</sup>