



CABLOXX

Greater design freedom
for lockable furniture

www.blum.com

 **blum**[®]

A woman with her hair in a bun, wearing a dark turtleneck and sequined pants, stands in a modern bedroom. She is looking into an open wooden jewelry drawer that is filled with various pieces of jewelry. On the dresser, there is a black lamp, a smartphone on a stand, and a small bowl. The room has a light-colored wall and a wooden floor.

An added touch for high-quality furniture

Lockable furniture can be used to secure a wide range of items, including precious personal items, confidential documents and valuable shop products. CABLOXX adds an extra layer of security to premium furniture, whilst offering plenty of design freedom.



Contents

- 4 Different ideas, one solution
- 6 Protection against unauthorised access
- 8 Tip protection for free-standing furniture
- 10 Proven convenience during assembly
- 12 Ordering and planning information
- 22 moving ideas

Different ideas, one solution

Blum's locking system offers a wide range of design options – regardless of whether it is used for LEGRABOX, MERIVOBX, TANDEMBOX, MOVENTO or TANDEM. Different cabinet widths and heights can be achieved with CABLOXX, as can different pull-out heights.



BLUMOTION by Blum	SERVO-DRIVE by Blum
TIP-ON BLUMOTION by Blum	TIP-ON by Blum

All motion technologies

BLUMOTION, SERVO-DRIVE, TIP-ON BLUMOTION or TIP-ON – Blum's locking system can be used with all electrical and mechanical motion technologies.



Different colour variants

The front locking bracket can be adapted to each box system thanks to its four colour variants: terra black, orion grey, white grey and silk white.







Protection against unauthorised access

If you have items that need to be stored in an organised way, presented appealingly and stored safely, CABLOXX is the right solution for you. Pull-outs are securely locked and protected against unauthorised access. Blum's locking system is compatible with all standard cylinder locks.



Safely out of the reach of children

A lockable pull-out is an ideal solution if you need a child safety latch on your furniture at home. Possible sources of danger such as cleaning products and medication are then stored safely away from children.

Tip protection for free-standing furniture

The integrated tip protection of CABLOXX makes using furniture even safer. With a pull-out lock installed, only one pull-out can open at a time, which takes the options for free-standing furniture design to the next level.







Proven convenience during assembly

Box and runner systems do not need to have special dimensions to be used in combination with CABLOXX. Height, side, tilt and depth are fully adjustable and are easy to use thanks to the flexibility of Blum's locking system.



High flexibility

If the locking bar has been cut to the required size, the spacers and the locking mechanism units can be positioned wherever required. In other words, CABLOXX offers a high degree of freedom for the design process.



No impact on pull-out system

The front locking bracket is not fixed to the drawer side but rather to the front directly. This way CABLOXX has no impact on the assembly or inner workings of the corresponding pull-out system.



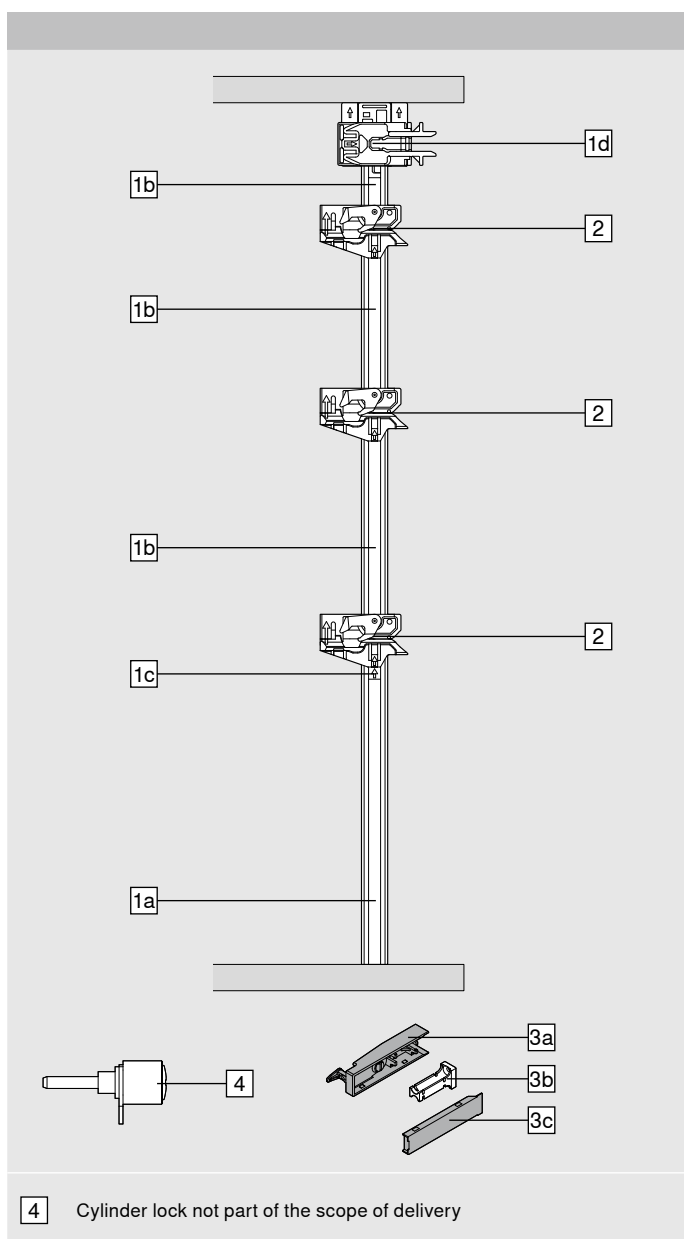
Cutting to size template

A template helps you to cut locking bars, spacers and synchronisation shafts to precise sizes as well as to drill the positioning hole for the end cap or the drilling pattern for the synchronisation attachment.



- CABLOXX is a compact and straightforward package that provides an extra layer of security while maintaining a high degree of design freedom
- System-independent solution – can be combined with various box and runner systems
- High flexibility – can be used for various cabinet dimensions
- Up to five pull-outs can be used per locking bar
- Can be combined with all motion technologies
- Unrestricted adjustment

Ordering information



Locking bar set, can be cut to size

1	Locking bar set		
	Cabinet height KH (mm)	Material	
	Up to 600	Steel	Z80S0560
	Up to 800	Steel	Z80S0760
	Up to 1300	Steel	Z80S1260

Consisting of:

1a	1 x	Locking bar
1b	1 x	Spacer for cutting to size
1c	1 x	End cap
1d	1 x	Attachment for cylinder lock
-	1 x	Drilling template for end cap
-	1 x	Installation instructions

Can be combined with all Blum box and runner systems

Cutting for 1a	Internal cabinet height LH – 2 mm
-----------------------	-----------------------------------

2	Locking units		
	Version	Material	
	Right	Nylon	Z80.000V
	Left	Nylon	Z80.000V

3	Front locking bracket set		
	Colour	Material	
	SW-M WGR OG-M TS-M	Nylon/zinc	Z80.000S

Consisting of:

3a	1 x	Front locking bracket
3b	1 x	Front piece for front locking bracket
3c	1 x	Cover cap for front locking bracket

Ordering information

Locking bar set right – Ready-made			
-	Locking bar set right – M M M		
	Length (mm)	Material	
	542	Steel	Z80S0542CA
Consisting of:			
1a	1 x	Locking bar	
1b	3 x	Pre-assembled spacer	
1d	1 x	Pre-assembled attachment for cylinder lock	
2	3 x	Pre-assembled locking unit, right	
Suitable for three drawers – M			
For use with LEGRABOX and TANDEMBOX in tier system 32, internal cabinet height LH of 544 mm			
For use with MERIVOBOX, the locking bar set for cutting to size is required.			

Locking bar set right – Ready-made			
-	Locking bar set right – C M		
	Length (mm)	Material	
	542	Steel	Z80S0542BA
Consisting of:			
1a	1 x	Locking bar	
1b	2 x	Pre-assembled spacer	
1d	1 x	Pre-assembled attachment for cylinder lock	
2	2 x	Pre-assembled locking unit, right	
Suitable for one drawer – M and one high fronted pull-out – C			
For use with LEGRABOX and TANDEMBOX in tier system 32, internal cabinet height LH of 544 mm			
For use with MERIVOBOX, the locking bar set for cutting to size is required.			

Colour			
SW-M	Silk white matt	TS-M	Terra black matt
WGR	White grey	S	Black
OG-M	Orion grey matt		

Accessories

Synchronisation set			
	Colour	Material	
	S	Nylon	Z80V000A
Consisting of:			
-	2 x	Attachment for synchronisation	
-	2 x	Synchronisation lever	
Recommended for cabinet widths (KB) of > 600 mm in combination with closing function			
When a synchronisation is used, two locking bar sets are necessary			

Synchronisation linkage			
	Length (mm)	Material	
	1163	Aluminium	Z80V1163W
For cutting to size			
When a synchronisation is used, two locking bar sets are necessary			
Cutting	Internal cabinet width LW – 7 mm		

Assembly devices

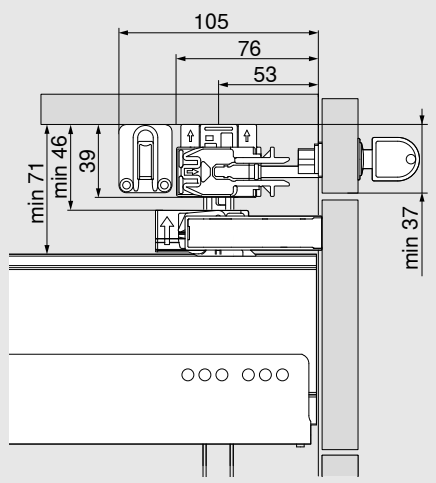
Cutting-to-size template	
	65.0801
For cutting to size of the locking bar, spacers and synchronisation linkage	
For drilling positions of end cap and attachment for synchronisation	

Positioning template for LEGRABOX	
	65.0807

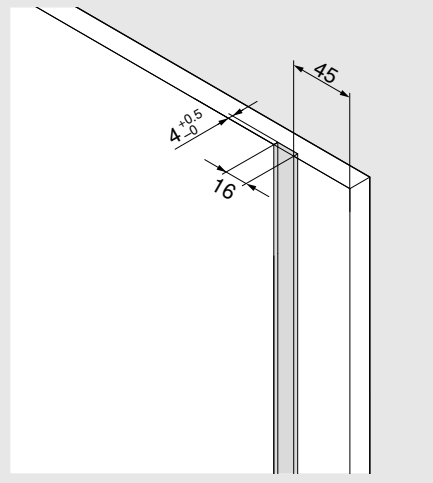
Positioning template for TANDEMBOX	
	65.0803

Planning

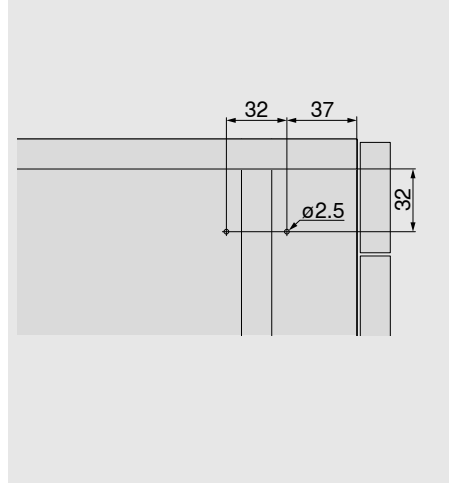
Space requirement – locking bar and synchronisation



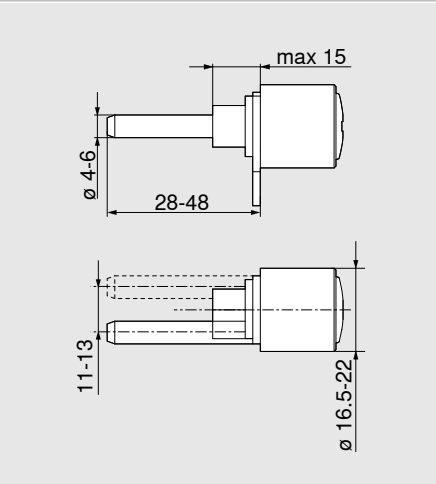
Groove dimension – locking bar



Drilling distances – locking bar

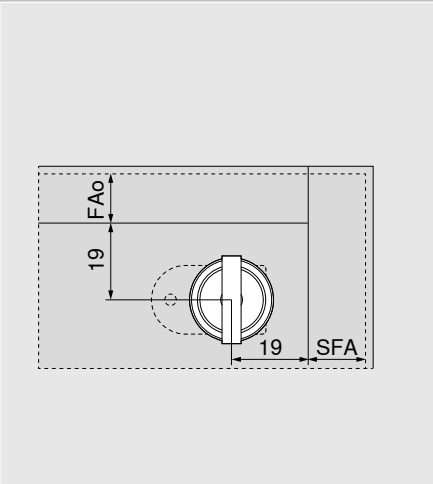


Specifications – cylinder lock



Cylinder lock not part of the scope of delivery

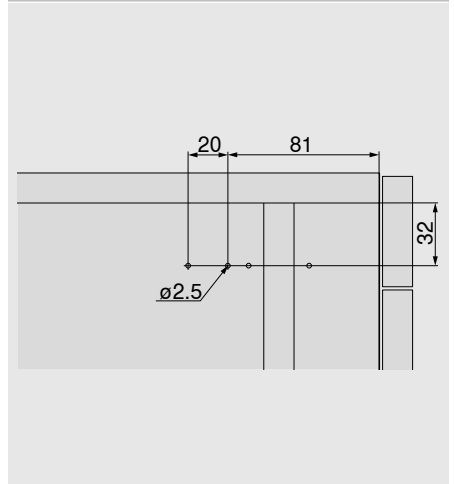
Drilling distances – cylinder lock



FAo Upper front overlay

SFA Side front overlay

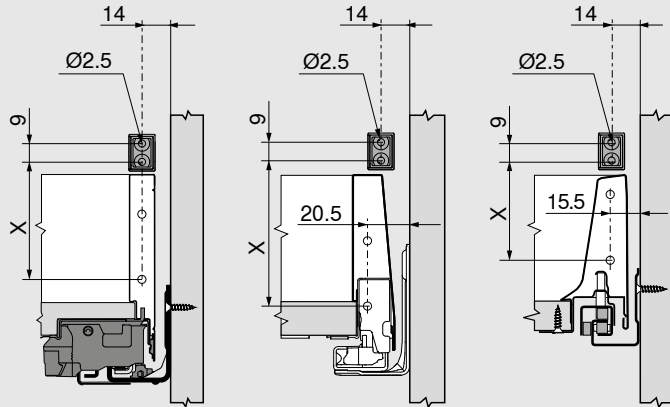
Drilling distances – attachment for synchronisation



Planning

Drilling distances – front piece for front locking bracket

LEGRABOX | MERIVOBOX | TANDEMBOX

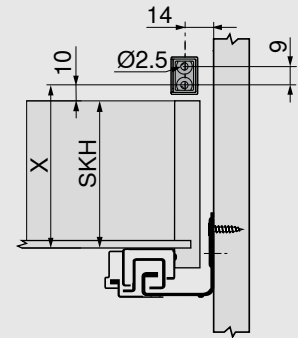


Box systems	X (mm)							
	Drawer			High fronted pull-out				
	N	M	K	B	C	D	E	F
LEGRABOX	40	59	97	-	148 ¹	-	-	212 ¹
MERIVOBOX	57	80	116	-	-	-	181	-
TANDEMBOX antaro	57	57	87	114	146	178	-	-

Front piece for front locking bracket to be pre-drilled Ø 2.5 mm

¹ +4 mm with LEGRABOX with AMBIA-LINE cross gallery

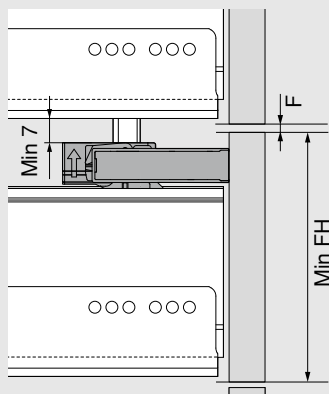
MOVENTO | TANDEM



X = SKH + 10 mm

SKH Drawer height

Minimum front height FH



Box systems	Minimum front height FH							
	Drawer			High fronted pull-out				
	N	M	K	B	C	D	E	F
LEGRABOX	107	132	170	-	221	-	-	285
MERIVOBOX	113	136	173	-	-	-	236	-
TANDEMBOX antaro	111	126	156	183	215	247	-	-

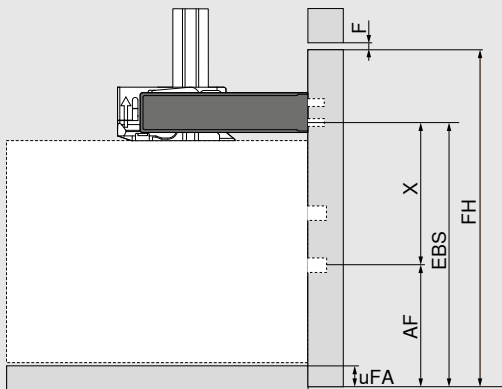
Valid for BLUMOTION runners

F Gap = 2 mm

Planning

Spacer calculation

Acronyms

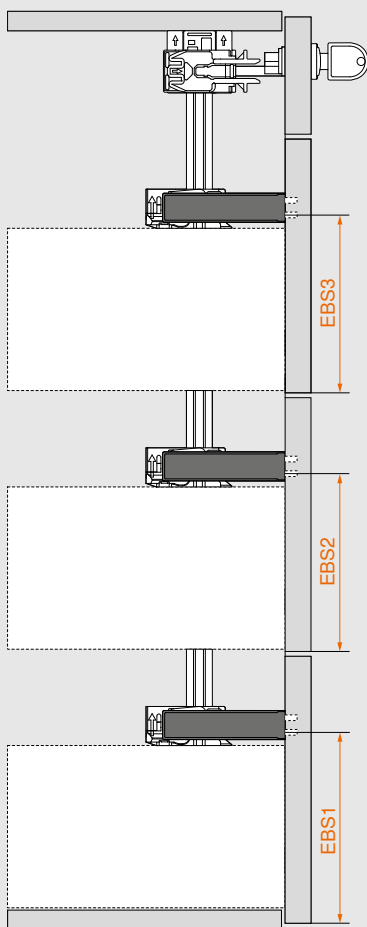


Spacer planning and calculation
www.blum.com/configurator

- AF Fixing dimensions for front fixing bracket
- EBS Installation dimensions for front locking bracket
- FH Front height
- F Gap
- uFA Bottom front protrusion
- X Drilling distance for front locking bracket (page 15)

Step 1

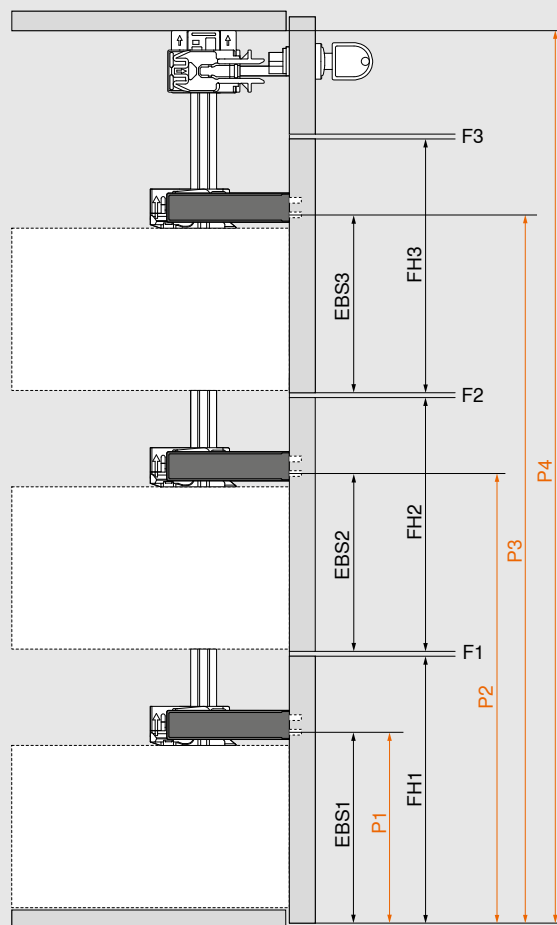
Calculate installation dimensions for front locking bracket (EBS)



$$EBS = X + AF$$

Step 2

Calculate position of front locking bracket (P) in the cabinet



$$P1 = EBS1$$

$$P2 = FH1 + F1 + EBS2$$

$$P3 = FH1 + F1 + FH2 + F2 + EBS3$$

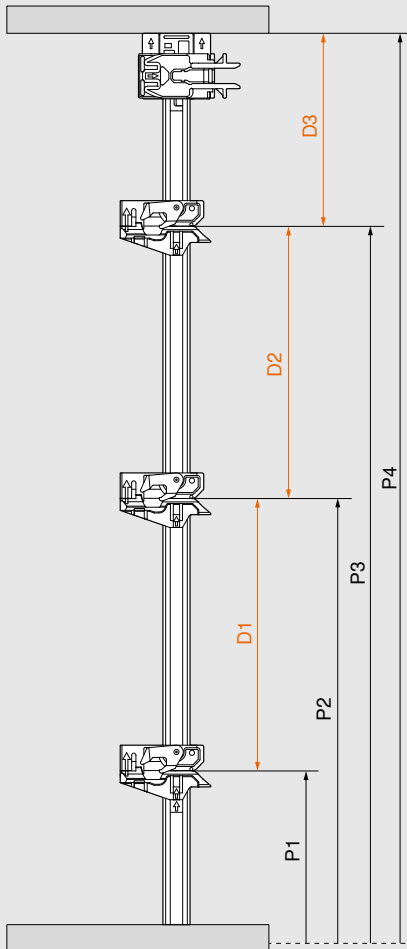
$$P4 = LH + uFA$$

Planning

Spacer calculation

Step 3

Calculate spacing (D) between locking units



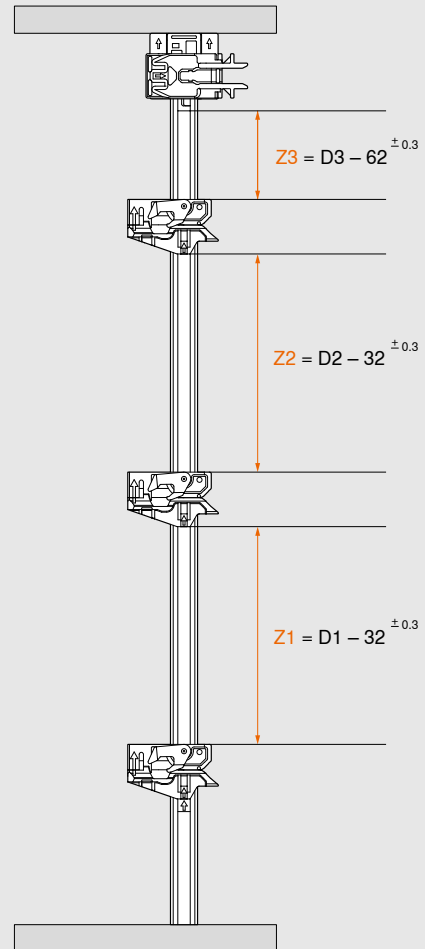
$$D1 = P2 - P1$$

$$D2 = P3 - P2$$

$$D3 = P4 - P3$$

Step 4

Calculate cutting dimension (Z)



$$Z3 = D3 - 62^{\pm 0.3}$$

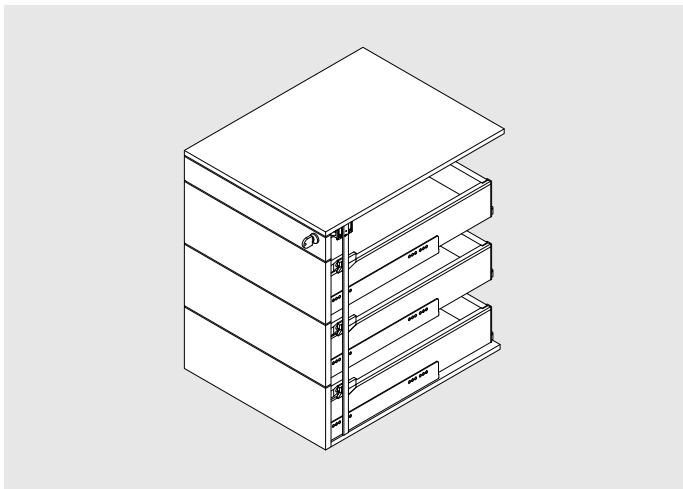
$$Z2 = D2 - 32^{\pm 0.3}$$

$$Z1 = D1 - 32^{\pm 0.3}$$

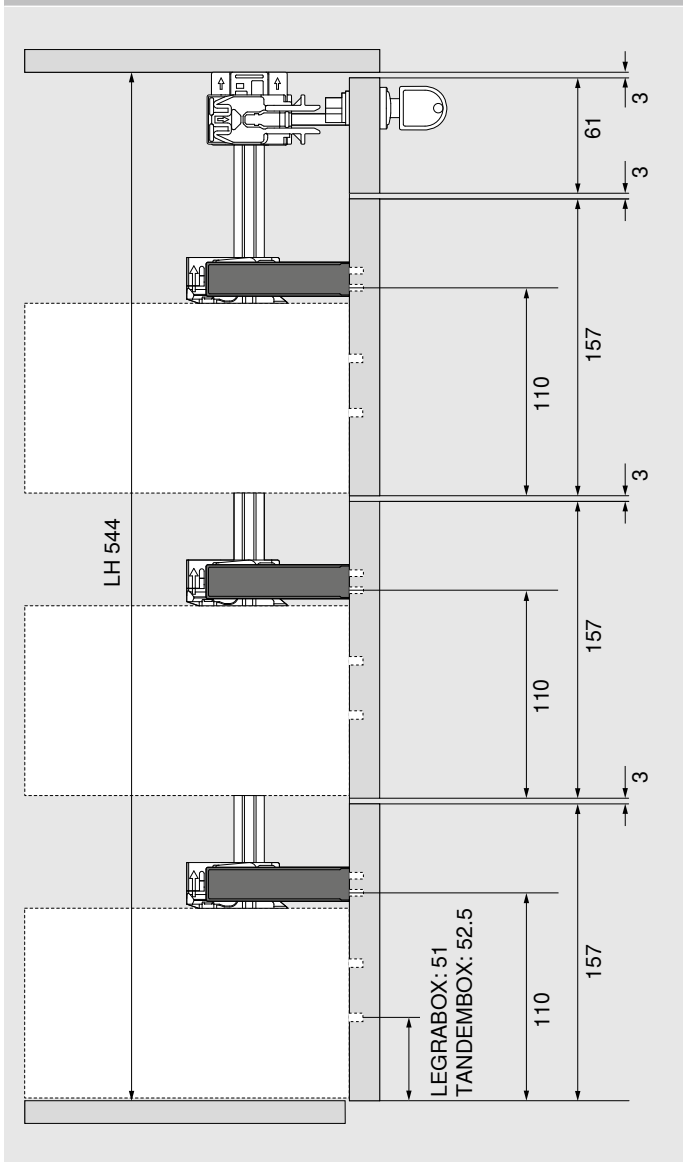
We recommend using the cutting-to-size template 65.0801 for precise sizes (see page 13).

Planning

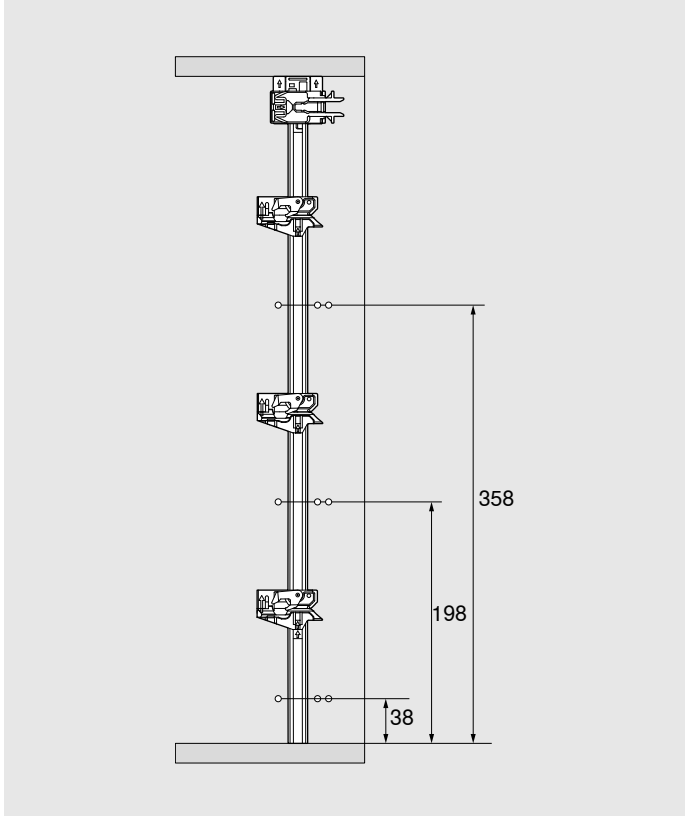
Locking bar set right – ready-made – M | M | M



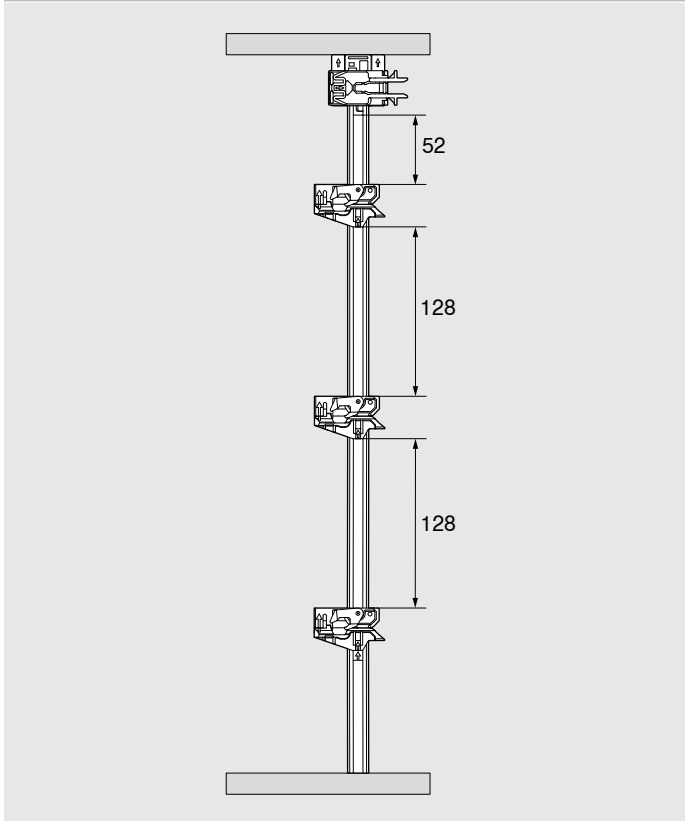
Front heights, gaps and installation dimensions for front locking bracket



Fixing position of cabinet profiles

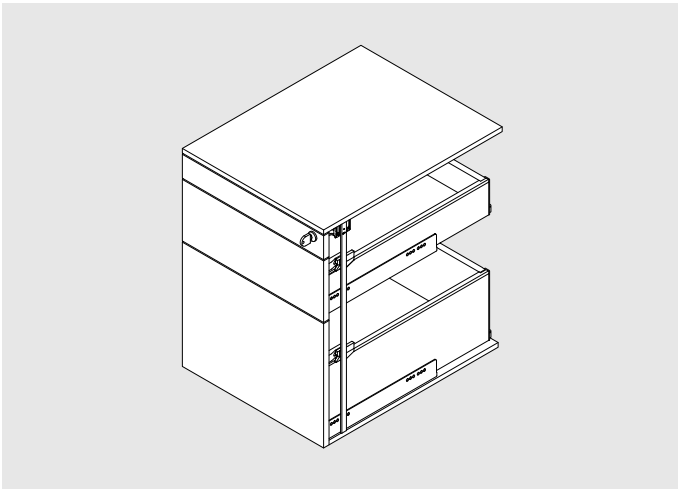


Length of spacers

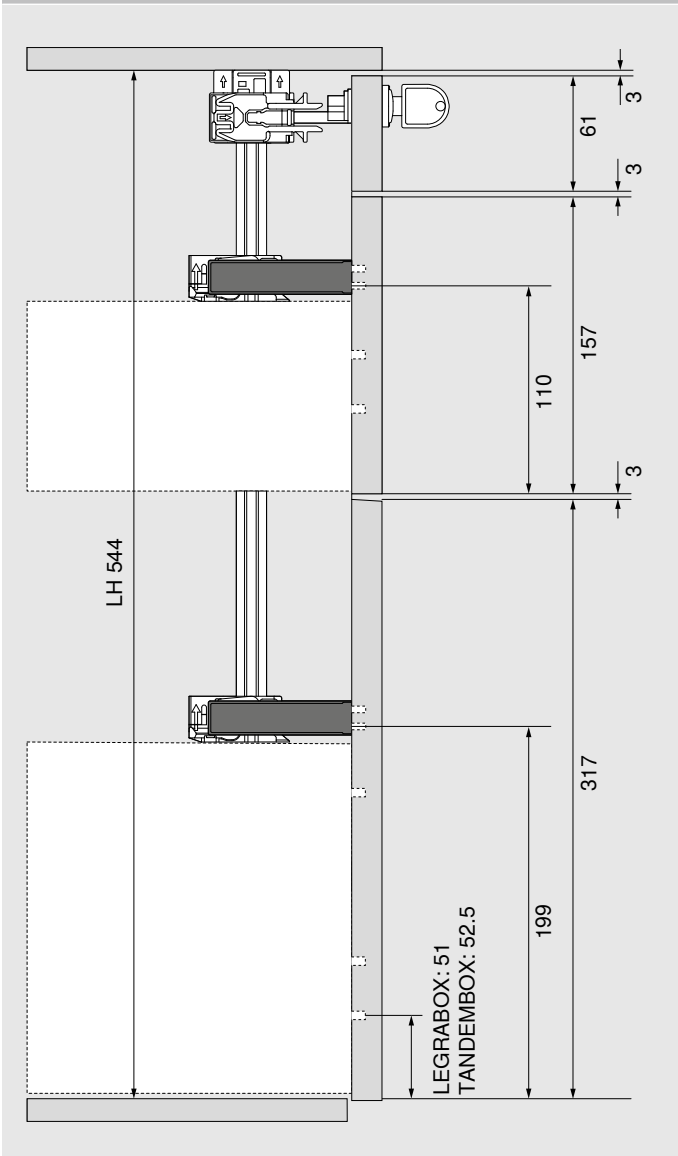


Planning

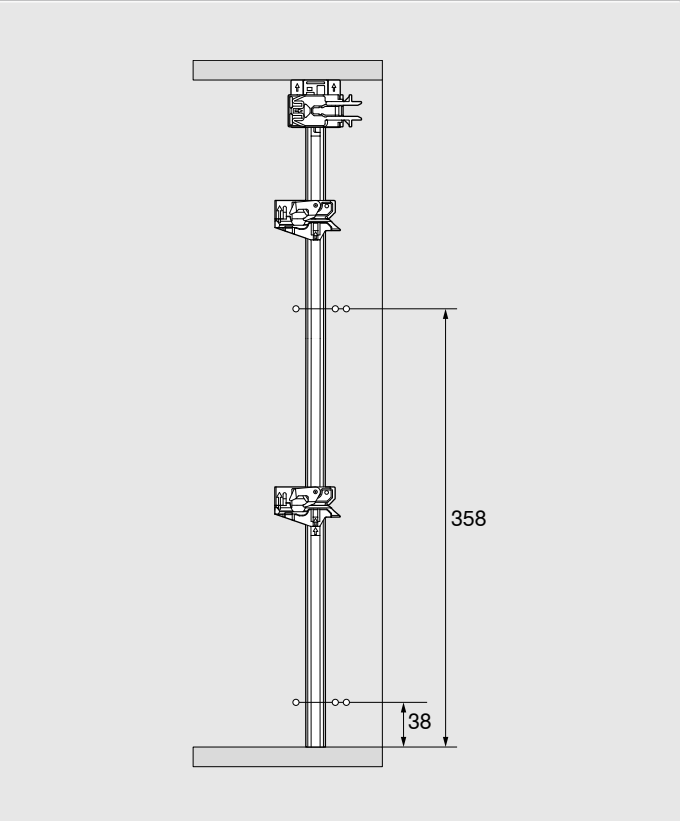
Locking bar set right – ready-made – C | M



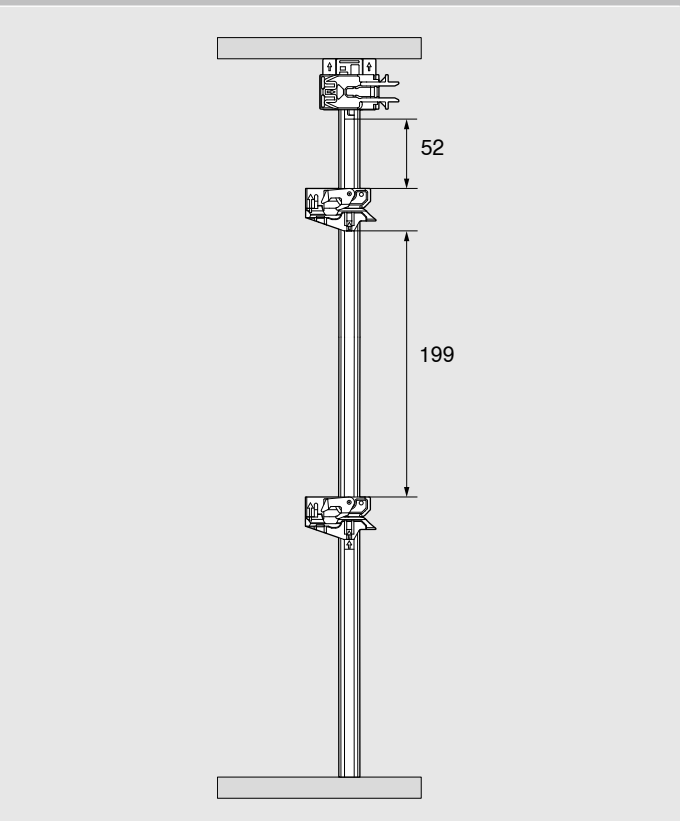
Front heights, gaps and installation dimensions for front locking bracket



Fixing position of cabinet profiles

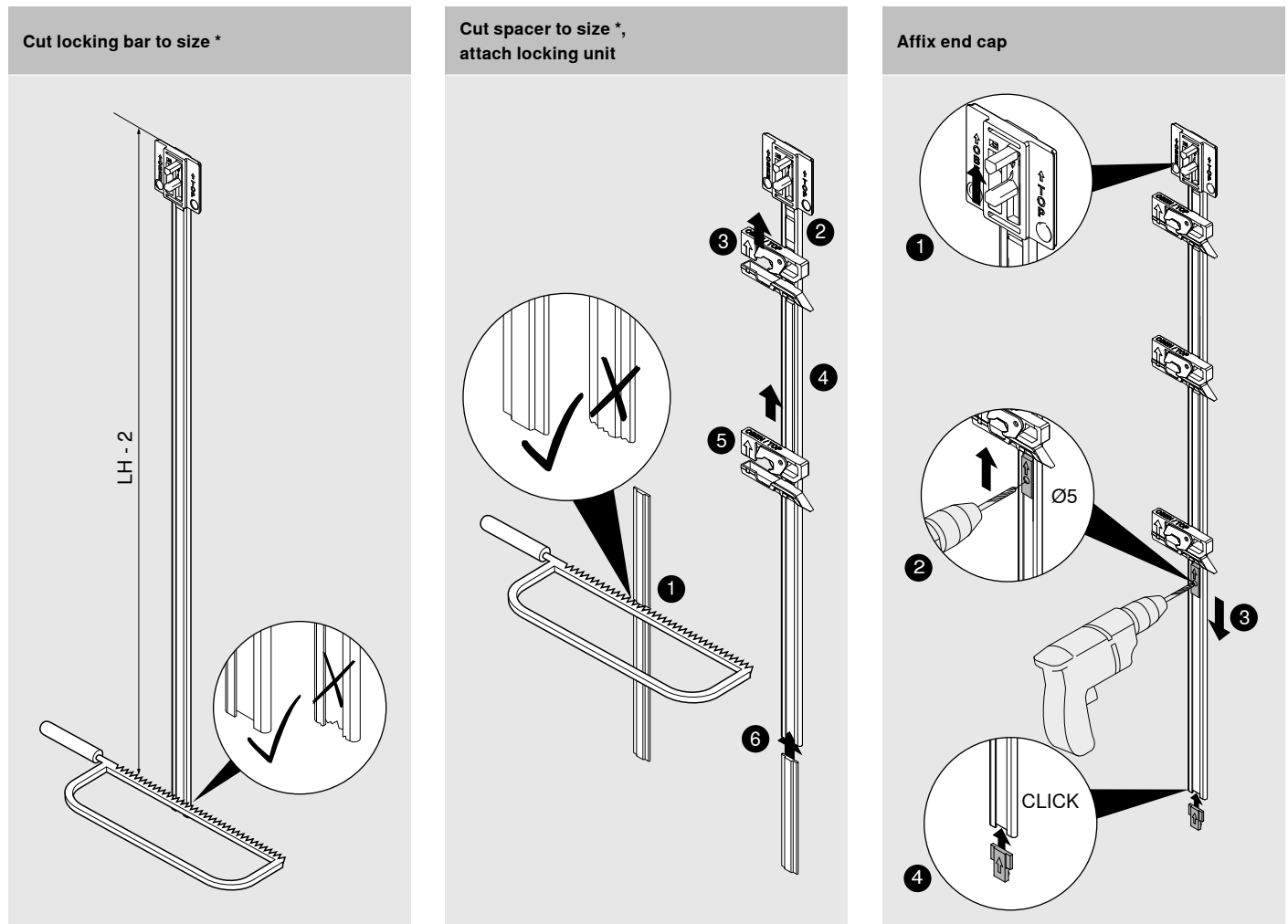


Length of spacers

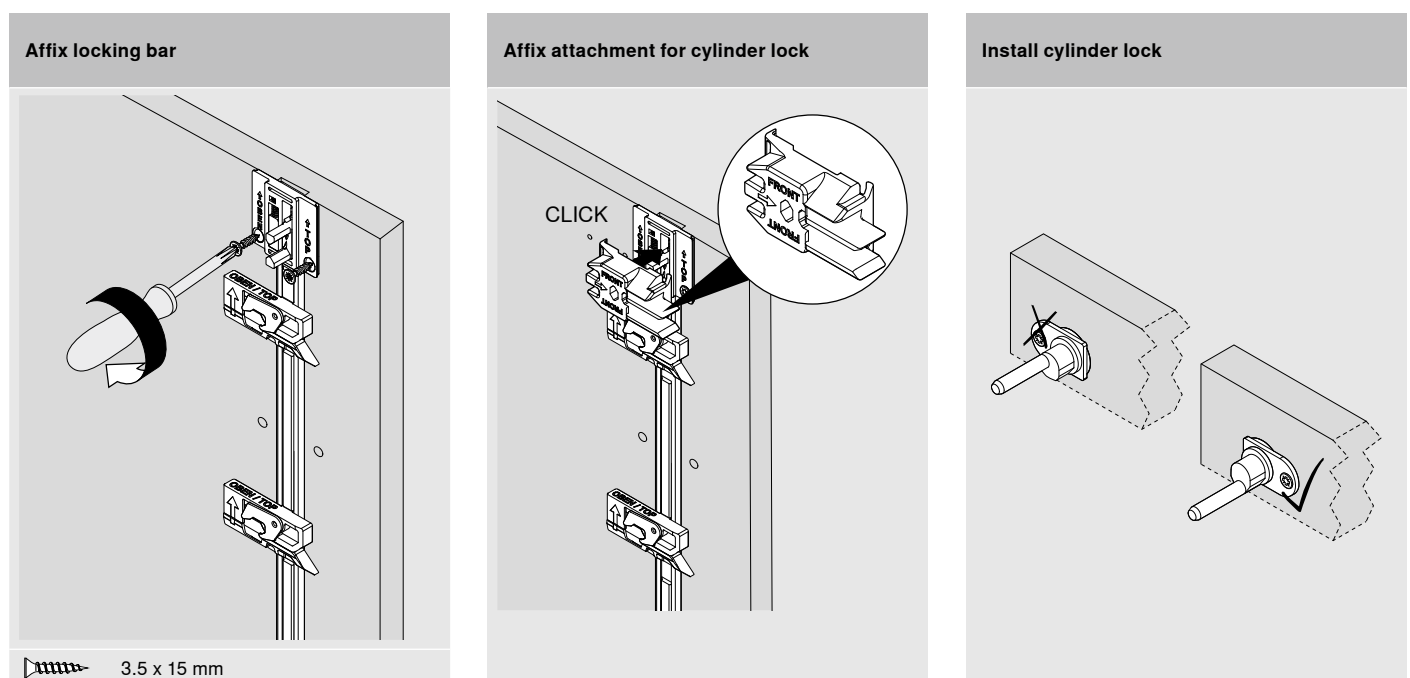


Assembly

Locking bar, locking unit and cylinder lock



* We recommend using the cutting-to-size template 65.0801 for precise sizes (see page 13).



Assembly

Front locking bracket and synchronisation

<p>Front piece for front locking bracket</p> <p> 3.5 x 15 mm</p>	<p>Front locking bracket and cover cap</p>	<p>Attachment for synchronisation</p> <p> 3.5 x 15 mm</p>
<p>Cut synchronisation linkage to size *</p> <p>* We recommend using the cutting-to-size template 65.0801 for precise sizes (see page 13).</p>	<p>Slide on synchronisation levers</p>	<p>Insert synchronisation linkage</p>
<p>Fasten synchronisation levers</p>	<p>Assembly</p> <p>Pull-outs</p>	<p>Removal</p> <p>Pull-outs</p>



moving ideas

We believe that ideas can move the world. We offer innovative fittings, inspiring furniture concepts and appropriate services so that you can turn your creative ideas into reality. We are driven by your needs, international trends and our shared vision of a better quality of living. Let us work together to create moving ideas.



Quality of living

We would like you to enjoy greater convenience and functionality when using furniture.



Product range

Everything from a single source: our wide range of products allows you to keep up with today's and tomorrow's trends.



Inspiration

We monitor global trends and strive to create the solutions of tomorrow. We like to share our insights with you.



Innovation

We stay in motion. Curiosity and pioneering spirit drive us to develop new products and services for you.



Services

We support your daily operations with customised services tailored to your processes.



Quality

We continuously strive to improve our products, services and ourselves.



Trust

We take responsibility for partnerships, our employees, society and the environment.

Julius Blum started our journey in 1952 with horseshoe studs. Today we supply innovative fittings to customers in over 120 countries.

Julius Blum GmbH
Furniture Fittings Mfg.
6973 Höchst, Austria
Tel.: +43 5578 705-0
Fax: +43 5578 705-44
E-mail: info@blum.com
www.blum.com

Our sites in Austria, Poland and China are certified to the international standards mentioned below.
Our site in the USA is certified to ISO 9001.
Our site in Brazil is certified to ISO 9001, ISO 14001 and ISO 45001.



Look for our
FSC™-certified
products

All content is copyrighted by Blum.
Subject to technical modifications and changes to the range without notice.
IDNR: 000.000.0 · EP-283/6 EN-AL/03.23