



# CABLOXX

Greater design freedom  
for lockable furniture

[www.blum.com](http://www.blum.com)

 **blum**<sup>®</sup>






# An added touch for high-quality furniture

Lockable furniture can be used to secure a wide range of items, including precious personal items, confidential documents and valuable shop products. CABLOXX adds an extra layer of security to premium furniture, whilst offering plenty of design freedom.





## Contents

- 4 Different ideas, one solution
- 6 Protection against unauthorised access
- 8 Tip protection for free-standing furniture
- 10 Proven convenience during assembly
- 12 Ordering and planning information
- 22 moving ideas

# Different ideas, one solution

Blum's locking system offers a wide range of design options – regardless of whether it is used for LEGRABOX, MERIVOBX, TANDEMBOX, MOVENTO or TANDEM. Different cabinet widths and heights can be achieved with CABLOXX, as can different pull-out heights.



<b>BLUMOTION</b> by Blum	<b>SERVO-DRIVE</b> by Blum
<b>TIP-ON BLUMOTION</b> by Blum	<b>TIP-ON</b> by Blum

## All motion technologies

BLUMOTION, SERVO-DRIVE, TIP-ON BLUMOTION or TIP-ON – Blum's locking system can be used with all electrical and mechanical motion technologies.



## Different colour variants

The front locking bracket can be adapted to each box system thanks to its four colour variants: terra black, orion grey, white grey and silk white.













# Protection against unauthorised access

If you have items that need to be stored in an organised way, presented appealingly and stored safely, CABLOXX is the right solution for you. Pull-outs are securely locked and protected against unauthorised access. Blum's locking system is compatible with all standard cylinder locks.



## **Safely out of the reach of children**

A lockable pull-out is an ideal solution if you need a child safety latch on your furniture at home. Possible sources of danger such as cleaning products and medication are then stored safely away from children.

# Tip protection for free-standing furniture

The integrated tip protection of CABLOXX makes using furniture even safer. With a pull-out lock installed, only one pull-out can open at a time, which takes the options for free-standing furniture design to the next level.









## Proven convenience during assembly

Box and runner systems do not need to have special dimensions to be used in combination with CABLOXX. Height, side, tilt and depth are fully adjustable and are easy to use thanks to the flexibility of Blum's locking system.





### High flexibility

If the locking bar has been cut to the required size, the spacers and the locking mechanism units can be positioned wherever required. In other words, CABLOXX offers a high degree of freedom for the design process.



### No impact on pull-out system

The front locking bracket is not fixed to the drawer side but rather to the front directly. This way CABLOXX has no impact on the assembly or inner workings of the corresponding pull-out system.



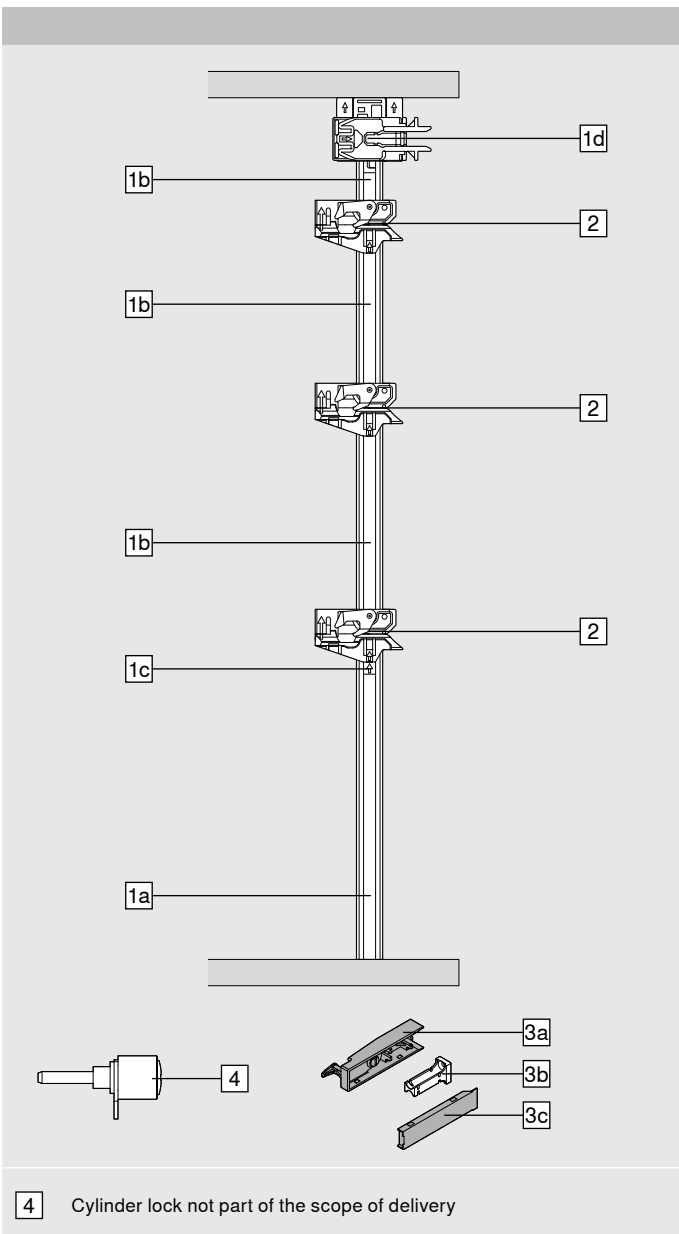
### Cutting to size template

A template helps you to cut locking bars, spacers and synchronisation shafts to precise sizes as well as to drill the positioning hole for the end cap or the drilling pattern for the synchronisation attachment.



- CABLOXX is a compact and straightforward package that provides an extra layer of security while maintaining a high degree of design freedom
- System-independent solution – can be combined with various box and runner systems
- High flexibility – can be used for various cabinet dimensions
- Up to five pull-outs can be used per locking bar
- Can be combined with all motion technologies
- Unrestricted adjustment

### Ordering information



#### Locking bar set, can be cut to size

1	Locking bar set		
	<b>Cabinet height KH (mm)</b>	<b>Material</b>	
	Up to 600	Steel	Z80S0560
	Up to 800	Steel	Z80S0760
	Up to 1300	Steel	Z80S1260

#### Consisting of:

<b>1a</b>	1 x	Locking bar
<b>1b</b>	1 x	Spacer for cutting to size
<b>1c</b>	1 x	End cap
<b>1d</b>	1 x	Attachment for cylinder lock
-	1 x	Drilling template for end cap
-	1 x	Installation instructions

Can be combined with all Blum box and runner systems

<b>Cutting for 1a</b>	Internal cabinet height LH – 2 mm
-----------------------	-----------------------------------

2	Locking units		
	<b>Version</b>	<b>Material</b>	
	Right	Nylon	Z80.000V
	Left	Nylon	Z80.000V

3	Front locking bracket set		
	<b>Colour</b>	<b>Material</b>	
	SW-M   WGR   OG-M   TS-M	Nylon/zinc	Z80.000S

#### Consisting of:

<b>3a</b>	1 x	Front locking bracket
<b>3b</b>	1 x	Front piece for front locking bracket
<b>3c</b>	1 x	Cover cap for front locking bracket



Ordering information

Locking bar set right – Ready-made			
-	Locking bar set right – M   M   M		
	Length (mm)	Material	
	542	Steel	Z80S0542CA
<b>Consisting of:</b>			
1a	1 x	Locking bar	
1b	3 x	Pre-assembled spacer	
1d	1 x	Pre-assembled attachment for cylinder lock	
2	3 x	Pre-assembled locking unit, right	
Suitable for three drawers – M			
For use with LEGRABOX and TANDEMBOX in tier system 32, internal cabinet height LH of 544 mm			
For use with MERIVOBOX, the locking bar set for cutting to size is required.			

Locking bar set right – Ready-made			
-	Locking bar set right – C   M		
	Length (mm)	Material	
	542	Steel	Z80S0542BA
<b>Consisting of:</b>			
1a	1 x	Locking bar	
1b	2 x	Pre-assembled spacer	
1d	1 x	Pre-assembled attachment for cylinder lock	
2	2 x	Pre-assembled locking unit, right	
Suitable for one drawer – M and one high fronted pull-out – C			
For use with LEGRABOX and TANDEMBOX in tier system 32, internal cabinet height LH of 544 mm			
For use with MERIVOBOX, the locking bar set for cutting to size is required.			

Colour			
SW-M	Silk white matt	TS-M	Terra black matt
WGR	White grey	S	Black
OG-M	Orion grey matt		

Accessories

Synchronisation set			
	Colour	Material	
	S	Nylon	Z80V000A
<b>Consisting of:</b>			
-	2 x	Attachment for synchronisation	
-	2 x	Synchronisation lever	
Recommended for cabinet widths (KB) of > 600 mm in combination with closing function			
When a synchronisation is used, two locking bar sets are necessary			

Synchronisation linkage			
	Length (mm)	Material	
	1163	Aluminium	Z80V1163W
For cutting to size			
When a synchronisation is used, two locking bar sets are necessary			
Cutting	Internal cabinet width LW – 7 mm		

Assembly devices

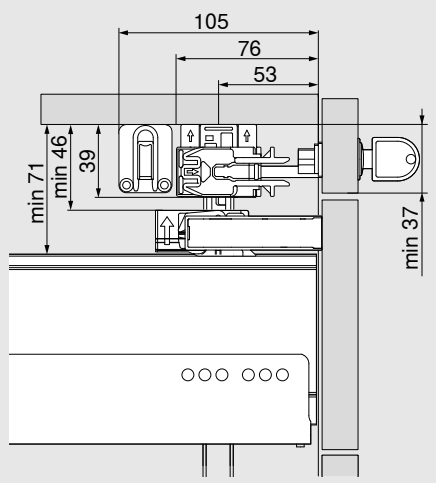
Cutting-to-size template	
	65.0801
For cutting to size of the locking bar, spacers and synchronisation linkage	
For drilling positions of end cap and attachment for synchronisation	

Positioning template for LEGRABOX	
	65.0807

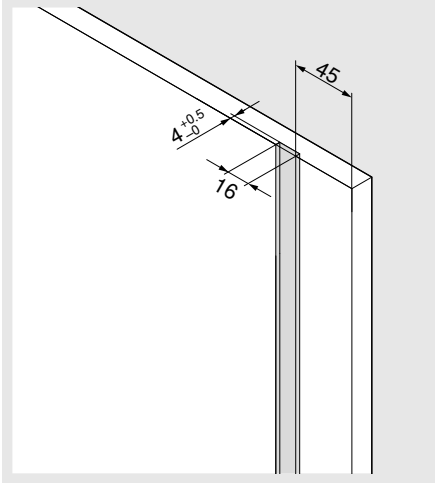
Positioning template for TANDEMBOX	
	65.0803

Planning

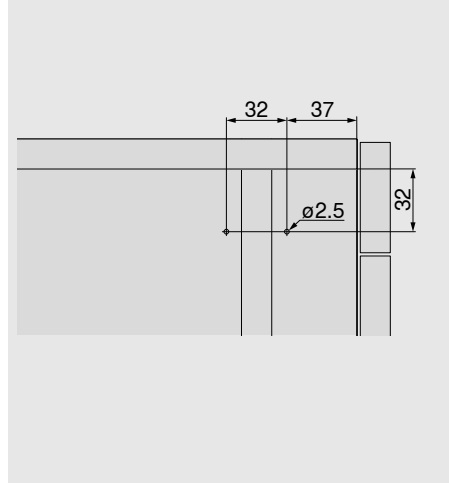
Space requirement – locking bar and synchronisation



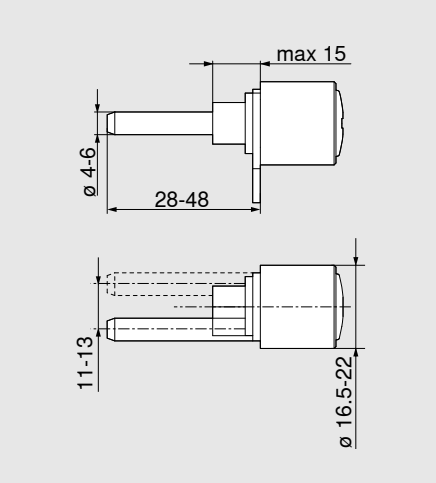
Groove dimension – locking bar



Drilling distances – locking bar

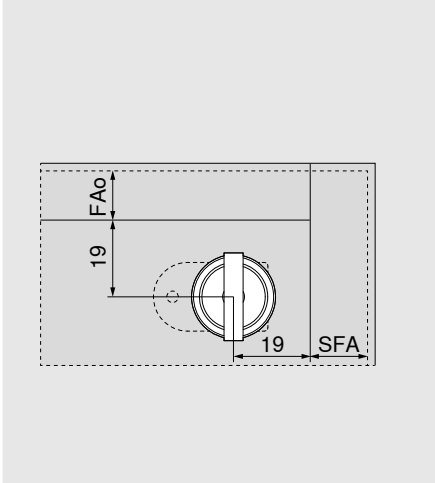


Specifications – cylinder lock



Cylinder lock not part of the scope of delivery

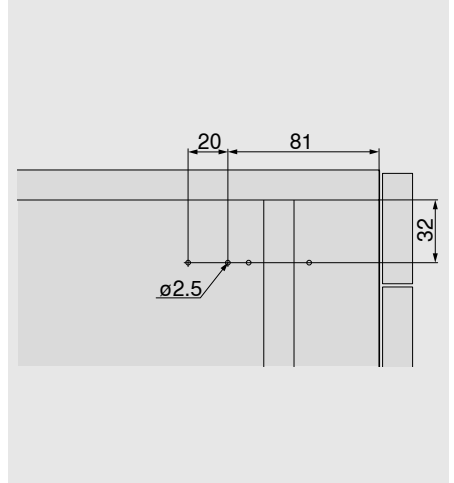
Drilling distances – cylinder lock



FAo Upper front overlay

SFA Side front overlay

Drilling distances – attachment for synchronisation

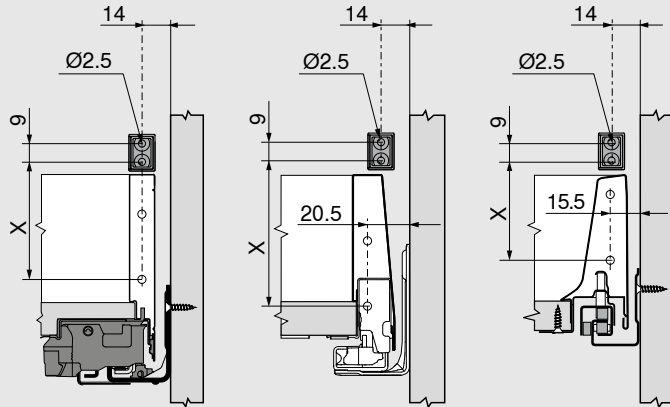




## Planning

### Drilling distances – front piece for front locking bracket

#### LEGRABOX | MERIVOBOX | TANDEMBOX

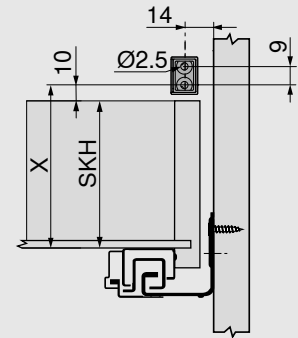


Box systems	X (mm)							
	Drawer			High fronted pull-out				
	N	M	K	B	C	D	E	F
LEGRABOX	40	59	97	-	148 <sup>1</sup>	-	-	212 <sup>1</sup>
MERIVOBOX	57	80	116	-	-	-	181	-
TANDEMBOX antaro	57	57	87	114	146	178	-	-

Front piece for front locking bracket to be pre-drilled Ø 2.5 mm

<sup>1</sup> +4 mm with LEGRABOX with AMBIA-LINE cross gallery

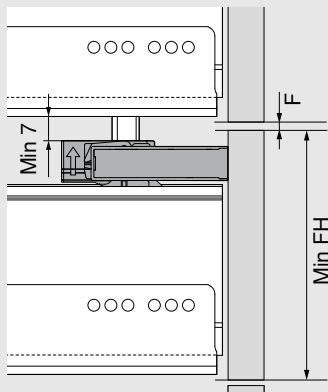
#### MOVENTO | TANDEM



X = SKH + 10 mm

SKH Drawer height

### Minimum front height FH



Box systems	Minimum front height FH							
	Drawer			High fronted pull-out				
	N	M	K	B	C	D	E	F
LEGRABOX	107	132	170	-	221	-	-	285
MERIVOBOX	113	136	173	-	-	-	236	-
TANDEMBOX antaro	111	126	156	183	215	247	-	-

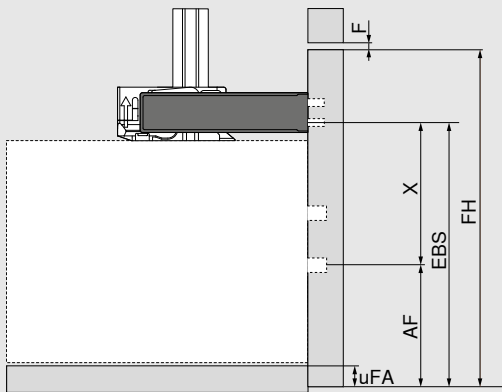
Valid for BLUMOTION runners

F Gap = 2 mm

## Planning

### Spacer calculation

#### Acronyms

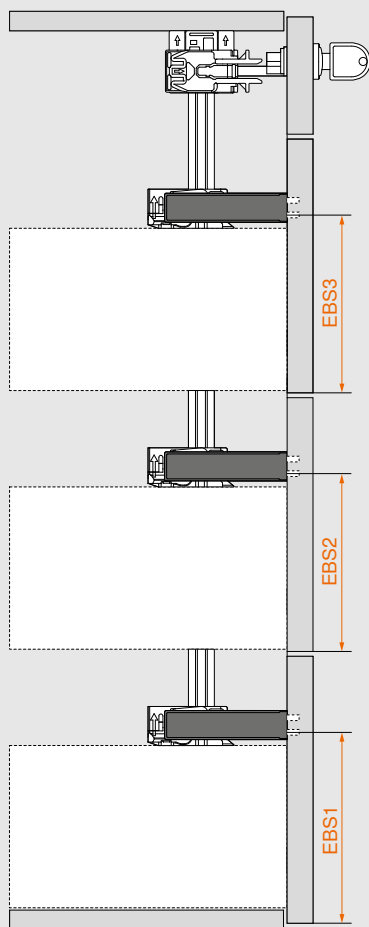


Spacer planning and calculation  
[www.blum.com/configurator](http://www.blum.com/configurator)

- AF Fixing dimensions for front fixing bracket
- EBS Installation dimensions for front locking bracket
- FH Front height
- F Gap
- uFA Bottom front protrusion
- X Drilling distance for front locking bracket (page 15)

#### Step 1

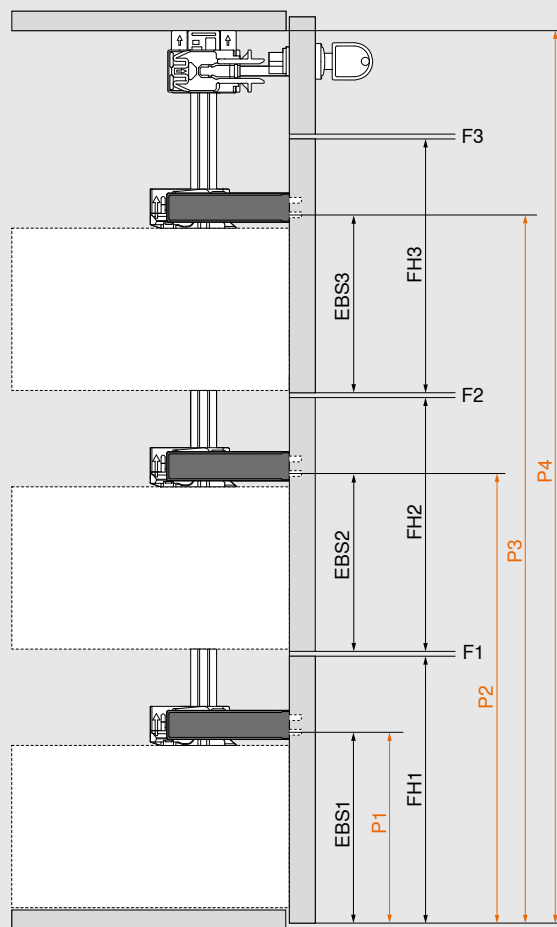
##### Calculate installation dimensions for front locking bracket (EBS)



$$EBS = X + AF$$

#### Step 2

##### Calculate position of front locking bracket (P) in the cabinet



$$P1 = EBS1$$

$$P2 = FH1 + F1 + EBS2$$

$$P3 = FH1 + F1 + FH2 + F2 + EBS3$$

$$P4 = LH + uFA$$

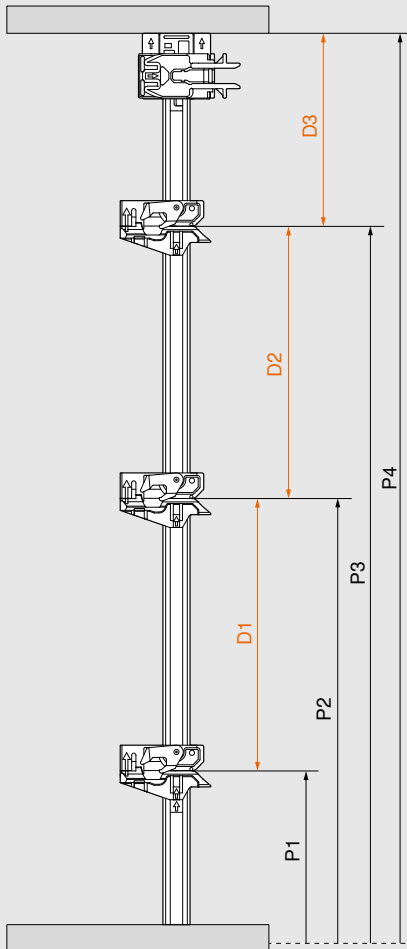


## Planning

### Spacer calculation

#### Step 3

Calculate spacing (D) between locking units



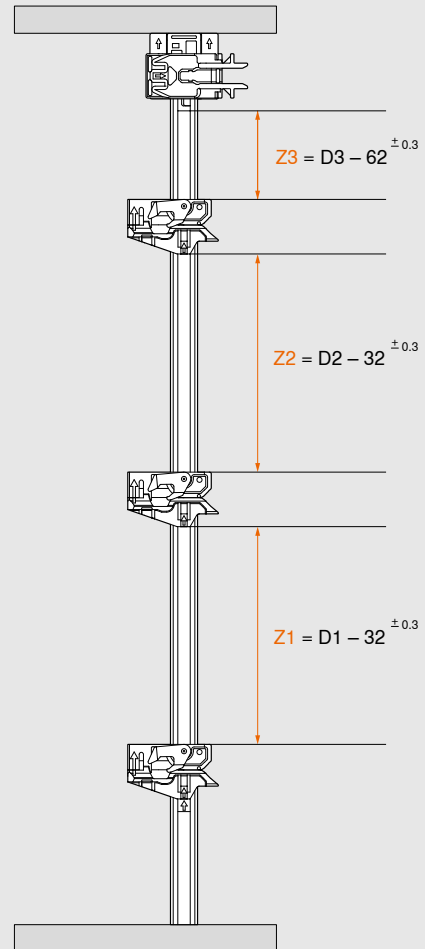
$$D1 = P2 - P1$$

$$D2 = P3 - P2$$

$$D3 = P4 - P3$$

#### Step 4

Calculate cutting dimension (Z)



$$Z3 = D3 - 62^{\pm 0.3}$$

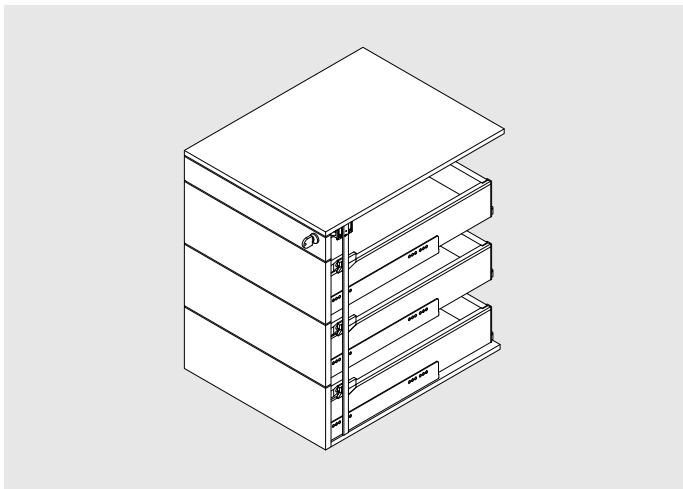
$$Z2 = D2 - 32^{\pm 0.3}$$

$$Z1 = D1 - 32^{\pm 0.3}$$

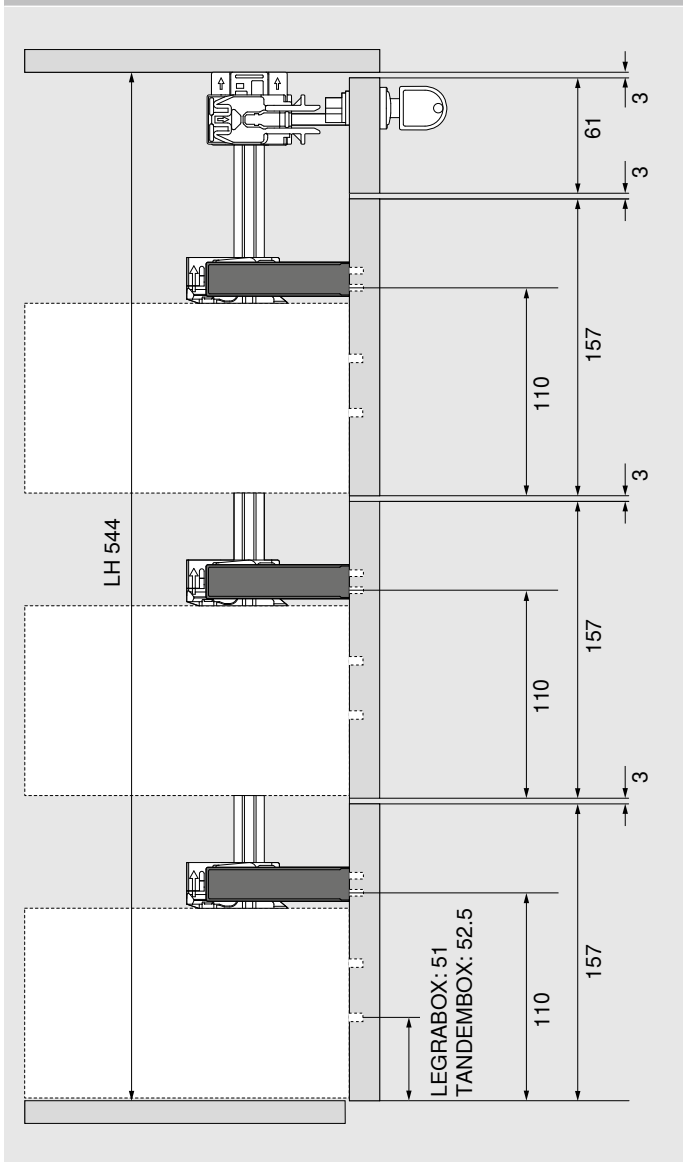
We recommend using the cutting-to-size template 65.0801 for precise sizes (see page 13).

Planning

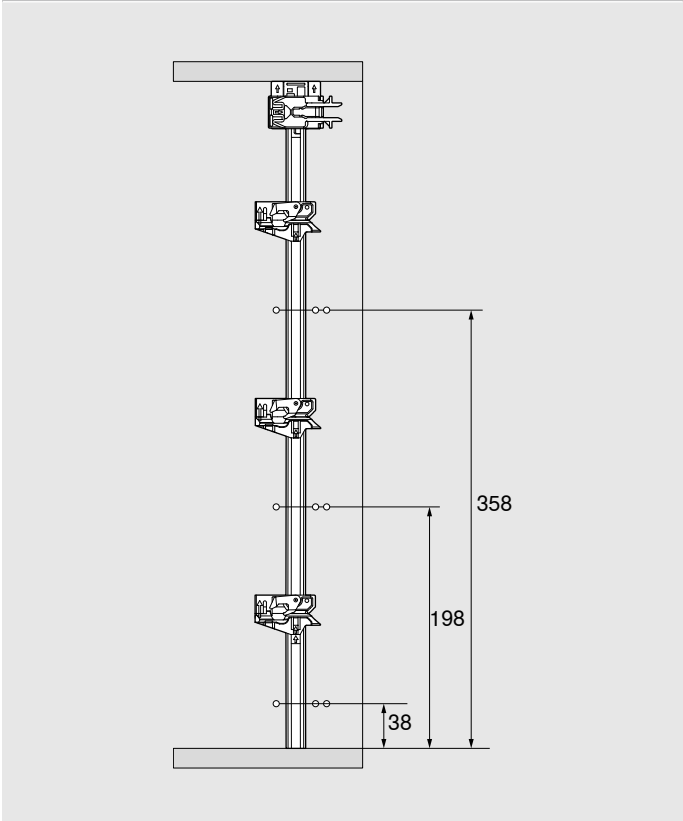
Locking bar set right – ready-made – M | M | M



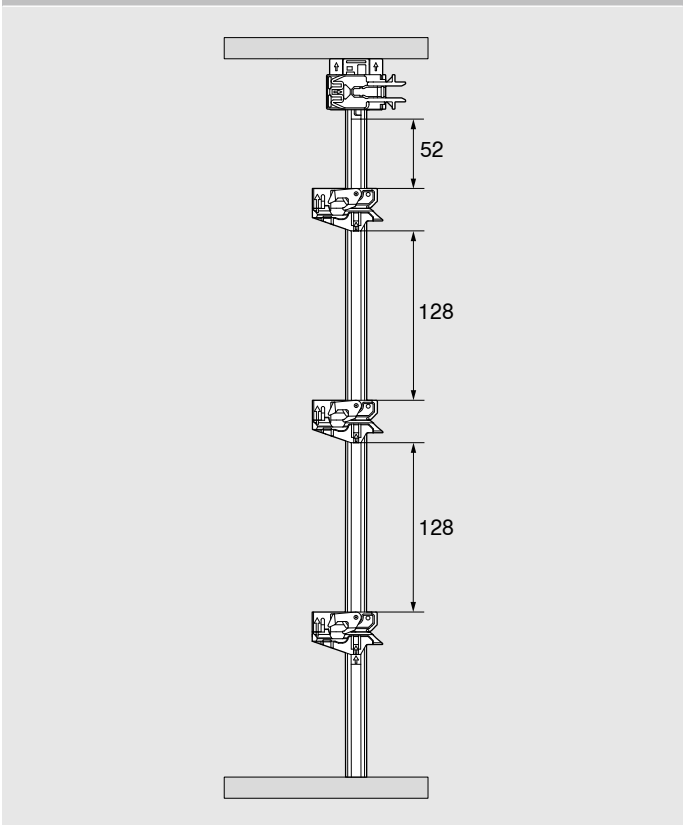
Front heights, gaps and installation dimensions for front locking bracket



Fixing position of cabinet profiles



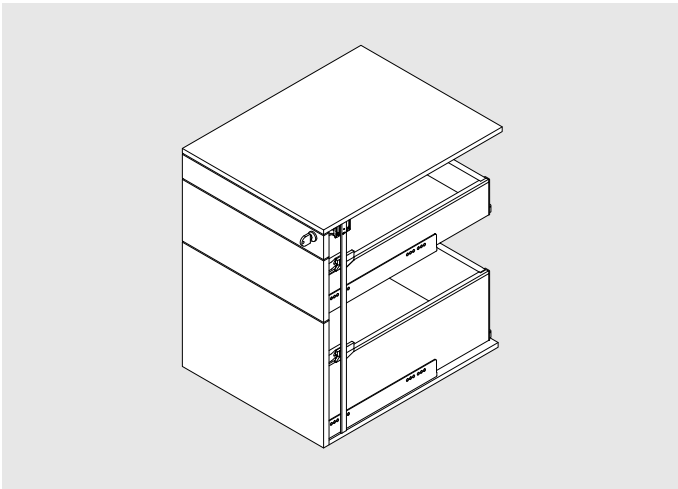
Length of spacers



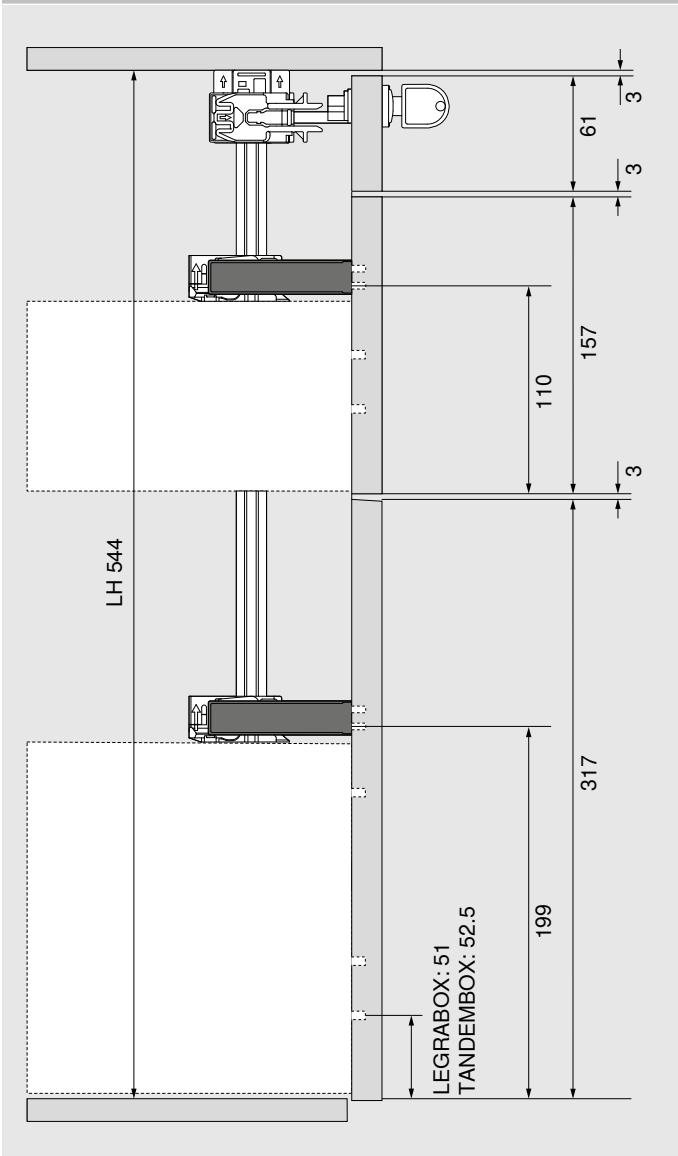


Planning

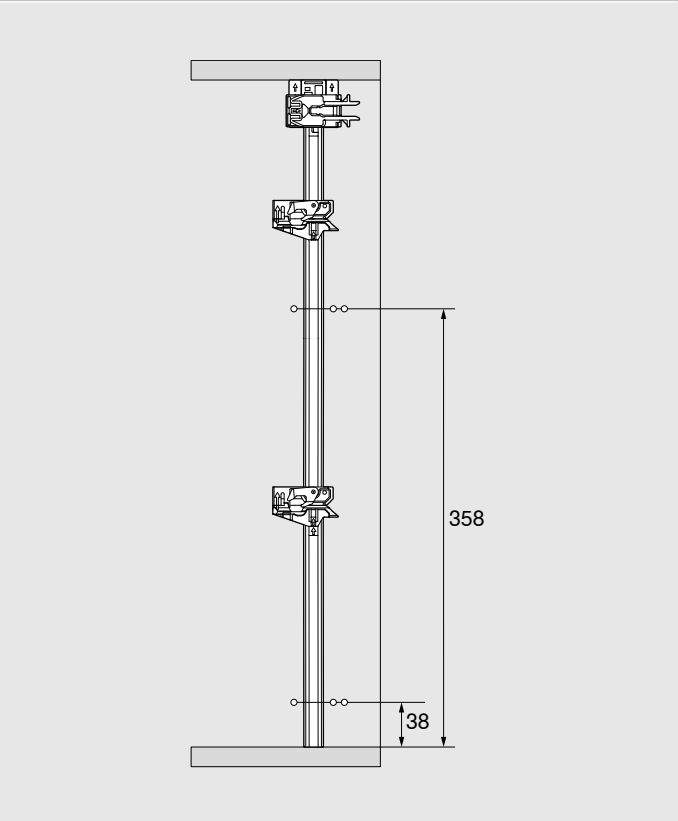
Locking bar set right – ready-made – C | M



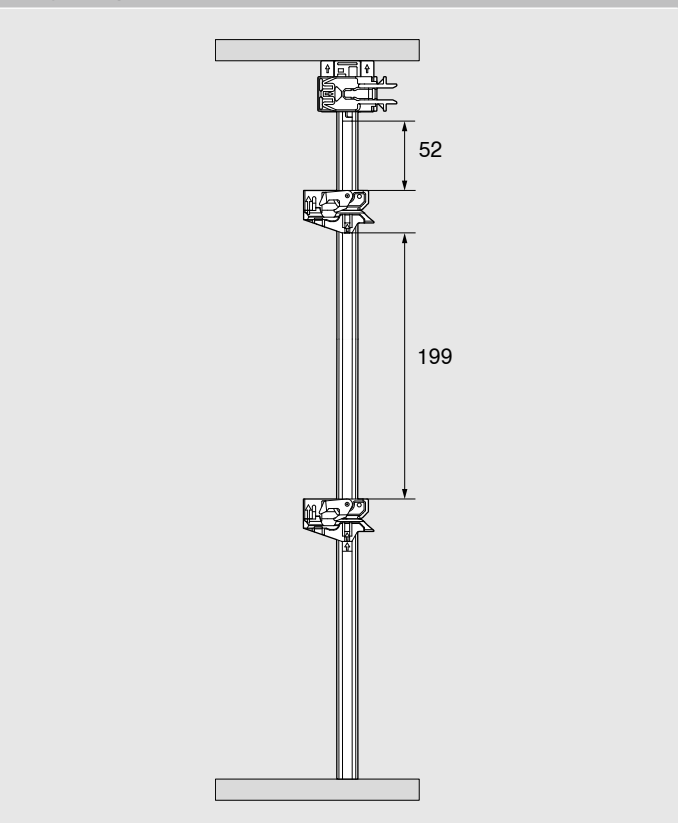
Front heights, gaps and installation dimensions for front locking bracket



Fixing position of cabinet profiles

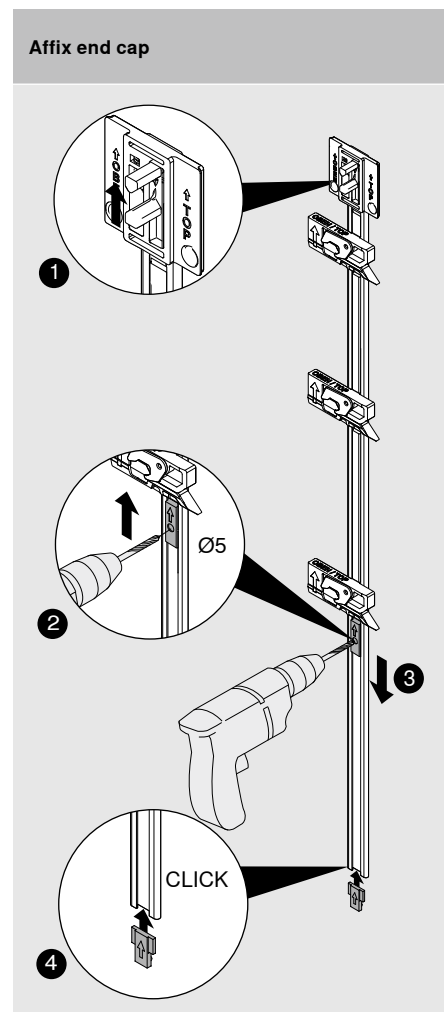
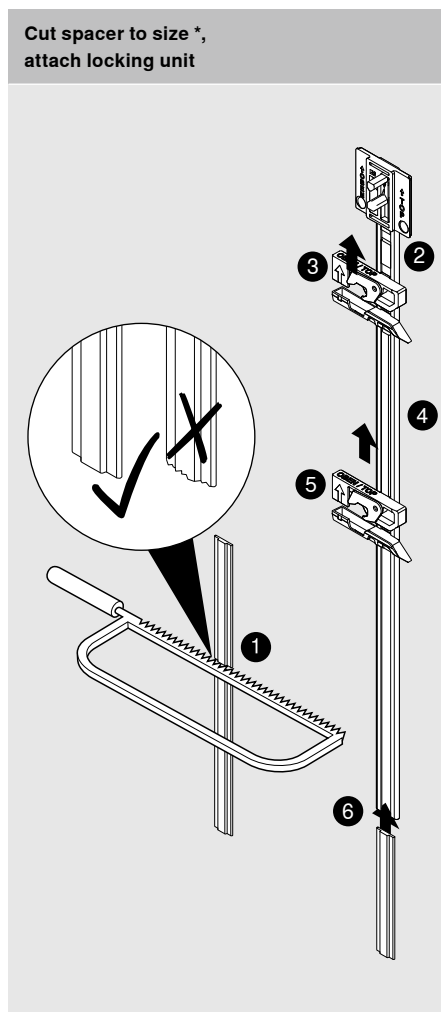
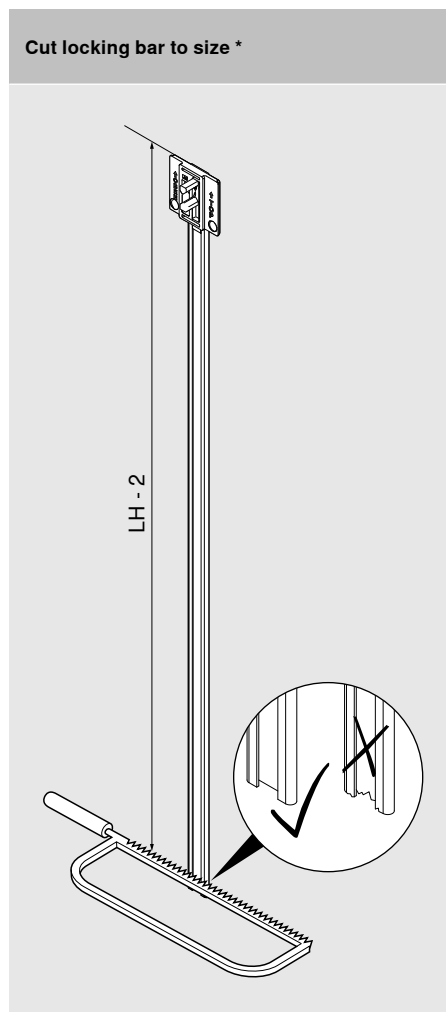


Length of spacers

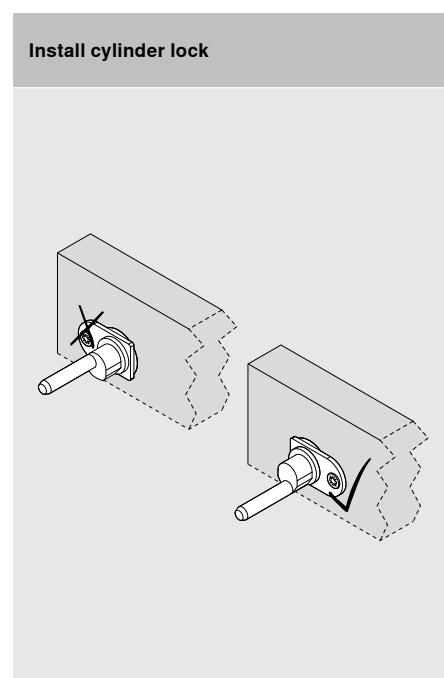
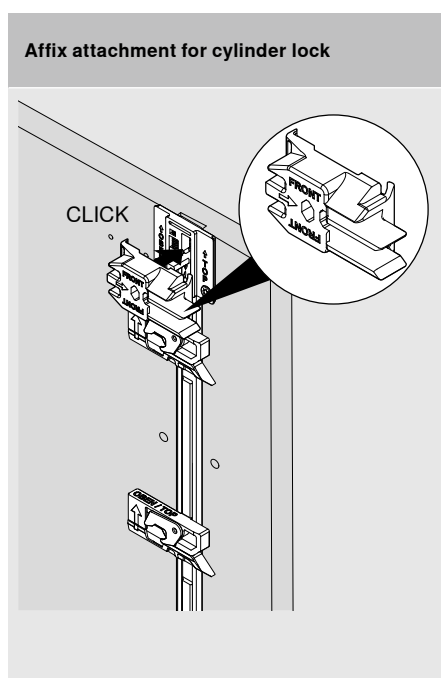
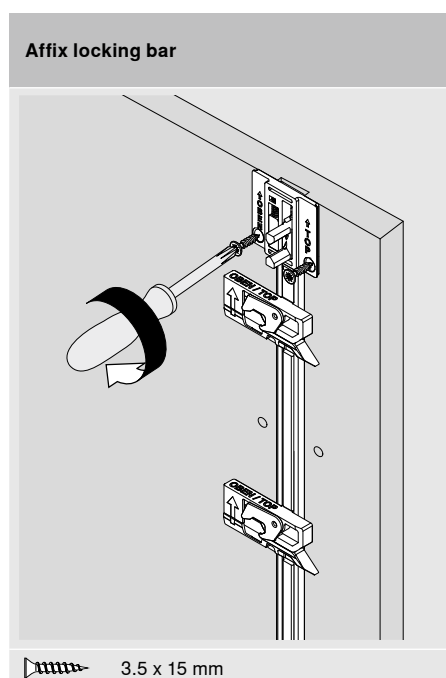


## Assembly

### Locking bar, locking unit and cylinder lock



\* We recommend using the cutting-to-size template 65.0801 for precise sizes (see page 13).



## Assembly

### Front locking bracket and synchronisation

<p><b>Front piece for front locking bracket</b></p> <p> 3.5 x 15 mm</p>	<p><b>Front locking bracket and cover cap</b></p>	<p><b>Attachment for synchronisation</b></p> <p> 3.5 x 15 mm</p>
<p><b>Cut synchronisation linkage to size *</b></p> <p>* We recommend using the cutting-to-size template 65.0801 for precise sizes (see page 13).</p>	<p><b>Slide on synchronisation levers</b></p>	<p><b>Insert synchronisation linkage</b></p>
<p><b>Fasten synchronisation levers</b></p>	<p><b>Assembly</b></p> <p><b>Pull-outs</b></p>	<p><b>Removal</b></p> <p><b>Pull-outs</b></p>





# moving ideas

We believe that ideas can move the world. We offer innovative fittings, inspiring furniture concepts and appropriate services so that you can turn your creative ideas into reality. We are driven by your needs, international trends and our shared vision of a better quality of living. Let us work together to create moving ideas.



## Quality of living

We would like you to enjoy greater convenience and functionality when using furniture.



## Product range

Everything from a single source: our wide range of products allows you to keep up with today's and tomorrow's trends.



## Inspiration

We monitor global trends and strive to create the solutions of tomorrow. We like to share our insights with you.



## Innovation

We stay in motion. Curiosity and pioneering spirit drive us to develop new products and services for you.



## Services

We support your daily operations with customised services tailored to your processes.



## Quality

We continuously strive to improve our products, services and ourselves.



## Trust

We take responsibility for partnerships, our employees, society and the environment.

Julius Blum started our journey in 1952 with horseshoe studs. Today we supply innovative fittings to customers in over 120 countries.

Blum Vietnam Co., Ltd  
Ground Floor  
Saigon Mansion Building  
No.3 Vo Van Tan Street  
Vo Thi Sau Ward  
Dist.3, HCM City  
Vietnam  
Tel.: +84 28 3822 3304  
Email: info.bvn@blum.com

1st Floor, CT2 Building  
Trang An Complex  
No.1 Phung Chi Kien Street  
Nghia Do Ward  
Cau Giay District, Hanoi  
Vietnam  
Tel.: +84 24 3359 5999  
Email: info.bvn@blum.com

Julius Blum GmbH  
Furniture Fittings Mfg.  
6973 Höchst, Austria  
Tel.: +43 5578 705-0  
Fax: +43 5578 705-44  
E-mail: info@blum.com  
www.blum.com

Our sites in Austria, Poland and China are certified to the international standards mentioned below.  
Our site in the USA is certified to ISO 9001.  
Our site in Brazil is certified to ISO 9001, ISO 14001 and ISO 45001.



Look for our  
FSC™-certified  
products

All content is copyrighted by Blum.  
Subject to technical modifications and changes to the range without notice.  
IDNR: 000.000.0 - EP-283/6 EN-VN/03.23