



Perfecting your doors

with Blum hinges

A high-angle photograph showing a person in an orange uniform and white shirt closing a white cabinet door. The person's hands are visible, reaching up to the door. The cabinet is white with a grey frame. The floor is made of light-colored wood. The scene is brightly lit, creating soft shadows.

Silent and effortless closing



Our extensive hinge programme offers designers, architects and homeowners the right solution for every door. Blum hinges are available for many different opening angles and applications. They can be used with different door heights, thicknesses and materials as well as with glass and mirror doors. The easy three-dimensional hinge setting feature makes it easy to get a uniform and precise gap design. Thanks to cover caps, adjustment and fixing screws are concealed.

With TIP-ON for doors, the mechanical opening support system for handle-less furniture, a light touch is all that's required and furniture doors swing open to a comfortable opening angle so that the handle-less front can be grasped and opened easily.

Doors close silently and effortlessly with BLUMOTION dampening. This technology is now integrated into the CLIP top BLUMOTION hinge and is invisible to the furniture user.

Content

- 4** CLIP top plus BLUMOTION
- 6** The adaptive system - controlling perfect motion
- 8** Added-value that benefits everyone
- 10** CLIP top hinges - Technical
- 18** Modul hinges - Technical
- 20** New: CLIP top BLUMOTION
- 24** TIP-ON for doors
- 31** Perfecting motion

CLIP top plus BLUMOTION



Ground-breaking function behind an attractive design

BLUMOTION satisfies the same high design standards that we set for our hinges.

CLIP top and BLUMOTION 973A work in perfect harmony - integrating both style and technology into one high-quality unit. This successful combination creates a door closing action that simply has to be experienced.



reddot design award
winner 2006



The adaptive system - controlling perfect motion



- ▶▶ Even doors that are closed with force...
- ▶ are brought to a gentle halt...
- ◻ and close silently and effortlessly.



Exceptional comfort through a highly adaptive system.

BLUMOTION's intelligent adaptive system reacts automatically to important factors such as door size, door weight and closing speed, and then brakes the motion of the door accordingly. The result is perfect closing motion every time. Silent and effortless.



A look behind the scenes at the BLUMOTION adaptive system:

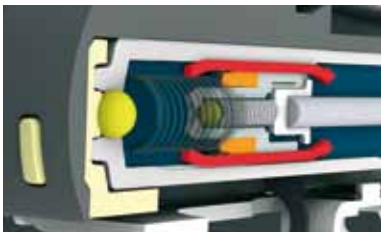
The braking element expands according to the force and this regulates the travel speed of the mechanism.

This technology enables BLUMOTION to adjust itself automatically to the each door size, weight and closing speed.

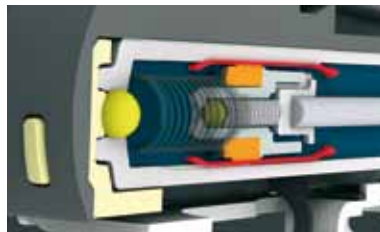
- Perfect closing motion everytime due to adaptability.
- The integrated overload safety feature protects the BLUMOTION system & hinge from damage through abuse.
- BLUMOTION lasts the lifetime of the furniture – ensuring that your customers remain satisfied.



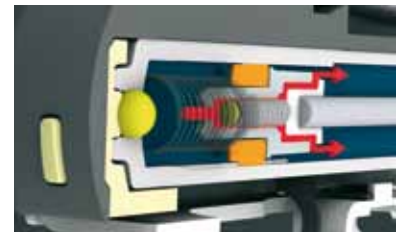
This is how the adaptive system works



Slow closing speed: The braking element expands slightly generating only modest resistance to the flow. The BLUMOTION effect is controlled via the flow speed and, in this case, remains low.



Fast closing speed: The braking element expands which constricts the flow channel to create greater resistance. This results in a strong BLUMOTION effect.



Closing speed that is too fast: The overload safety feature kicks in. The excessive force is diverted using an additional flow channel and both BLUMOTION and the hinge are protected from damage.

Added-value that benefits everyone



BLUMOTION 973A can be installed at any point during the production and sales process. This means that everyone – from manufacturer to dealer and retailer all the way to the end customer – can make the decision at any time whether or not they want to profit from the added value of the new BLUMOTION technology.

Manufacturing: Ideally doors should be equipped with BLUMOTION during the manufacturing process. In one simple work step the mechanism is attached onto the CLIP top or CLIP hinge.

Hinge and plate drilling depths and positions remain unchanged therefore there are no additional set-up costs.



Benefit: BLUMOTION, combined with Blum's well established quality, gives the consumer new benefits and peace of mind. Each time a door is closed they will be reminded of the exceptional quality of their furniture.



Sales: Even if BLUMOTION is left out of the furniture manufacturing process, it is still not too late to add it further down the distribution chain. Thanks to BLUMOTION 973A's easy assembly feature, you can surprise and inspire your customers during sales discussions. Your customers will be unable to resist once they have experienced a practical demonstration of the perfect motion.

Assembly: The consumer still has the option to include perfect motion even when the furniture is in their house. BLUMOTION 973A can be simply attached on to the pre-assembled hinges. In next to no time the transformation is complete!

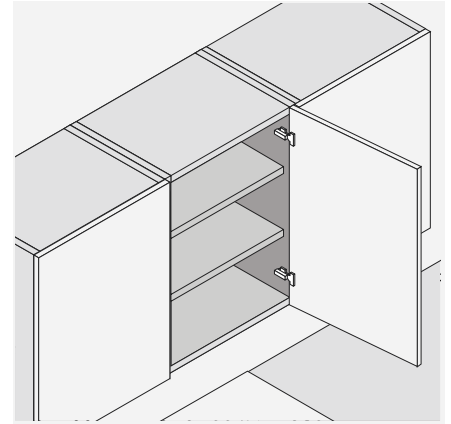


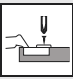
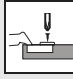
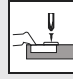
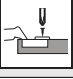
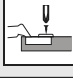
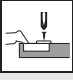
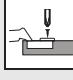
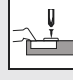
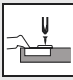
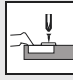



CLIP/CLIP top hinges

Standard application



- All metal hinge, nickel plated
- With convenient spiral-tech depth adjustment
- With or without closing mechanisms (spring)
- Tool-free door to cabinet assembly and removal
- 3-dimensional adjustment (with relevant mounting plate)
- With INSERTA tool-free hinge to door as assembly

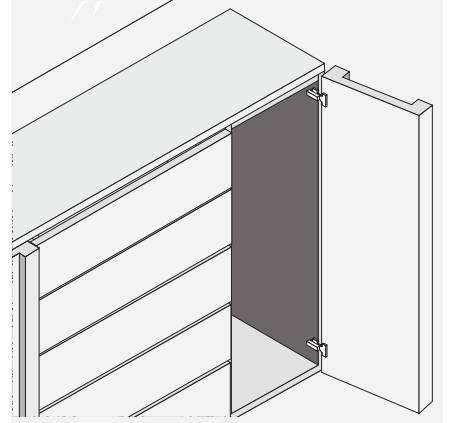


	Overlay application	Dual application	Inset application																		
CLIP top 107° opening angle	 <p>Screw-on Boss</p> <table border="1"> <tr> <td>Steel boss</td> <td>with spring</td> <td>75T1550</td> </tr> <tr> <td>Steel boss</td> <td>unsprung</td> <td>74T1550.TL</td> </tr> </table>	Steel boss	with spring	75T1550	Steel boss	unsprung	74T1550.TL	 <p>Screw-on Boss</p> <table border="1"> <tr> <td>Steel boss</td> <td>with spring</td> <td>75T1650</td> </tr> <tr> <td>Steel boss</td> <td>unsprung</td> <td>74T1650.TL</td> </tr> </table>	Steel boss	with spring	75T1650	Steel boss	unsprung	74T1650.TL	 <p>Screw-on Boss</p> <table border="1"> <tr> <td>Steel boss</td> <td>with spring</td> <td>75T1750</td> </tr> <tr> <td>Steel boss</td> <td>unsprung</td> <td>74T1750.TL</td> </tr> </table>	Steel boss	with spring	75T1750	Steel boss	unsprung	74T1750.TL
Steel boss	with spring	75T1550																			
Steel boss	unsprung	74T1550.TL																			
Steel boss	with spring	75T1650																			
Steel boss	unsprung	74T1650.TL																			
Steel boss	with spring	75T1750																			
Steel boss	unsprung	74T1750.TL																			
CLIP top 120° opening angle	 <p>Screw-on Boss</p> <table border="1"> <tr> <td>Steel boss</td> <td>with spring</td> <td>71T5550</td> </tr> <tr> <td>Steel boss</td> <td>unsprung</td> <td>70T5550.TL</td> </tr> </table>	Steel boss	with spring	71T5550	Steel boss	unsprung	70T5550.TL	 <p>Screw-on Boss</p> <table border="1"> <tr> <td>Steel boss</td> <td>with spring</td> <td>71T5650</td> </tr> <tr> <td>Steel boss</td> <td>unsprung</td> <td>70T5650.TL</td> </tr> </table>	Steel boss	with spring	71T5650	Steel boss	unsprung	70T5650.TL							
Steel boss	with spring	71T5550																			
Steel boss	unsprung	70T5550.TL																			
Steel boss	with spring	71T5650																			
Steel boss	unsprung	70T5650.TL																			
CLIP 100° opening angle	 <p>Screw-on Boss</p> <table border="1"> <tr> <td>Steel boss</td> <td>with spring</td> <td>71M2550</td> </tr> <tr> <td>Steel boss</td> <td>unsprung</td> <td>70M2550.TL</td> </tr> </table>	Steel boss	with spring	71M2550	Steel boss	unsprung	70M2550.TL	 <p>Screw-on Boss</p> <table border="1"> <tr> <td>Steel boss</td> <td>with spring</td> <td>71M2650</td> </tr> <tr> <td>Steel boss</td> <td>unsprung</td> <td>70M2650.TL</td> </tr> </table>	Steel boss	with spring	71M2650	Steel boss	unsprung	70M2650.TL	 <p>Screw-on Boss</p> <table border="1"> <tr> <td>Steel boss</td> <td>with spring</td> <td>71M2750</td> </tr> <tr> <td>Steel boss</td> <td>unsprung</td> <td>70M2750.TL</td> </tr> </table>	Steel boss	with spring	71M2750	Steel boss	unsprung	70M2750.TL
Steel boss	with spring	71M2550																			
Steel boss	unsprung	70M2550.TL																			
Steel boss	with spring	71M2650																			
Steel boss	unsprung	70M2650.TL																			
Steel boss	with spring	71M2750																			
Steel boss	unsprung	70M2750.TL																			
CLIP 107° opening angle	 <p>Screw-on Boss</p> <table border="1"> <tr> <td>Steel boss</td> <td>with spring</td> <td>75M1550</td> </tr> </table>	Steel boss	with spring	75M1550	 <p>Screw-on Boss</p> <table border="1"> <tr> <td>Steel boss</td> <td>with spring</td> <td>75M1650</td> </tr> </table>	Steel boss	with spring	75M1650													
Steel boss	with spring	75M1550																			
Steel boss	with spring	75M1650																			
BLUMOTION 973A for CLIP & CLIP top hinges	 <table border="1"> <tr> <td>Steel</td> <td>nickel-plated</td> <td>973A0500.01</td> </tr> </table>	Steel	nickel-plated	973A0500.01	 <table border="1"> <tr> <td>Steel</td> <td>nickel-plated</td> <td>973A0600</td> </tr> </table>	Steel	nickel-plated	973A0600	 <table border="1"> <tr> <td>Steel</td> <td>nickel-plated</td> <td>973A0700</td> </tr> </table>	Steel	nickel-plated	973A0700									
Steel	nickel-plated	973A0500.01																			
Steel	nickel-plated	973A0600																			
Steel	nickel-plated	973A0700																			

Thick/profile door application



- 95° opening angle
- Hinge for thick doors and doors with profile
- All metal hinge, nickel plated
- With convenient spiral-tech depth adjustment
- With or without closing mechanisms (spring)
- Tool-free door to cabinet assembly and removal
- 3-dimensional adjustment (with relevant mounting plate)
- With INSERTA tool-free hinge to door as assembly



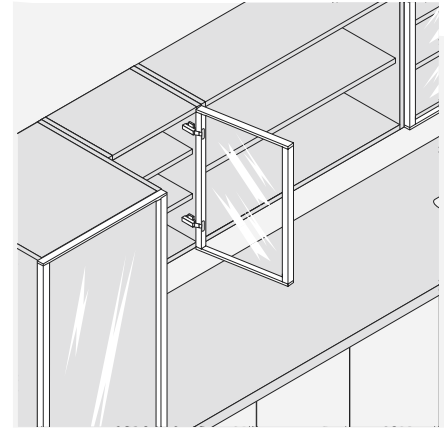
	Overlay application			Dual application			Inset application		
CLIP top 95° opening angle	Screw-on Boss			Screw-on Boss			Screw-on Boss		
	Steel boss	with spring	71T9550	Steel boss	with spring	71T9650	Steel boss	with spring	71T9750
	Steel boss	unsprung	70T9550.TL	Steel boss	unsprung	70T9650.TL	Steel boss	unsprung	70T9750.TL
BLUMOTION 973A for CLIP & CLIP top hinges									
	Steel	nickel-plated	973A0500.01	Steel	nickel-plated	973A0600	Steel	nickel-plated	973A0700

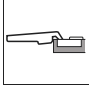
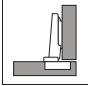
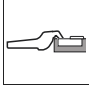
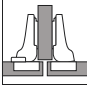
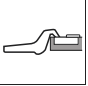
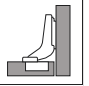
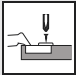
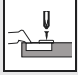


CLIP top hinges

Aluminium/glass door application



- Hinge for narrow alu frame doors
- With convenient spiral-tech depth adjustment
- With or without closing mechanisms (spring)
- Tool-free door to cabinet assembly and removal
- 3-dimensional adjustment (with relevant mounting plate)
- Boss fixing screws are included

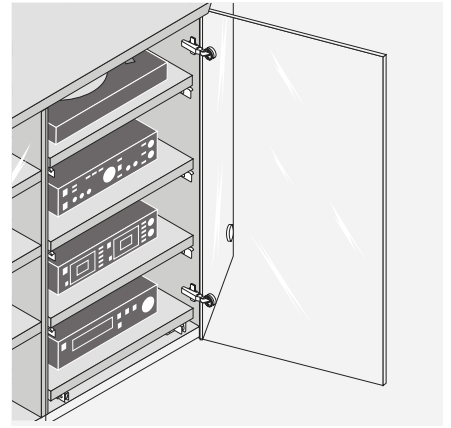


	Overlay application  			Dual application  			Inset application  		
CLIP top 120° opening angle	 Screw-on Boss			 Screw-on Boss			For inset application, use hinges for twin application and a 9-mm spaced mounting plate.		
	Zinc boss	with spring	73T550A	Zinc boss	with spring	71T560A			
	Zinc boss	unsprung	72T550A.TL						
BLUMOTION 970A									
	Hinge side	Nylon	970A1002	Hinge side	Nylon	970A1002			

Glass door application



- Glass door hinge
- For glass thickness of 4,5 to 7 mm
- With convenient spiral-tech depth adjustment
- With closing mechanisms (spring)
- Tool-free door to cabinet assembly and removal
- 3-dimensional adjustment (with relevant mounting plate)
- Boss fixing screws are included



	Overlay application			Dual application			Inset application		
CLIP top 94° opening angle	Screw-on Boss			Screw-on Boss			Screw-on Boss		
	Nylon boss	with spring	75T4100	Nylon boss	with spring	75T4200	Nylon boss	with spring	75T4300
BLUMOTION 973A for CLIP & CLIP top hinges									
	Zinc	nickel-plated	971Axxxx	Steel	nickel-plated	970A1002	Steel	nickel-plated	970A1002

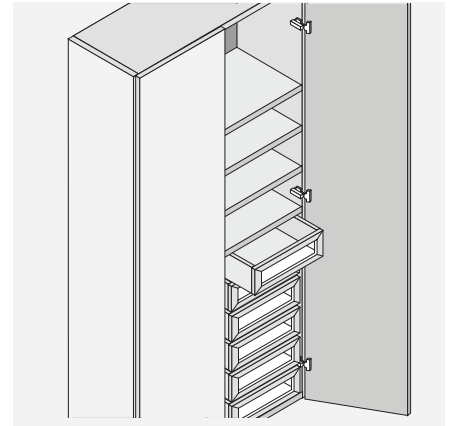
a Accessories - general	
Boss cover cap	
Material	Nylon
black gold-plated chrome-plated matt nickel	
	84.4140

CLIP top hinges

CLIP top wide angle application



- For cabinets with inner drawers or pull-outs (overlay application)
- All metal hinge, nickel-plated
- 155° opening angle
- With convenient spiral-tech depth adjustment
- With or without closing mechanism (spring)
- Tool-free door to cabinet assembly and removal
- Three-dimensional adjustment (with relevant mounting plate)
- With INSERTA tool free hinge to door assembly



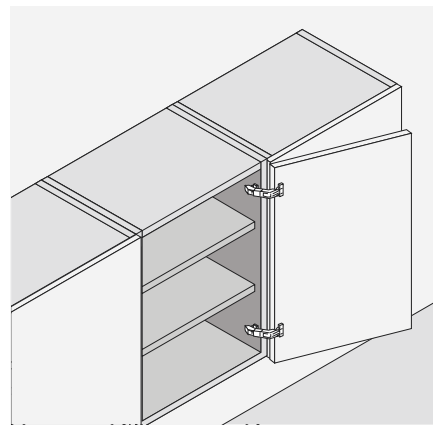
	Overlay application	Dual application	Inset application												
CLIP top 155° opening angle	 Screw-on Boss <table border="1"> <tr> <td>Zinc boss</td> <td>with spring</td> <td>71T7500N</td> </tr> <tr> <td>Zinc boss</td> <td>unsprung</td> <td>70T7500NTL</td> </tr> </table>	Zinc boss	with spring	71T7500N	Zinc boss	unsprung	70T7500NTL	 Screw-on Boss <table border="1"> <tr> <td>Zinc boss</td> <td>with spring</td> <td>71T7600N</td> </tr> <tr> <td></td> <td></td> <td></td> </tr> </table>	Zinc boss	with spring	71T7600N				 For inset application, use hinges for twin application and a 9-mm spaced mounting plate.
Zinc boss	with spring	71T7500N													
Zinc boss	unsprung	70T7500NTL													
Zinc boss	with spring	71T7600N													
BLUMOTION 973A	 <table border="1"> <tr> <td>Zinc</td> <td>nickel-plated</td> <td>973A7000</td> </tr> </table>			Zinc	nickel-plated	973A7000									
Zinc	nickel-plated	973A7000													
Mitred applications	 Screw-on Boss <table border="1"> <tr> <td>Mounting plate</td> <td>0 mm</td> <td></td> </tr> <tr> <td colspan="3">Hinge for dual applications</td> </tr> </table>	Mounting plate	0 mm		Hinge for dual applications				Adjustment <table border="1"> <tr> <td>max ± 3.0 mm See mounting plates</td> <td>± 2.0 mm</td> <td>+ 3.0 mm - 2.0 mm</td> </tr> </table>	max ± 3.0 mm See mounting plates	± 2.0 mm	+ 3.0 mm - 2.0 mm			
Mounting plate	0 mm														
Hinge for dual applications															
max ± 3.0 mm See mounting plates	± 2.0 mm	+ 3.0 mm - 2.0 mm													

Surrounding mitred applications up to a 19 mm front thickness

CLIP top wide angle application



- All metal hinge, nickel-plated
- 170° opening angle
- With convenient spiral-tech depth adjustment
- With or without closing mechanism (spring)
- Tool-free door to cabinet assembly and removal
- Three-dimensional adjustment (with relevant mounting plate)
- With INSERTA tool free hinge to door assembly



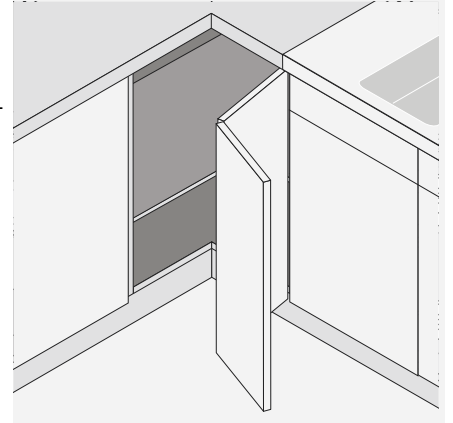
	Overlay application	Dual application	Inset application											
CLIP top 170° opening angle														
	Screw-on Boss	Screw-on Boss												
	<table border="1"> <tr> <td>Steel boss</td> <td>with spring</td> <td>71T6550</td> </tr> <tr> <td>Nylon boss</td> <td>unsprung</td> <td>70T6550</td> </tr> </table>	Steel boss	with spring	71T6550	Nylon boss	unsprung	70T6550	<table border="1"> <tr> <td>Steel boss</td> <td>with spring</td> <td>71T6650</td> </tr> <tr> <td>Steel boss</td> <td>unsprung</td> <td>70T6650</td> </tr> </table>	Steel boss	with spring	71T6650	Steel boss	unsprung	70T6650
Steel boss	with spring	71T6550												
Nylon boss	unsprung	70T6550												
Steel boss	with spring	71T6650												
Steel boss	unsprung	70T6650												
BLUMOTION 973A for CLIP & CLIP top hinges														
	Zinc	nickel-plated	973A6000											

CLIP top hinges

Corner bi-fold application

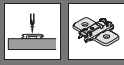


- Special hinge for corner cabinets with bi-fold doors
- For door thickness from 15 to 23 mm, factory setting for 19 mm door thickness
- For use in combination with 155° or 170° hinge
- All metal hinge, nickel-plated
- 60° opening angle
- Easy gap and depth adjustment using the spiral tech feature
- With closing mechanism (spring)
- Tool-free door to cabinet assembly and removal
- Three-dimensional adjustment with relevant mounting plate)



	Overlay application	Dual application	Inset application
CLIP top 60° opening angle	Screw-on Boss		
	Zinc boss	with spring	79T8500
BLUMOTION 970A			
	Hinge side	Nylon	970A1002

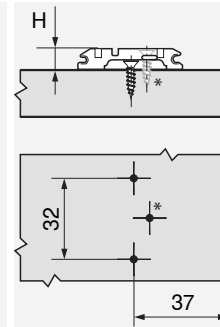
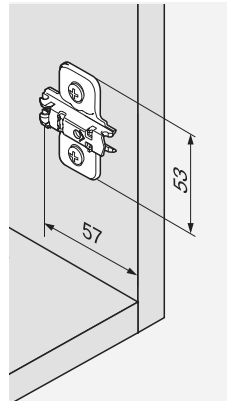
Mounting plates for CLIP/CLIP top



Cruciform mounting plate



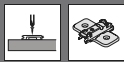
- Material steel, nickel-plated
- Fixing with chipboard screws \varnothing 3.5 and \varnothing 4 mm
- With height adjustment \pm 3 mm
- Recommended screw length 17 mm



H - Height

* Fix with additional screw if used with wide angle hinges

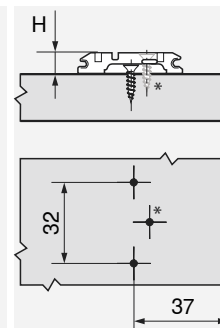
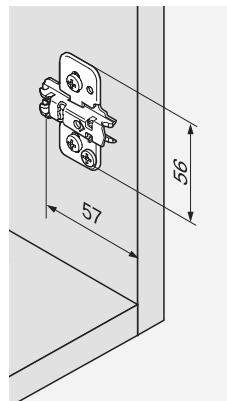
Spacing	Height	Part no.
0 mm	8.5 mm	173L6100
3 mm	11.5 mm	173L6130



Cruciform cam mounting plate



- Material steel, nickel-plated
- Fixing with chipboard screws \varnothing 3.5 and \varnothing 4 mm
- With cam height adjustment \pm 2 mm



H - Height

* Fix with additional screw if used with wide angle hinges

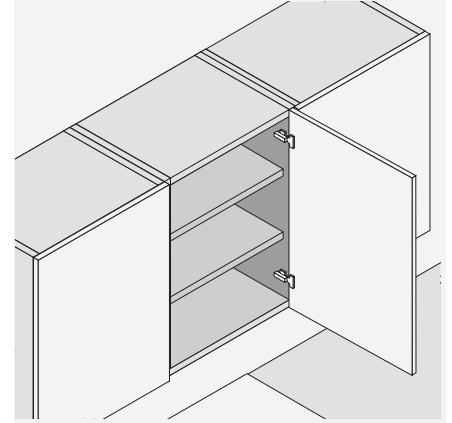
Spacing	Height	Part no.
0 mm	8.5 mm	173H7100
3 mm	11.5 mm	173H7130

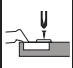
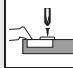
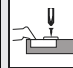
Modul hinges

Modul standard hinge application

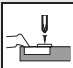
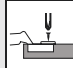


- All metal hinge, nickel-plated
- For use in combination with 155° or 170° hinge
- With closing mechanism (spring)
- Slide on hinge arm
- Three-dimensional adjustment with relevant mounting plate)

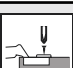
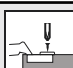


	Overlay application	Dual application	Inset application
CLIP top 100° opening angle	 Screw-on Boss	 Screw-on Boss	 Screw-on Boss
	Steel boss	Steel boss	Steel boss
	with spring	with spring	with spring
	91M2550	91M2650	91M2750



	Overlay application	Dual application
CLIP top 107° opening angle	 Screw-on Boss	 Screw-on Boss
	Steel boss	Steel boss
	with spring	with spring
	95M1550	95M1650

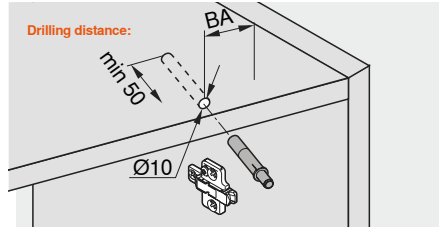


	Overlay application	Dual application	Inset application
CLIP top 170° opening angle	 Screw-on Boss	 Screw-on Boss	
	Steel boss	Steel boss	
	with spring	with spring	
	91A6550	91A6650	For inset application, use hinges for twin application and a 9-mm spaced mounting plate.

BLUMOTION for Modul



BLUMOTION 970A	
RAL 7037 dust grey	Part No.
Nylon	970A1002



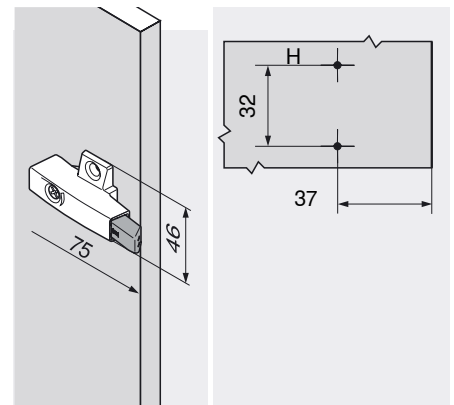
- BLUMOTION - perfect movement, quiet and easy
- For use with Blum hinges
- For drilling, or in combination with adapter plates

Assembly position and number required:
BLUMOTION 970A is for location on the hinge side, and guarantees perfect motion even for angled hinges. The hole for BLUMOTION 970A needs to be drilled into the cabinet top. The correct position is set using the drilling distance (BA). If the BLUMOTION effect is insufficient, we recommend installing an additional BLUMOTION 970A in the bottom.



BLUMOTION 971A	
Construction height	Part No.
25 mm	971A0500
33 mm	971A2500

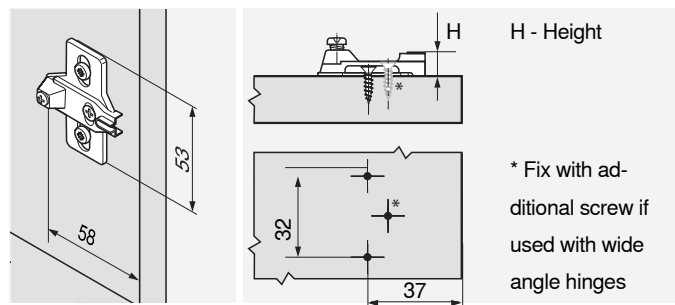
- Material: zinc, nickel plated
- Fixing with chipboard screws $\varnothing 3.5$ or $\varnothing 4$ mm



Cruciform mounting plate



- Material: steel, nickel-plated
- Fixing with chipboard screws $\varnothing 3.5$ or $\varnothing 4$ mm
- With height adjustment ± 3 mm
- Recommended screw length 17 mm



Spacing	Height	Part no.
0 mm	8.3 mm	193L6100
3 mm	11.3 mm	193L6130

New: CLIP top BLUMOTION

BLUMOTION integrated into the hinge boss

With CLIP top BLUMOTION, you have “everything inside:” Because BLUMOTION, our function for silent and effortless closing action, is integrated into the boss.

Precise movement like clockwork – the integrated BLUMOTION is a technical masterpiece that fits into the smallest space providing silent and effortless closing action for furniture doors.

CLIP top BLUMOTION is designed to open and close 200,000 times: for fascinating quality of motion – for the lifetime of the furniture.

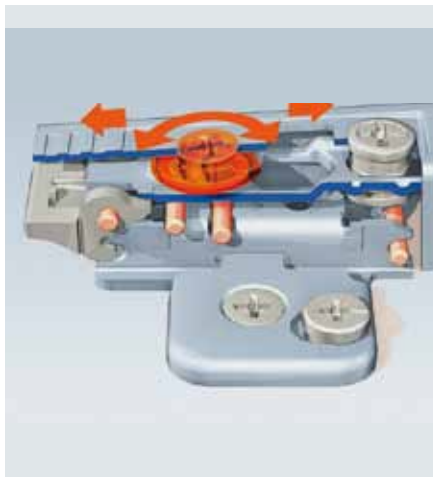


Silent and effortless, that's how furniture doors close with BLUMOTION – regardless of the front weight or closing speed. Due to the ideal relationship between the closing mechanism and BLUMOTION, a gentle push is all that's required for closing – even for small and light doors.

For high quality of motion for small or light doors, the BLUMOTION function on one of the two hinges, can be easily deactivated. Simply slide the switch on the hinge boss, then close the door once. Deactivation is now complete.

With the new 110° hinge, you can now implement thicker doors up to 24 mm – depending on the application. The new pivoting point ensures that during the opening process, the door does not foul on the cabinet face. As a consequence of this ingenious new geometry, it is possible to achieve a smaller door gap. Thicker doors can also be accommodated.

CLIP top BLUMOTION is extremely user friendly.
This provides many advantages for assembly and adjustment.



CLIP

The tried and tested CLIP mechanism stands for simple, tool-free hinge assembly.

- You can continue to use existing mounting plates.
- The drilling pattern for the hinge boss remains unchanged for CLIP top BLUMOTION, a 13 mm drilling depth is sufficient.
- The new INSERTA mechanism enables tool-free fixing of the hinge to the door.

CLIP top

Tops when it comes to adjustment: Like other CLIP top hinges, CLIP top BLUMOTION enables easy, 3-dimensional adjustment via an infinitely variable spiral screw depth adjustment and a cam height adjustment for different mounting plates.

CLIP top BLUMOTION

Because the BLUMOTION function is now integrated into the hinge, additional assembly processes are no longer necessary after adjustment is complete.



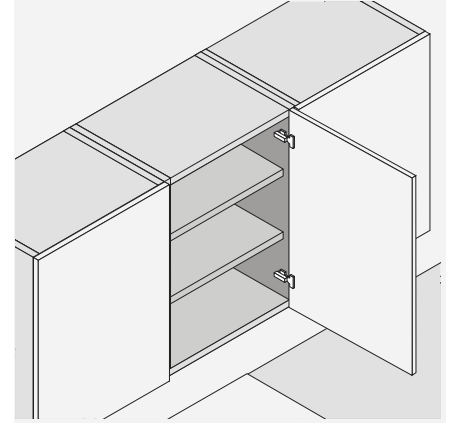
Discover our new CLIP top BLUMOTION hinge. Ask for CLIP top BLUMOTION brochure.

CLIP top BLUMOTION

CLIP top BLUMOTION standard application

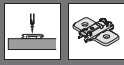


- With integrated BLUMOTION (with deactivation option)
- Compatible with existing mounting plates
- All metal hinge, nickel-plated
- 110° opening angle
- With convenient spiral-tech depth adjustment
- With closing mechanism (spring)
- Tool free door to cabinet assembly and removal
- Three-dimensional adjustment (with relevant mounting plate)
- With INSERTA tool free hinge to door assembly

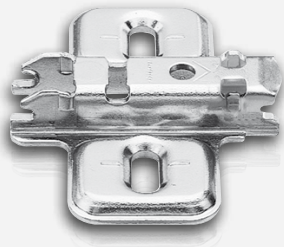


				Overlay application		Dual application		Inset application		
CLIP top 110° opening angle				Screw-on Boss					Screw-on Boss	
	Steel boss	with spring	71B3550	Steel boss	with spring	71B3650	Steel boss	with spring	71B3750	

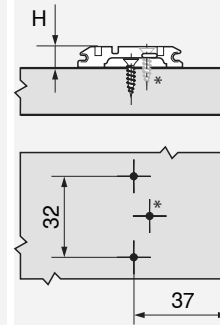
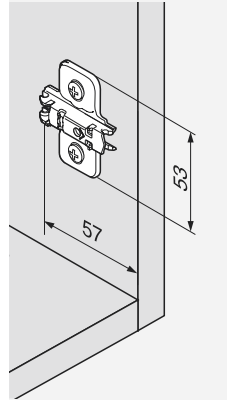
Mounting plates for CLIP top BLUMOTION



Cruciform mounting plate



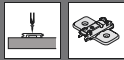
- Material steel, nickel-plated
- Fixing with chipboard screws \varnothing 3.5 and \varnothing 4 mm
- With height adjustment \pm 3 mm
- Recommended screw length 17 mm



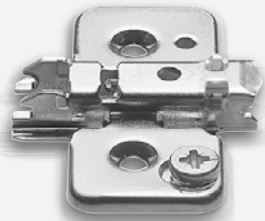
H - Height

* Fix with additional screw if used with wide angle hinges

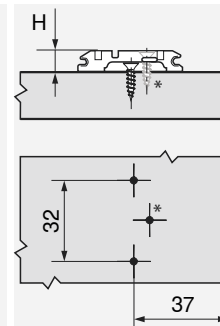
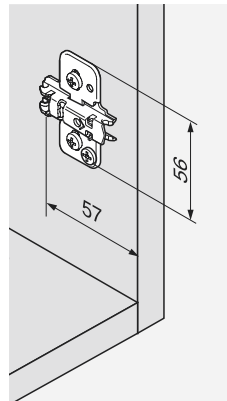
Spacing	Height	Part no.
0 mm	8.5 mm	173L6100
3 mm	11.5 mm	173L6130



Cruciform cam mounting plate



- Material steel, nickel-plated
- Fixing with chipboard screws \varnothing 3.5 and \varnothing 4 mm
- With cam height adjustment \pm 2 mm



H - Height

* Fix with additional screw if used with wide angle hinges

Spacing	Height	Part no.
0 mm	8.5 mm	173H7100
3 mm	11.5 mm	173H7130

TIP-ON for doors



Easy opening with just a touch

Handle-less doors can be opened easily with TIP-ON – a light touch is all that's needed.

The door then opens at an angle that is comfortable for the furniture user. In other words: It gives you a good view of the cabinet's interior without limiting the furniture user's freedom of motion.



Closing with a magnetic effect

To close the door, it can be lightly pressed shut or closed with a light swing.

The TIP-ON magnet works with a catch plate to ensure secure closing – even when closed with force.

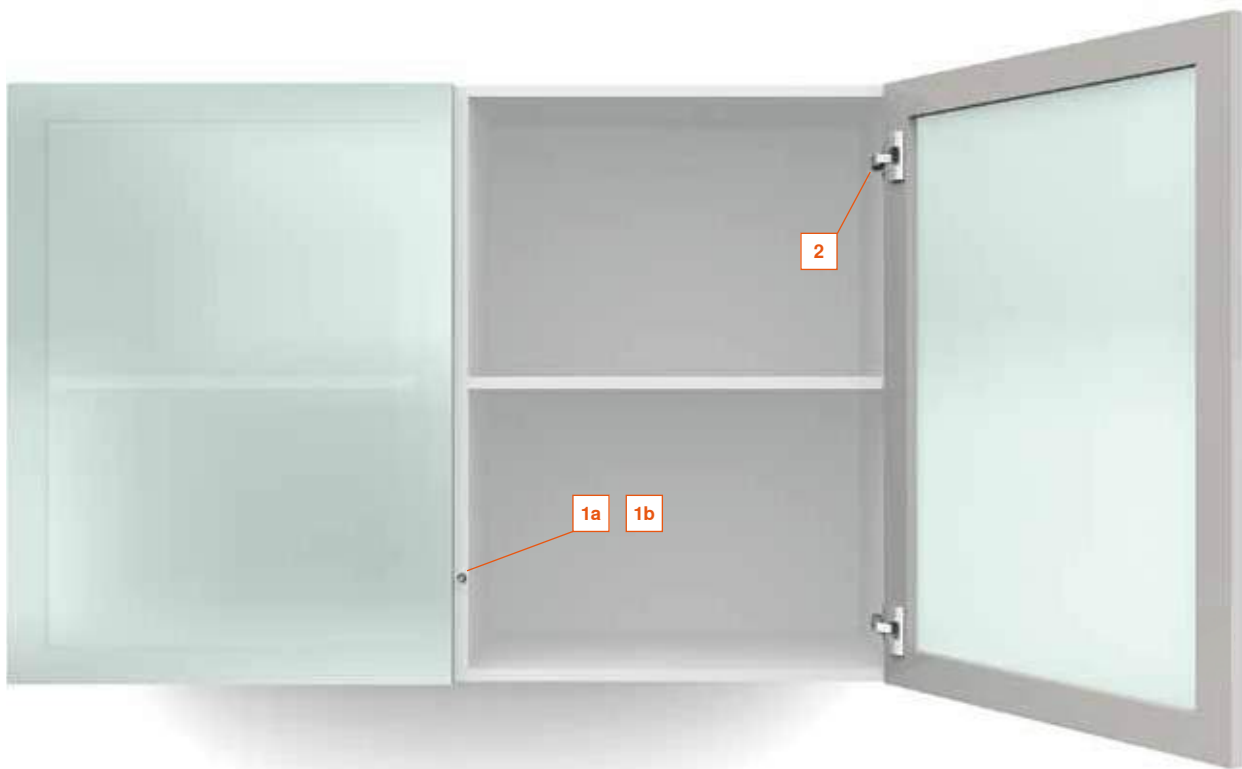


TIP-ON – user-friendly and high quality

- The TIP-ON mechanism remains undamaged when the door is pulled open by hand.
- The TIP-ON mechanism is made of high-quality components and will last for the lifetime of the furniture.

Components and assembly

High quality
down to the last detail



1a The TIP-ON unit can be attached to the cabinet end panel.



1b The TIP-ON unit can also be attached to the cabinet interior using adapter plates (horizontal or cruciform versions available).



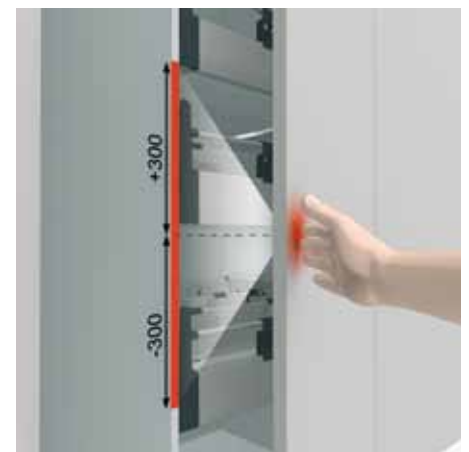
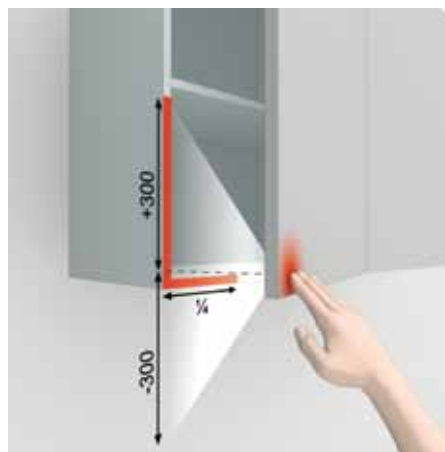
2 Unsprung CLIP top hinges are used for TIP-ON for doors.

For every door the right solution

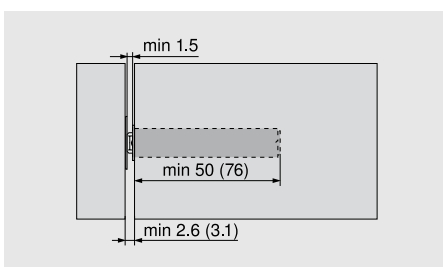
The TIP-ON programme offers the right TIP-ON unit for every application.

The standard version is used for overlay doors and the extended version is used for high cabinets and inset doors. Both versions can be drilled into the cabinet end panel or attached using adapter plates:

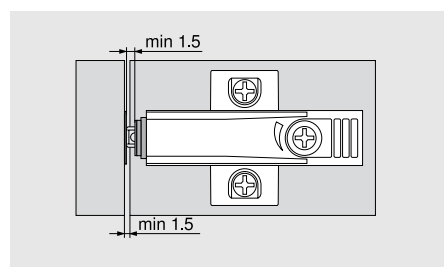
- Drill and insert the TIP-ON unit or attach using an adapter plate
- Fix catch plate to the door
- Adjust door gap (when assembling with adapter plate)



Optimal opening support is ensured when the TIP-ON unit is attached in the actual handle position. This can deviate ± 300 mm in the height and up to a quarter of the cabinet width along the horizontal plane.



For the drilling version, a min. door gap of 2.6 mm should be planned when using the self-adhesive catch plate. The screw-on catch plate requires a min. of 3.1 mm.



For adapter plate assembly (horizontal or cruciform adapter plate), the door gap can be adjusted to a min. of 1.5 mm.


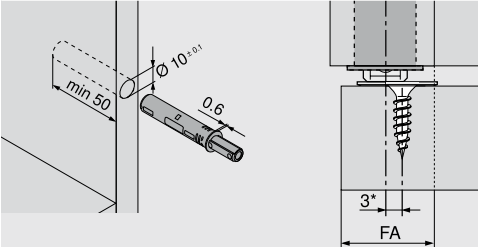


Horizontal and cruciform adapter plates can be adjusted using a spiral screw (from $+4,5/-1,5$ mm). The factory setting of the door gap is 2 mm.


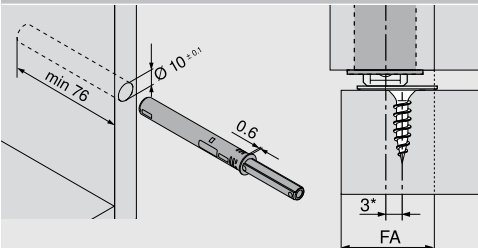
Order specification


TIP-ON components and assembly devices

For standard overlay doors*

TIP-ON „Standard“		
	For drilling $\varnothing 10 \times 50$ mm	955.1002
	RAL 7037 nylon, dust grey	955.1008S
	With magnet	
	Incl. self-adhesive and screw-on catch plates	
	opening distance approx. 18 mm	
* for doors with a height less than approx. 1300 mm		
Planning		
	Attention: TIP-ON do not glue	
	* For the screw-on catch plate we recommend a 3 mm displaced positioning to TIP-ON.	

For inset doors and high cabinet doors*

TIP-ON "extended version"		
	For drilling $\varnothing 10 \times 76$ mm	955A1002
	RAL 7037 nylon, dust grey	955.1008S
	With magnet	
	Incl. self-adhesive and screw-on catch plates	
	opening distance approx. 38 mm	
* for doors higher than approx. 1300 mm and inset doors		
Planning		
	Attention: TIP-ON do not glue	
	* For the screw-on catch plate we recommend a 3 mm displaced positioning to TIP-ON.	

Assembly devices		
	Drilling jig	65.5010
	For panel drilling TIP-ON	
	Positioning template for adhesive plate	65.5210
	for finding the position of the screw on or adhesive plate	
Drilling jig		

For "Standard" and "extended version"

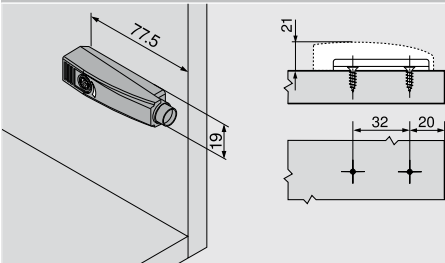
TIP-ON horizontal adapter plate



Screw-on, 20/32
 RAL 7036 nylon, platinum grey
 Fixing with Ø 3.5 mm or Ø 4 mm chipboard screws
 Factory setting: 2 mm door gap
 TIP-ON must be ordered separately

955.1201

Planning



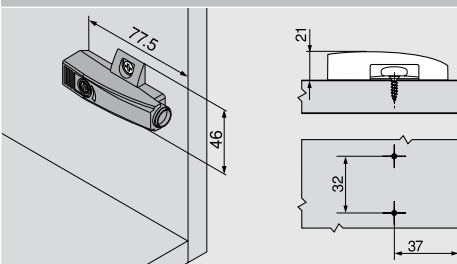
TIP-ON cruciform adapter plate



Screw-on, 37/32
 RAL 7036 nylon, platinum grey
 Fixing with Ø 3.5 mm or Ø 4 mm chipboard screws
 Factory setting: 2 mm door gap
 TIP-ON must be ordered separately

955.1501

Planning



Assembly devices

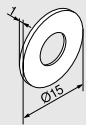
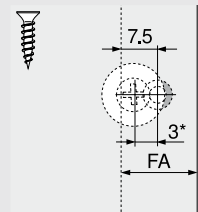
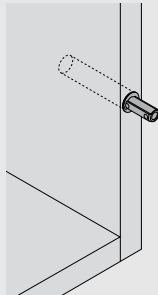
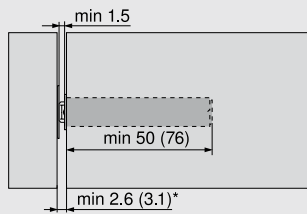


Template
 To pre-drill fixing positions of adapter plates.

65.5300

Assembly and adjustment

TIP-ON "Standard" and "extended version" for drilling

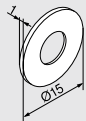
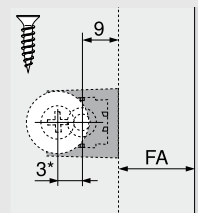
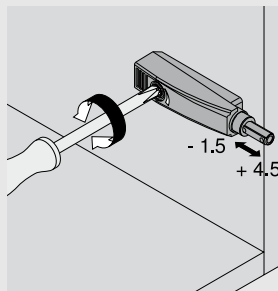
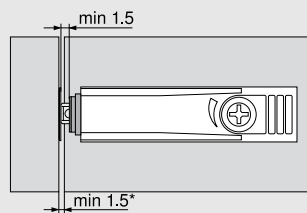


* min. 3.1 mm with screw-on catch plate

FA = front overlay

* For the screw-on catch plate we recommend a 3 mm displaced positioning to TIP-ON. For hard surfaces resp. MDF predrill Ø 2.5 mm or countersink if necessary.

TIP-ON horizontal adapter plate (20/32)

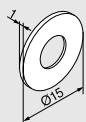
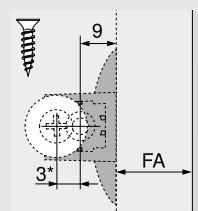
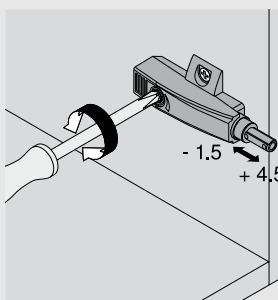
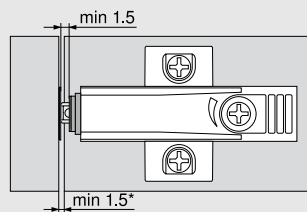


*Factory setting = 2 mm

FA = front overlay

* For the screw-on catch plate we recommend a 3 mm displaced positioning to TIP-ON. For hard surfaces resp. MDF predrill Ø 2.5 mm or countersink if necessary.

TIP-ON cruciform adapter plate (37/32)



*Factory setting = 2 mm

FA = front overlay

* For the screw-on catch plate we recommend a 3 mm displaced positioning to TIP-ON. For hard surfaces resp. MDF predrill Ø 2.5 mm or countersink if necessary.

Our understanding of perfect motion

Blum turns the opening and closing of furniture into an experience that significantly improves this experience within the kitchen. Several thousand employees are continually working worldwide implementing our concept of perfect motion. Within this process, we place the needs of the kitchen user as the focus of our actions. We are only satisfied when the kitchen user is satisfied. All of our partners who participate in the furniture making process profit from this focus.

For over 50 years, quality has been the highest principle for the development and manufacture of our products. Our fittings systems shout “high quality” with their superbly engineered function, recognised design and high durability. They are designed to inspire and trigger fascination for perfect motion. We also set the bar very high for the services we offer. They must provide the best possible support to our partners.

So that we can target our efforts at all levels, we are in a constant dialogue with kitchen users and regularly exchange information with furniture manufacturers, joiners and distributors.





Blum Fittings

For the lifetime of your kitchen

Julius Blum GmbH
Furniture Fittings Mfg
6973 Hoechst, Austria
Tel.: +43 5578 705-0
Fax: +43 5578 705-44
E-Mail: info@blum.com.com
www.blum.com | connect.blum.com

