



CLIP top BLUMOTION

Everything inside

connect.blum.com
<http://blumotion.blum.com>

Perfecting motion  **blum**[®]



CLIP top BLUMOTION is setting new benchmarks

High-tech for perfect motion

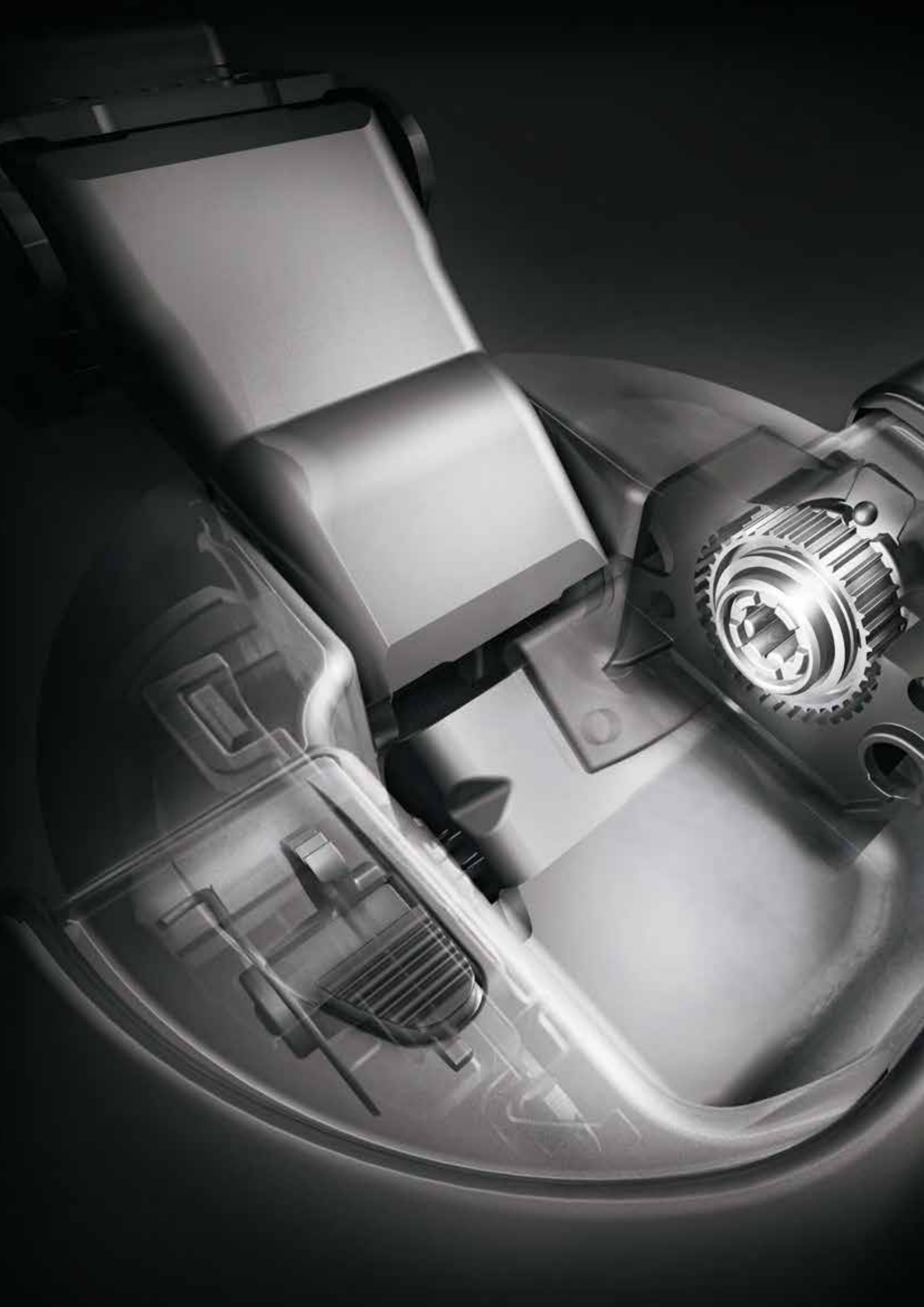


With CLIP top BLUMOTION, you have "everything inside." Because BLUMOTION, our function for silent and effortless closing action, is integrated into the boss.

Get to know the advantages of integrated BLUMOTION and discover the possibilities of the new CLIP top BLUMOTION hinge. Inspire your customers: With perfect motion, for all furniture doors, for the lifetime of the furniture.

Content

- 4 Integrated BLUMOTION
- 6 Silent and effortless closing action
- 8 BLUMOTION deactivation
- 10 New hinge pivoting point
- 12 Elegant design
- 14 Other advantages
- 16 Case studies
- 18 Assembly devices for CLIP top BLUMOTION
- 20 Ordering and planning information
- 58 Assembly and adjustment
- 60 The Blum brand



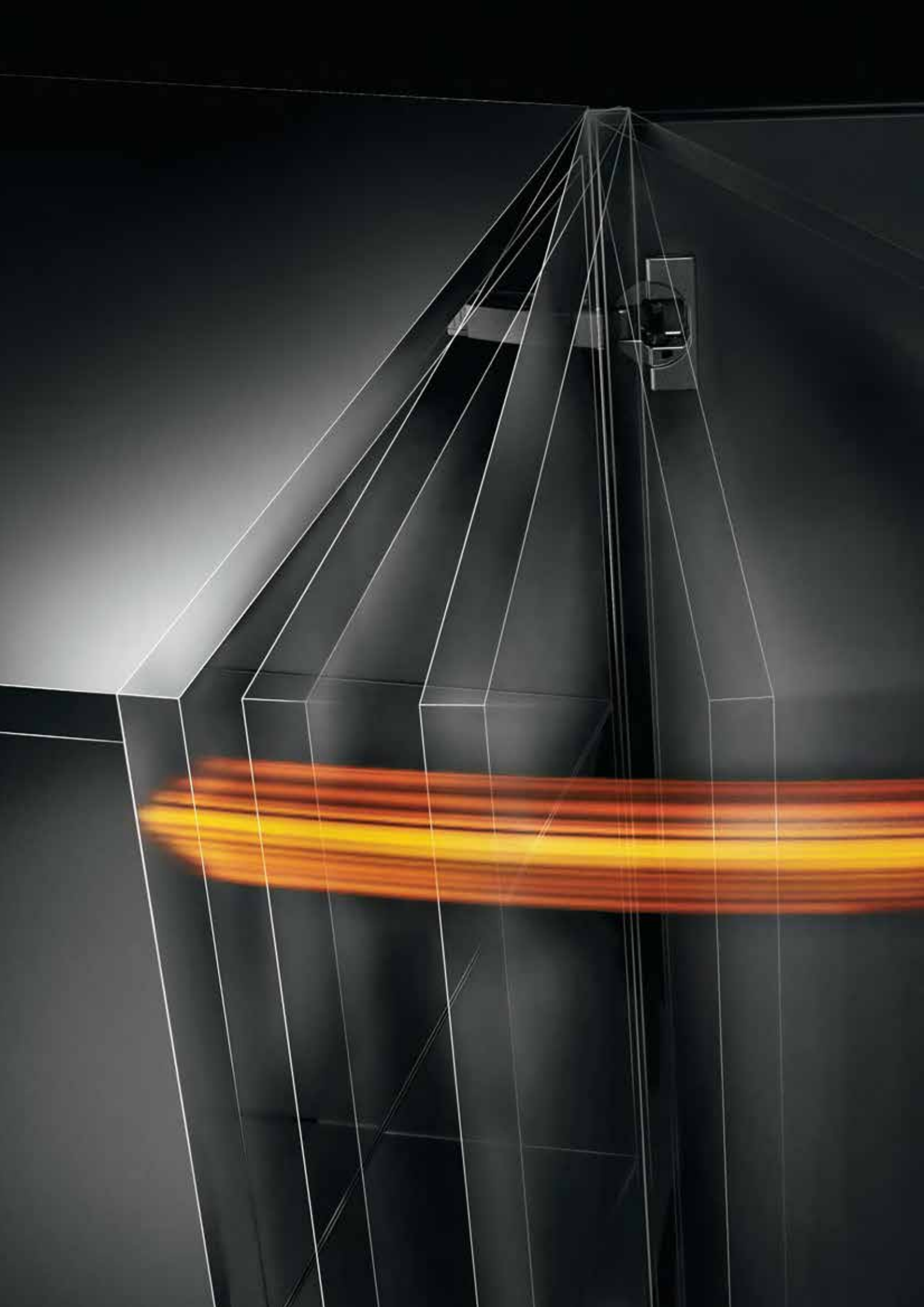
Innovative technology concentrated into the smallest space

BLUMOTION integrated

into the hinge boss

Precise movement like clockwork – the integrated BLUMOTION is a technical masterpiece that fits into the smallest space providing silent and effortless closing action for furniture doors.

CLIP top BLUMOTION is designed to open and close 200,000 times: for fascinating quality of motion – for the lifetime of the furniture.



BLUMOTION for silent and effortless closing action

Inspiring perfect motion

for **every** door

Silent and effortless, that's how furniture doors close with BLUMOTION – regardless of the front weight or closing speed.

Due to the ideal relationship between the closing mechanism and BLUMOTION, a gentle push is all that's required for closing – even for small and light doors.



A close-up, black and white photograph of a door hinge mechanism, showing the curved metal plates and the central pin. The lighting creates strong highlights and shadows, emphasizing the metallic texture and the smooth curves of the hinge.

Silent and effortless closing action also for small doors

BLUMOTION

deactivation option

For high quality of motion for small or light doors, the BLUMOTION function on one of the two hinges, can be easily deactivated.

Simply slide the switch on the hinge boss, then close the door once. Deactivation is now complete.



New hinge pivoting point for **thicker** doors

With the new 110° hinge, you can now implement thicker doors up to 24 mm – depending on the application. The new pivoting point ensures that during the opening process, the door does not foul on the cabinet face.

As a consequence of this ingenious new geometry, it is possible to achieve a smaller door gap. Thicker doors can also be accommodated.



A close-up photograph of a CLIP top BLUMOTION hinge, showing the metallic surface and the hinge mechanism. The image is positioned on the left side of the page, partially overlapping a dark vertical bar.

Elegant design for a high-quality look

Fascinating technology in a stylish body

Despite the sophisticated technology in the hinge boss, CLIP top BLUMOTION is no different in size and visible proportions from other CLIP top hinges.

And the elegant product design also highlights the high-quality character and look of CLIP top BLUMOTION.

Additional advantages of CLIP top BLUMOTION

Assembly

made easy



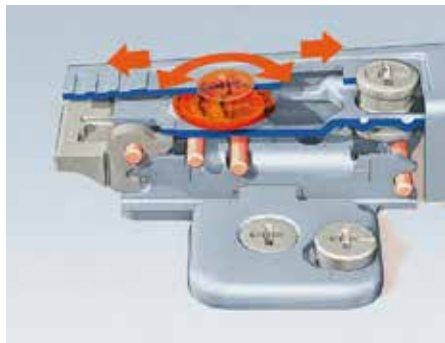
CLIP top BLUMOTION is extremely user friendly.
This provides many advantages for assembly and adjustment.



CLIP

The tried and tested CLIP mechanism stands for simple, tool-free hinge assembly.

- You can continue to use existing mounting plates.
- The drilling pattern for the hinge boss remains unchanged for CLIP top BLUMOTION, a 13 mm drilling depth is sufficient.
- The new INSERTA mechanism enables tool-free fixing of the hinge to the door.



CLIP top

Tops when it comes to adjustment: Like other CLIP top hinges, CLIP top BLUMOTION enables easy, 3-dimensional adjustment via an infinitely variable spiral screw depth adjustment and a cam height adjustment for different mounting plates.



CLIP top BLUMOTION

Because the BLUMOTION function is now integrated into the hinge, additional assembly processes are no longer necessary after adjustment is complete.

CLIP top BLUMOTION for more options



More choices when it comes to door thickness, by virtue of the new pivot points

Technology for different areas of application



For perfect motion for small doors, BLUMOTION only has to be activated on one hinge.



Gaining storage space: With the optimised 155° hinge.



Whether it's wood, wide or narrow alu frames – you have many options when it comes to materials.



CLIP top BLUMOTION can be used with almost any application, e.g. with an angled door.

Everything for that familiar, precise assembly

Updates to your existing assembly devices



All assembly devices and templates are available at www.blum.com.

Our machines and templates make CLIP top BLUMOTION assembly easy. You can continue to use existing assembly devices from Blum. There are either no or only minimal adjustments required. New machines & templates now contain all new settings and additional parts.

The following gives you an overview of which drilling and insertion machines as well as template settings need to be changed and whether or not additional parts are required.

Overview of new items

	Drilling depth stop	Set drilling depth	Insertion ram	Drill bit (Ø 35/Ø 8) without tip	Other
	required	required	Required if hinges are inserted	Required for material thicknesses < 16 mm	
Drilling and insertion machines					
PRO-CENTER/MINIPRESS PRO	MZK.2005¹⁾	at 13 mm	MZM.0040	M01.ZB35.OS M01.ZB08.OS	
MINIPRESS P/MINIPRESS M	M30.1304.01 M52.0909	at 13 mm	MZM.0040	M01.ZB35.OS M01.ZB08.OS	
Additional drilling head (MZK.9900)	MZK.9905				
Templates and assembly devices					
ECODRILL		at 13 mm			M31.1041.UM²⁾
Assembly devices					
Universal hand insertion tool for hinges					ZME.0710

¹⁾ Only in combination with drilling head MZK.2000 ²⁾ Only for INSERTA boss fixing



Do not use a hammer to insert the hinge into the drill hole.



CLIP top BLUMOTION 110° hinge

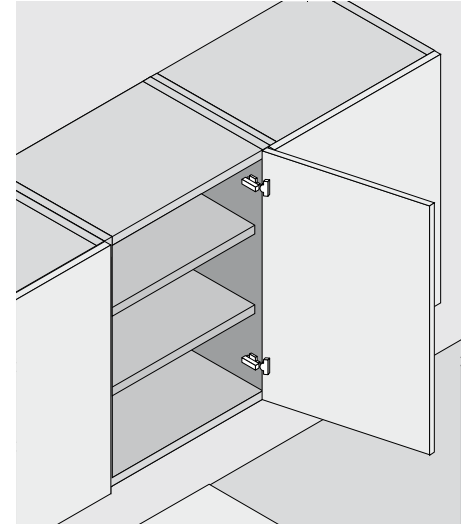
Product






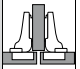

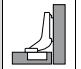
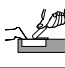
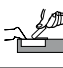
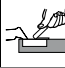
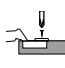
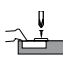
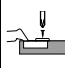
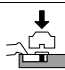

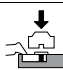

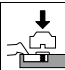







Description

- All metal hinge, nickel plated
- 110° opening angle
- With integrated **BLUMOTION**
- With **BLUMOTION** deactivation facility
- with convenient spiral-tech depth adjustment
- Compatible with existing mounting plates
- With closing mechanism (spring)
- Tool-free door to cabinet assembly and removal
- 3-dimensional adjustment (with relevant mounting plate)
- With **INSERTA** tool-free boss assembly

Application



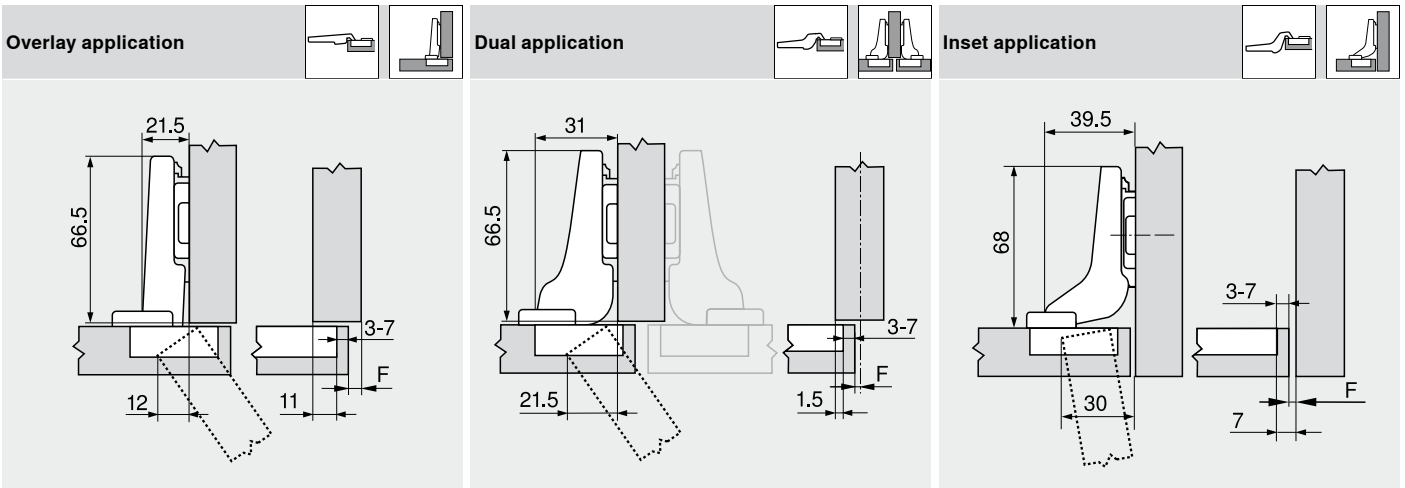
Order specification

Overlay application  		Dual application  		Inset application  	
 Boss INSERTA	Part No.	 Boss INSERTA	Part No.	 Boss INSERTA	Part No.
Steel boss with spring	71B3590	Steel boss with spring	71B3690	Steel boss with spring	71B3790
 Boss Screw-on		 Boss Screw-on		 Boss Screw-on	
Steel boss with spring	71B3550	Steel boss with spring	71B3650	Steel boss with spring	71B3750
 Boss Knock-in	 40	 Boss Knock-in	 40	 Boss Knock-in	 40
Steel boss with spring	MZM.0040	Steel boss with spring	MZM.0040	Steel boss with spring	MZM.0040
	71B3580		71B3680		71B3780
 Cover caps		 Cover caps		 Cover caps	
Steel	Nickel plated	Steel	Nickel plated	Steel	Nickel plated
Plain	70.1503	Plain	70.1663	Plain	70.1663
Stamped	Blum 70.1503.BP	Screen print	Blum 70.1663.BL	Screen print	Blum 70.1663.BL
Accessories					
 Chipboard screws for hinge boss fixing		 Boss cover cap for screw-on/knock-in boss		 Opening angle stop 86°	
3.5 x 15 mm	609.1500	Steel	Nickel plated 70T3504	Nylon	70T3553
3.5 x 17 mm	609.1700				

Planning

Hinge dimensions and gap calculation based on factory setting (mounting plate spacing = 0 mm)

Hinge and door protrusion at full opening angle



F Gap

Set mounting plate fixing position back by door thickness + 1.5 mm

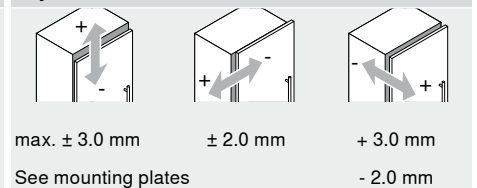
Drilling distance

	Front overlay																																																					
	5	6	7	8	9	10	11	12	13	14	15	16	17	18	Front overlay																																							
																			-4.5	-3.5	-2.5	-1.5	-0.5	0.5	1.5	2.5	3.5	4.5	5.5	6.5	7.5	8.5	Front overlay																					
0																																																						
3																																																						
6																																																						
9																																																						
↙ Mounting plate																																																						

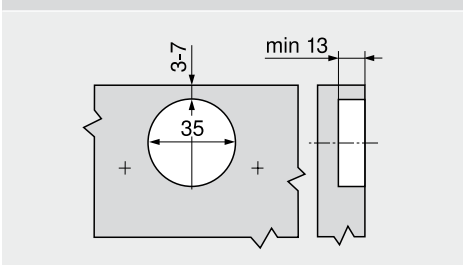
Minimum gap for doors with radiused edges (R = 1 mm) based on factory setting

Door thickness	Door thickness												
	16	18	19	20	21	22	23	24	25	26	28	30	32
3	0.5	0.8	1.0	1.2	1.5	1.8	2.2	2.7	3.5	4.3	A trial application is recommended		
4	0.5	0.8	1.0	1.2	1.4	1.7	2.0	2.5	3.1	3.8			
5	0.5	0.8	0.9	1.2	1.4	1.7	2.0	2.4	2.9	3.4			
6	0.5	0.8	0.9	1.2	1.3	1.6	1.9	2.3	2.7	3.2			
7	0.5	0.8	0.9	1.1	1.3	1.6	1.9	2.2	2.6	3.0			
Additional for + 2 mm side adjustment													
	+0.2	+0.4	+0.4	+0.5	+0.5	+0.5	+0.5	+0.5	+0.5	+0.5	+0.5	+0.5	

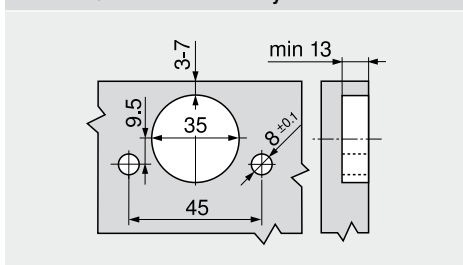
Adjustments



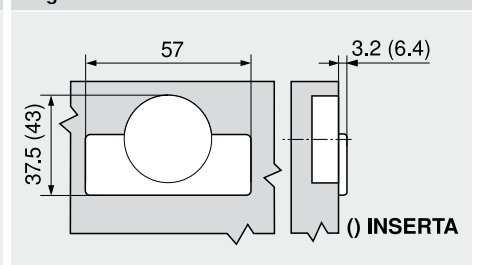
Screw-on



INSERTA / knock-in assembly



Hinge boss dimensions



CLIP top BLUMOTION 110° special hinge

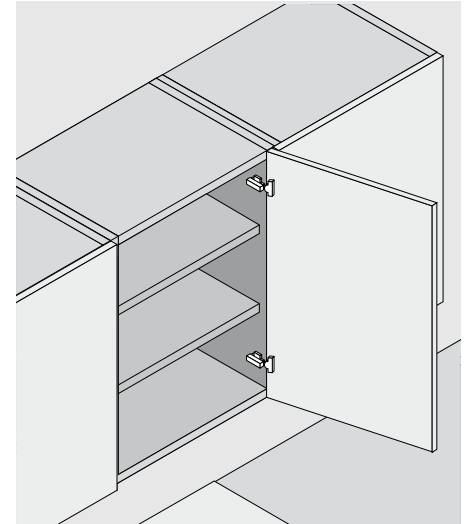
Product



Description

- All metal hinge, nickel plated
- Hinge with large overlay for thick cabinet sides
- 110° opening angle
- With integrated **BLUMOTION**
- With **BLUMOTION** deactivation facility
- with convenient spiral-tech depth adjustment
- Compatible with existing mounting plates
- With closing mechanism (spring)
- Tool-free door to cabinet assembly and removal
- 3-dimensional adjustment (with relevant mounting plate)
- With **INSERTA** tool-free boss assembly

Application



Order specification

Overlay application			
	Boss INSERTA		Part No.
Steel boss with spring			73B3590
	Boss Screw-on		
Steel boss with spring			73B3550
	Boss Knock-in		MZM.0040
Steel boss with spring			73B3580

Cover caps	
Steel	Nickel plated
Plain	70.1503
Stamped	Blum 70.1503.BP

Accessories

Chipboard screws for hinge boss fixing	
3.5 x 15 mm	609.1500
3.5 x 17 mm	609.1700

Boss cover cap for screw-on/knock-in boss	
Steel	Nickel plated 70T3504

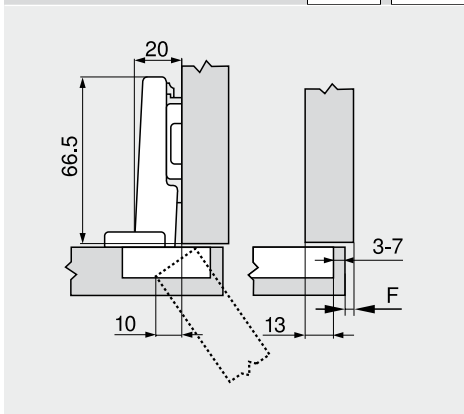
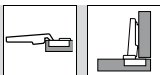
Opening angle stop 86°	
Nylon	70T3553

Planning

Hinge dimensions and gap calculation based on factory setting (mounting plate spacing = 0 mm)

Hinge and door protrusion at full opening angle

Overlay application



F Gap

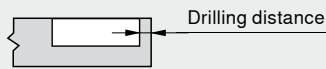
Drilling distance

	Front overlay																						
	7	8	9	10	11	12	13	14	15	16	17	18	19	20									
0											3	4	5	6	7								
3							3	4	5	6	7												
6				3	4	5	6	7															
9	3	4	5	6	7																		

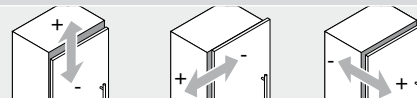
↑ Mounting plate

Minimum gap for doors with radiused edges (R = 1 mm) based on factory setting

Door thickness	Door thickness												
	16	18	19	20	21	22	23	24	25	26	28	30	32
3	0.5	0.8	1.0	1.2	1.5	1.8	2.2	2.7	3.5	4.3	A trial application is recommended		
4	0.5	0.8	1.0	1.2	1.4	1.7	2.0	2.5	3.1	3.8			
5	0.5	0.8	0.9	1.2	1.4	1.7	2.0	2.4	2.9	3.4			
6	0.5	0.8	0.9	1.2	1.3	1.6	1.9	2.3	2.7	3.2			
7	0.5	0.8	0.9	1.1	1.3	1.6	1.9	2.2	2.6	3.0			
Additional for + 2 mm side adjustment													
	+0.2	+0.4	+0.4	+0.5	+0.5	+0.5	+0.5	+0.5	+0.5	+0.5	+0.5	+0.5	+0.5

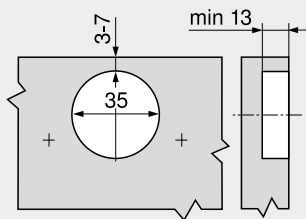


Adjustments

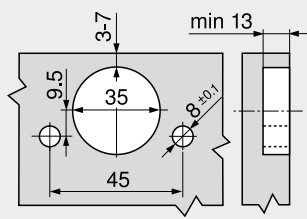


max. ± 3.0 mm ± 2.0 mm + 3.0 mm
See mounting plates - 2.0 mm

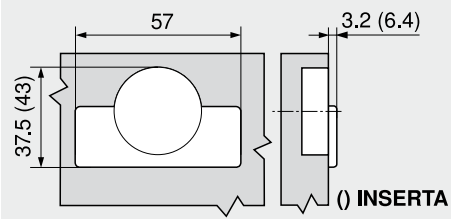
Screw-on



INSERTA / knock-in assembly



Hinge boss dimensions



() INSERTA

CLIP top 155° hinge

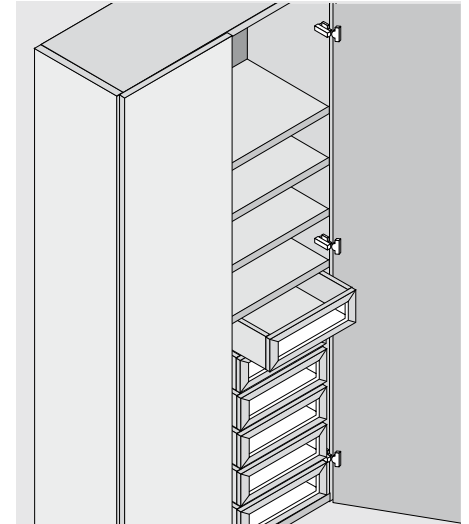
Product



Description

- All metal hinge, nickel plated
- 155° opening angle
- For cabinets with inner drawers or pull-outs
- with convenient spiral-tech depth adjustment
- Compatible with existing mounting plates
- With or without closing mechanism (spring)
- Tool-free door to cabinet assembly and removal
- 3-dimensional adjustment (with relevant mounting plate)
- With **INSERTA** tool-free boss assembly

Application



Order specification

Overlay application 0-protrusion hinge			
	Boss INSERTA		Part No.
Zinc boss with spring			71T7540N
Zinc boss unsprung			70T7540NTL

Dual application			
	Boss INSERTA		Part No.
Zinc boss with spring			71T7640N

Inset application			
Use hinges for a dual application and a 9 mm spaced mounting plate			

Boss Screw-on			
Zinc boss with spring			71T7500N
Zinc boss unsprung			70T7500NTL

Boss Screw-on			
Zinc boss with spring			71T7600N

Boss Knock-in				
Zinc boss with spring			MZM.0040	71T7530N

		BLUMOTION 973A	
			973A7000

		BLUMOTION 973A	
			973A7000

Accessories			
	Chipboard screws for hinge boss fixing		
3.5 x 15 mm			609.1500
3.5 x 17 mm			609.1700

		Cover caps	
Steel	Nickel plated		
Plain			70.7503
Screen print			70.7503.BL
No cover cap is required when using BLUMOTION 973A.			

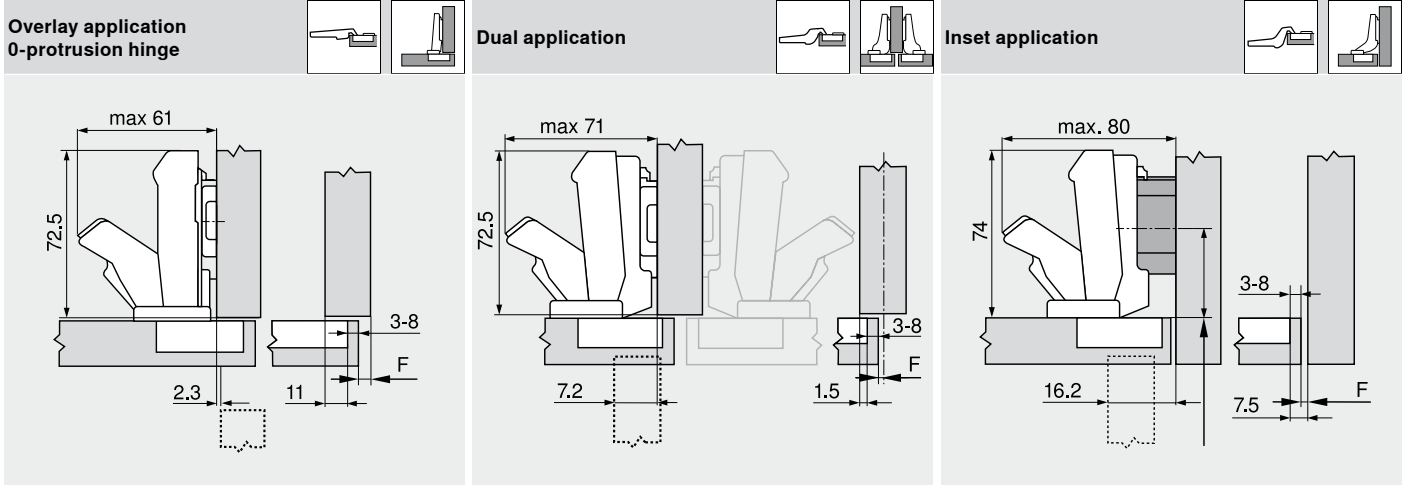
		Cover caps	
Steel	Nickel plated		
Plain			70.7503
Screen print			70.7503.BL
No cover cap is required when using BLUMOTION 973A.			

		Opening angle stop 110°	
Nylon			70T7503N

Planning

Hinge dimensions and gap calculation based on factory setting (mounting plate spacing = 0 mm or 9 mm)

Door protrusion for 90° opening angle



F Gap

Set mounting plate fixing position back by door thickness + 1.5 mm

Drilling distance

	Front overlay																		
	5	6	7	8	9	10	11	12	13	14	15	16	17	18	19				
0											3	4	5	6	7	8			
3							3	4	5	6	7	8							
6				3	4	5	6	7	8										
9	3	4	5	6	7	8													

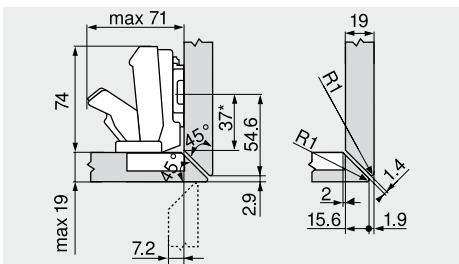
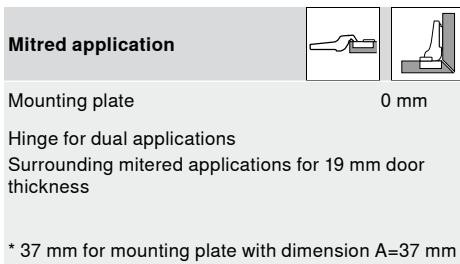
Mounting plate

	Front overlay																		
	-4.5	-1.5	-0.5	0.5	1.5	2.5	3.5	4.5	5.5	6.5	7.5	8.5	9.5						
0																			
3							3	4	5	6	7	8							
6				3	4	5	6	7	8										
9				3	6	7	8												

Mounting plate

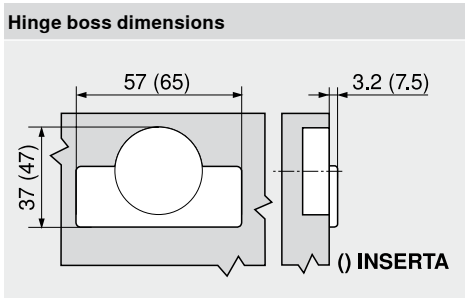
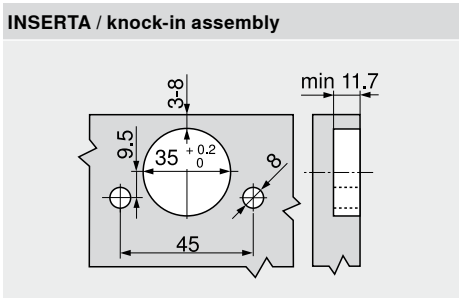
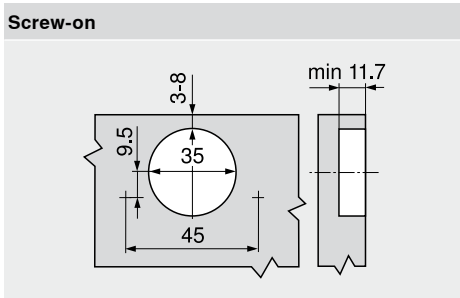
	Front overlay										
	-4.5	-3.5	-2.5	-1.5	-0.5						
0											
3											
6											
9											

Mounting plate



Minimum gap for doors with radiused edges (R = 1 mm) based on factory setting

For doors up to 24 mm thick no gap is required. We recommend a trial application for door thicknesses more than 24 mm or an application adjacent to the wall.



CLIP top BLUMOTION Profile door hinge

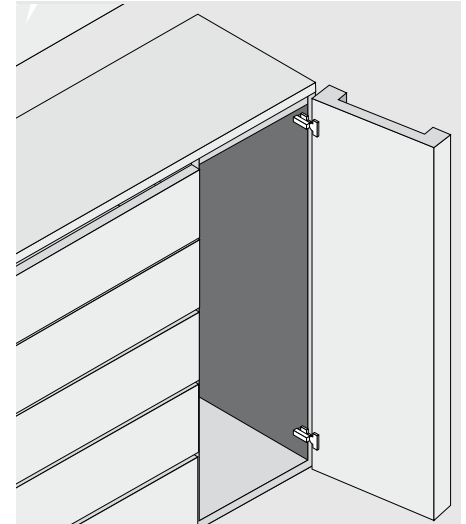
Product




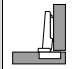

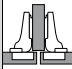

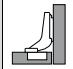


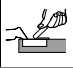
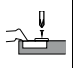
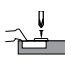
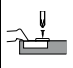
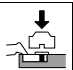

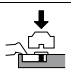

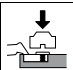






Description

- All metal hinge, nickel plated
- Hinge for thick doors and doors with profile
- 95° opening angle
- With integrated **BLUMOTION**
- With **BLUMOTION** deactivation facility
- with convenient spiral-tech depth adjustment
- Compatible with existing mounting plates
- With closing mechanism (spring)
- Tool-free door to cabinet assembly and removal
- 3-dimensional adjustment (with relevant mounting plate)
- With **INSERTA** tool-free boss assembly

Application



Order specification

Overlay application  		Dual application  		Inset application  	
 Boss INSERTA	Part No.	 Boss INSERTA	Part No.	 Boss INSERTA	Part No.
Steel boss with spring	71B9590	Steel boss with spring	71B9690	Steel boss with spring	71B9790
 Boss Screw-on		 Boss Screw-on		 Boss Screw-on	
Steel boss with spring	71B9550	Steel boss with spring	71B9650	Steel boss with spring	71B9750
 Boss Knock-in	 MZM.0040	 Boss Knock-in	 MZM.0040	 Boss Knock-in	 MZM.0040
Steel boss with spring	71B9580	Steel boss with spring	71B9680	Steel boss with spring	71B9780
 Cover caps		 Cover caps		 Cover caps	
Steel	Nickel plated	Steel	Nickel plated	Steel	Nickel plated
Plain	70.1563	Plain	70.1663	Plain	70.1663
Screen print	Blum 70.1563.BL	Screen print	Blum 70.1663.BL	Screen print	Blum 70.1663.BL
Accessories					
 Chipboard screws for hinge boss fixing		 Boss cover cap for screw-on/knock-in boss			
3.5 x 15 mm	609.1500	Steel	Nickel plated	70T3504	
3.5 x 17 mm	609.1700				

CLIP top BLUMOTION Aluminium frame door hinge

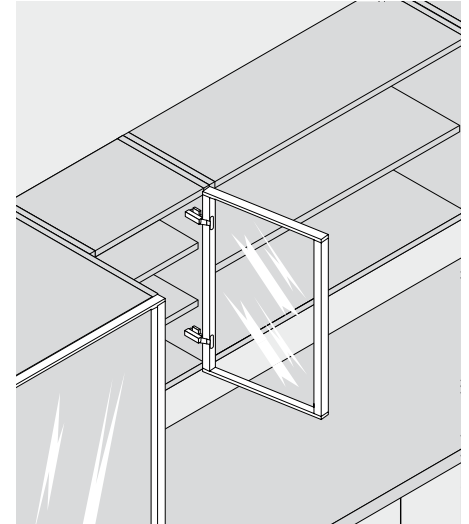
Product



Description

- All metal hinge, nickel plated
- Hinge for narrow alu frame doors
- 95° opening angle
- With integrated **BLUMOTION**
- With **BLUMOTION** deactivation facility
- with convenient spiral-tech depth adjustment
- Compatible with existing mounting plates
- With closing mechanism (spring)
- Tool-free door to cabinet assembly and removal
- 3-dimensional adjustment (with relevant mounting plate)
- Boss fixing screws are included

Application



Order specification

Overlay application			
	Boss		Part No.
	Screw-on		
Zinc boss with spring			71B950A

Dual application			
	Boss		Part No.
	Screw-on		
Zinc boss with spring			71B960A

Inset application			
	Boss		Part No.
	Screw-on		
Zinc boss with spring			71B970A

Cover caps		
	Steel	Nickel plated
Plain		70.1563
Screen print	Blum	70.1563.BL

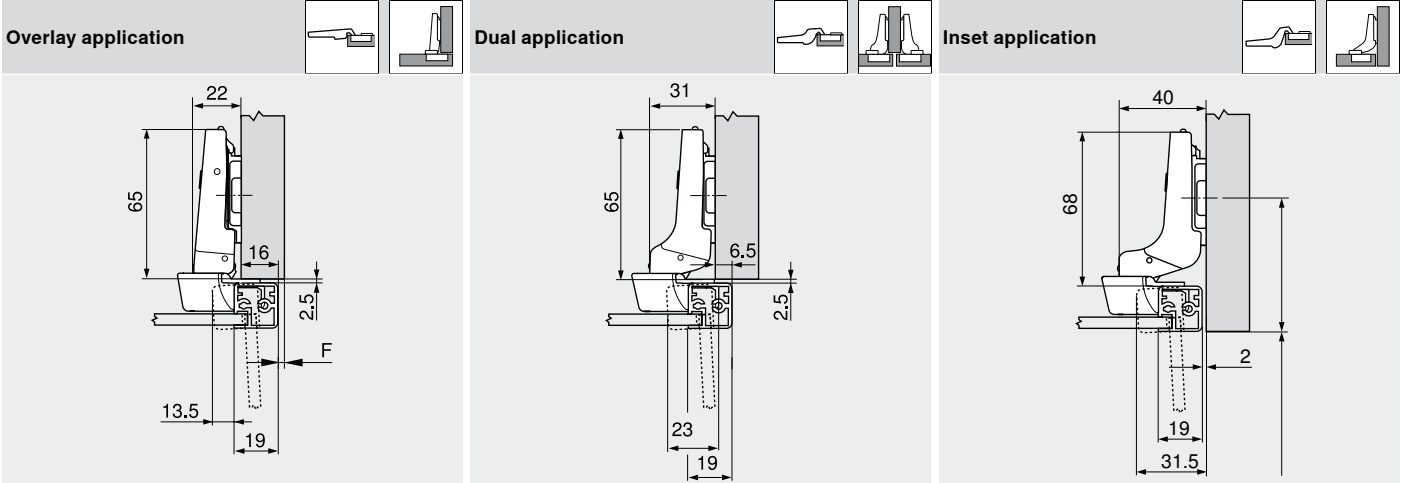
Cover caps		
	Steel	Nickel plated
Plain		70.1663
Screen print	Blum	70.1663.BL

Cover caps		
	Steel	Nickel plated
Plain		70.1663
Screen print	Blum	70.1663.BL

Planning

Hinge dimensions and gap calculation based on factory setting (mounting plate spacing = 0 mm)

Hinge and door protrusion at full opening angle

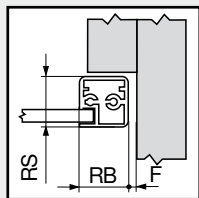


F Gap

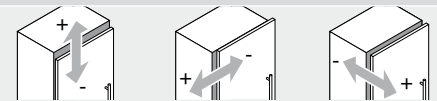
Set mounting plate fixing position back by door thickness + 2.5 mm

Minimum gap for doors with radiuses edges (R = 1 mm) based on factory setting

Adjustments



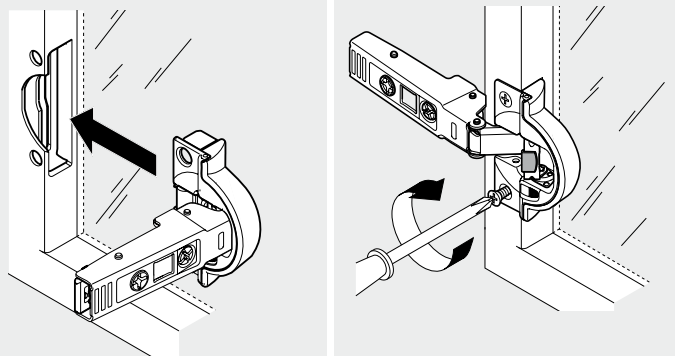
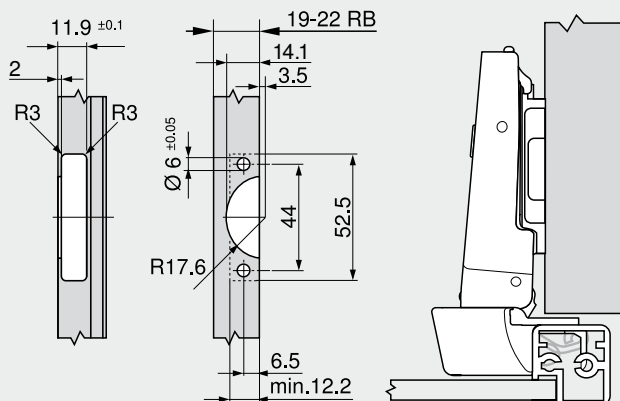
		RS Frame thickness										
		18	19	20	21	22	24	26	28	30	32	
RB Frame width	18	0.2	0.3	0.4	0.6	0.7	1.2	A trial application is recommended				
	19	0.2	0.3	0.4	0.6	0.7	1.2					
	20	0.2	0.3	0.4	0.5	0.7	1.1					
	21	0.2	0.3	0.4	0.5	0.7	1.0					
	22	0.2	0.3	0.4	0.5	0.7	1.1					
		Additional for + 2 mm side adjustment										
		+0.1	+0.1	+0.2	+0.2	+0.3	+0.3					



max. ± 3.0 mm ± 2.0 mm + 3.0 mm
See mounting plates - 2.0 mm

Screw-on

Assembly



RB Frame width

CLIP top BLUMOTION

Blind corner hinge inset application

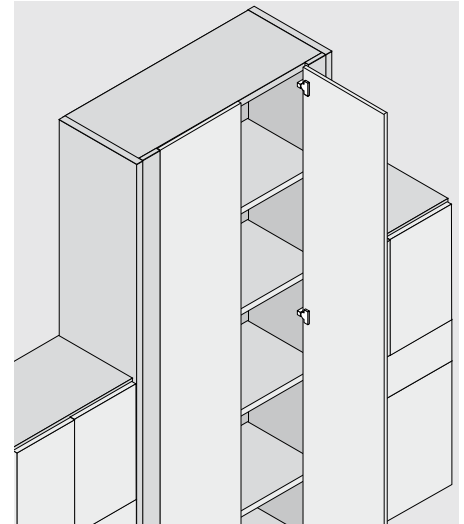
Product





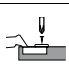
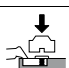

Description


- All metal hinge, nickel plated
- Hinge for blind corner applications
- 95° opening angle
- With integrated **BLUMOTION**
- With **BLUMOTION** deactivation facility
- with convenient spiral-tech depth adjustment
- Compatible with existing mounting plates
- With closing mechanism (spring)
- Tool-free door to cabinet assembly and removal
- 3-dimensional adjustment (with relevant mounting plate)
- With **INSERTA** tool-free boss assembly

Application




Order specification

Inset		
	Boss INSERTA	Part No.
Steel boss with spring		79B9590
	Boss Screw-on	
Steel boss with spring		79B9550
	Boss Knock-in	 MZM.0040
Steel boss with spring		79B9580

Cover caps		
	Steel	Nickel plated
Plain		70.1503
Stamped	Blum	70.1503.BP

Accessories

Chipboard screws for hinge boss fixing		
	3.5 x 15 mm	609.1500
	3.5 x 17 mm	609.1700

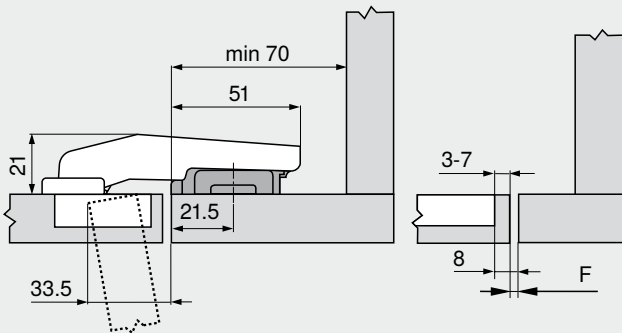
Boss cover cap for screw-on/knock-in boss		
	Steel	Nickel plated 70T3504

Planning

Hinge dimensions and gap calculation based on factory setting (mounting plate spacing = 3 mm)

Hinge and door protrusion at full opening angle

Inset



Move standard mounting plate fixing positions 15.5 mm nearer the edge of the blind corner (i.e. set back by 21.5 mm).

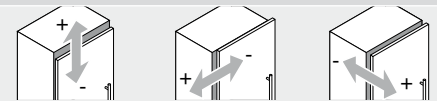
Use 3 mm spaced standard mounting plates only to ensure door and blind corner are flush on the inside.

F Gap

Minimum gap for doors with radiused edges (R = 1 mm) based on factory setting

Drilling distance	Door thickness											
	16	18	19	20	22	24	26	28	29	30	31	32
3	0.2	0.3	0.4	0.5	0.8	1	1.5	1.9	A trial application is recommended			
4	0.2	0.3	0.4	0.5	0.7	1	1.4	1.8				
5	0.2	0.3	0.4	0.5	0.7	1	1.4	1.8				
6	0.2	0.3	0.4	0.5	0.7	1	1.4	1.8				
7	0.2	0.3	0.4	0.5	0.7	0.9	1.4	1.7				

Adjustments



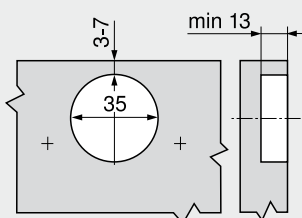
max. ± 3.0 mm

± 2.5 mm

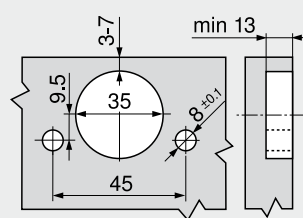
± 1.0 mm

See mounting plates

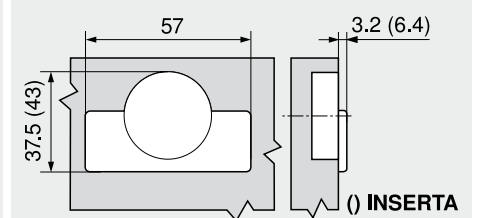
Screw-on



INSERTA / knock-in assembly



Hinge boss dimensions



() INSERTA

CLIP top BLUMOTION +45° I – angled hinge half overlay

Product



Description

- All metal hinge, nickel plated
- 45° I angled hinge
- For corner cabinets with set back fronts
- 95° opening angle
- With integrated **BLUMOTION**
- With **BLUMOTION** deactivation facility
- with convenient spiral-tech depth adjustment
- Compatible with existing mounting plates
- With closing mechanism (spring)
- Tool-free door to cabinet assembly and removal
- 3-dimensional adjustment (with relevant mounting plate)
- With **INSERTA** tool-free boss assembly

Application

	40°	45°	50°
	N° 23 33	N° 24 35	N° 25 33
	-	N° 53 33	N° 54 33
	N° 8 37	N° 9 35	N° 10 35
	N° 43 37	N° 44 37	N° 45 37
	-	N° 60 33	N° 61 33

Order specification

	Boss INSERTA	Part No.
Steel boss with spring		79B9698

	Boss Screw-on	Part No.
Steel boss with spring		79B9658

	Cover caps	
Steel		Nickel plated
Plain		70.1563
Screen print	Blum	70.1563.BL

	Accessories Chipboard screws for hinge boss fixing
3.5 x 15 mm	609.1500
3.5 x 17 mm	609.1700

	Boss cover cap for screw-on boss
Steel	Nickel plated 70T3504

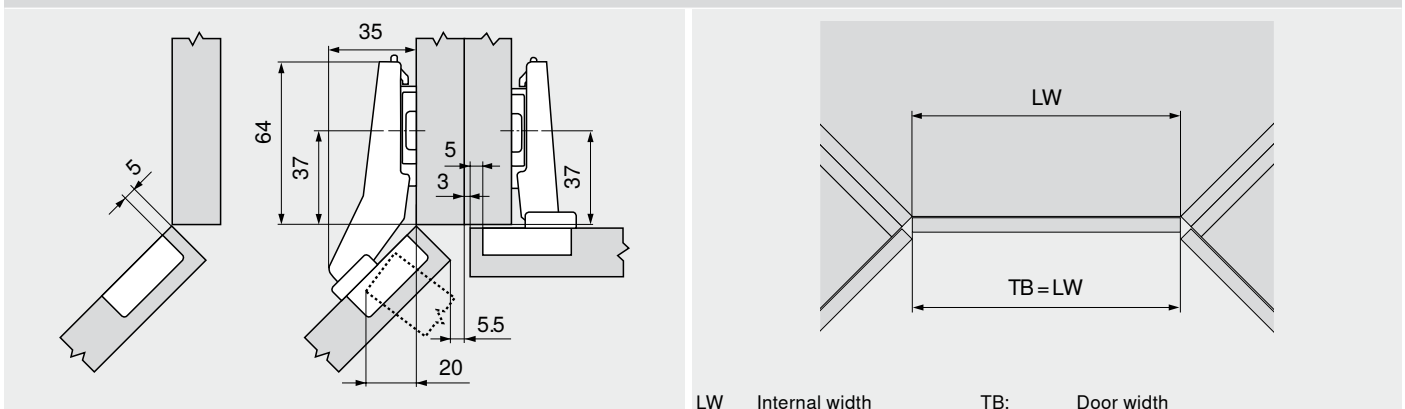
Planning

Important:

These dimensions are based on a 19 mm door and cabinet side thickness. Dimensions would need to be altered if either thickness varied from 19 mm.

A trial application is recommended. Some applications require the mounting plate to be moved from the standard fixing positions.

Corner cabinet

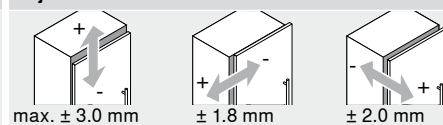


Planning

N° 23 40°					N° 53 45°				N° 60 45°			
Angled spacer	-5°	Part No.	171A5500	Mounting plate	0 mm	Part No.	173H7100	Mounting plate	0 mm	Part No.	173H7100	
Mounting plate	9 mm	Part No.	175H7190									

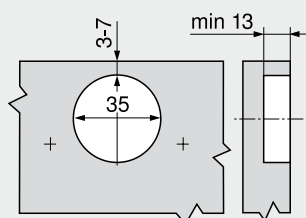
N° 25 50°					N° 54 50°					N° 61 50°				
Angled spacer	+5°	Part No.	171A5070	Angled spacer	+5°	Part No.	171A5010	Angled spacer	+5°	Part No.	171A5010			
Mounting plate	9 mm	Part No.	175H7190	Mounting plate	0 mm	Part No.	173H7100	Mounting plate	0 mm	Part No.	173H7100			

Adjustments

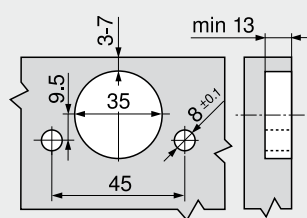


See mounting plates

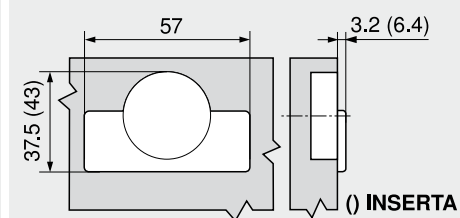
Screw-on



INSERTA / knock-in assembly



Hinge boss dimensions



() INSERTA

CLIP top BLUMOTION +45° II – angled hinge overlay

Product



Description

- All metal hinge, nickel plated
- +45° II angled hinge
- 110° opening angle
- For corner cabinets with flush fronts
- With integrated **BLUMOTION**
- With **BLUMOTION** deactivation facility
- with convenient spiral-tech depth adjustment
- Compatible with existing mounting plates
- With closing mechanism (spring)
- Tool-free door to cabinet assembly and removal
- 3-dimensional adjustment (with relevant mounting plate)
- With **INSERTA** tool-free boss assembly

Application

	40°	45°	50°
	N° 23 33	N° 24 35	N° 25 33
	-	N° 53 33	N° 54 33
	N° 8 37	N° 9 35	N° 10 35
	N° 43 37	N° 44 37	N° 45 37
	-	N° 60 33	N° 61 33

Order specification

	Part No.
INSERTA Steel boss with spring	79B3598

	Part No.
Screw-on Steel boss with spring	79B3558

	Part No.
Cover caps Steel	Nickel plated 70.1563
Plain	70.1563
Screen print	Blum 70.1563.BL

	Part No.
Accessories Chipboard screws for hinge boss fixing	
3.5 x 15 mm	609.1500
3.5 x 17 mm	609.1700

	Part No.
Boss cover cap for screw-on boss	
Steel	Nickel plated 70T3504

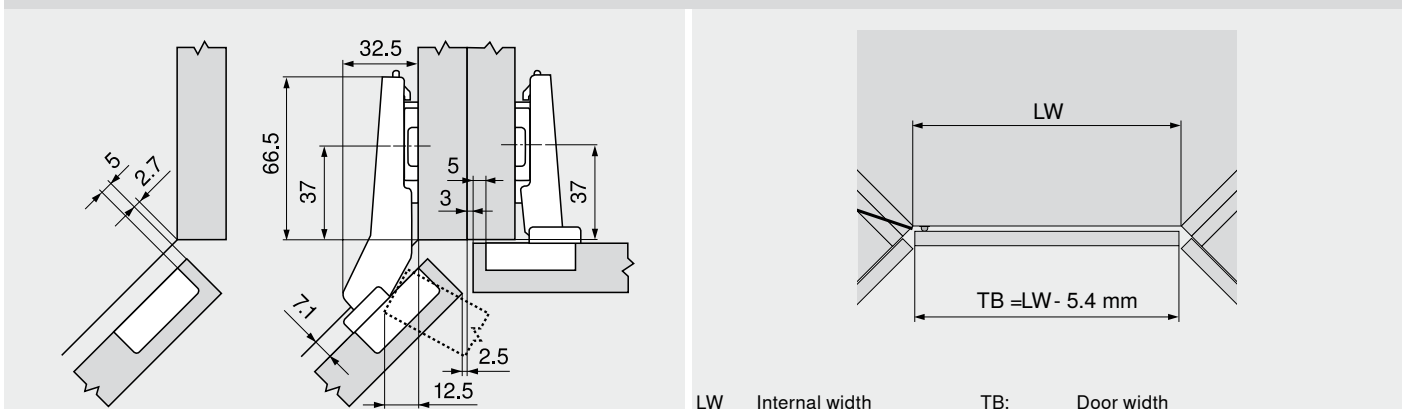
Planning

Important:

These dimensions are based on a 19 mm door and cabinet side thickness. Dimensions would need to be altered if either thickness varied from 19 mm.

A trial application is recommended. Some applications require the mounting plate to be moved from the standard fixing positions.

Corner cabinet



Planning

N° 24
45°

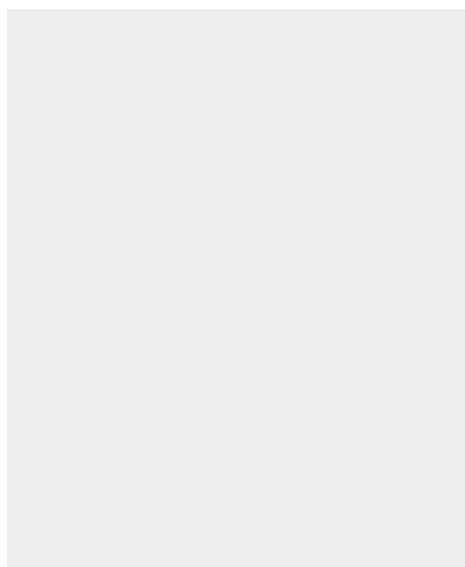
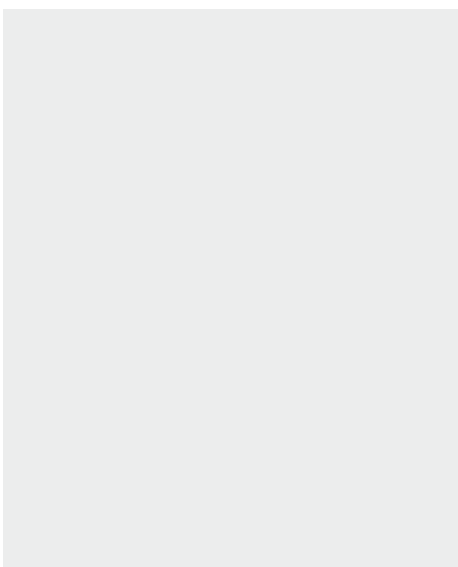
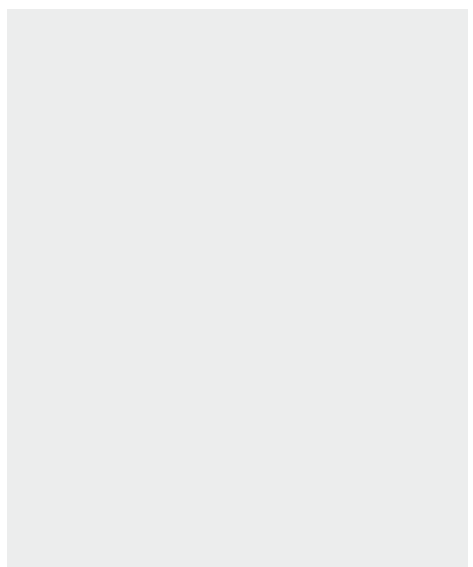
		Part No.
Mounting plate	18 mm	175H7190.22

N° 9
45°

		Part No.
Mounting plate	0 mm	173H7100

N° 10
50°

		Part No.
Angled spacer	+5°	171A5010
Mounting plate	0 mm	173H7100



Adjustments

max. ± 3.0 mm ± 1.8 mm ± 2.0 mm

See mounting plates

Screw-on

INSERTA assembly

Hinge boss dimensions

() INSERTA

CLIP top BLUMOTION +45° III – angled hinge full overlay

Product



Description

- All metal hinge, nickel plated
- +45° III angled hinge
- 95° opening angle
- With integrated **BLUMOTION**
- With **BLUMOTION** deactivation facility
- with convenient spiral-tech depth adjustment
- Compatible with existing mounting plates
- With closing mechanism (spring)
- Tool-free door to cabinet assembly and removal
- 3-dimensional adjustment (with relevant mounting plate)
- With **INSERTA** tool-free boss assembly

Application

	40°	45°	50°
	N° 23	N° 24	N° 25
	33	35	33
	-	N° 53	N° 54
	-	33	33
	N° 8	N° 9	N° 10
	37	35	35
	N° 43	N° 44	N° 45
	37	37	37
	-	N° 60	N° 61
	-	33	33

Order specification

	Boss INSERTA	Part No.
Steel boss with spring		79B9498

	Boss Screw-on	Part No.
Steel boss with spring		79B9458

	Cover caps	
Steel		Nickel plated
Plain		70.1563
Screen print	Blum	70.1563.BL

Accessories	
	Chipboard screws for hinge boss fixing
3.5 x 15 mm	609.1500
3.5 x 17 mm	609.1700

	Boss cover cap for screw-on boss
Steel	Nickel plated
	70T3504

Planning

Important:

These dimensions are based on a 19 mm door and cabinet side thickness. Dimensions would need to be altered if either thickness varied from 19 mm.

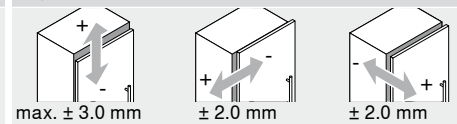
A trial application is recommended. Some applications require the mounting plate to be moved from the standard fixing positions.

Planning

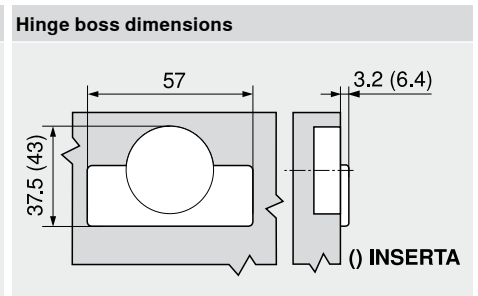
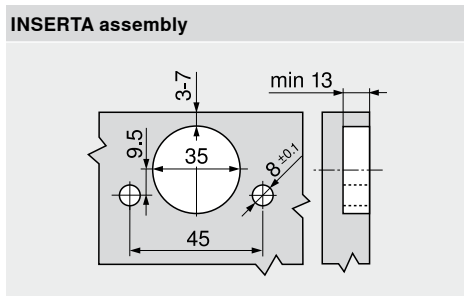
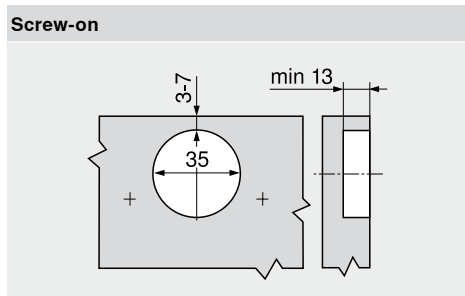
N° 8 40°			N° 43 40°			N° 44 45°		
		Part No.			Part No.			Part No.
Angled spacer	-5°	171A5500	Angled spacer	-5°	171A5500	Mounting plate	6 mm	175H9160
Mounting plate	6 mm	175H9160	Mounting plate	0 mm	173H7100			

N° 45 50°								
		Part No.						
Angled spacer	+5°	171A5070						
Mounting plate	0 mm	173H7100						

Adjustments



See mounting plates



CLIP top BLUMOTION +30° II – angled hinge overlay

Product



Description

- All metal hinge, nickel plated
- + 30° II angled hinge
- 95° opening angle
- With integrated **BLUMOTION**
- With **BLUMOTION** deactivation facility
- with convenient spiral-tech depth adjustment
- Compatible with existing mounting plates
- With closing mechanism (spring)
- Tool-free door to cabinet assembly and removal
- 3-dimensional adjustment (with relevant mounting plate)
- With **INSERTA** tool-free boss assembly

Application

	25°	30°	35°
	N° 20	N° 21	N° 22
	38	39	39
	N° 50	N° 51	N° 52
	38	39	39
	N° 5	N° 6	N° 7
	43	39	39
	N° 40	N° 41	N° 42
	41	41	41
	N° 57	N° 58	N° 59
	38	39	39

Order specification

	Boss	Part No.
	INSERTA	
	Steel boss with spring	79B9596

	Boss	Part No.
	Screw-on	
	Steel boss with spring	79B9556

	Cover caps	Part No.
	Steel	Nickel plated
	Plain	70.1563
	Screen print Blum	70.1563.BL

	Accessories	Part No.
	Chipboard screws for hinge boss fixing	
	3.5 x 15 mm	609.1500
	3.5 x 17 mm	609.1700

	Boss cover cap for screw-on boss	Part No.
	Steel	Nickel plated
		70T3504

Planning

Important:

These dimensions are based on a 19 mm door and cabinet side thickness. Dimensions would need to be altered if either thickness varied from 19 mm.

A trial application is recommended. Some applications require the mounting plate to be moved from the standard fixing positions.

N° 20 25°		N° 50 25°		N° 57 25°	
Angled spacer	-5°	Angled spacer	-5°	Angled spacer	-5°
Mounting plate	9 mm	Mounting plate	0 mm	Mounting plate	0 mm

Planning

<p>N° 21 30°</p>		<p>N° 51 30°</p>		<p>N° 6 30°</p>	
<p>Mounting plate 18 mm</p>	<p>Part No. 175H7190.22</p>	<p>Mounting plate 9 mm</p>	<p>Part No. 175H7190</p>	<p>Mounting plate 0 mm</p>	<p>Part No. 173H7100</p>

<p>N° 58 30°</p>		<p>N° 22 35°</p>	<p>min. 20</p>	<p>N° 52 35°</p>	<p>min. 25</p>
<p>Mounting plate 3 mm</p>	<p>Part No. 173H7130</p>	<p>Angled spacer +5°</p>	<p>Part No. 171A5010</p>	<p>Angled spacer +5°</p>	<p>Part No. 171A5070</p>
		<p>Mounting plate 18 mm</p>	<p>Part No. 175H7190.22</p>	<p>Mounting plate 0 mm</p>	<p>Part No. 173H7100</p>

<p>N° 7 35°</p>	<p>min. 20</p>	<p>N° 59 35°</p>	<p>min. 25</p>	<p>Adjustments</p> <p>max. ± 3.0 mm ± 1.8 mm ± 2.0 mm</p> <p>See mounting plates</p>
<p>Angled spacer +5°</p>	<p>Part No. 171A5010</p>	<p>Angled spacer +5°</p>	<p>Part No. 171A5040</p>	
<p>Mounting plate 0 mm</p>	<p>Part No. 173H7100</p>	<p>Mounting plate 0 mm</p>	<p>Part No. 173H7100</p>	

CLIP top BLUMOTION +30° III – angled hinge full overlay


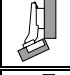
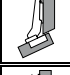
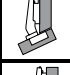
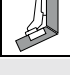
Product



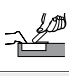
Description

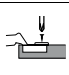
- All metal hinge, nickel plated
- +30° III angled hinge
- 95° opening angle
- With integrated **BLUMOTION**
- With **BLUMOTION** deactivation facility
- with convenient spiral-tech depth adjustment
- Compatible with existing mounting plates
- With closing mechanism (spring)
- Tool-free door to cabinet assembly and removal
- 3-dimensional adjustment (with relevant mounting plate)
- With **INSERTA** tool-free boss assembly


Application

	25°	30°	35°
	N° 20 38	N° 21 39	N° 22 39
	N° 50 38	N° 51 39	N° 52 39
	N° 5 43	N° 6 39	N° 7 39
	N° 40 41	N° 41 41	N° 42 41
	N° 57 38	N° 58 39	N° 59 39

Order specification

	Boss INSERTA	Part No.
Steel boss with spring		79B9496

	Boss Screw-on	Part No.
Steel boss with spring		79B9456

	Cover caps	
Steel		Nickel plated
Plain		70.1563
Screen print	Blum	70.1563.BL

Accessories	
	Chipboard screws for hinge boss fixing
3.5 x 15 mm	609.1500
3.5 x 17 mm	609.1700

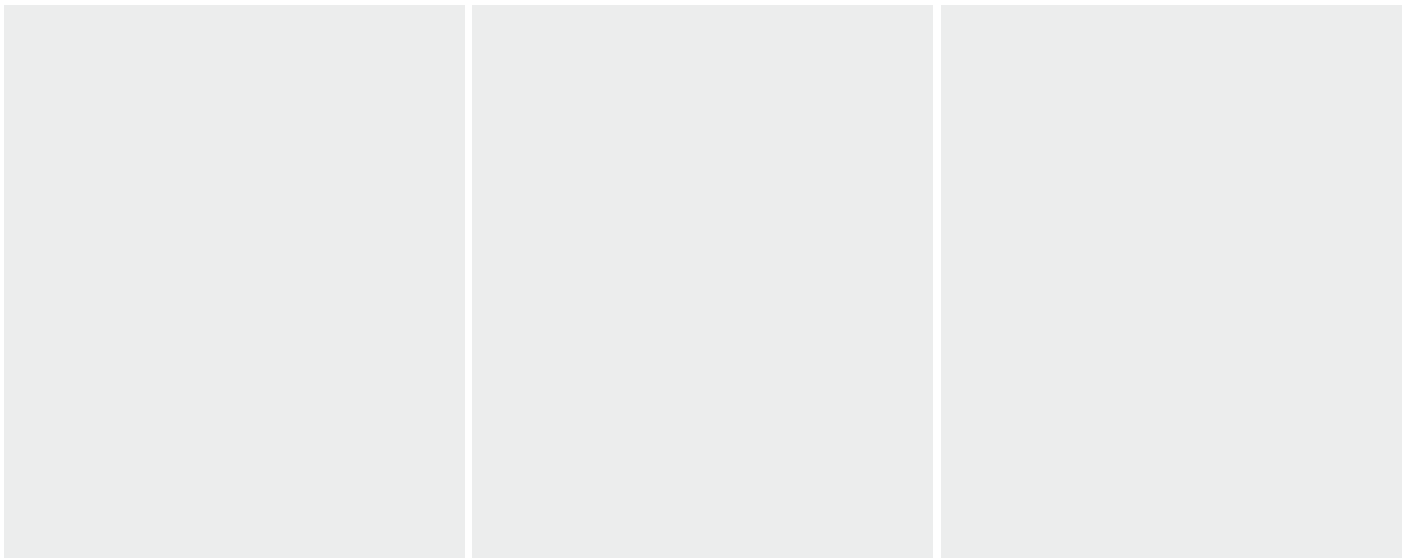
	Boss cover cap for screw-on boss	
Steel	Nickel plated	70T3504

Planning

Important:

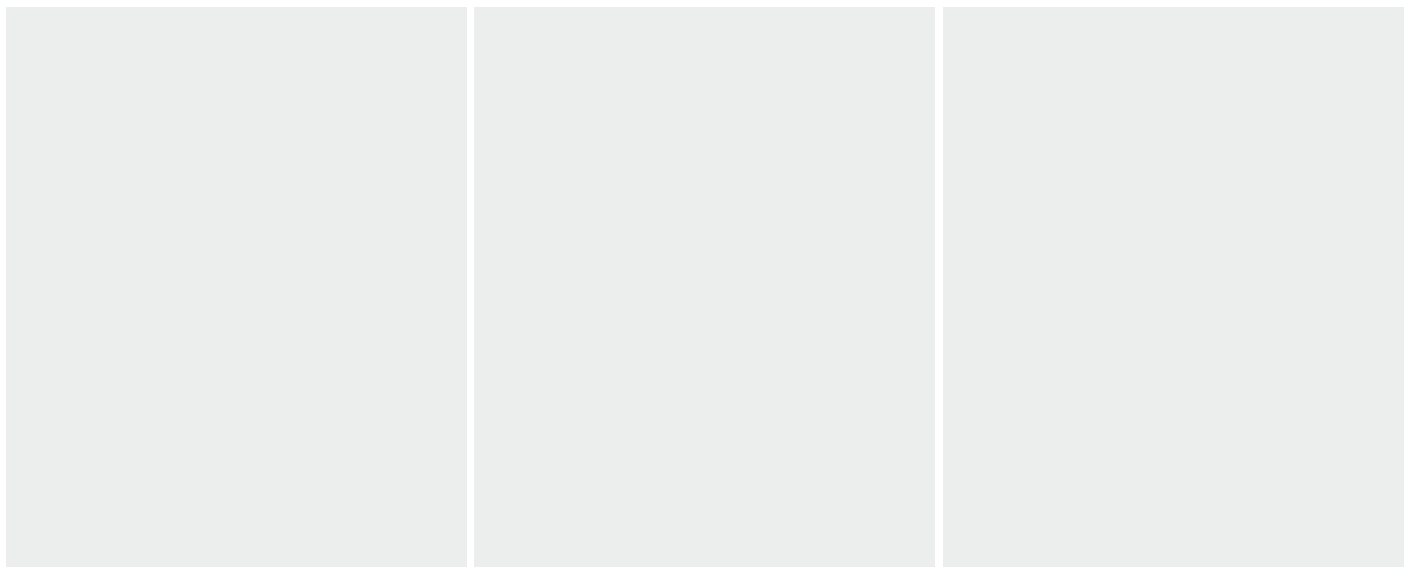
These dimensions are based on a 19 mm door and cabinet side thickness. Dimensions would need to be altered if either thickness varied from 19 mm.

A trial application is recommended. Some applications require the mounting plate to be moved from the standard fixing positions.

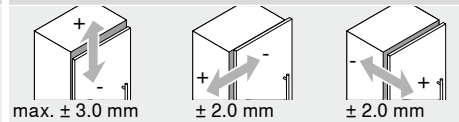


Planning

N° 40 25°		N° 41 30°		N° 42 35°	
Part No.		Part No.		Part No.	
Angled spacer	-5°	171A5500	Mounting plate	6 mm	175H9160
Mounting plate	0 mm	173H7100			
Angled spacer	+5°	171A5070	Mounting plate	0 mm	173H7100
Mounting plate	0 mm	173H7100			

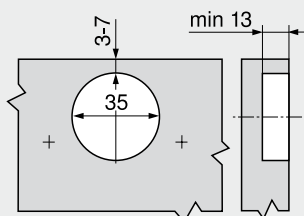


Adjustments

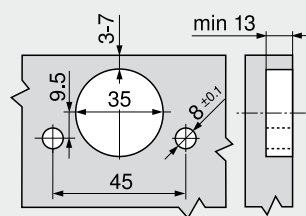


See mounting plates

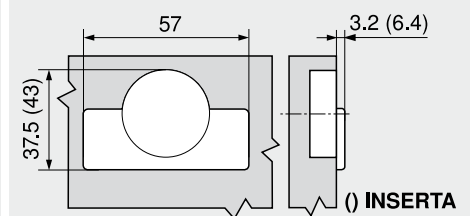
Screw-on



INSERTA assembly



Hinge boss dimensions



CLIP top BLUMOTION +20° II – angled hinge overlay

Product



Description

- All metal hinge, nickel plated
- +20° II angled hinge
- 95° opening angle
- With integrated **BLUMOTION**
- With **BLUMOTION** deactivation facility
- with convenient spiral-tech depth adjustment
- Compatible with existing mounting plates
- With closing mechanism (spring)
- Tool-free door to cabinet assembly and removal
- 3-dimensional adjustment (with relevant mounting plate)
- With **INSERTA** tool-free boss assembly

Application

	15°	20°	25°
	N° 18	N° 19	N° 20
	42	43	38
	N° 48	N° 49	N° 50
	42	43	38
	N° 3	N° 4	N° 5
	45	43	43
	N° 38	N° 39	N° 40
	45	45	41
	N° 55	N° 56	N° 57
	42	43	38

Order specification

	Boss	Part No.
	INSERTA	
	Steel boss with spring	79B9595

	Boss	Part No.
	Screw-on	
	Steel boss with spring	79B9555

	Cover caps	Part No.
	Steel	Nickel plated
	Plain	70.1563
	Screen print Blum	70.1563.BL

	Accessories	Part No.
	Chipboard screws for hinge boss fixing	
	3.5 x 15 mm	609.1500
	3.5 x 17 mm	609.1700

	Boss cover cap for screw-on boss	Part No.
	Steel	Nickel plated
		70T3504

Planning

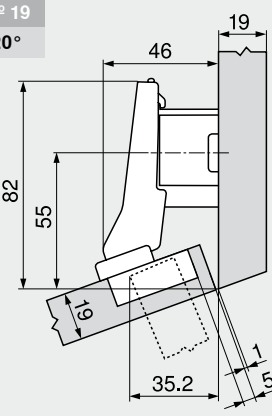
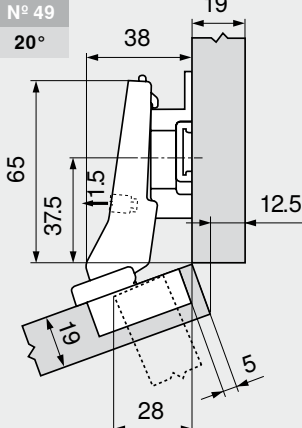
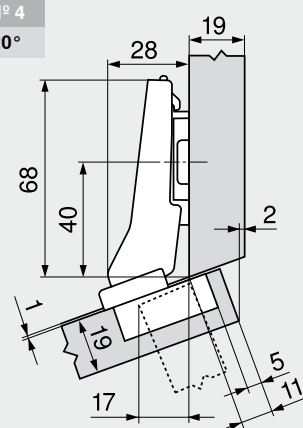
Important:

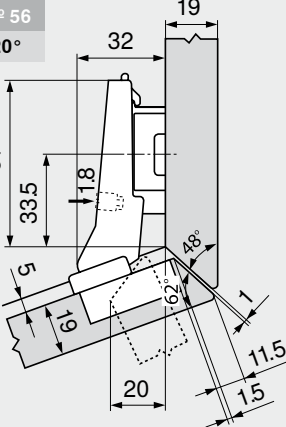
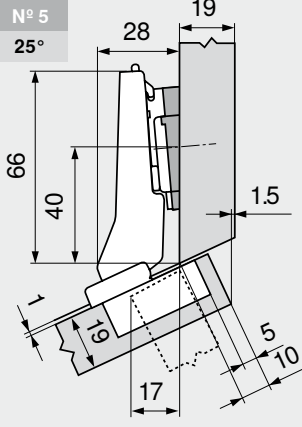

These dimensions are based on a 19 mm door and cabinet side thickness. Dimensions would need to be altered if either thickness varied from 19 mm.

A trial application is recommended. Some applications require the mounting plate to be moved from the standard fixing positions.

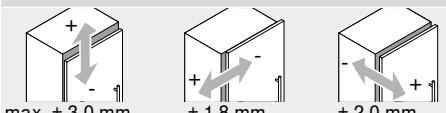
N° 18 15°	N° 48 15°	N° 55 15°
min. 20	min. 20	min. 20
Part No.	Part No.	Part No.
Angled spacer -5° 171A5500	Angled spacer -5° 171A5500	Angled spacer -5° 171A5500
Mounting plate 9 mm 175H7190	Mounting plate 3 mm 173H7130	Mounting plate 0 mm 173H7100

Planning

N° 19 20° 		Part No. 175H7190.22		N° 49 20° 		Part No. 175H7190		N° 4 20° 		Part No. 173H7100	
Mounting plate	18 mm		Mounting plate	9 mm		Mounting plate	0 mm				

N° 56 20° 		Part No. 175H9160		N° 5 25° 		Part No. 171A5010		 min. 20			
Mounting plate	6 mm		Angled spacer	+5°		Mounting plate	0 mm				

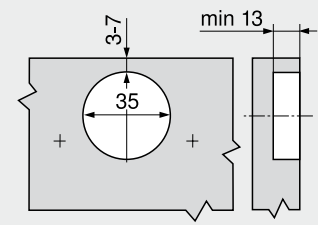
Adjustments



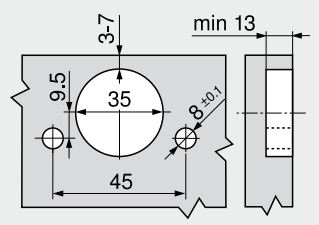
max. ± 3.0 mm ± 1.8 mm ± 2.0 mm

See mounting plates

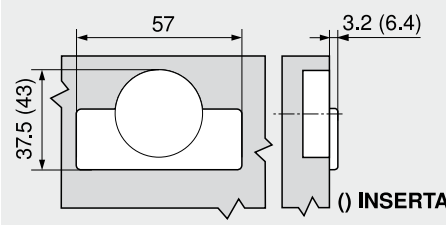
Screw-on



INSERTA assembly



Hinge boss dimensions



() INSERTA

CLIP top BLUMOTION +15° III – angled hinge full overlay

Product



Description

- All metal hinge, nickel plated
- +15° III angled hinge
- 95° opening angle
- With integrated **BLUMOTION**
- With **BLUMOTION** deactivation facility
- with convenient spiral-tech depth adjustment
- Compatible with existing mounting plates
- With closing mechanism (spring)
- Tool-free door to cabinet assembly and removal
- 3-dimensional adjustment (with relevant mounting plate)
- With **INSERTA** tool-free boss assembly

Application

	10°	15°	20°
	N° 17 44	N° 18 42	N° 19 43
	N° 47 44	N° 48 42	N° 49 43
	N° 2 44	N° 3 45	N° 4 43
	N° 37 45	N° 38 45	N° 39 45
	-	N° 55 42	N° 56 43

Order specification

	Part No.
Boss INSERTA Steel boss with spring	79B9494

	Part No.
Boss Screw-on Steel boss with spring	79B9454

	Part No.
Cover caps Steel	Nickel plated 70.1563
Plain	70.1563.BL
Screen print	Blum

	Part No.
Accessories Chipboard screws for hinge boss fixing	
3.5 x 15 mm	609.1500
3.5 x 17 mm	609.1700

	Part No.
Accessories Boss cover cap for screw-on boss	
Steel	Nickel plated 70T3504

Planning

Important:

These dimensions are based on a 19 mm door and cabinet side thickness. Dimensions would need to be altered if either thickness varied from 19 mm.

A trial application is recommended. Some applications require the mounting plate to be moved from the standard fixing positions.

N° 17 10°	N° 47 10°	N° 2 10°
Part No.	Part No.	Part No.
Angled spacer -5° 171A5500	Angled spacer -5° 171A5500	Angled spacer -5° 171A5500
Mounting plate 18 mm 175H7190.22	Mounting plate 18 mm 175H7190.22	Mounting plate 0 mm 173H7100

Planning

N° 37
10°

min. 20

		Part No.
Angled spacer	-5°	171A5500
Mounting plate	0 mm	173H7100

N° 3
15°

		Part No.
Mounting plate	9 mm	175H7190

N° 38
15°

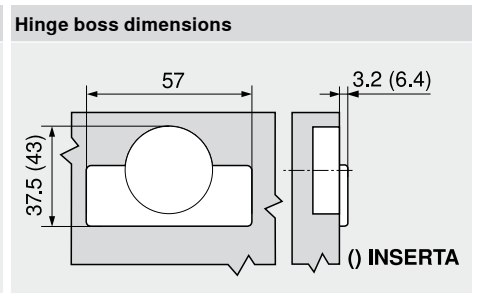
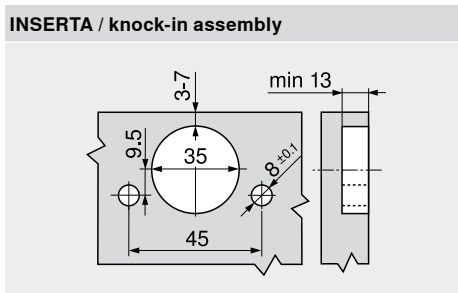
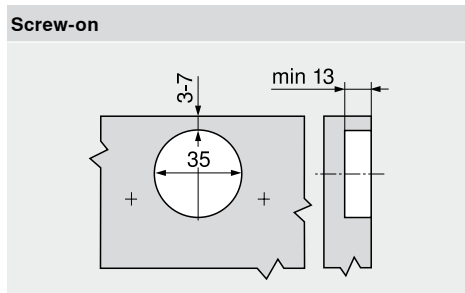
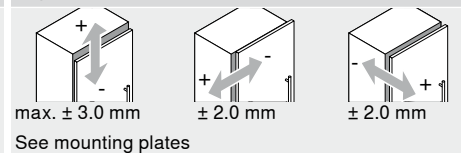
		Part No.
Mounting plate	6 mm	175H9160

N° 39
20°

min. 25

		Part No.
Angled spacer	+5°	171A5070
Mounting plate	0 mm	173H7100

Adjustments



CLIP top BLUMOTION ±5° angled application

Product



Description

- All metal hinge, nickel plated
- ±5° angled application
- With integrated **BLUMOTION**
- With **BLUMOTION** deactivation facility
- 95° opening angle
- with convenient spiral-tech depth adjustment
- Compatible with existing mounting plates
- With closing mechanism (spring)
- Tool-free door to cabinet assembly and removal
- 3-dimensional adjustment (with relevant mounting plate)
- With **INSERTA** tool-free boss assembly

Application

	-5°		5°
	N° 15 47		N° 16 47
	-		N° 46 47
	-		N° 1 47
	N° 35 47		N° 36 47
	-		-

Order specification

Overlay application		
Boss INSERTA		Part No.
Steel boss with spring		71B9590

Dual application		
Boss INSERTA		Part No.
Steel boss with spring		71B9690

Inset application		
Boss INSERTA		Part No.
Steel boss with spring		71B9790

Boss Screw-on	
Steel boss with spring	71B9550

Boss Screw-on	
Steel boss with spring	71B9650

Boss Screw-on	
Steel boss with spring	71B9750

Cover caps	
Steel	Nickel plated
Plain	70.1563
Stamped	Blum 70.1563.BL

Cover caps	
Steel	Nickel plated
Plain	70.1663
Screen print	Blum 70.1663.BL

Cover caps	
Steel	Nickel plated
Plain	70.1663
Screen print	Blum 70.1663.BL

Accessories

Boss cover cap for screw-on boss	
Steel	Nickel plated 70T3504

Chipboard screws for hinge boss fixing	
3.5 x 15 mm	609.1500
3.5 x 17 mm	609.1700

Planning

Important:

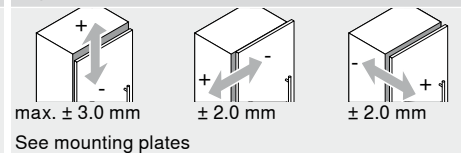
These dimensions are based on a 19 mm door and cabinet side thickness. Dimensions would need to be altered if either thickness varied from 19 mm. A trial application is recommended. Some applications require the mounting plate to be moved from the standard fixing positions.

Planning

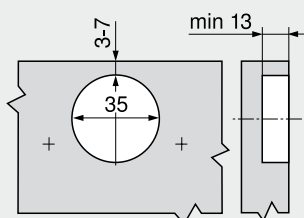
<p>N° 15 -5°</p>	<p>N° 35 -5°</p>	<p>N° 16 5°</p>
Part No.	Part No.	Part No.
Angled spacer -5° 171A5500	Mounting plate -5 mm 171A5500	Mounting plate +5 mm 171A5010
Mounting plate 0 mm 173H7100	Mounting plate 0 mm 173H7100	Mounting plate 0 mm 173H7100
Hinge with cranked hinge arm	Hinge with straight hinge arm	Hinge with double cranked hinge arm

<p>N° 46 5°</p>	<p>N° 1 5°</p>	<p>N° 36 5°</p>
Part No.	Part No.	Part No.
Angled spacer +5° 171A5070	Angled spacer +5° 171A5010	Angled spacer +5° 171A5010
Mounting plate 0 mm 173H7100	Mounting plate 0 mm 173H7100	Mounting plate 0 mm 173H7100
Hinge with cranked hinge arm	Hinge with straight hinge arm	Hinge with straight hinge arm

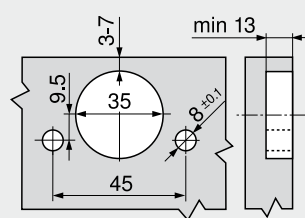
Adjustments



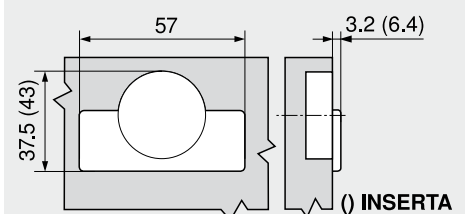
Screw-on



INSERTA assembly



Hinge boss dimensions



CLIP top BLUMOTION -15° III – angled hinge full overlay

Product



Description

- All metal hinge, nickel plated
- -15° III angled hinge
- 110° opening angle
- With integrated **BLUMOTION**
- With **BLUMOTION** deactivation facility
- with convenient spiral-tech depth adjustment
- Compatible with existing mounting plates
- With closing mechanism (spring)
- Tool-free door to cabinet assembly and removal
- 3-dimensional adjustment (with relevant mounting plate)
- With **INSERTA** tool-free boss assembly

Application

	-20°	-15°	-10°
	N° 12	N° 13	N° 14
	49	49	49
	-	-	-
	-	-	-
	N° 32	N° 33	N° 34
	49	49	49
	-	-	-
	-	-	-

Order specification

	Boss INSERTA	Part No.
Steel boss with spring		79B3493

	Boss Screw-on	Part No.
Steel boss with spring		79B3453

	Cover caps	
	Steel	Nickel plated
Plain		70.1563
Screen print	Blum	70.1563.BL

Accessories	
	Chipboard screws for hinge boss fixing
3.5 x 15 mm	609.1500
3.5 x 17 mm	609.1700

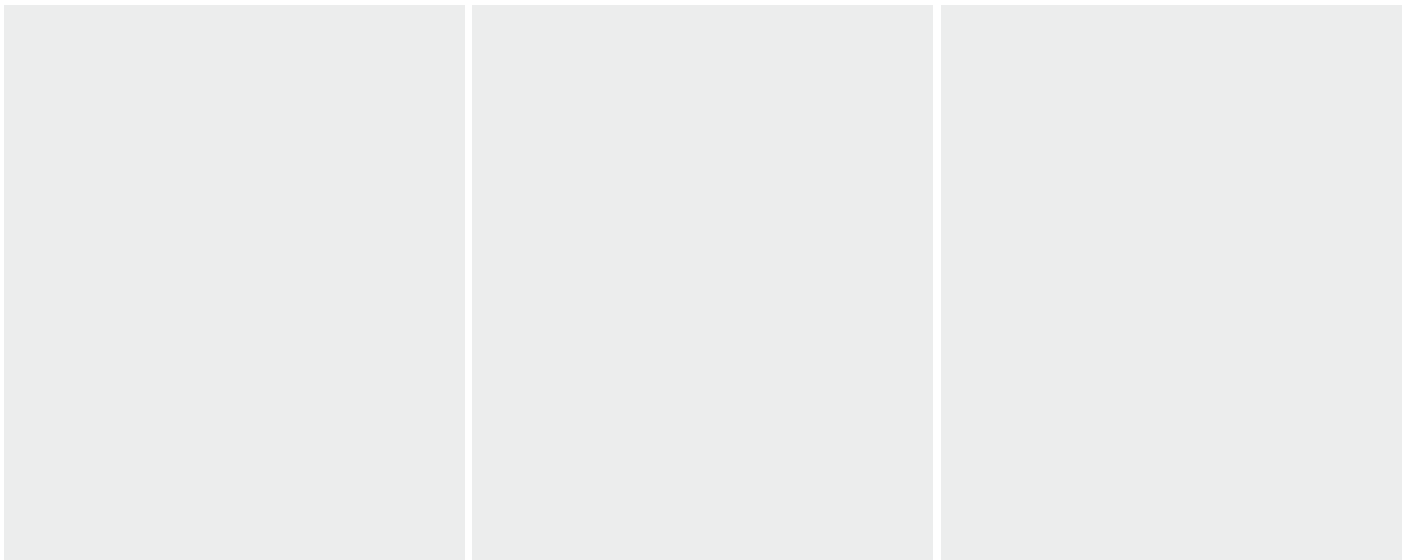
	Boss cover cap for screw-on boss	
Steel	Nickel plated	70T3504

Planning

Important:

These dimensions are based on a 19 mm door and cabinet side thickness. Dimensions would need to be altered if either thickness varied from 19 mm.

A trial application is recommended. Some applications require the mounting plate to be moved from the standard fixing positions.

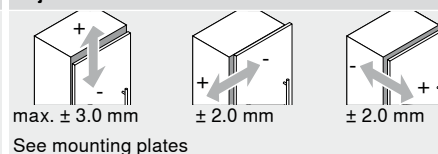


Planning

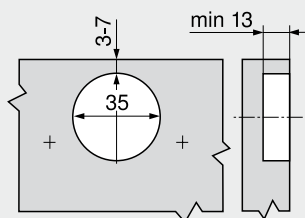
N° 12 -20°		N° 32 -20°		N° 13 -15°	
	Part No.		Part No.		Part No.
Angled spacer	-5°	171A5500	Angled spacer	-5°	171A5500
Mounting plate	6 mm	175H9160	Mounting plate	0 mm	173H7100
			Mounting plate	18 mm	175H7190.22

N° 33 -15°		N° 14 -10°		N° 34 -10°	
	Part No.		Part No.		Part No.
Mounting plate	0 mm	173H7100	Angled spacer	+5°	171A5070
			Mounting plate	9 mm	175H7190
			Angled spacer	+5°	171A5010
			Mounting plate	0 mm	173H7100

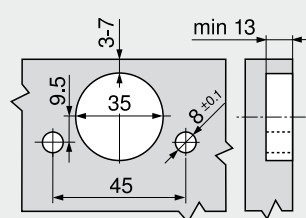
Adjustments



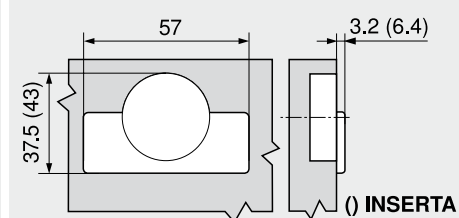
Screw-on



INSERTA assembly



Hinge boss dimensions



CLIP top BLUMOTION -30° III – angled hinge full overlay

Product



Description

- All metal hinge, nickel plated
- -30° III angled hinge
- 110° opening angle
- With integrated **BLUMOTION**
- With **BLUMOTION** deactivation facility
- with convenient spiral-tech depth adjustment
- Compatible with existing mounting plates
- With closing mechanism (spring)
- Tool-free door to cabinet assembly and removal
- 3-dimensional adjustment (with relevant mounting plate)
- With **INSERTA** tool-free boss assembly

Application

	-35°	-30°	-25°
	-	-	N° 11
	-	-	51
	-	-	-
	N° 29	N° 30	N° 31
	51	51	51
	-	-	-

Order specification

	Boss INSERTA	Part No.
Steel boss with spring		79B3491

	Boss Screw-on	Part No.
Steel boss with spring		79B3451

	Cover caps	
Steel		Nickel plated
Plain		70.1563
Screen print	Blum	70.1563.BL

Accessories	
	Chipboard screws for hinge boss fixing
3.5 x 15 mm	609.1500
3.5 x 17 mm	609.1700

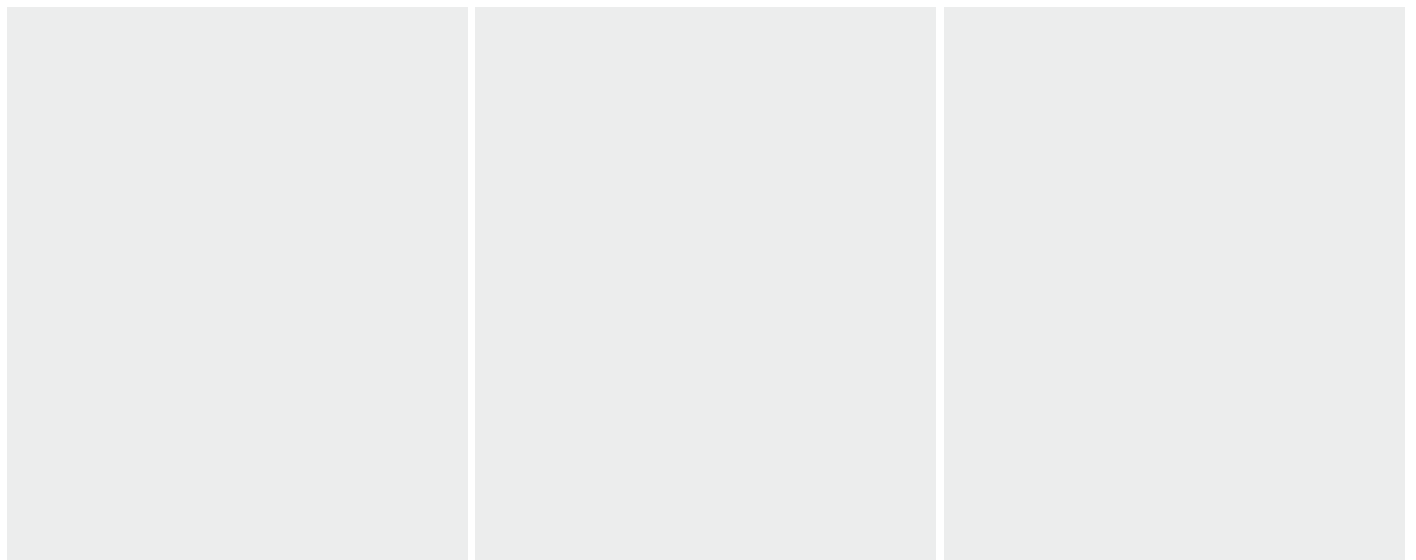
	Boss cover cap for screw-on boss	
Steel	Nickel plated	70T3504

Planning

Important:

These dimensions are based on a 19 mm door and cabinet side thickness. Dimensions would need to be altered if either thickness varied from 19 mm.

A trial application is recommended. Some applications require the mounting plate to be moved from the standard fixing positions.



Planning

N° 29
-35°

Part No.

Angled spacer	-5°	171A5500
Mounting plate	0 mm	173H7100

N° 30
-30°

Part No.

Angled spacer	-5°	171A5500
Mounting plate	3 mm	173H7130

N° 11
-25°

Part No.

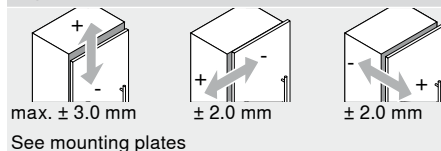
Angled spacer	+5°	171A5070
Mounting plate	9 mm	175H7190

N° 31
-25°

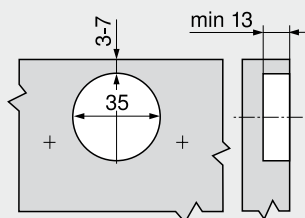
Part No.

Angled spacer	+5°	171A5040
Mounting plate	0 mm	173H7100

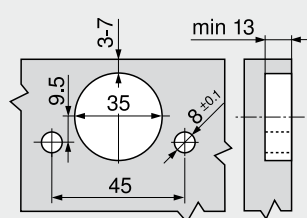
Adjustments



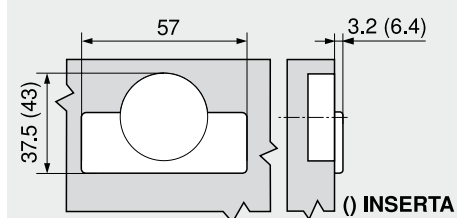
Screw-on



INSERTA assembly



Hinge boss dimensions



CLIP top BLUMOTION

-45° III – angled hinge full overlay

Product



Description

- All metal hinge, nickel plated
- -45° III angled hinge
- 110° opening angle
- With integrated **BLUMOTION**
- With **BLUMOTION** deactivation facility
- with convenient spiral-tech depth adjustment
- Compatible with existing mounting plates
- With closing mechanism (spring)
- Tool-free door to cabinet assembly and removal
- 3-dimensional adjustment (with relevant mounting plate)
- With **INSERTA** tool-free boss assembly

Application

	-50°	-45°	-40°
	-	-	-
	-	-	-
	-	-	-
	N° 26	N° 27	N° 28
	53	53	53
	-	-	-

Order specification

	Boss INSERTA	Part No.
	Steel boss with spring	79B3490

	Boss Screw-on	Part No.
	Steel boss with spring	79B3450

	Cover caps	
	Steel	Nickel plated
	Plain	70.1563
	Screen print	Blum 70.1563.BL

Accessories	
	Chipboard screws for hinge boss fixing
3.5 x 15 mm	609.1500
3.5 x 17 mm	609.1700

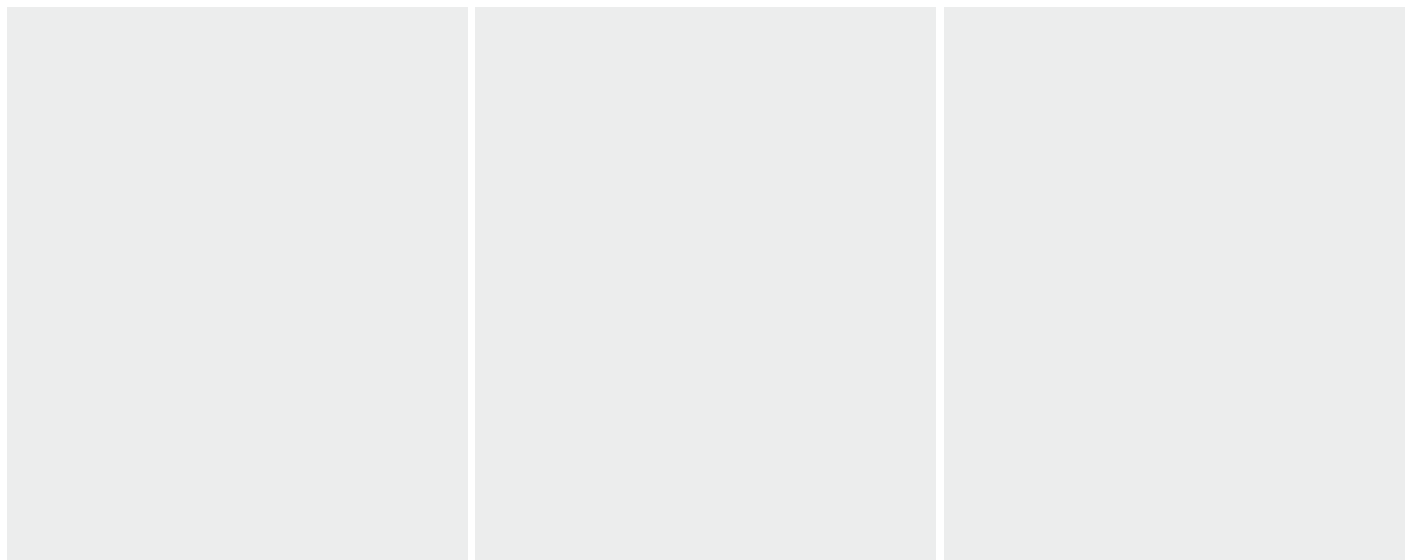
	Boss cover cap for screw-on boss	
	Steel	Nickel plated 70T3504

Planning

Important:

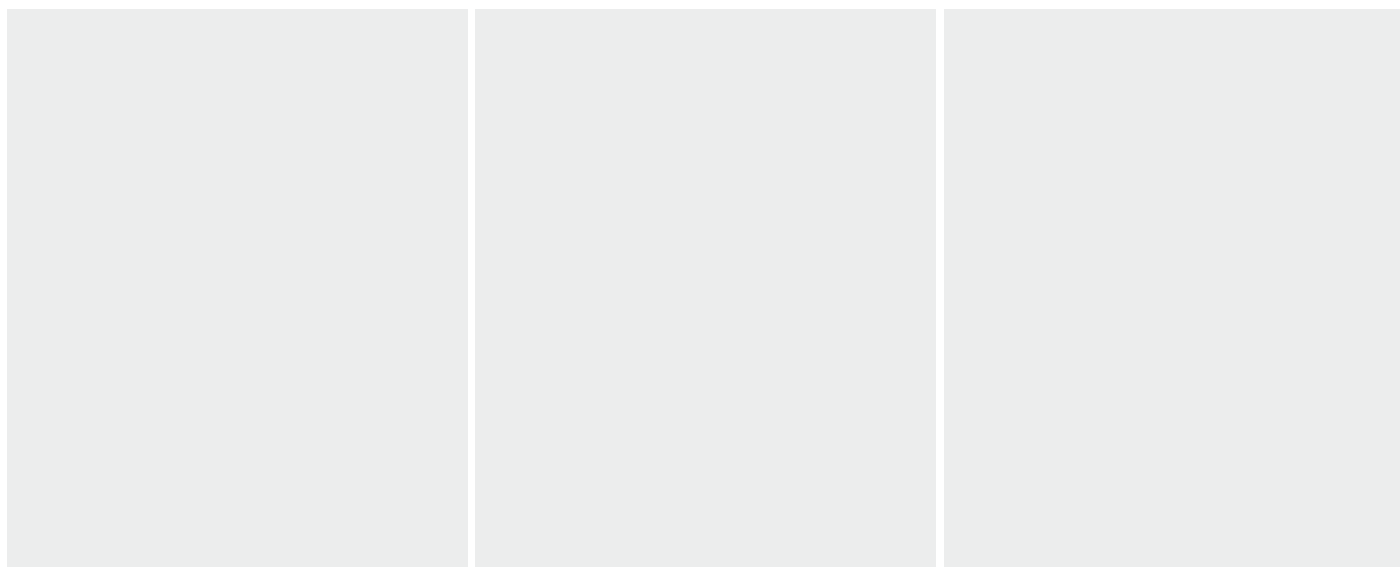
These dimensions are based on a 19 mm door and cabinet side thickness. Dimensions would need to be altered if either thickness varied from 19 mm.

A trial application is recommended. Some applications require the mounting plate to be moved from the standard fixing positions.

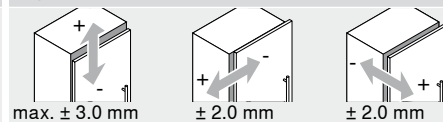


Planning

N° 26 -50°		N° 27 -45°		N° 28 -40°	
	Part No.		Part No.		Part No.
Angled spacer	-5°	171A5500	Mounting plate	3 mm	173H7130
Mounting plate	0 mm	173H7100			
Angled spacer	+5°	171A5040	Mounting plate	0 mm	173H7100
Mounting plate	0 mm	173H7100			

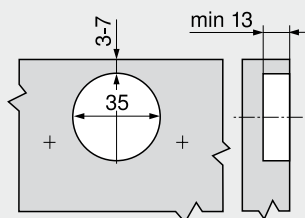


Adjustments

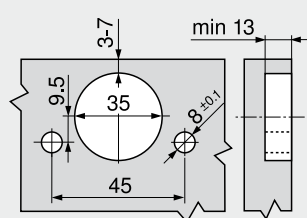


See mounting plates

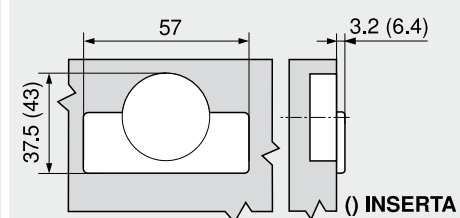
Screw-on



INSERTA assembly



Hinge boss dimensions



CLIP top 110° hinge

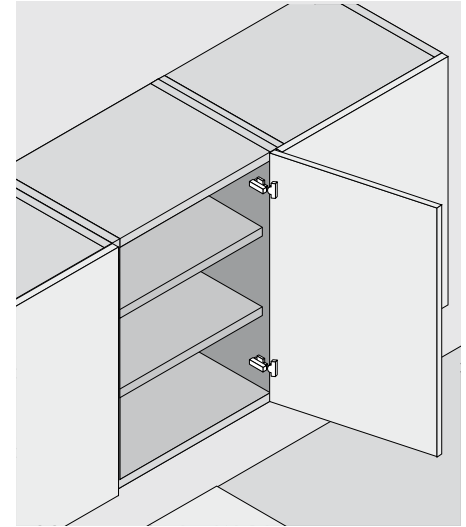
Product



Description

- All metal hinge, nickel plated
- 110° opening angle
- with convenient spiral-tech depth adjustment
- Compatible with existing mounting plates
- With or without closing mechanism (spring)
- Tool-free door to cabinet assembly and removal
- 3-dimensional adjustment (with relevant mounting plate)
- With **INSERTA** tool-free boss assembly

Application



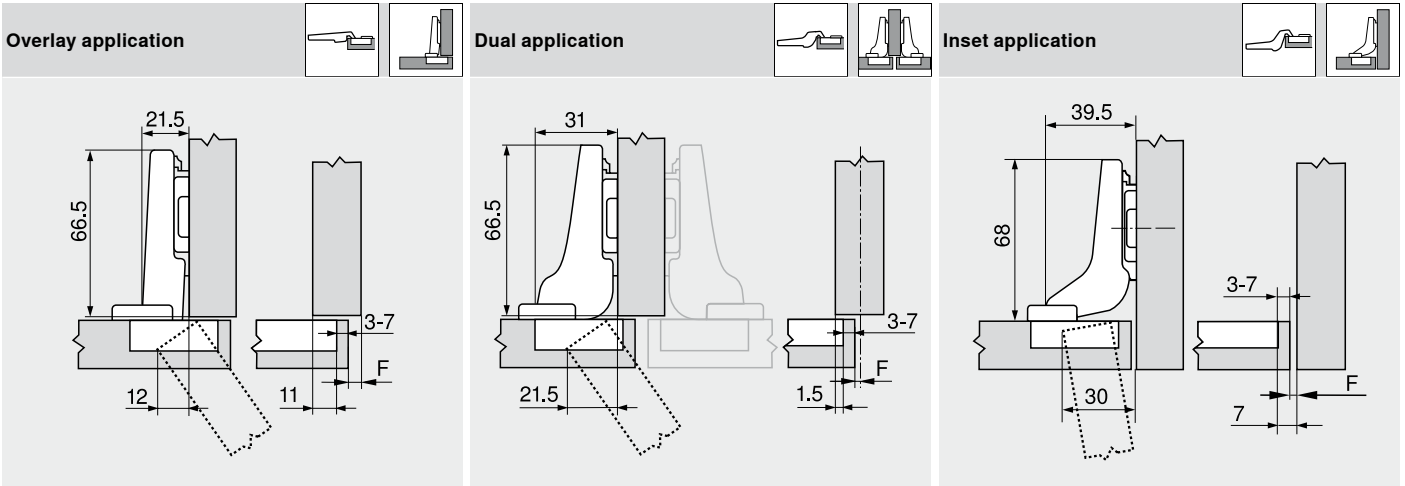
Order specification

Overlay application				Dual application				Inset application			
	Boss INSERTA		Part No.		Boss INSERTA		Part No.		Boss INSERTA		Part No.
	Steel boss with spring		71T3590		Steel boss with spring		71T3690		Steel boss with spring		71T3790
	Steel boss unsprung		70T3590.TL		Steel boss unsprung		70T3690.TL		Steel boss unsprung		70T3790.TL
	Boss Screw-on				Boss Screw-on				Boss Screw-on		
	Steel boss with spring		71T3550		Steel boss with spring		71T3650		Steel boss with spring		71T3750
	Steel boss unsprung		70T3550.TL		Steel boss unsprung		70T3650.TL		Steel boss unsprung		70T3750.TL
	Boss Knock-in		MZM.0040		Boss Knock-in		MZM.0040		Boss Knock-in		MZM.0040
	Steel boss with spring		71T3580		Steel boss with spring		71T3680		Steel boss with spring		71T3780
	Cover caps				Cover caps				Cover caps		
	Steel		Nickel plated		Steel		Nickel plated		Steel		Nickel plated
	Plain		70.1503		Plain		70.1663		Plain		70.1663
	Stamped	Blum	70.1503.BP		Screen print	Blum	70.1663.BL		Screen print	Blum	70.1663.BL
No cover cap is required when using BLUMOTION 973A0500.01.				No cover cap is required when using BLUMOTION 973A0600.				No cover cap is required when using BLUMOTION 973A0700.			
Accessories											
	Chipboard screws for hinge boss fixing				Boss cover cap for screw-on/knock-in boss				Opening angle stop 86°		
	3.5 x 15 mm		609.1500		Steel	Nickel plated	70T3504		Nylon		70T3553
	3.5 x 17 mm		609.1700								

Planning

Hinge dimensions and gap calculation based on factory setting (mounting plate spacing = 0 mm)

Hinge and door protrusion at full opening angle



F Gap

Set mounting plate fixing position back by door thickness + 1.5 mm

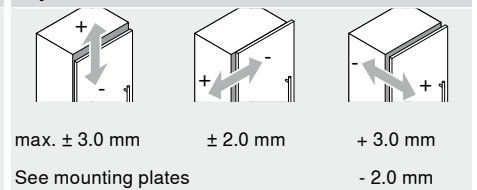
Drilling distance

	Front overlay																													
	5	6	7	8	9	10	11	12	13	14	15	16	17	18	4.5	3.5	2.5	1.5	0.5	0.5	1.5	2.5	3.5	4.5	5.5	6.5	7.5	8.5		
0																														
3																														
6																														
9																														

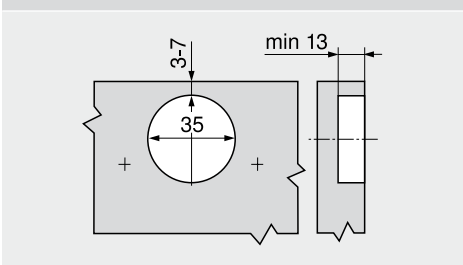
Minimum gap for doors with radiused edges (R = 1 mm) based on factory setting

	Door thickness												
	16	18	19	20	21	22	23	24	25	26	28	30	32
3	0.5	0.8	1.0	1.2	1.5	1.8	2.2	2.7	3.5	4.3	A trial application is recommended		
4	0.5	0.8	1.0	1.2	1.4	1.7	2.0	2.5	3.1	3.8			
5	0.5	0.8	0.9	1.2	1.4	1.7	2.0	2.4	2.9	3.4			
6	0.5	0.8	0.9	1.2	1.3	1.6	1.9	2.3	2.7	3.2			
7	0.5	0.8	0.9	1.1	1.3	1.6	1.9	2.2	2.6	3.0			
Additional for + 2 mm side adjustment													
	+0.2	+0.4	+0.4	+0.5	+0.5	+0.5	+0.5	+0.5	+0.5	+0.5			

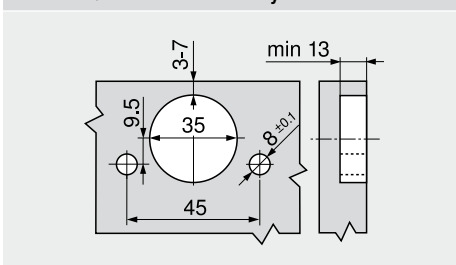
Adjustments



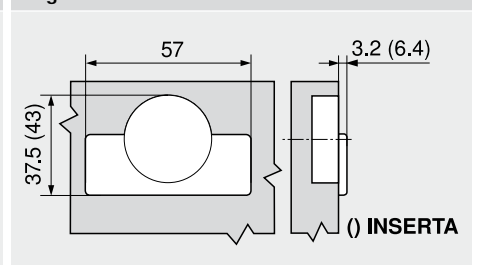
Screw-on



INSERTA / knock-in assembly



Hinge boss dimensions



CLIP top 110° special hinge

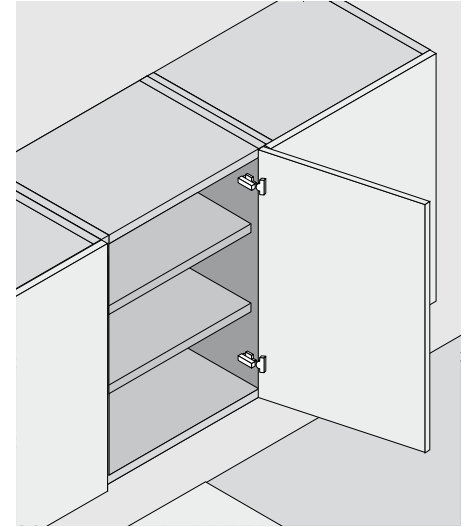
Product



Description

- All metal hinge, nickel plated
- Hinge with large overlay for thick cabinet sides
- 110° opening angle
- with convenient spiral-tech depth adjustment
- Compatible with existing mounting plates
- With or without closing mechanism (spring)
- Tool-free door to cabinet assembly and removal
- 3-dimensional adjustment (with relevant mounting plate)
- With **INSERTA** tool-free boss assembly

Application



Order specification

Overlay application			
	Boss INSERTA		Part No.
	Steel boss with spring		73T3590
	Steel boss unsprung		72T3590.TL

	Boss Screw-on		
	Steel boss with spring		73T3550
	Steel boss unsprung		72T3550.TL

	Boss Knock-in		MZM.0040
	Steel boss with spring		73T3580

Cover caps		
	Steel	Nickel plated
	Plain	70.1503
	Stamped	Blum 70.1503.BP

No cover cap is required when using BLUMOTION 973A0500.01.

Accessories

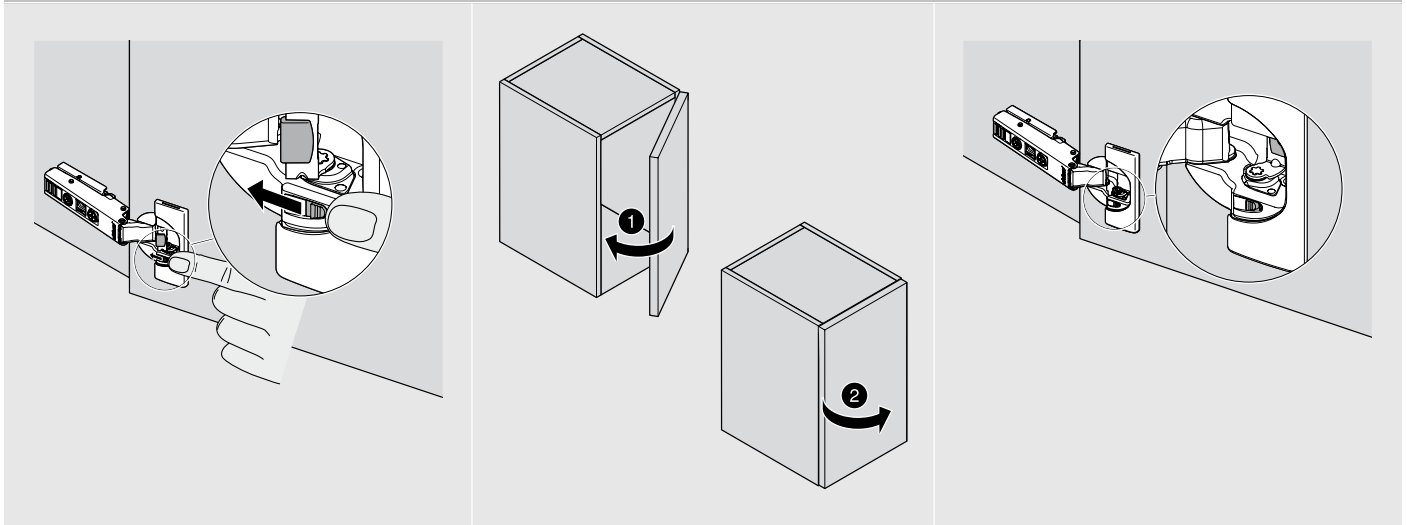
Chipboard screws for hinge boss fixing	
3.5 x 15 mm	609.1500
3.5 x 17 mm	609.1700

Boss cover cap for screw-on/knock-in boss	
Steel	Nickel plated 70T3504

Opening angle stop 86°	
Nylon	70T3553

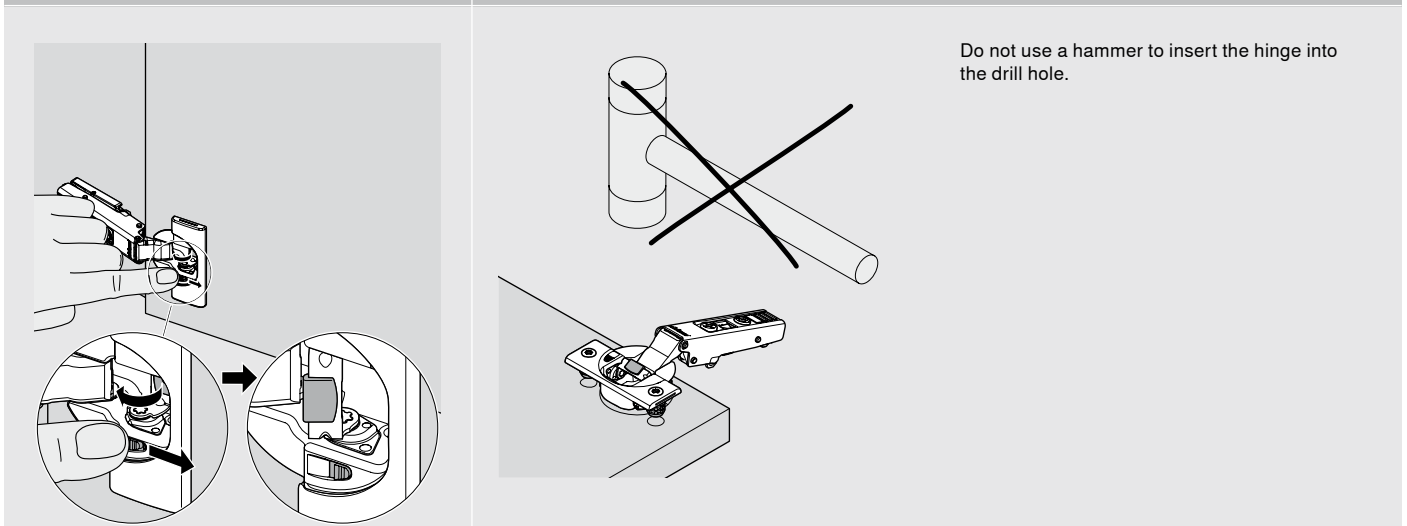
Assembly and adjustment

BLUMOTION deactivation (for small or light fronts)

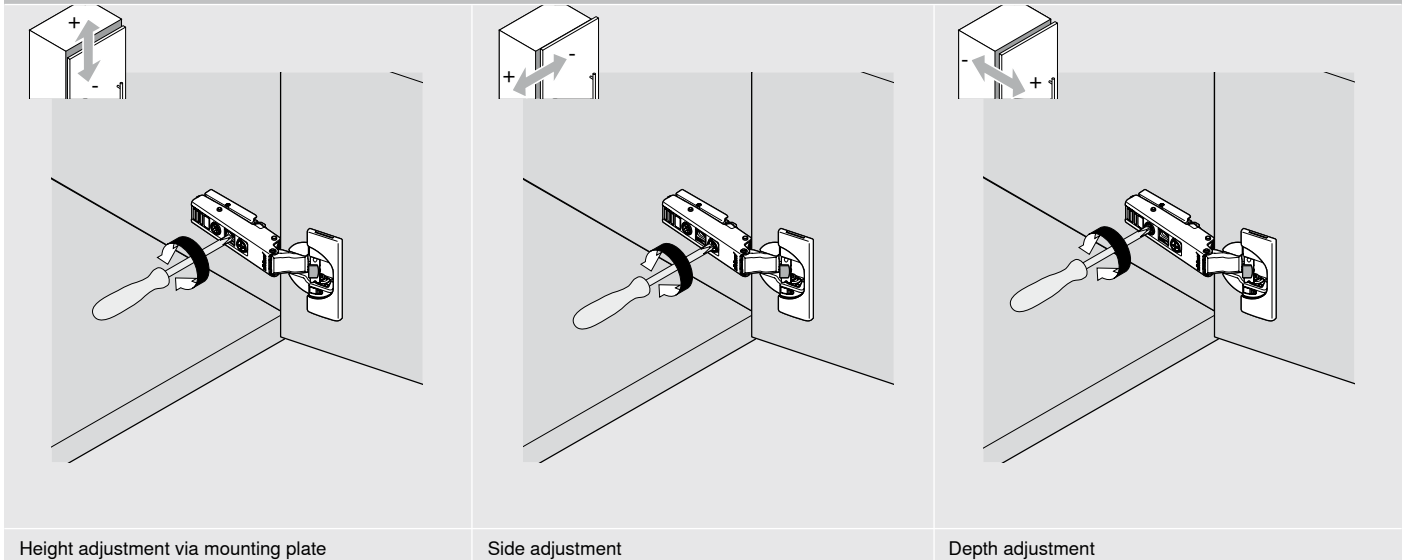


BLUMOTION activation

Note



3-dimensional adjustment

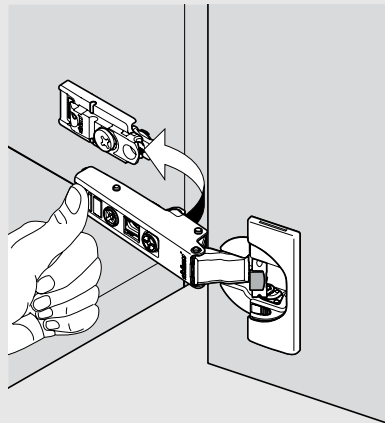
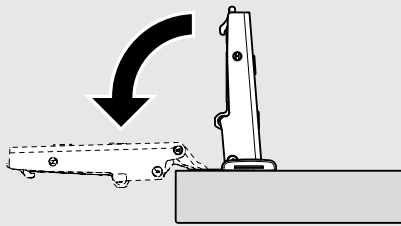
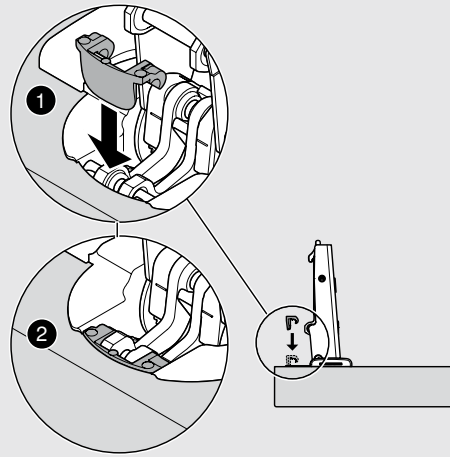
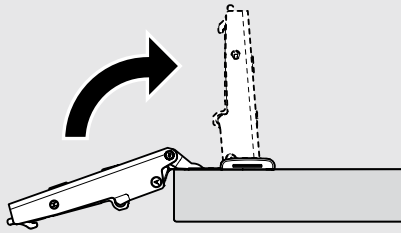


Height adjustment via mounting plate

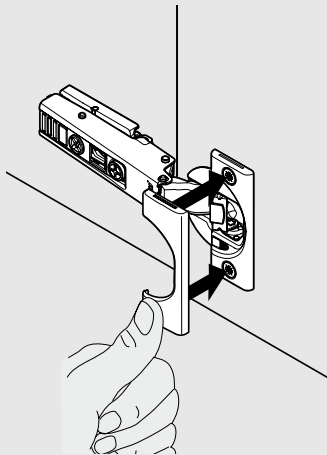
Side adjustment

Depth adjustment

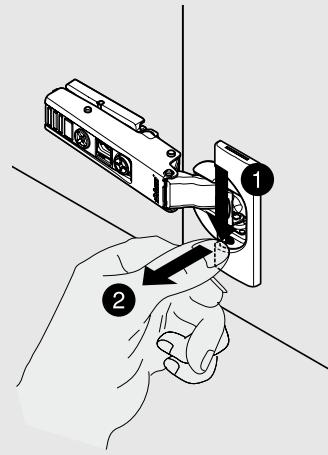
Opening angle stop assembly



Boss cover cap assembly



Boss cover cap removal





blum
↑

Our understanding of perfect motion

Blum turns the opening and closing of furniture into an experience that significantly increases the comfort of motion in the kitchen. Several thousand employees are continually working worldwide implementing our concept of the perfect motion possible. Within this process, we place the needs of the kitchen user as the focus of our actions. We are only satisfied when the kitchen user is satisfied. All of our partners who participate in the furniture making process profit from this focus.

For over 50 years, quality has been the highest principle for the development and manufacture of our products. Our fittings systems shout "high quality" with their well-thought-out function, recognised design and high durability. They are designed to inspire and trigger fascination for perfect motion. We also set the bar very high for the services we offer. They must provide the best possible support to our partners.

So that we can target our efforts at all levels, we are in a constant dialogue with kitchen users and regularly exchange information with furniture manufacturers, carpenters and distributors.



Blum Fittings

For the lifetime of your kitchen

Julius Blum GmbH
Furniture Fittings Mfg
6973 Hoechst, Austria
Tel.: +43 5578 705-0
Fax: +43 5578 705-44
E-Mail: info@blum.com.com
www.blum.com | connect.blum.com

