



# CLIP top BLUMOTION

Everything inside

[connect.blum.com](http://connect.blum.com)  
<http://blumotion.blum.com>

Perfecting motion  **blum**<sup>®</sup>



# CLIP top BLUMOTION is setting new benchmarks

## High-tech for perfect motion

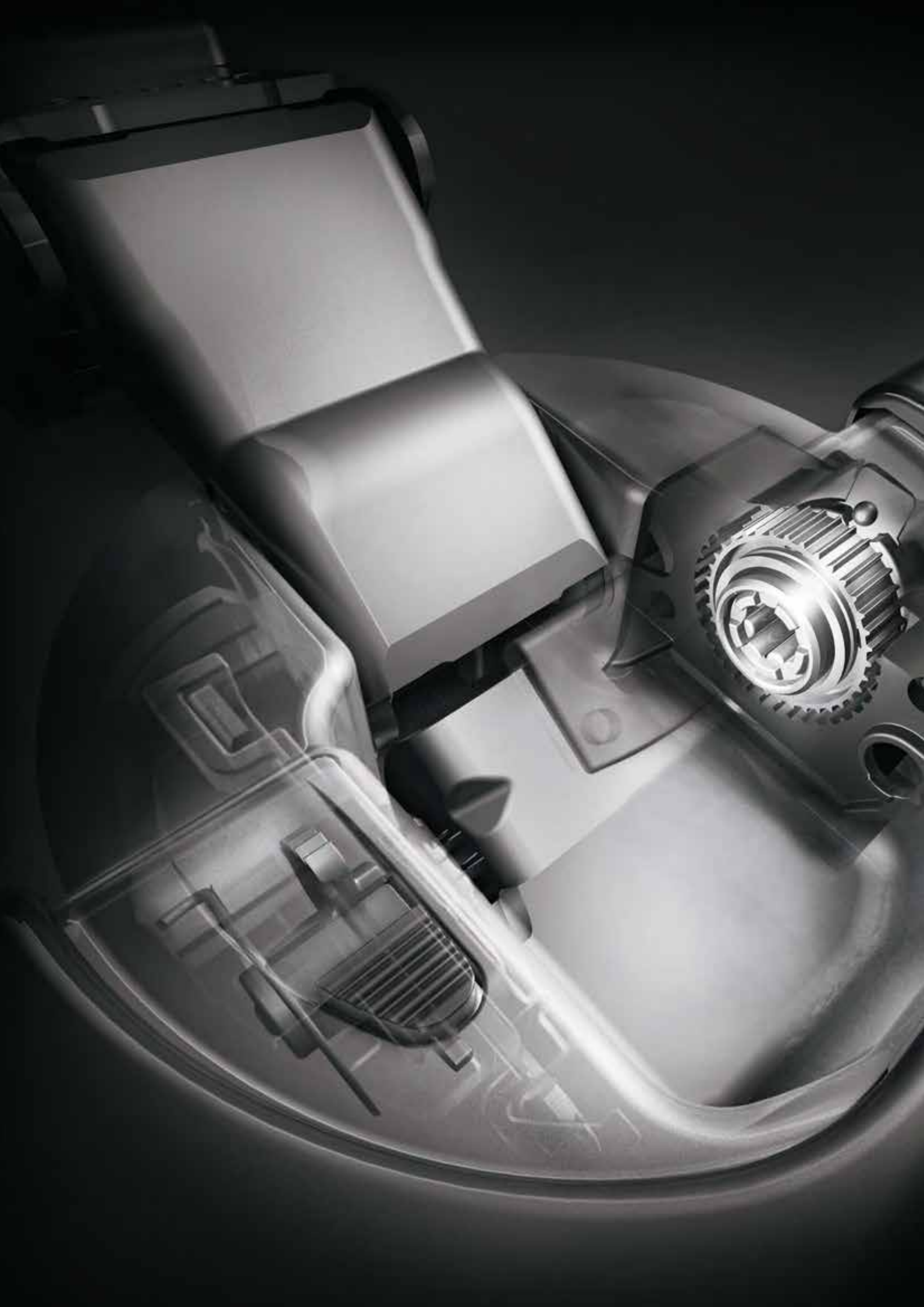


With CLIP top BLUMOTION, you have "everything inside:" Because BLUMOTION, our function for silent and effortless closing action, is integrated into the boss.

Get to know the advantages of integrated BLUMOTION and discover the possibilities of the new CLIP top BLUMOTION hinge. Inspire your customers: With perfect motion, for all furniture doors, for the lifetime of the furniture.

## Content

- 4 Integrated BLUMOTION
- 6 Silent and effortless closing action
- 8 BLUMOTION deactivation
- 10 New hinge pivoting point
- 12 Elegant design
- 14 Other advantages
- 16 Case studies
- 18 Assembly devices for CLIP top BLUMOTION
- 20 Ordering and planning information
- 58 Assembly and adjustment
- 60 The Blum brand



Innovative technology concentrated into the smallest space

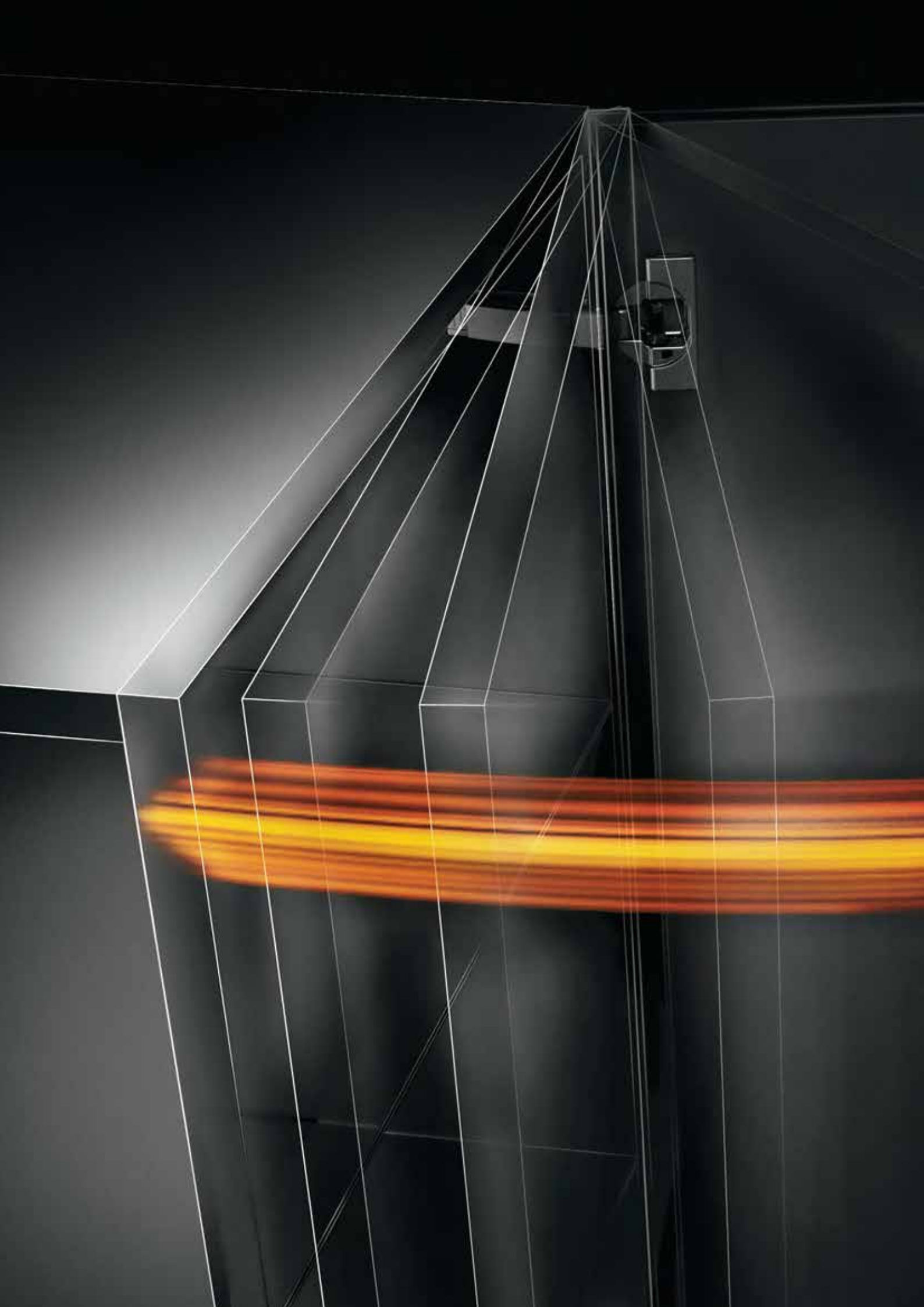
## BLUMOTION integrated

into the hinge boss

Precise movement like clockwork – the integrated BLUMOTION is a technical masterpiece that fits into the smallest space providing silent and effortless closing action for furniture doors.

CLIP top BLUMOTION is designed to open and close 200,000 times: for fascinating quality of motion – for the lifetime of the furniture.





# BLUMOTION for silent and effortless closing action

Inspiring perfect motion

for **every** door

Silent and effortless, that's how furniture doors close with BLUMOTION – regardless of the front weight or closing speed.

Due to the ideal relationship between the closing mechanism and BLUMOTION, a gentle push is all that's required for closing – even for small and light doors.





A close-up, black and white photograph of a door hinge mechanism, showing the curved metal plates and the central pin. The lighting creates strong highlights and shadows, emphasizing the metallic texture and the smooth curves of the hinge.

Silent and effortless closing action also for small doors

BLUMOTION

deactivation option

For high quality of motion for small or light doors, the BLUMOTION function on one of the two hinges, can be easily deactivated.

Simply slide the switch on the hinge boss, then close the door once. Deactivation is now complete.



## New hinge pivoting point for **thicker** doors

With the new 110° hinge, you can now implement thicker doors up to 24 mm – depending on the application. The new pivoting point ensures that during the opening process, the door does not foul on the cabinet face.

As a consequence of this ingenious new geometry, it is possible to achieve a smaller door gap. Thicker doors can also be accommodated.



Elegant design for a high-quality look

## Fascinating technology in a stylish body

Despite the sophisticated technology in the hinge boss, CLIP top BLUMOTION is no different in size and visible proportions from other CLIP top hinges.

And the elegant product design also highlights the high-quality character and look of CLIP top BLUMOTION.





# Additional advantages of CLIP top BLUMOTION

## Assembly

made easy



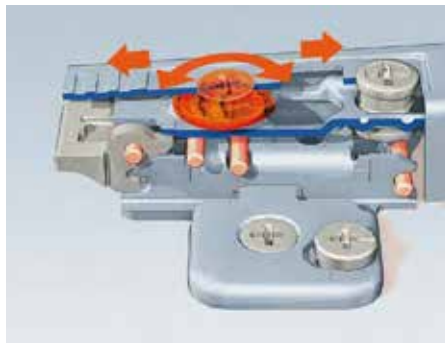
CLIP top BLUMOTION is extremely user friendly.  
This provides many advantages for assembly and adjustment.



#### CLIP

The tried and tested CLIP mechanism stands for simple, tool-free hinge assembly.

- You can continue to use existing mounting plates.
- The drilling pattern for the hinge boss remains unchanged for CLIP top BLUMOTION, a 13 mm drilling depth is sufficient.
- The new INSERTA mechanism enables tool-free fixing of the hinge to the door.



#### CLIP top

Tops when it comes to adjustment: Like other CLIP top hinges, CLIP top BLUMOTION enables easy, 3-dimensional adjustment via an infinitely variable spiral screw depth adjustment and a cam height adjustment for different mounting plates.



#### CLIP top BLUMOTION

Because the BLUMOTION function is now integrated into the hinge, additional assembly processes are no longer necessary after adjustment is complete.

## CLIP top BLUMOTION for more options



More choices when it comes to door thickness, by virtue of the new pivot points

## Technology for different areas of application



For perfect motion for small doors, BLUMOTION only has to be activated on one hinge.



Gaining storage space: With the optimised 155° hinge.



Whether it's wood, wide or narrow alu frames – you have many options when it comes to materials.



CLIP top BLUMOTION can be used with almost any application, e.g. with an angled door.

Everything for that familiar, precise assembly

## Updates to your existing assembly devices



All assembly devices and templates are available at [www.blum.com](http://www.blum.com).



Our machines and templates make CLIP top BLUMOTION assembly easy. You can continue to use existing assembly devices from Blum. There are either no or only minimal adjustments required. New machines & templates now contain all new settings and additional parts.

The following gives you an overview of which drilling and insertion machines as well as template settings need to be changed and whether or not additional parts are required.

### Overview of new items

	Drilling depth stop	Set drilling depth	Insertion ram	Drill bit (Ø 35/Ø 8) without tip	Other
	<b>required</b>	<b>required</b>	<b>Required if</b> hinges are inserted	<b>Required for</b> material thicknesses < 16 mm	
<b>Drilling and insertion machines</b>					
PRO-CENTER/MINIPRESS PRO	<b>MZK.2005<sup>1)</sup></b>	at 13 mm	<b>MZM.0040</b>	<b>M01.ZB35.OS</b> <b>M01.ZB08.OS</b>	
MINIPRESS P/MINIPRESS M	<b>M30.1304.01</b> <b>M52.0909</b>	at 13 mm	<b>MZM.0040</b>	<b>M01.ZB35.OS</b> <b>M01.ZB08.OS</b>	
Additional drilling head (MZK.9900)	<b>MZK.9905</b>				
<b>Templates and assembly devices</b>					
ECODRILL		at 13 mm			<b>M31.1041.UM<sup>2)</sup></b>
<b>Assembly devices</b>					
Universal hand insertion tool for hinges					<b>ZME.0710</b>

<sup>1)</sup> Only in combination with drilling head MZK.2000    <sup>2)</sup> Only for INSERTA boss fixing



Do not use a hammer to insert the hinge into the drill hole.



# CLIP top BLUMOTION 110° hinge

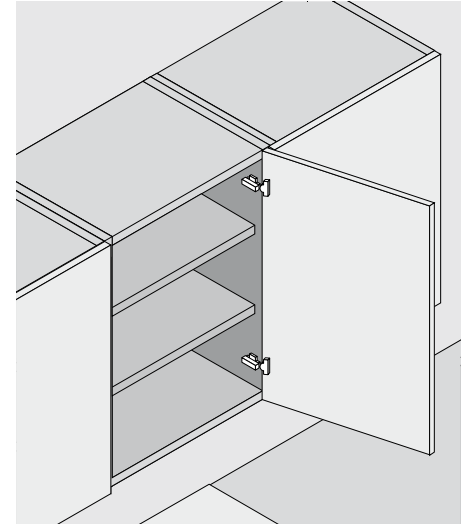
## Product



## Description

- All metal hinge, nickel plated
- 110° opening angle
- With integrated **BLUMOTION**
- With **BLUMOTION** deactivation facility
- with convenient spiral-tech depth adjustment
- Compatible with existing mounting plates
- With closing mechanism (spring)
- Tool-free door to cabinet assembly and removal
- 3-dimensional adjustment (with relevant mounting plate)
- With **INSERTA** tool-free boss assembly

## Application



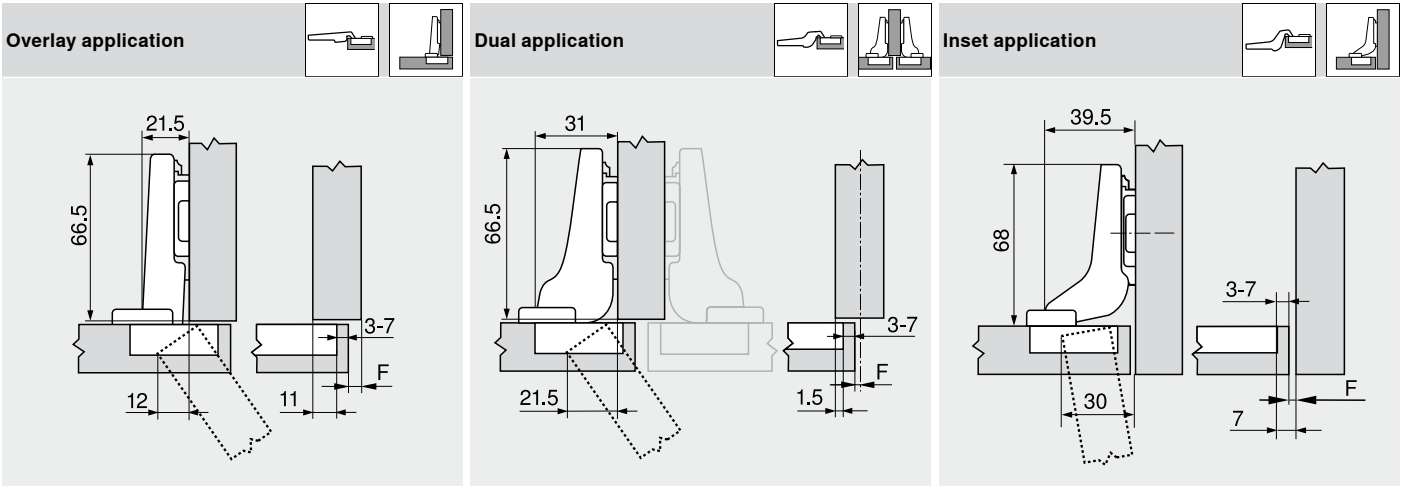
## Order specification

Overlay application		Dual application		Inset application	
	Boss <b>INSERTA</b>		Boss <b>INSERTA</b>		Boss <b>INSERTA</b>
Steel boss with spring	Part No. <b>71B3590</b>	Steel boss with spring	Part No. <b>71B3690</b>	Steel boss with spring	Part No. <b>71B3790</b>
	Boss <b>Screw-on</b>		Boss <b>Screw-on</b>		Boss <b>Screw-on</b>
Steel boss with spring	<b>71B3550</b>	Steel boss with spring	<b>71B3650</b>	Steel boss with spring	<b>71B3750</b>
	Boss <b>Knock-in</b>		Boss <b>Knock-in</b>		Boss <b>Knock-in</b>
Steel boss with spring	<b>40</b> <b>MZM.0040</b> <b>71B3580</b>	Steel boss with spring	<b>40</b> <b>MZM.0040</b> <b>71B3680</b>	Steel boss with spring	<b>40</b> <b>MZM.0040</b> <b>71B3780</b>
	<b>Cover caps</b>		<b>Cover caps</b>		<b>Cover caps</b>
Steel	Nickel plated	Steel	Nickel plated	Steel	Nickel plated
Plain	<b>70.1503</b>	Plain	<b>70.1663</b>	Plain	<b>70.1663</b>
Stamped	Blum <b>70.1503.BP</b>	Screen print	Blum <b>70.1663.BL</b>	Screen print	Blum <b>70.1663.BL</b>
<b>Accessories</b>					
	<b>Chipboard screws for hinge boss fixing</b>		<b>Boss cover cap for screw-on/knock-in boss</b>		<b>Opening angle stop 86°</b>
3.5 x 15 mm	<b>609.1500</b>	Steel	Nickel plated <b>70T3504</b>	Nylon	<b>70T3553</b>
3.5 x 17 mm	<b>609.1700</b>				

# Planning

## Hinge dimensions and gap calculation based on factory setting (mounting plate spacing = 0 mm)

Hinge and door protrusion at full opening angle



F Gap

Set mounting plate fixing position back by door thickness + 1.5 mm

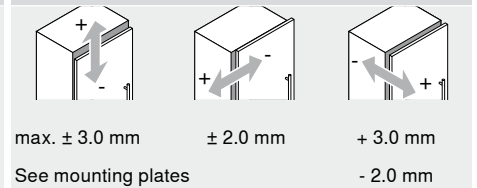
### Drilling distance

	Front overlay																													
	5	6	7	8	9	10	11	12	13	14	15	16	17	18	4.5	3.5	2.5	1.5	0.5	0.5	1.5	2.5	3.5	4.5	5.5	6.5	7.5	8.5		
0																														
3																														
6																														
9																														
	Mounting plate																													

### Minimum gap for doors with radiused edges (R = 1 mm) based on factory setting

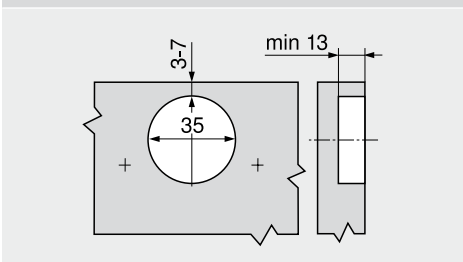
Door thickness	Door thickness												
	16	18	19	20	21	22	23	24	25	26	28	30	32
3	0.5	0.8	1.0	1.2	1.5	1.8	2.2	2.7	3.5	4.3	A trial application is recommended		
4	0.5	0.8	1.0	1.2	1.4	1.7	2.0	2.5	3.1	3.8			
5	0.5	0.8	0.9	1.2	1.4	1.7	2.0	2.4	2.9	3.4			
6	0.5	0.8	0.9	1.2	1.3	1.6	1.9	2.3	2.7	3.2			
7	0.5	0.8	0.9	1.1	1.3	1.6	1.9	2.2	2.6	3.0			
Additional for + 2 mm side adjustment													
	+0.2	+0.4	+0.4	+0.5	+0.5	+0.5	+0.5	+0.5	+0.5	+0.5	+0.5	+0.5	

### Adjustments

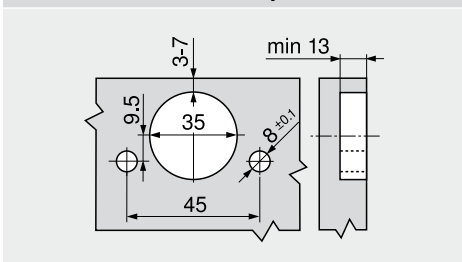


max. ± 3.0 mm      ± 2.0 mm      + 3.0 mm  
See mounting plates      - 2.0 mm

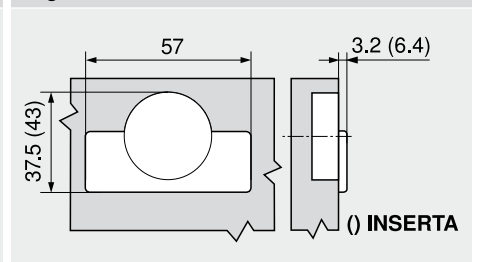
### Screw-on



### INSERTA / knock-in assembly



### Hinge boss dimensions



# CLIP top BLUMOTION 110° special hinge

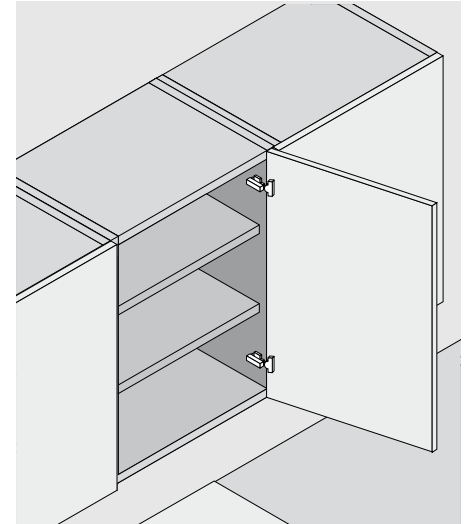
## Product



## Description

- All metal hinge, nickel plated
- Hinge with large overlay for thick cabinet sides
- 110° opening angle
- With integrated **BLUMOTION**
- With **BLUMOTION** deactivation facility
- with convenient spiral-tech depth adjustment
- Compatible with existing mounting plates
- With closing mechanism (spring)
- Tool-free door to cabinet assembly and removal
- 3-dimensional adjustment (with relevant mounting plate)
- With **INSERTA** tool-free boss assembly

## Application



## Order specification

Overlay application			
	Boss <b>INSERTA</b>		Part No.
Steel boss with spring			<b>73B3590</b>
	Boss <b>Screw-on</b>		
Steel boss with spring			<b>73B3550</b>
	Boss <b>Knock-in</b>		<b>MZM.0040</b>
Steel boss with spring			<b>73B3580</b>

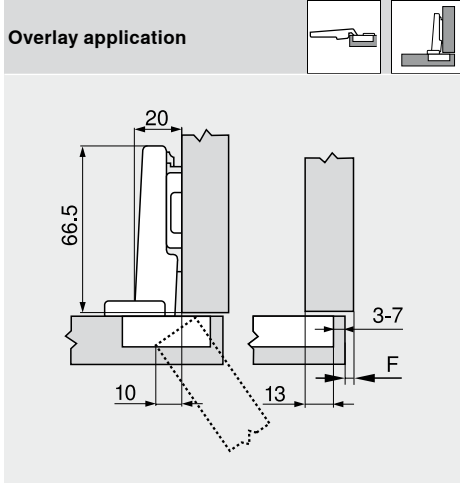
Cover caps	
Steel	Nickel plated
Plain	<b>70.1503</b>
Stamped	Blum <b>70.1503.BP</b>

Accessories			
	<b>Chipboard screws for hinge boss fixing</b>		
3.5 x 15 mm		<b>609.1500</b>	
3.5 x 17 mm		<b>609.1700</b>	
	<b>Boss cover cap for screw-on/knock-in boss</b>		
Steel	Nickel plated	<b>70T3504</b>	
	<b>Opening angle stop 86°</b>		
Nylon			<b>70T3553</b>

## Planning

Hinge dimensions and gap calculation based on factory setting (mounting plate spacing = 0 mm)

Hinge and door protrusion at full opening angle



F Gap

### Drilling distance

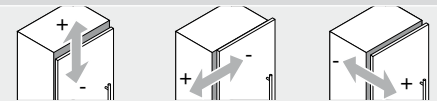
	Front overlay																				
	7	8	9	10	11	12	13	14	15	16	17	18	19	20	7	8	9	10	11	12	
0															3	4	5	6	7		
3															3	4	5	6	7		
6															3	4	5	6	7		
9	3	4	5	6	7																

↑ Mounting plate

### Minimum gap for doors with radiused edges (R = 1 mm) based on factory setting

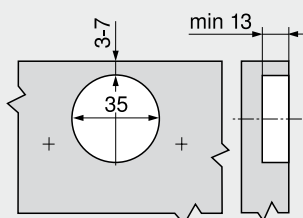
	Door thickness												
	16	18	19	20	21	22	23	24	25	26	28	30	32
3	0.5	0.8	1.0	1.2	1.5	1.8	2.2	2.7	3.5	4.3	A trial application is recommended		
4	0.5	0.8	1.0	1.2	1.4	1.7	2.0	2.5	3.1	3.8			
5	0.5	0.8	0.9	1.2	1.4	1.7	2.0	2.4	2.9	3.4			
6	0.5	0.8	0.9	1.2	1.3	1.6	1.9	2.3	2.7	3.2			
7	0.5	0.8	0.9	1.1	1.3	1.6	1.9	2.2	2.6	3.0			
Additional for + 2 mm side adjustment													
	+0.2	+0.4	+0.4	+0.5	+0.5	+0.5	+0.5	+0.5	+0.5	+0.5	+0.5	+0.5	

### Adjustments

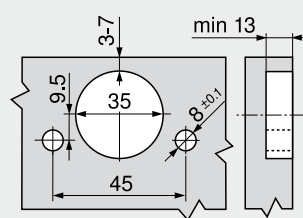


max. ± 3.0 mm      ± 2.0 mm      + 3.0 mm  
See mounting plates      - 2.0 mm

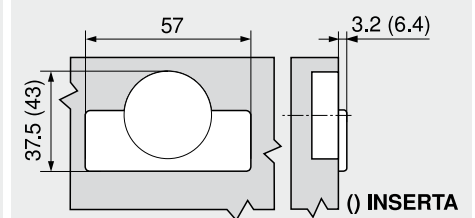
### Screw-on



### INSERTA / knock-in assembly



### Hinge boss dimensions





# CLIP top 155° hinge

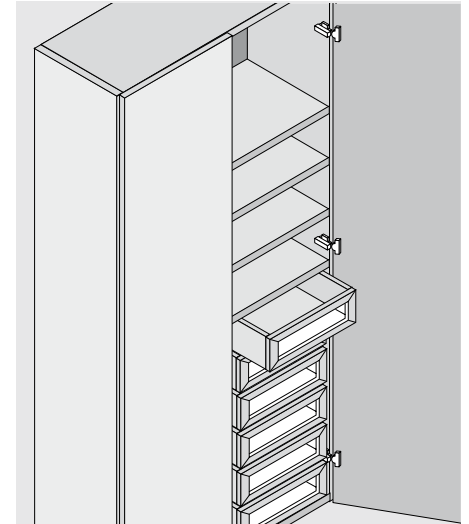
## Product



## Description

- All metal hinge, nickel plated
- 155° opening angle
- For cabinets with inner drawers or pull-outs
- with convenient spiral-tech depth adjustment
- Compatible with existing mounting plates
- With or without closing mechanism (spring)
- Tool-free door to cabinet assembly and removal
- 3-dimensional adjustment (with relevant mounting plate)
- With **INSERTA** tool-free boss assembly

## Application



## Order specification

Overlay application 0-protrusion hinge			
	Boss <b>INSERTA</b>		Part No.
Zinc boss with spring			<b>71T7540N</b>
Zinc boss unsprung			<b>70T7540NTL</b>

Dual application			
	Boss <b>INSERTA</b>		Part No.
Zinc boss with spring			<b>71T7640N</b>

Inset application			
Use hinges for a dual application and a 9 mm spaced mounting plate			

Boss Screw-on			
Zinc boss with spring			<b>71T7500N</b>
Zinc boss unsprung			<b>70T7500NTL</b>

Boss Screw-on			
Zinc boss with spring			<b>71T7600N</b>

Boss Knock-in				
Zinc boss with spring			<b>40</b>	<b>MZM.0040</b>
				<b>71T7530N</b>

BLUMOTION 973A			
			<b>973A7000</b>

BLUMOTION 973A			
			<b>973A7000</b>

Accessories			
Chipboard screws for hinge boss fixing			
3.5 x 15 mm			<b>609.1500</b>
3.5 x 17 mm			<b>609.1700</b>

Cover caps			
Steel	Nickel plated		
Plain			<b>70.7503</b>
Screen print			<b>70.7503.BL</b>
No cover cap is required when using BLUMOTION 973A.			

Cover caps			
Steel	Nickel plated		
Plain			<b>70.7503</b>
Screen print			<b>70.7503.BL</b>
No cover cap is required when using BLUMOTION 973A.			

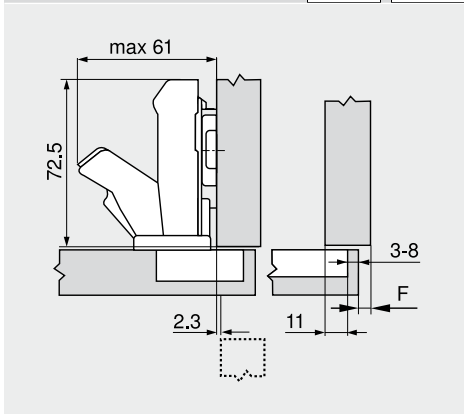
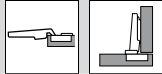
Opening angle stop 110°			
Nylon			<b>70T7503N</b>

## Planning

### Hinge dimensions and gap calculation based on factory setting (mounting plate spacing = 0 mm or 9 mm)

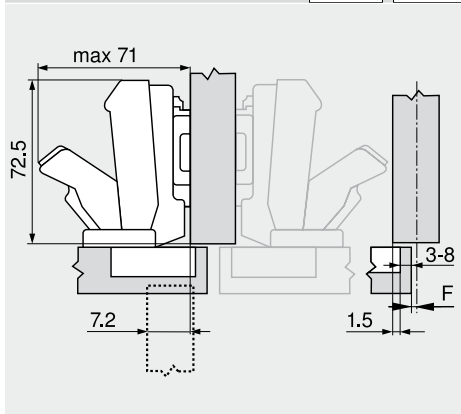
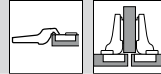
Door protrusion for 90° opening angle

#### Overlay application 0-protrusion hinge

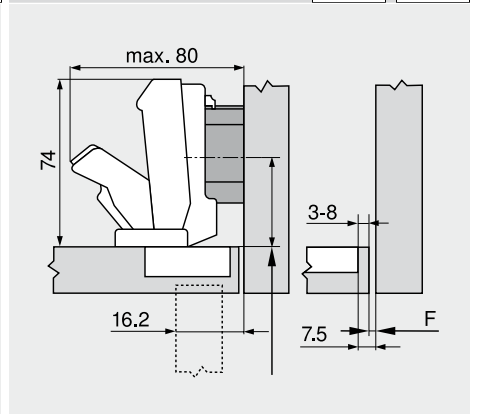
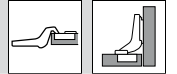


F Gap

#### Dual application



#### Inset application



Set mounting plate fixing position back by door thickness + 1.5 mm

#### Drilling distance

	Front overlay															
	5	6	7	8	9	10	11	12	13	14	15	16	17	18	19	
0											3	4	5	6	7	8
3							3	4	5	6	7	8				
6				3	4	5	6	7	8							
9	3	4	5	6	7	8										

↙ Mounting plate

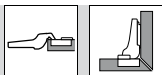
	Front overlay															
	-4.5	-1.5	-0.5	0.5	1.5	2.5	3.5	4.5	5.5	6.5	7.5	8.5	9.5			
0																
3					3	4	5	6	7	8						
6		3	4	5	6	7	8									
9	3	6	7	8												

↙ Mounting plate

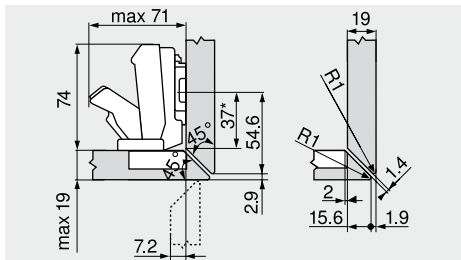
	Front overlay									
	-4.5	-3.5	-2.5	-1.5	-0.5					
0										
3										
6										
9						3	4	5	6	7

↙ Mounting plate

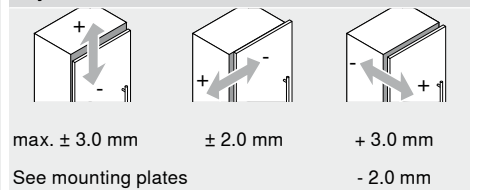
#### Mitred application



Mounting plate 0 mm  
 Hinge for dual applications  
 Surrounding mitred applications for 19 mm door thickness  
 \* 37 mm for mounting plate with dimension A=37 mm



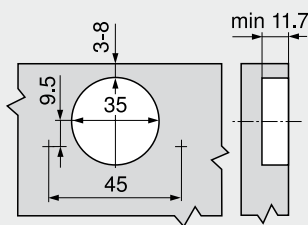
#### Adjustments



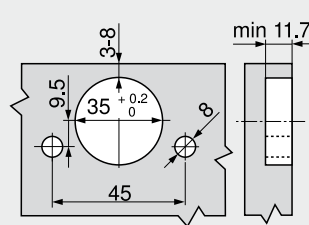
#### Minimum gap for doors with radiused edges (R = 1 mm) based on factory setting

For doors up to 24 mm thick no gap is required.  
 We recommend a trial application for door thicknesses more than 24 mm or an application adjacent to the wall.

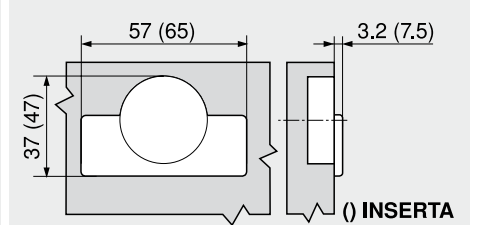
#### Screw-on



#### INSERTA / knock-in assembly



#### Hinge boss dimensions



# CLIP top BLUMOTION Profile door hinge

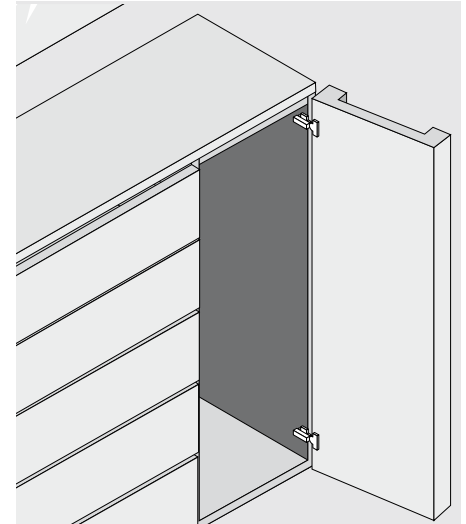
## Product



## Description

- All metal hinge, nickel plated
- Hinge for thick doors and doors with profile
- 95° opening angle
- With integrated **BLUMOTION**
- With **BLUMOTION** deactivation facility
- with convenient spiral-tech depth adjustment
- Compatible with existing mounting plates
- With closing mechanism (spring)
- Tool-free door to cabinet assembly and removal
- 3-dimensional adjustment (with relevant mounting plate)
- With **INSERTA** tool-free boss assembly

## Application



## Order specification

Overlay application			
	Boss <b>INSERTA</b>		Part No.
Steel boss with spring			<b>71B9590</b>

Dual application			
	Boss <b>INSERTA</b>		Part No.
Steel boss with spring			<b>71B9690</b>

Inset application			
	Boss <b>INSERTA</b>		Part No.
Steel boss with spring			<b>71B9790</b>

	Boss <b>Screw-on</b>		
Steel boss with spring			<b>71B9550</b>

	Boss <b>Screw-on</b>		
Steel boss with spring			<b>71B9650</b>

	Boss <b>Screw-on</b>		
Steel boss with spring			<b>71B9750</b>

	Boss <b>Knock-in</b>		<b>MZM.0040</b>
Steel boss with spring			<b>71B9580</b>

	Boss <b>Knock-in</b>		<b>MZM.0040</b>
Steel boss with spring			<b>71B9680</b>

	Boss <b>Knock-in</b>		<b>MZM.0040</b>
Steel boss with spring			<b>71B9780</b>

Cover caps			
	Steel		Nickel plated
Plain			<b>70.1563</b>
Screen print	Blum		<b>70.1563.BL</b>

Cover caps			
	Steel		Nickel plated
Plain			<b>70.1663</b>
Screen print	Blum		<b>70.1663.BL</b>

Cover caps			
	Steel		Nickel plated
Plain			<b>70.1663</b>
Screen print	Blum		<b>70.1663.BL</b>

## Accessories

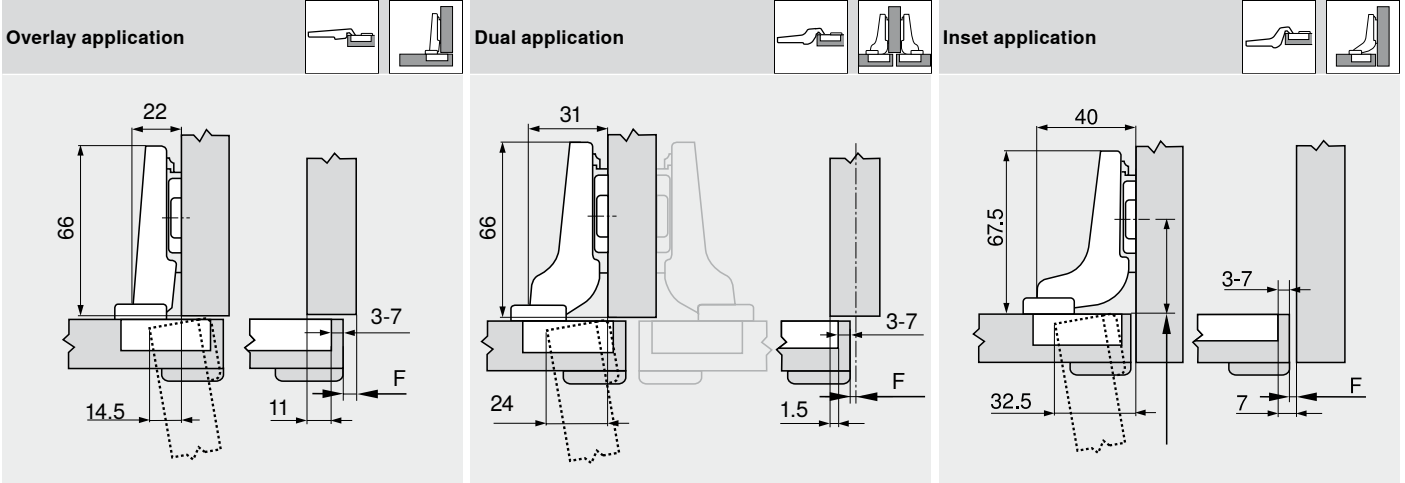
	<b>Chipboard screws for hinge boss fixing</b>		
3.5 x 15 mm			<b>609.1500</b>
3.5 x 17 mm			<b>609.1700</b>

	<b>Boss cover cap for screw-on/knock-in boss</b>		
Steel	Nickel plated		<b>70T3504</b>

# Planning

## Hinge dimensions and gap calculation based on factory setting (mounting plate spacing = 0 mm)

Hinge and door protrusion at full opening angle



F Gap

Set mounting plate fixing position back by door thickness + 1.5 mm

### Drilling distance

	Front overlay													
	5	7	8	9	10	11	12	13	14	15	16	17	18	
0														3 4 5 6 7
3						3	4	5	6	7				
6			3	4	5	6	7							
9	3	5	6	7										
	↖ Mounting plate													

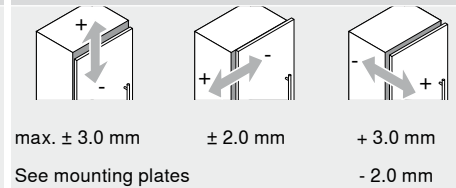
	Front overlay													
	-4.5	-2.5	-1.5	-0.5	0.5	1.5	2.5	3.5	4.5	5.5	6.5	7.5	8.5	
0														3 4 5 6 7
3						3	4	5	6	7				
6			3	4	5	6	7							
9	3	5	6	7										
	↖ Mounting plate													

	Front overlay									
	-4	-3	-2	-1	0					
0										3 4 5 6 7
3										
6										
9										
	↖ Mounting plate									

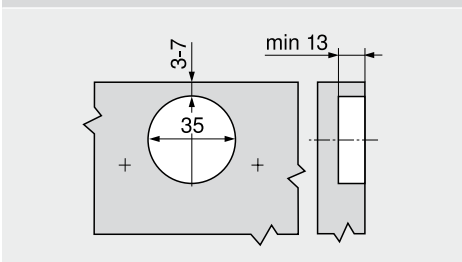
### Minimum gap for doors with radiused edges (R = 1 mm) based on factory setting

	Door thickness											
	16	18	19	20	22	24	26	28	29	30	31	32
3	0.2	0.3	0.4	0.5	0.8	1	1.5	1.9	2.8	3.6	4.5	5.4
4	0.2	0.3	0.4	0.5	0.7	1	1.4	1.8	2.5	3.1	4.0	4.8
5	0.2	0.3	0.4	0.5	0.7	1	1.4	1.8	2.3	2.7	3.5	4.3
6	0.2	0.3	0.4	0.5	0.7	1	1.4	1.8	2.2	2.5	3.2	3.8
7	0.2	0.3	0.4	0.5	0.7	0.9	1.4	1.7	2.1	2.4	3.0	3.5
Additional for + 2 mm side adjustment												
	+0.1	+0.2	+0.2	+0.2	+0.3	+0.4	+0.4	+0.5	+0.4	+0.4	+0.4	+0.3

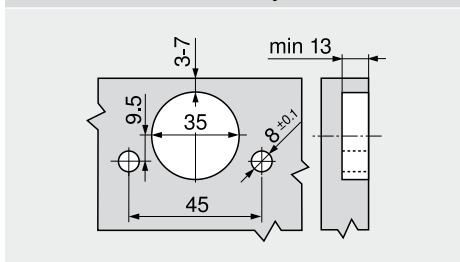
### Adjustments



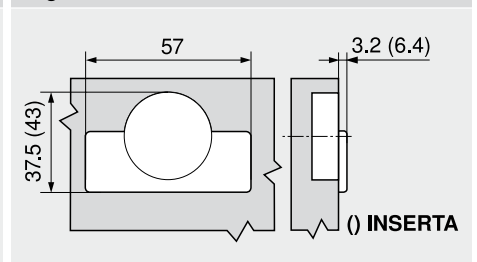
### Screw-on



### INSERTA / knock-in assembly



### Hinge boss dimensions



# CLIP top BLUMOTION Aluminium frame door hinge

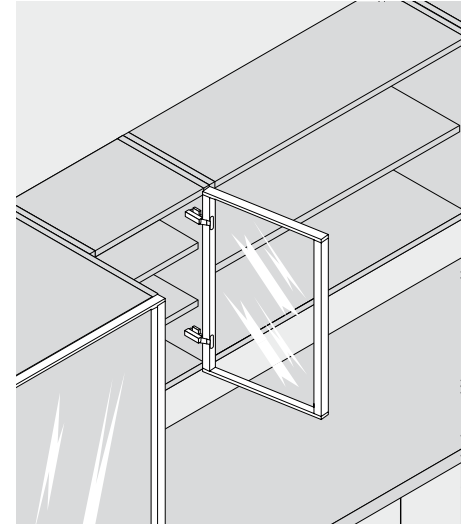
## Product



## Description

- All metal hinge, nickel plated
- Hinge for narrow alu frame doors
- 95° opening angle
- With integrated **BLUMOTION**
- With **BLUMOTION** deactivation facility
- with convenient spiral-tech depth adjustment
- Compatible with existing mounting plates
- With closing mechanism (spring)
- Tool-free door to cabinet assembly and removal
- 3-dimensional adjustment (with relevant mounting plate)
- Boss fixing screws are included

## Application



## Order specification

Overlay application			
	Boss		Part No.
	Screw-on		
Zinc boss with spring	<b>71B950A</b>		

Dual application			
	Boss		Part No.
	Screw-on		
Zinc boss with spring	<b>71B960A</b>		

Inset application			
	Boss		Part No.
	Screw-on		
Zinc boss with spring	<b>71B970A</b>		

Cover caps		
	Steel	Nickel plated
Plain		<b>70.1563</b>
Screen print	Blum	<b>70.1563.BL</b>

Cover caps		
	Steel	Nickel plated
Plain		<b>70.1663</b>
Screen print	Blum	<b>70.1663.BL</b>

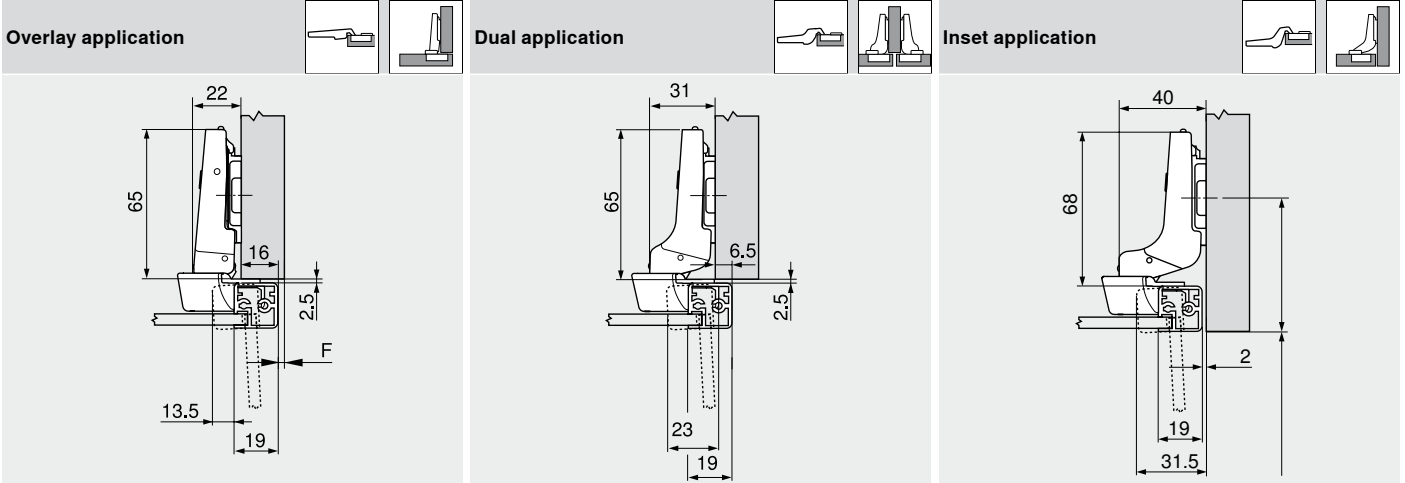
Cover caps		
	Steel	Nickel plated
Plain		<b>70.1663</b>
Screen print	Blum	<b>70.1663.BL</b>



# Planning

## Hinge dimensions and gap calculation based on factory setting (mounting plate spacing = 0 mm)

Hinge and door protrusion at full opening angle

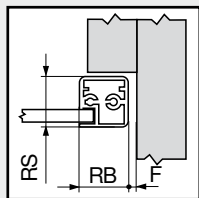


F Gap

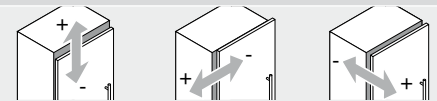
Set mounting plate fixing position back by door thickness + 2.5 mm

## Minimum gap for doors with radiuses edges (R = 1 mm) based on factory setting

## Adjustments



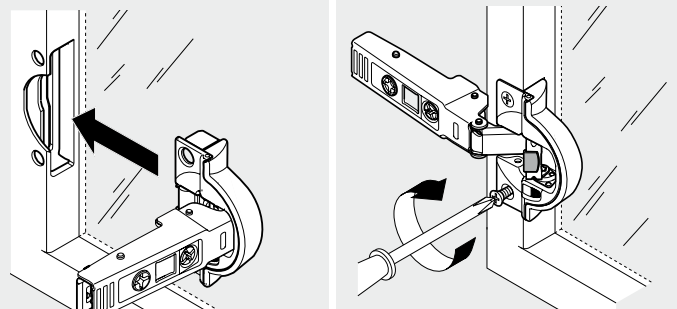
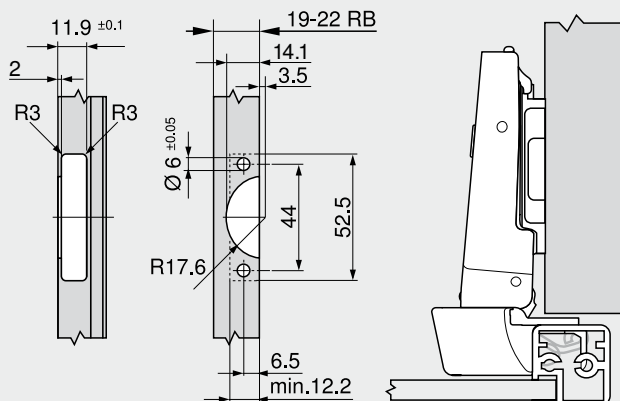
		RS Frame thickness										
		18	19	20	21	22	24	26	28	30	32	
RB Frame width	18	0.2	0.3	0.4	0.6	0.7	1.2	A trial application is recommended				
	19	0.2	0.3	0.4	0.6	0.7	1.2					
	20	0.2	0.3	0.4	0.5	0.7	1.1					
	21	0.2	0.3	0.4	0.5	0.7	1.0					
	22	0.2	0.3	0.4	0.5	0.7	1.1					
		Additional for + 2 mm side adjustment										
		+0.1	+0.1	+0.2	+0.2	+0.3	+0.3					



max. ± 3.0 mm      ± 2.0 mm      + 3.0 mm  
See mounting plates      - 2.0 mm

## Screw-on

## Assembly



RB Frame width

# CLIP top BLUMOTION

## Blind corner hinge inset application

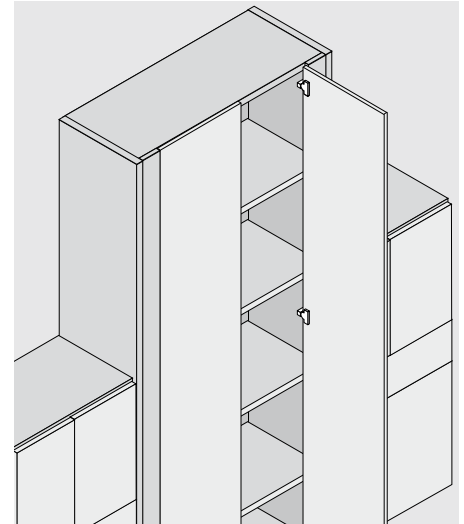
### Product





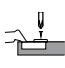
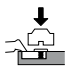

### Description


- All metal hinge, nickel plated
- Hinge for blind corner applications
- 95° opening angle
- With integrated **BLUMOTION**
- With **BLUMOTION** deactivation facility
- with convenient spiral-tech depth adjustment
- Compatible with existing mounting plates
- With closing mechanism (spring)
- Tool-free door to cabinet assembly and removal
- 3-dimensional adjustment (with relevant mounting plate)
- With **INSERTA** tool-free boss assembly

### Application




### Order specification

Inset		
	Boss <b>INSERTA</b>	Part No.
Steel boss with spring		<b>79B9590</b>
	Boss <b>Screw-on</b>	
Steel boss with spring		<b>79B9550</b>
	Boss <b>Knock-in</b>	 <b>MZM.0040</b>
Steel boss with spring		<b>79B9580</b>

Cover caps		
	Steel	Nickel plated
Plain		<b>70.1503</b>
Stamped	Blum	<b>70.1503.BP</b>

### Accessories

Chipboard screws for hinge boss fixing		
	3.5 x 15 mm	<b>609.1500</b>
	3.5 x 17 mm	<b>609.1700</b>

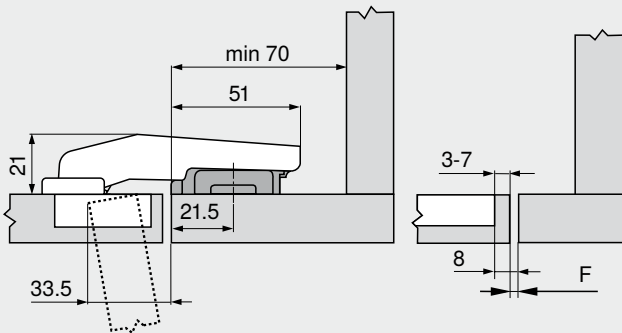
Boss cover cap for screw-on/knock-in boss		
	Steel	Nickel plated <b>70T3504</b>

# Planning

## Hinge dimensions and gap calculation based on factory setting (mounting plate spacing = 3 mm)

Hinge and door protrusion at full opening angle

### Inset



Move standard mounting plate fixing positions 15.5 mm nearer the edge of the blind corner (i.e. set back by 21.5 mm).

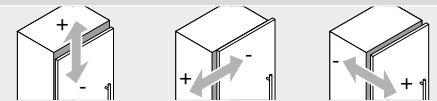
Use 3 mm spaced standard mounting plates only to ensure door and blind corner are flush on the inside.

F Gap

### Minimum gap for doors with radiused edges (R = 1 mm) based on factory setting

Drilling distance	Door thickness											
	16	18	19	20	22	24	26	28	29	30	31	32
3	0.2	0.3	0.4	0.5	0.8	1	1.5	1.9	A trial application is recommended			
4	0.2	0.3	0.4	0.5	0.7	1	1.4	1.8				
5	0.2	0.3	0.4	0.5	0.7	1	1.4	1.8				
6	0.2	0.3	0.4	0.5	0.7	1	1.4	1.8				
7	0.2	0.3	0.4	0.5	0.7	0.9	1.4	1.7				

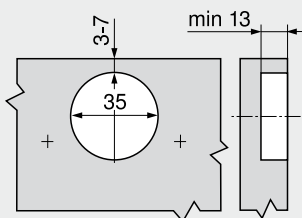
### Adjustments



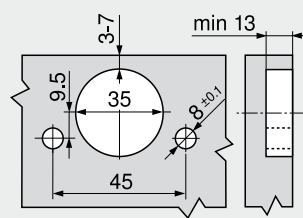
max. ± 3.0 mm      ± 2.5 mm      ± 1.0 mm

See mounting plates

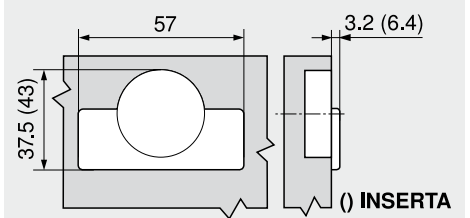
### Screw-on



### INSERTA / knock-in assembly



### Hinge boss dimensions



( ) INSERTA

# CLIP top BLUMOTION +45° I – angled hinge half overlay

## Product



## Description

- All metal hinge, nickel plated
- 45° I angled hinge
- For corner cabinets with set back fronts
- 95° opening angle
- With integrated **BLUMOTION**
- With **BLUMOTION** deactivation facility
- with convenient spiral-tech depth adjustment
- Compatible with existing mounting plates
- With closing mechanism (spring)
- Tool-free door to cabinet assembly and removal
- 3-dimensional adjustment (with relevant mounting plate)
- With **INSERTA** tool-free boss assembly

## Application

	40°	45°	50°
	N° 23 33	N° 24 35	N° 25 33
	-	N° 53 33	N° 54 33
	N° 8 37	N° 9 35	N° 10 35
	N° 43 37	N° 44 37	N° 45 37
	-	N° 60 33	N° 61 33

## Order specification

	Boss <b>INSERTA</b>	Part No.
Steel boss with spring		<b>79B9698</b>

	Boss <b>Screw-on</b>	Part No.
Steel boss with spring		<b>79B9658</b>

	<b>Cover caps</b>	
Steel		Nickel plated
Plain		<b>70.1563</b>
Screen print	Blum	<b>70.1563.BL</b>

	<b>Accessories</b> Chipboard screws for hinge boss fixing
3.5 x 15 mm	<b>609.1500</b>
3.5 x 17 mm	<b>609.1700</b>

	<b>Boss cover cap for screw-on boss</b>
Steel	Nickel plated
	<b>70T3504</b>

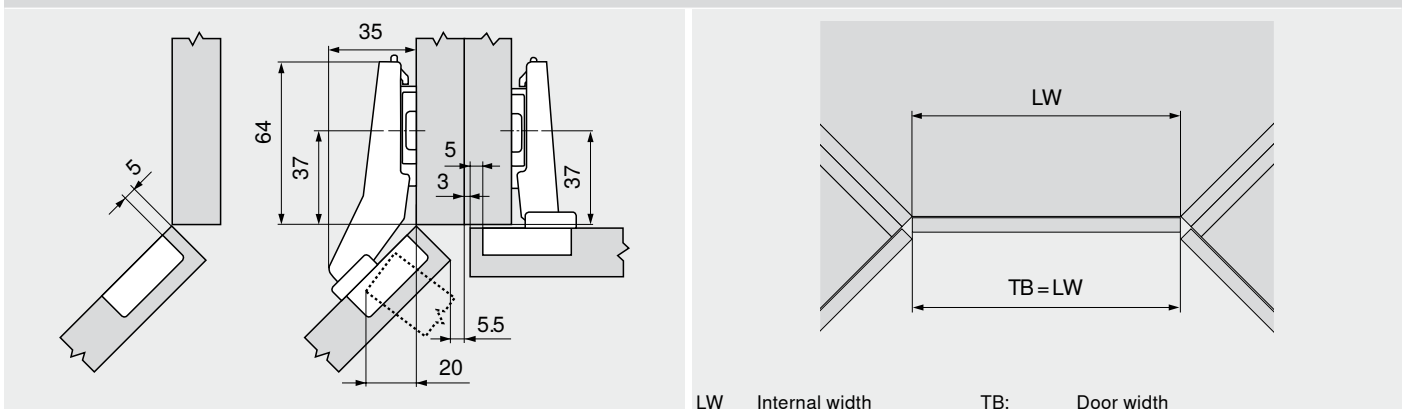
## Planning

### Important:

These dimensions are based on a 19 mm door and cabinet side thickness. Dimensions would need to be altered if either thickness varied from 19 mm.

A trial application is recommended. Some applications require the mounting plate to be moved from the standard fixing positions.

### Corner cabinet

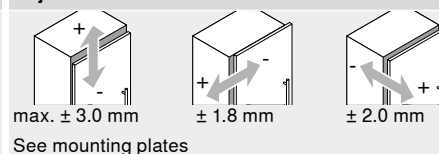


# Planning

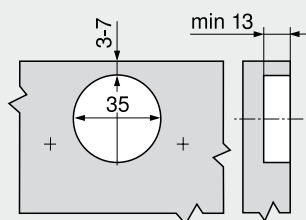
<b>N° 23</b> <b>40°</b>					<b>N° 53</b> <b>45°</b>				<b>N° 60</b> <b>45°</b>			
Angled spacer	-5°	<b>171A5500</b>	Mounting plate	0 mm	<b>173H7100</b>	Part No.	Part No.	Part No.	Part No.	Part No.	Part No.	
Mounting plate	9 mm	<b>175H7190</b>										

<b>N° 25</b> <b>50°</b>					<b>N° 54</b> <b>50°</b>					<b>N° 61</b> <b>50°</b>				
Angled spacer	+5°	<b>171A5070</b>	Angled spacer	+5°	<b>171A5010</b>	Part No.	Part No.	Part No.	Part No.	Part No.	Part No.			
Mounting plate	9 mm	<b>175H7190</b>	Mounting plate	0 mm	<b>173H7100</b>			Mounting plate	0 mm	<b>173H7100</b>				

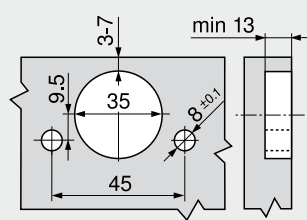
## Adjustments



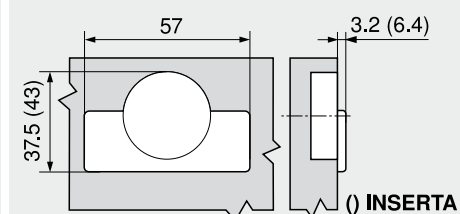
## Screw-on



## INSERTA / knock-in assembly



## Hinge boss dimensions



# CLIP top BLUMOTION +45° II – angled hinge overlay

## Product



## Description

- All metal hinge, nickel plated
- +45° II angled hinge
- 110° opening angle
- For corner cabinets with flush fronts
- With integrated **BLUMOTION**
- With **BLUMOTION** deactivation facility
- with convenient spiral-tech depth adjustment
- Compatible with existing mounting plates
- With closing mechanism (spring)
- Tool-free door to cabinet assembly and removal
- 3-dimensional adjustment (with relevant mounting plate)
- With **INSERTA** tool-free boss assembly

## Application

	40°	45°	50°
	N° 23 33	N° 24 35	N° 25 33
	-	N° 53 33	N° 54 33
	N° 8 37	N° 9 35	N° 10 35
	N° 43 37	N° 44 37	N° 45 37
	-	N° 60 33	N° 61 33

## Order specification

	Part No.
<b>INSERTA</b> Steel boss with spring	<b>79B3598</b>

	Part No.
<b>Screw-on</b> Steel boss with spring	<b>79B3558</b>

	Part No.
<b>Cover caps</b> Steel	Nickel plated <b>70.1563</b>
Plain	<b>70.1563</b>
Screen print	Blum <b>70.1563.BL</b>

	Part No.
<b>Accessories</b> Chipboard screws for hinge boss fixing	
3.5 x 15 mm	<b>609.1500</b>
3.5 x 17 mm	<b>609.1700</b>

	Part No.
<b>Boss cover cap for screw-on boss</b>	
Steel	Nickel plated <b>70T3504</b>

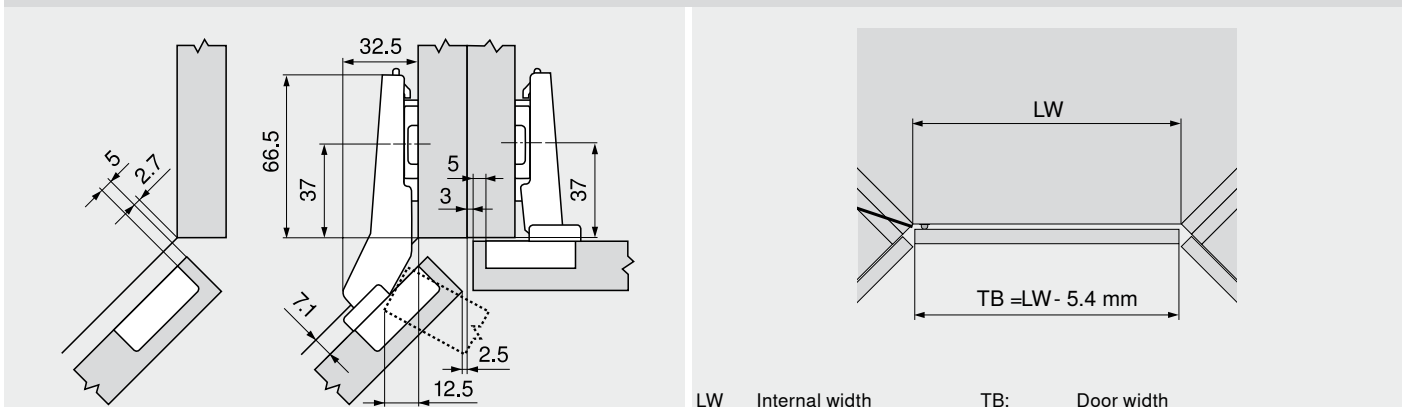
## Planning

### Important:

These dimensions are based on a 19 mm door and cabinet side thickness. Dimensions would need to be altered if either thickness varied from 19 mm.

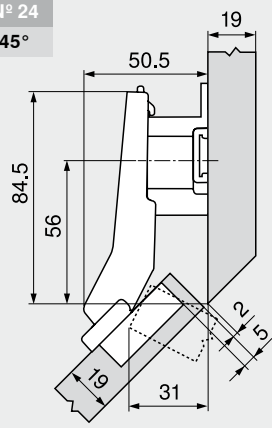
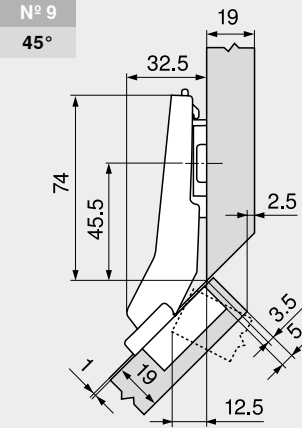
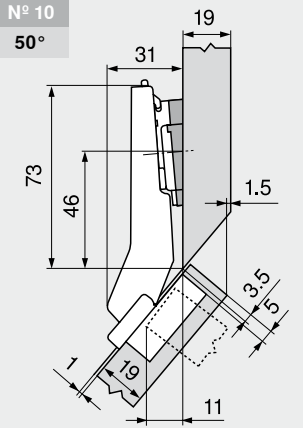
A trial application is recommended. Some applications require the mounting plate to be moved from the standard fixing positions.

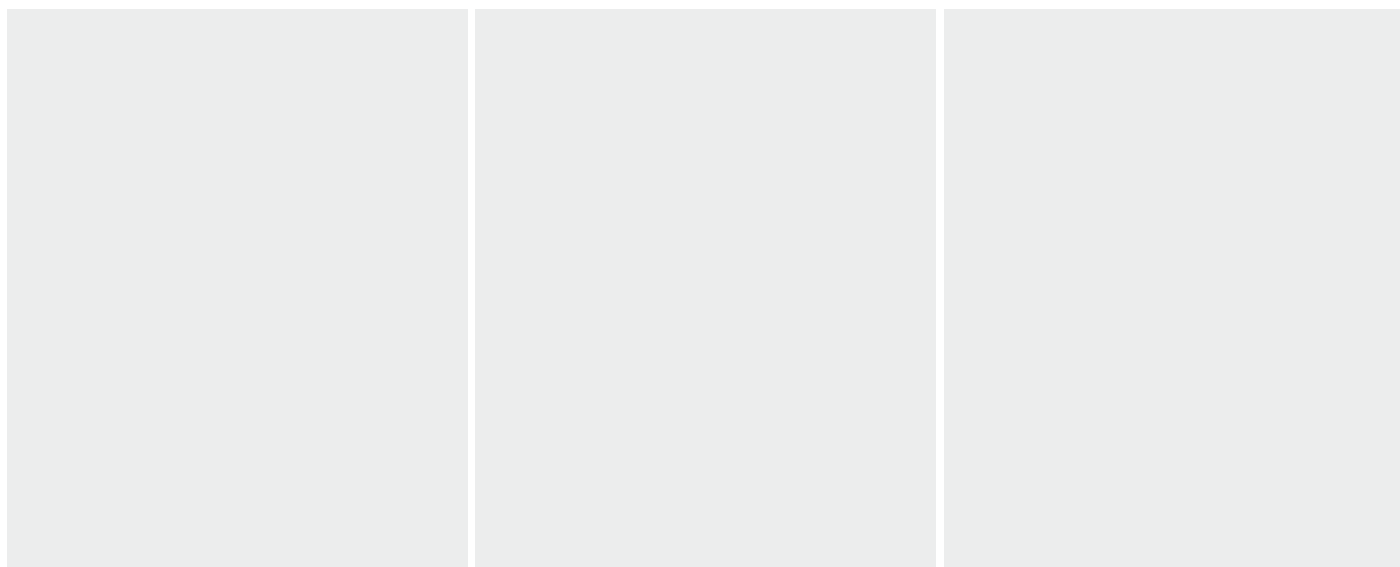
### Corner cabinet



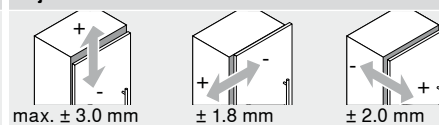


# Planning

<b>N° 24</b> <b>45°</b> 		<b>N° 9</b> <b>45°</b> 		<b>N° 10</b> <b>50°</b> 	
	Part No.		Part No.		Part No.
Mounting plate	18 mm	<b>175H7190.22</b>	Mounting plate	0 mm	<b>173H7100</b>
			Angled spacer	+5°	<b>171A5010</b>
			Mounting plate	0 mm	<b>173H7100</b>

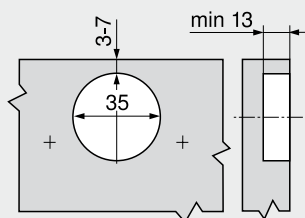


### Adjustments

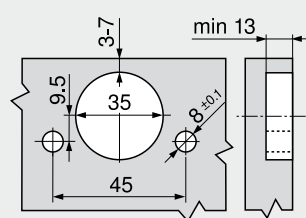


See mounting plates

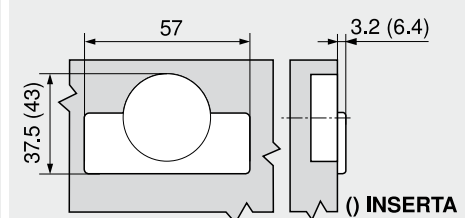
### Screw-on



### INSERTA assembly



### Hinge boss dimensions



# CLIP top BLUMOTION +45° III – angled hinge full overlay

## Product



## Description

- All metal hinge, nickel plated
- +45° III angled hinge
- 95° opening angle
- With integrated **BLUMOTION**
- With **BLUMOTION** deactivation facility
- with convenient spiral-tech depth adjustment
- Compatible with existing mounting plates
- With closing mechanism (spring)
- Tool-free door to cabinet assembly and removal
- 3-dimensional adjustment (with relevant mounting plate)
- With **INSERTA** tool-free boss assembly

## Application

	40°	45°	50°
	N° 23 33	N° 24 35	N° 25 33
	-	N° 53 33	N° 54 33
	N° 8 37	N° 9 35	N° 10 35
	N° 43 37	N° 44 37	N° 45 37
	-	N° 60 33	N° 61 33

## Order specification

	Boss <b>INSERTA</b>	Part No.
Steel boss with spring		<b>79B9498</b>

	Boss <b>Screw-on</b>	Part No.
Steel boss with spring		<b>79B9458</b>

	<b>Cover caps</b>	
Steel		Nickel plated
Plain		<b>70.1563</b>
Screen print	Blum	<b>70.1563.BL</b>

<b>Accessories</b>	
	<b>Chipboard screws for hinge boss fixing</b>
3.5 x 15 mm	<b>609.1500</b>
3.5 x 17 mm	<b>609.1700</b>

	<b>Boss cover cap for screw-on boss</b>
Steel	Nickel plated
	<b>70T3504</b>

## Planning

### Important:

These dimensions are based on a 19 mm door and cabinet side thickness. Dimensions would need to be altered if either thickness varied from 19 mm.

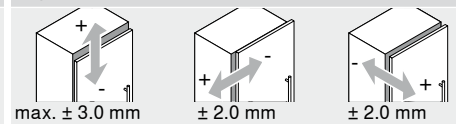
A trial application is recommended. Some applications require the mounting plate to be moved from the standard fixing positions.

# Planning

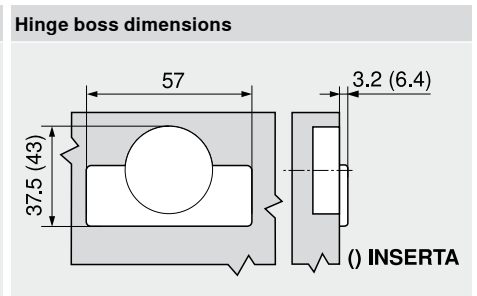
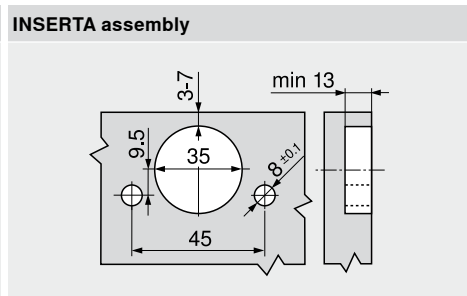
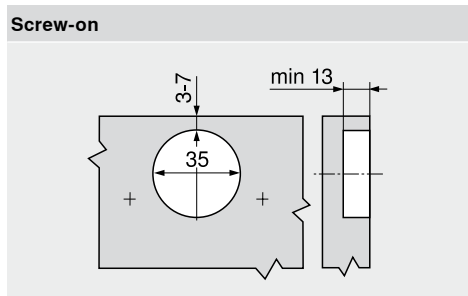
<b>N° 8</b> <b>40°</b>		<b>N° 43</b> <b>40°</b>		<b>N° 44</b> <b>45°</b>	
Part No.		Part No.		Part No.	
Angled spacer	-5°	<b>171A5500</b>	Angled spacer	-5°	<b>171A5500</b>
Mounting plate	6 mm	<b>175H9160</b>	Mounting plate	0 mm	<b>173H7100</b>
			Mounting plate	6 mm	<b>175H9160</b>

<b>N° 45</b> <b>50°</b>					
Part No.					
Angled spacer	+5°	<b>171A5070</b>			
Mounting plate	0 mm	<b>173H7100</b>			

### Adjustments



See mounting plates



# CLIP top BLUMOTION +30° II – angled hinge overlay

## Product



## Description

- All metal hinge, nickel plated
- + 30° II angled hinge
- 95° opening angle
- With integrated **BLUMOTION**
- With **BLUMOTION** deactivation facility
- with convenient spiral-tech depth adjustment
- Compatible with existing mounting plates
- With closing mechanism (spring)
- Tool-free door to cabinet assembly and removal
- 3-dimensional adjustment (with relevant mounting plate)
- With **INSERTA** tool-free boss assembly

## Application

	25°	30°	35°
	N° 20	N° 21	N° 22
	38	39	39
	N° 50	N° 51	N° 52
	38	39	39
	N° 5	N° 6	N° 7
	43	39	39
	N° 40	N° 41	N° 42
	41	41	41
	N° 57	N° 58	N° 59
	38	39	39

## Order specification

	Boss	Part No.
	<b>INSERTA</b>	
	Steel boss with spring	<b>79B9596</b>

	Boss	Part No.
	<b>Screw-on</b>	
	Steel boss with spring	<b>79B9556</b>

	Cover caps	Part No.
	Steel	Nickel plated
	Plain	<b>70.1563</b>
	Screen print Blum	<b>70.1563.BL</b>

	Accessories	Part No.
	<b>Chipboard screws for hinge boss fixing</b>	
	3.5 x 15 mm	<b>609.1500</b>
	3.5 x 17 mm	<b>609.1700</b>

	Boss cover cap for screw-on boss	Part No.
	Steel	Nickel plated
		<b>70T3504</b>

## Planning

### Important:

These dimensions are based on a 19 mm door and cabinet side thickness. Dimensions would need to be altered if either thickness varied from 19 mm.

A trial application is recommended. Some applications require the mounting plate to be moved from the standard fixing positions.

N° 20 25°		N° 50 25°		N° 57 25°	
Angled spacer	-5°	Angled spacer	-5°	Angled spacer	-5°
Mounting plate	9 mm	Mounting plate	0 mm	Mounting plate	0 mm
Part No.	<b>171A5500</b>	Part No.	<b>171A5500</b>	Part No.	<b>171A5500</b>
	<b>175H7190</b>		<b>173H7100</b>		<b>173H7100</b>

## Planning

<p><b>N° 21</b> 30°</p>		<p><b>N° 51</b> 30°</p>		<p><b>N° 6</b> 30°</p>	
<p>Mounting plate 18 mm</p>	<p>Part No. <b>175H7190.22</b></p>	<p>Mounting plate 9 mm</p>	<p>Part No. <b>175H7190</b></p>	<p>Mounting plate 0 mm</p>	<p>Part No. <b>173H7100</b></p>

<p><b>N° 58</b> 30°</p>		<p><b>N° 22</b> 35°</p>	<p>min. 20</p>	<p><b>N° 52</b> 35°</p>	<p>min. 25</p>
<p>Mounting plate 3 mm</p>	<p>Part No. <b>173H7130</b></p>	<p>Angled spacer +5°</p>	<p>Part No. <b>171A5010</b></p>	<p>Angled spacer +5°</p>	<p>Part No. <b>171A5070</b></p>
		<p>Mounting plate 18 mm</p>	<p>Part No. <b>175H7190.22</b></p>	<p>Mounting plate 0 mm</p>	<p>Part No. <b>173H7100</b></p>

<p><b>N° 7</b> 35°</p>	<p>min. 20</p>	<p><b>N° 59</b> 35°</p>	<p>min. 25</p>	<p><b>Adjustments</b></p> <p>max. ± 3.0 mm ± 1.8 mm ± 2.0 mm</p> <p>See mounting plates</p>
<p>Angled spacer +5°</p>	<p>Part No. <b>171A5010</b></p>	<p>Angled spacer +5°</p>	<p>Part No. <b>171A5040</b></p>	
<p>Mounting plate 0 mm</p>	<p>Part No. <b>173H7100</b></p>	<p>Mounting plate 0 mm</p>	<p>Part No. <b>173H7100</b></p>	

# CLIP top BLUMOTION +30° III – angled hinge full overlay

## Product



## Description

- All metal hinge, nickel plated
- +30° III angled hinge
- 95° opening angle
- With integrated **BLUMOTION**
- With **BLUMOTION** deactivation facility
- with convenient spiral-tech depth adjustment
- Compatible with existing mounting plates
- With closing mechanism (spring)
- Tool-free door to cabinet assembly and removal
- 3-dimensional adjustment (with relevant mounting plate)
- With **INSERTA** tool-free boss assembly

## Application

	25°	30°	35°
	N° 20 38	N° 21 39	N° 22 39
	N° 50 38	N° 51 39	N° 52 39
	N° 5 43	N° 6 39	N° 7 39
	N° 40 41	N° 41 41	N° 42 41
	N° 57 38	N° 58 39	N° 59 39

## Order specification

	Boss <b>INSERTA</b>	Part No.
	Steel boss with spring	<b>79B9496</b>

	Boss <b>Screw-on</b>	Part No.
	Steel boss with spring	<b>79B9456</b>

	Cover caps	
	Steel	Nickel plated
	Plain	<b>70.1563</b>
	Screen print	Blum <b>70.1563.BL</b>

Accessories	
	<b>Chipboard screws for hinge boss fixing</b>
3.5 x 15 mm	<b>609.1500</b>
3.5 x 17 mm	<b>609.1700</b>

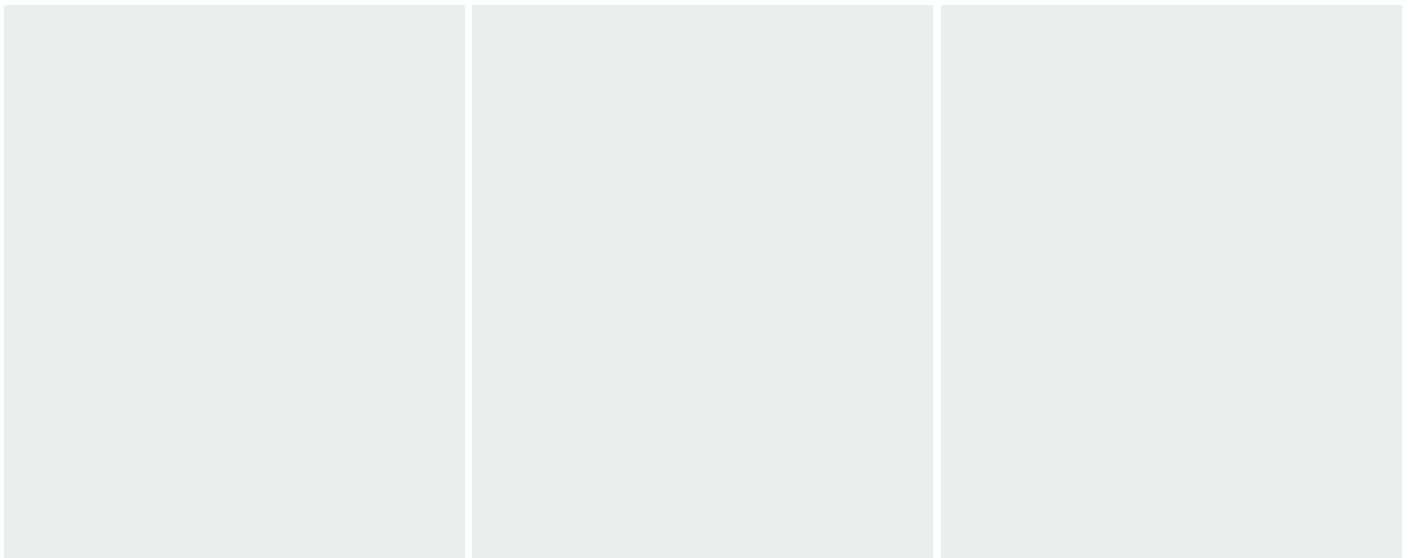
	Boss cover cap for screw-on boss	
	Steel	Nickel plated <b>70T3504</b>

## Planning

### Important:

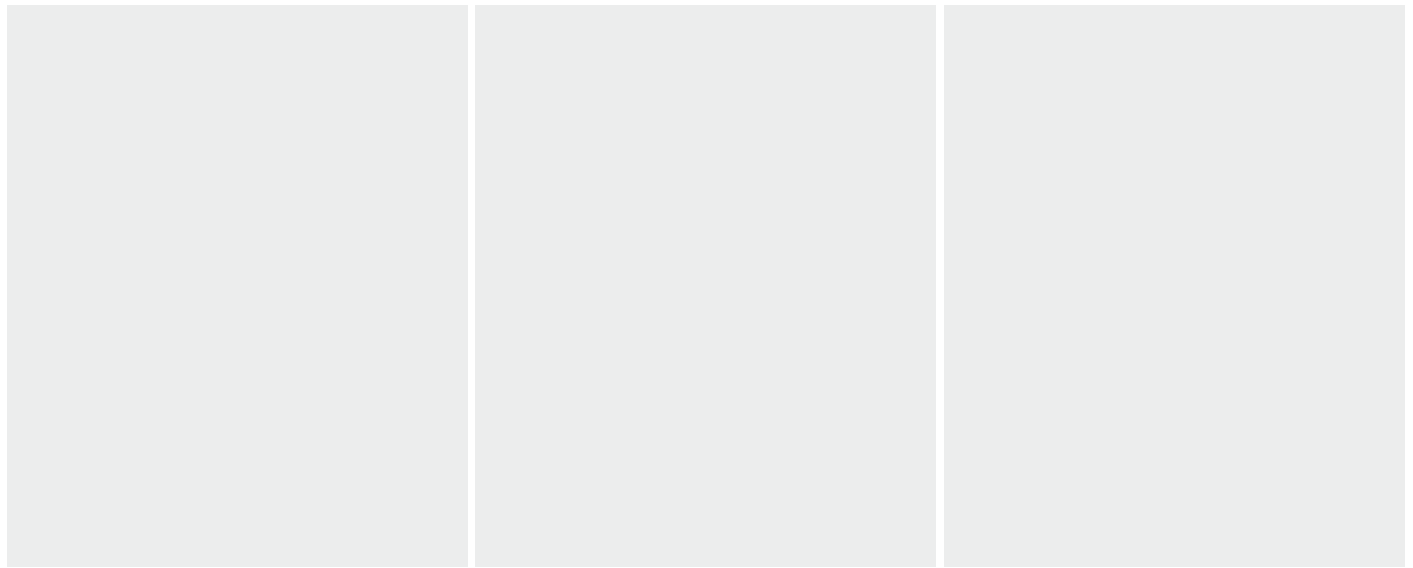
These dimensions are based on a 19 mm door and cabinet side thickness. Dimensions would need to be altered if either thickness varied from 19 mm.

A trial application is recommended. Some applications require the mounting plate to be moved from the standard fixing positions.

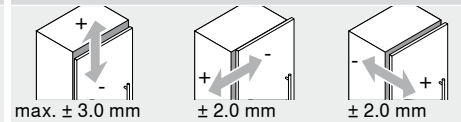


# Planning

N° 40 25°		N° 41 30°		N° 42 35°	
	Part No.		Part No.		Part No.
Angled spacer	-5°	<b>171A5500</b>	Mounting plate	6 mm	<b>175H9160</b>
Mounting plate	0 mm	<b>173H7100</b>			
Angled spacer	+5°	<b>171A5070</b>	Mounting plate	0 mm	<b>173H7100</b>
Mounting plate	0 mm	<b>173H7100</b>			

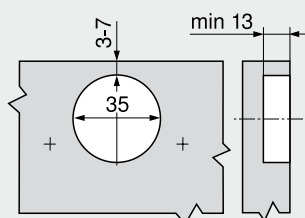


### Adjustments

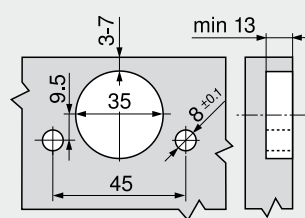


See mounting plates

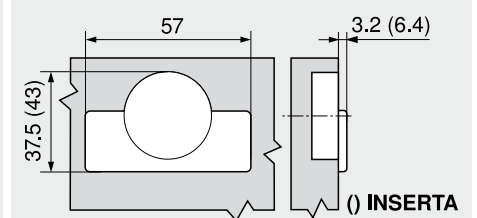
### Screw-on



### INSERTA assembly



### Hinge boss dimensions





# CLIP top BLUMOTION +20° II – angled hinge overlay

## Product



## Description

- All metal hinge, nickel plated
- +20° II angled hinge
- 95° opening angle
- With integrated **BLUMOTION**
- With **BLUMOTION** deactivation facility
- with convenient spiral-tech depth adjustment
- Compatible with existing mounting plates
- With closing mechanism (spring)
- Tool-free door to cabinet assembly and removal
- 3-dimensional adjustment (with relevant mounting plate)
- With **INSERTA** tool-free boss assembly

## Application

	15°	20°	25°
	N° 18	N° 19	N° 20
	42	43	38
	N° 48	N° 49	N° 50
	42	43	38
	N° 3	N° 4	N° 5
	45	43	43
	N° 38	N° 39	N° 40
	45	45	41
	N° 55	N° 56	N° 57
	42	43	38

## Order specification

	Part No.
<b>INSERTA</b> Steel boss with spring	<b>79B9595</b>

	Part No.
<b>Screw-on</b> Steel boss with spring	<b>79B9555</b>

	Part No.
<b>Cover caps</b> Steel	Nickel plated
Plain	<b>70.1563</b>
Screen print Blum	<b>70.1563.BL</b>

	Part No.
<b>Accessories</b> Chipboard screws for hinge boss fixing	
3.5 x 15 mm	<b>609.1500</b>
3.5 x 17 mm	<b>609.1700</b>

	Part No.
<b>Boss cover cap for screw-on boss</b>	
Steel	Nickel plated
	<b>70T3504</b>

## Planning

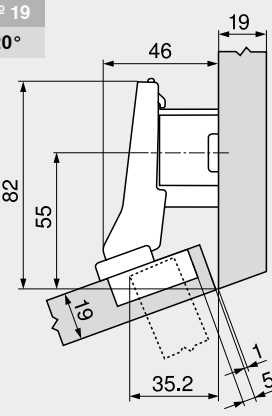
### Important:

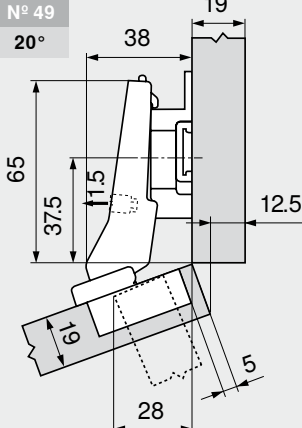
These dimensions are based on a 19 mm door and cabinet side thickness. Dimensions would need to be altered if either thickness varied from 19 mm.

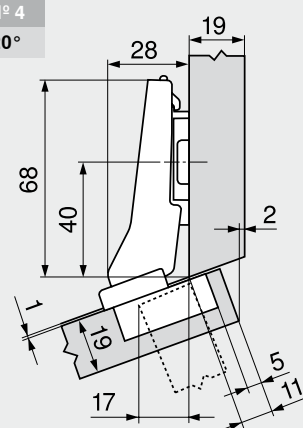
A trial application is recommended. Some applications require the mounting plate to be moved from the standard fixing positions.

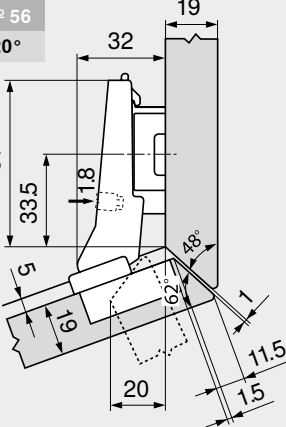
N° 18 15°		N° 48 15°		N° 55 15°	
Part No.	Part No.	Part No.	Part No.	Part No.	Part No.
Angled spacer -5°	<b>171A5500</b>	Angled spacer -5°	<b>171A5500</b>	Angled spacer -5°	<b>171A5500</b>
Mounting plate 9 mm	<b>175H7190</b>	Mounting plate 3 mm	<b>173H7130</b>	Mounting plate 0 mm	<b>173H7100</b>

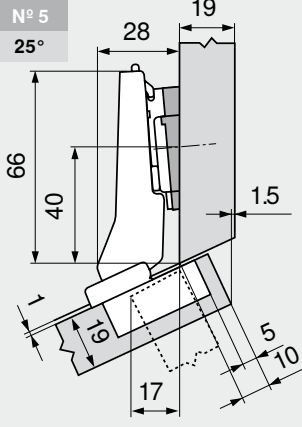
# Planning

<b>N° 19</b> <b>20°</b> 		<b>Part No.</b> <b>175H7190.22</b>	
Mounting plate	18 mm	Mounting plate	9 mm

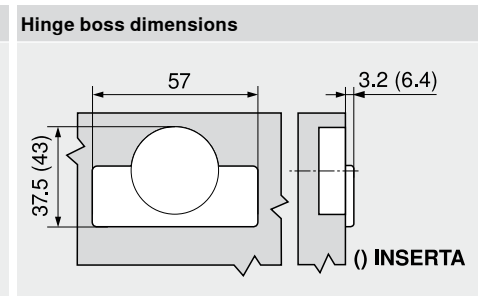
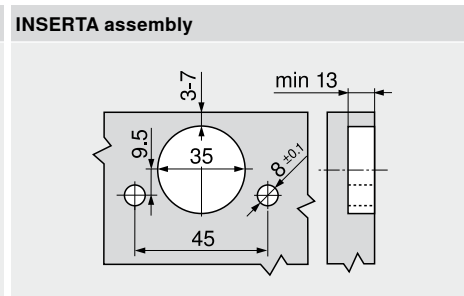
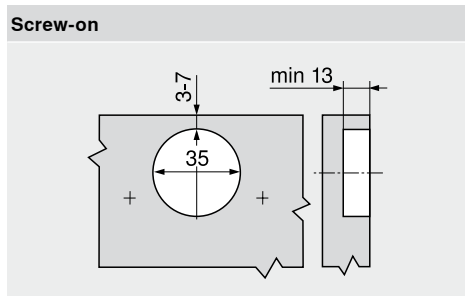
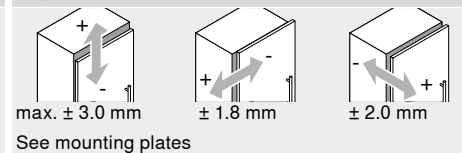
<b>N° 49</b> <b>20°</b> 		<b>Part No.</b> <b>175H7190</b>	
Mounting plate	9 mm	Mounting plate	0 mm

<b>N° 4</b> <b>20°</b> 		<b>Part No.</b> <b>173H7100</b>	
Mounting plate	0 mm	Mounting plate	0 mm

<b>N° 56</b> <b>20°</b> 		<b>Part No.</b> <b>175H9160</b>	
Mounting plate	6 mm	Angled spacer	+5°
		Mounting plate	0 mm

<b>N° 5</b> <b>25°</b> 		<b>Part No.</b> <b>171A5010</b>	
Angled spacer	+5°	Mounting plate	0 mm

## Adjustments



# CLIP top BLUMOTION +15° III – angled hinge full overlay

## Product



## Description

- All metal hinge, nickel plated
- +15° III angled hinge
- 95° opening angle
- With integrated **BLUMOTION**
- With **BLUMOTION** deactivation facility
- with convenient spiral-tech depth adjustment
- Compatible with existing mounting plates
- With closing mechanism (spring)
- Tool-free door to cabinet assembly and removal
- 3-dimensional adjustment (with relevant mounting plate)
- With **INSERTA** tool-free boss assembly

## Application

	10°	15°	20°
	N° 17 44	N° 18 42	N° 19 43
	N° 47 44	N° 48 42	N° 49 43
	N° 2 44	N° 3 45	N° 4 43
	N° 37 45	N° 38 45	N° 39 45
	-	N° 55 42	N° 56 43

## Order specification

Boss	Part No.
<b>INSERTA</b> Steel boss with spring	<b>79B9494</b>

Boss	Part No.
<b>Screw-on</b> Steel boss with spring	<b>79B9454</b>

Cover caps	Steel	Nickel plated
	Plain	<b>70.1563</b>
	Blum	<b>70.1563.BL</b>

Accessories	Part No.
<b>Chipboard screws for hinge boss fixing</b>	
3.5 x 15 mm	<b>609.1500</b>
3.5 x 17 mm	<b>609.1700</b>

Boss cover cap for screw-on boss	Steel	Nickel plated	Part No.
			<b>70T3504</b>

## Planning

### Important:

These dimensions are based on a 19 mm door and cabinet side thickness. Dimensions would need to be altered if either thickness varied from 19 mm.

A trial application is recommended. Some applications require the mounting plate to be moved from the standard fixing positions.

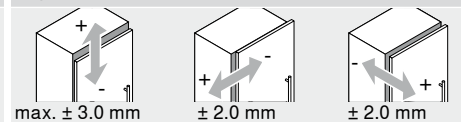
N° 17 10°	N° 47 10°	N° 2 10°
Part No.	Part No.	Part No.
Angled spacer -5° <b>171A5500</b>	Angled spacer -5° <b>171A5500</b>	Angled spacer -5° <b>171A5500</b>
Mounting plate 18 mm <b>175H7190.22</b>	Mounting plate 18 mm <b>175H7190.22</b>	Mounting plate 0 mm <b>173H7100</b>

# Planning

<b>N° 37</b> <b>10°</b>				<b>N° 3</b> <b>15°</b>				<b>N° 38</b> <b>15°</b>			
		Part No.			Part No.			Part No.			
Angled spacer	-5°	<b>171A5500</b>	Mounting plate	9 mm	<b>175H7190</b>	Mounting plate	6 mm	<b>175H9160</b>			
Mounting plate	0 mm	<b>173H7100</b>									

<b>N° 39</b> <b>20°</b>										
		Part No.								
Angled spacer	+5°	<b>171A5070</b>								
Mounting plate	0 mm	<b>173H7100</b>								

### Adjustments



See mounting plates

<b>Screw-on</b> 	<b>INSERTA / knock-in assembly</b> 	<b>Hinge boss dimensions</b> 
---------------------	--	----------------------------------

( ) INSERTA

# CLIP top BLUMOTION ±5° angled application

## Product



## Description

- All metal hinge, nickel plated
- ±5° angled application
- With integrated **BLUMOTION**
- With **BLUMOTION** deactivation facility
- 95° opening angle
- with convenient spiral-tech depth adjustment
- Compatible with existing mounting plates
- With closing mechanism (spring)
- Tool-free door to cabinet assembly and removal
- 3-dimensional adjustment (with relevant mounting plate)
- With **INSERTA** tool-free boss assembly

## Application

	-5°		5°
	N° 15 47		N° 16 47
	-		N° 46 47
	-		N° 1 47
	N° 35 47		N° 36 47
	-		-

## Order specification

Overlay application			
	Boss <b>INSERTA</b>		Part No.
Steel boss with spring			<b>71B9590</b>

Dual application			
	Boss <b>INSERTA</b>		Part No.
Steel boss with spring			<b>71B9690</b>

Inset application			
	Boss <b>INSERTA</b>		Part No.
Steel boss with spring			<b>71B9790</b>

Boss Screw-on			
	Boss <b>Screw-on</b>		Part No.
Steel boss with spring			<b>71B9550</b>

Boss Screw-on			
	Boss <b>Screw-on</b>		Part No.
Steel boss with spring			<b>71B9650</b>

Boss Screw-on			
	Boss <b>Screw-on</b>		Part No.
Steel boss with spring			<b>71B9750</b>

Cover caps		
	Steel	Nickel plated
Plain		<b>70.1563</b>
Stamped	Blum	<b>70.1563.BL</b>

Cover caps		
	Steel	Nickel plated
Plain		<b>70.1663</b>
Screen print	Blum	<b>70.1663.BL</b>

Cover caps		
	Steel	Nickel plated
Plain		<b>70.1663</b>
Screen print	Blum	<b>70.1663.BL</b>

## Accessories

Boss cover cap for screw-on boss		
	Steel	Nickel plated
		<b>70T3504</b>

Chipboard screws for hinge boss fixing		
	3.5 x 15 mm	<b>609.1500</b>
	3.5 x 17 mm	<b>609.1700</b>

## Planning

### Important:

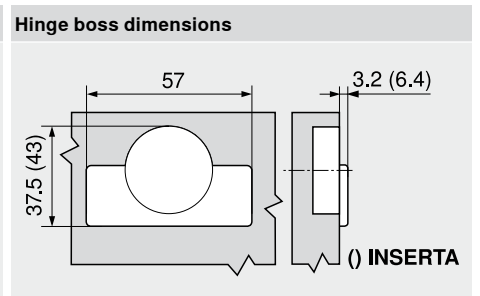
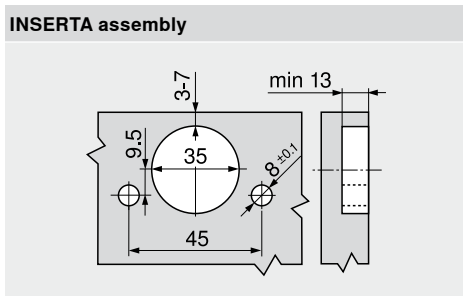
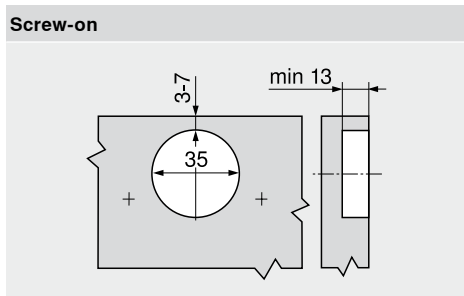
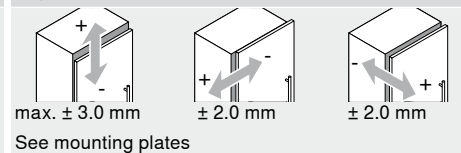
These dimensions are based on a 19 mm door and cabinet side thickness. Dimensions would need to be altered if either thickness varied from 19 mm. A trial application is recommended. Some applications require the mounting plate to be moved from the standard fixing positions.

# Planning

<p><b>N° 15</b> -5°</p>	<p><b>N° 35</b> -5°</p>	<p><b>N° 16</b> 5°</p>
Part No.	Part No.	Part No.
Angled spacer -5° <b>171A5500</b>	Mounting plate -5 mm <b>171A5500</b>	Mounting plate +5 mm <b>171A5010</b>
Mounting plate 0 mm <b>173H7100</b>	Mounting plate 0 mm <b>173H7100</b>	Mounting plate 0 mm <b>173H7100</b>
Hinge with cranked hinge arm	Hinge with straight hinge arm	Hinge with double cranked hinge arm

<p><b>N° 46</b> 5°</p>	<p><b>N° 1</b> 5°</p>	<p><b>N° 36</b> 5°</p>
Part No.	Part No.	Part No.
Angled spacer +5° <b>171A5070</b>	Angled spacer +5° <b>171A5010</b>	Angled spacer +5° <b>171A5010</b>
Mounting plate 0 mm <b>173H7100</b>	Mounting plate 0 mm <b>173H7100</b>	Mounting plate 0 mm <b>173H7100</b>
Hinge with cranked hinge arm	Hinge with straight hinge arm	Hinge with straight hinge arm

### Adjustments



# CLIP top BLUMOTION -15° III – angled hinge full overlay

## Product



## Description

- All metal hinge, nickel plated
- -15° III angled hinge
- 110° opening angle
- With integrated **BLUMOTION**
- With **BLUMOTION** deactivation facility
- with convenient spiral-tech depth adjustment
- Compatible with existing mounting plates
- With closing mechanism (spring)
- Tool-free door to cabinet assembly and removal
- 3-dimensional adjustment (with relevant mounting plate)
- With **INSERTA** tool-free boss assembly

## Application

	-20°	-15°	-10°
	N° 12	N° 13	N° 14
	49	49	49
	-	-	-
	-	-	-
	N° 32	N° 33	N° 34
	49	49	49
	-	-	-
	-	-	-

## Order specification

	Boss <b>INSERTA</b>	Part No.
Steel boss with spring		<b>79B3493</b>

	Boss <b>Screw-on</b>	Part No.
Steel boss with spring		<b>79B3453</b>

	Cover caps	
Steel		Nickel plated
Plain		<b>70.1563</b>
Screen print	Blum	<b>70.1563.BL</b>

Accessories	
	<b>Chipboard screws for hinge boss fixing</b>
3.5 x 15 mm	<b>609.1500</b>
3.5 x 17 mm	<b>609.1700</b>

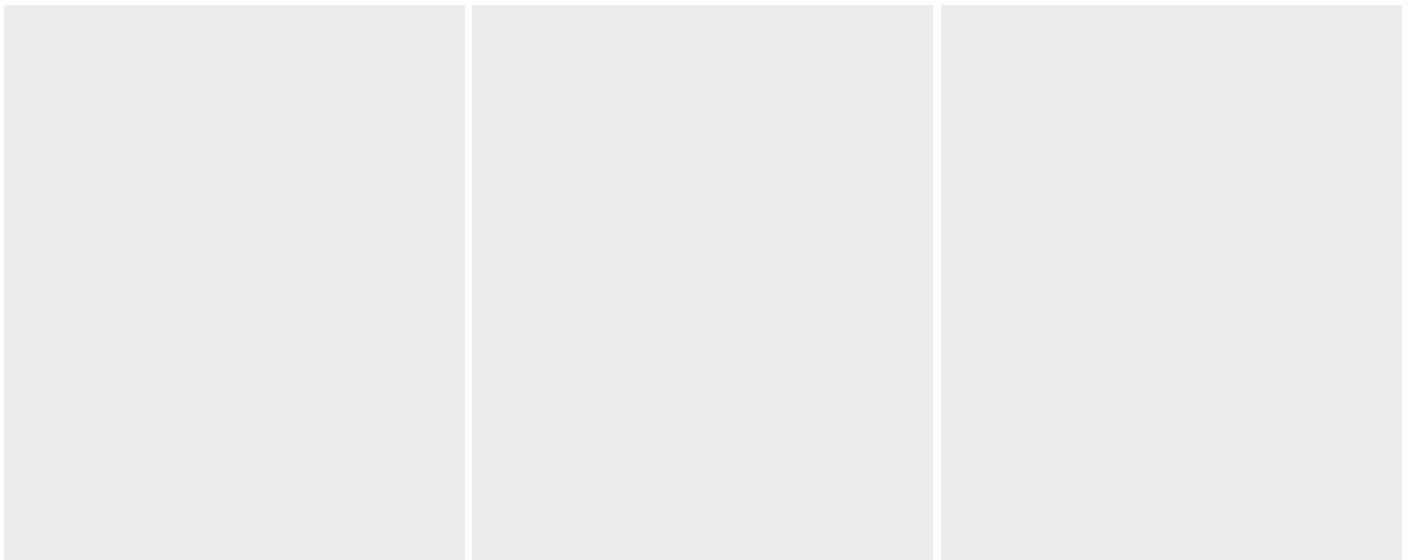
	Boss cover cap for screw-on boss	
Steel	Nickel plated	<b>70T3504</b>

## Planning

### Important:

These dimensions are based on a 19 mm door and cabinet side thickness. Dimensions would need to be altered if either thickness varied from 19 mm.

A trial application is recommended. Some applications require the mounting plate to be moved from the standard fixing positions.



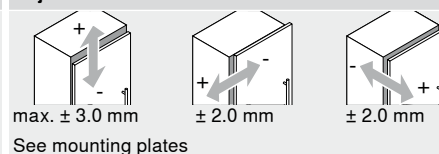


# Planning

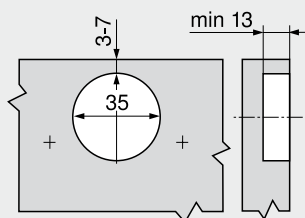
<b>N° 12</b> <b>-20°</b>		<b>N° 32</b> <b>-20°</b>		<b>N° 13</b> <b>-15°</b>	
	Part No.		Part No.		Part No.
Angled spacer	-5°	<b>171A5500</b>	Angled spacer	-5°	<b>171A5500</b>
Mounting plate	6 mm	<b>175H9160</b>	Mounting plate	0 mm	<b>173H7100</b>
			Mounting plate	18 mm	<b>175H7190.22</b>

<b>N° 33</b> <b>-15°</b>		<b>N° 14</b> <b>-10°</b>		<b>N° 34</b> <b>-10°</b>	
	Part No.		Part No.		Part No.
Mounting plate	0 mm	<b>173H7100</b>	Angled spacer	+5°	<b>171A5070</b>
			Mounting plate	9 mm	<b>175H7190</b>
			Angled spacer	+5°	<b>171A5010</b>
			Mounting plate	0 mm	<b>173H7100</b>

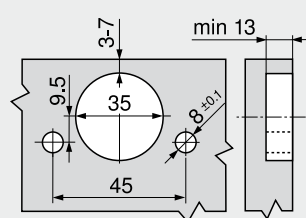
### Adjustments



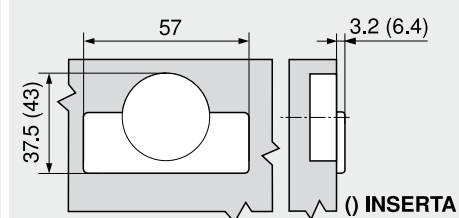
### Screw-on



### INSERTA assembly



### Hinge boss dimensions



# CLIP top BLUMOTION -30° III – angled hinge full overlay

## Product



## Description

- All metal hinge, nickel plated
- -30° III angled hinge
- 110° opening angle
- With integrated **BLUMOTION**
- With **BLUMOTION** deactivation facility
- with convenient spiral-tech depth adjustment
- Compatible with existing mounting plates
- With closing mechanism (spring)
- Tool-free door to cabinet assembly and removal
- 3-dimensional adjustment (with relevant mounting plate)
- With **INSERTA** tool-free boss assembly

## Application

	-35°	-30°	-25°
	-	-	N° 11
	-	-	51
	N° 29	N° 30	N° 31
	51	51	51
	-	-	-

## Order specification

	Boss <b>INSERTA</b>	Part No.
Steel boss with spring		<b>79B3491</b>

	Boss <b>Screw-on</b>	Part No.
Steel boss with spring		<b>79B3451</b>

	Cover caps	
Steel		Nickel plated
Plain		<b>70.1563</b>
Screen print	Blum	<b>70.1563.BL</b>

Accessories	
	<b>Chipboard screws for hinge boss fixing</b>
3.5 x 15 mm	<b>609.1500</b>
3.5 x 17 mm	<b>609.1700</b>

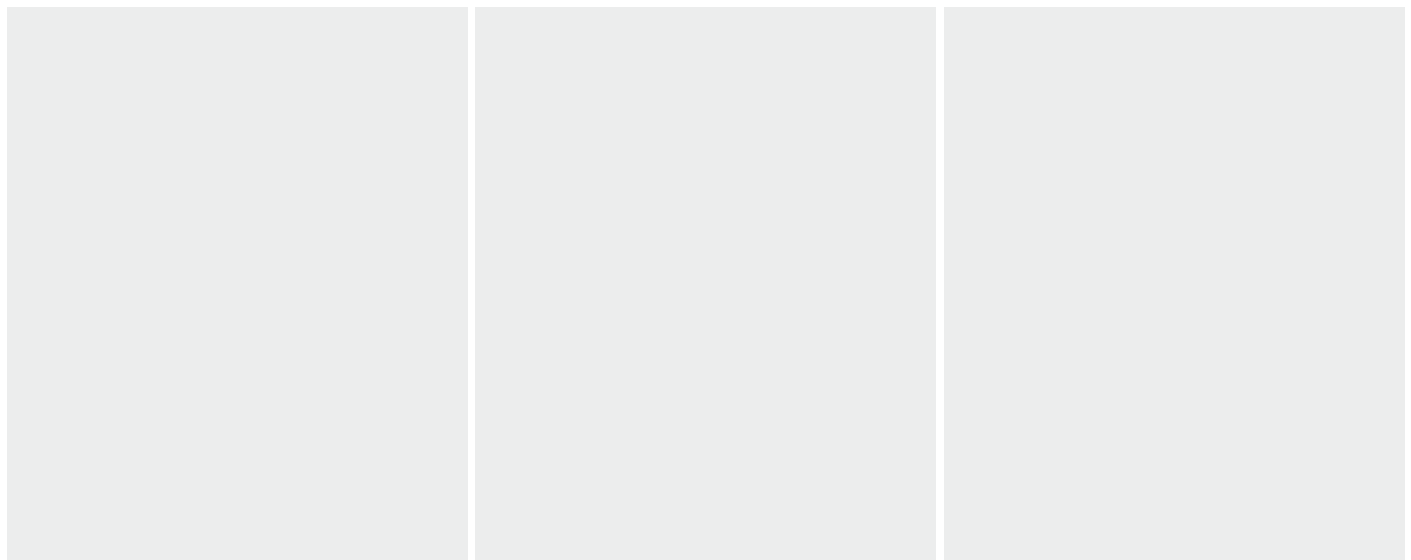
	Boss cover cap for screw-on boss	
Steel	Nickel plated	<b>70T3504</b>

## Planning

### Important:

These dimensions are based on a 19 mm door and cabinet side thickness. Dimensions would need to be altered if either thickness varied from 19 mm.

A trial application is recommended. Some applications require the mounting plate to be moved from the standard fixing positions.



# Planning

**N° 29**  
**-35°**

Part No.

Angled spacer	-5°	<b>171A5500</b>
Mounting plate	0 mm	<b>173H7100</b>

**N° 30**  
**-30°**

Part No.

Angled spacer	-5°	<b>171A5500</b>
Mounting plate	3 mm	<b>173H7130</b>

**N° 11**  
**-25°**

Part No.

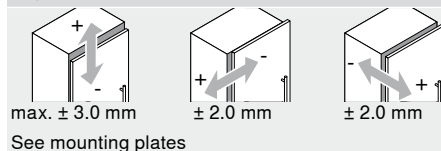
Angled spacer	+5°	<b>171A5070</b>
Mounting plate	9 mm	<b>175H7190</b>

**N° 31**  
**-25°**

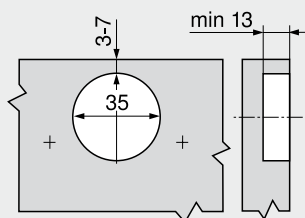
Part No.

Angled spacer	+5°	<b>171A5040</b>
Mounting plate	0 mm	<b>173H7100</b>

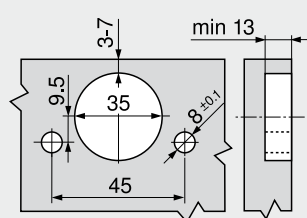
## Adjustments



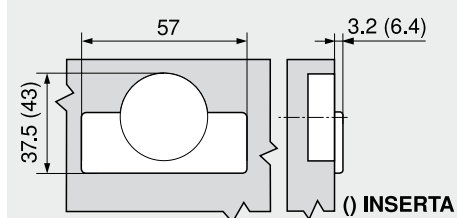
## Screw-on



## INSERTA assembly



## Hinge boss dimensions



# CLIP top BLUMOTION

## -45° III – angled hinge full overlay

### Product



### Description

- All metal hinge, nickel plated
- -45° III angled hinge
- 110° opening angle
- With integrated **BLUMOTION**
- With **BLUMOTION** deactivation facility
- with convenient spiral-tech depth adjustment
- Compatible with existing mounting plates
- With closing mechanism (spring)
- Tool-free door to cabinet assembly and removal
- 3-dimensional adjustment (with relevant mounting plate)
- With **INSERTA** tool-free boss assembly

### Application

	-50°	-45°	-40°
	-	-	-
	-	-	-
	-	-	-
	N° 26	N° 27	N° 28
	53	53	53
	-	-	-

### Order specification

	Boss	Part No.
<b>INSERTA</b>		
Steel boss with spring		<b>79B3490</b>

	Boss	Part No.
<b>Screw-on</b>		
Steel boss with spring		<b>79B3450</b>

	Cover caps	
	Steel	Nickel plated
Plain		<b>70.1563</b>
Screen print	Blum	<b>70.1563.BL</b>

Accessories	
	<b>Chipboard screws for hinge boss fixing</b>
3.5 x 15 mm	<b>609.1500</b>
3.5 x 17 mm	<b>609.1700</b>

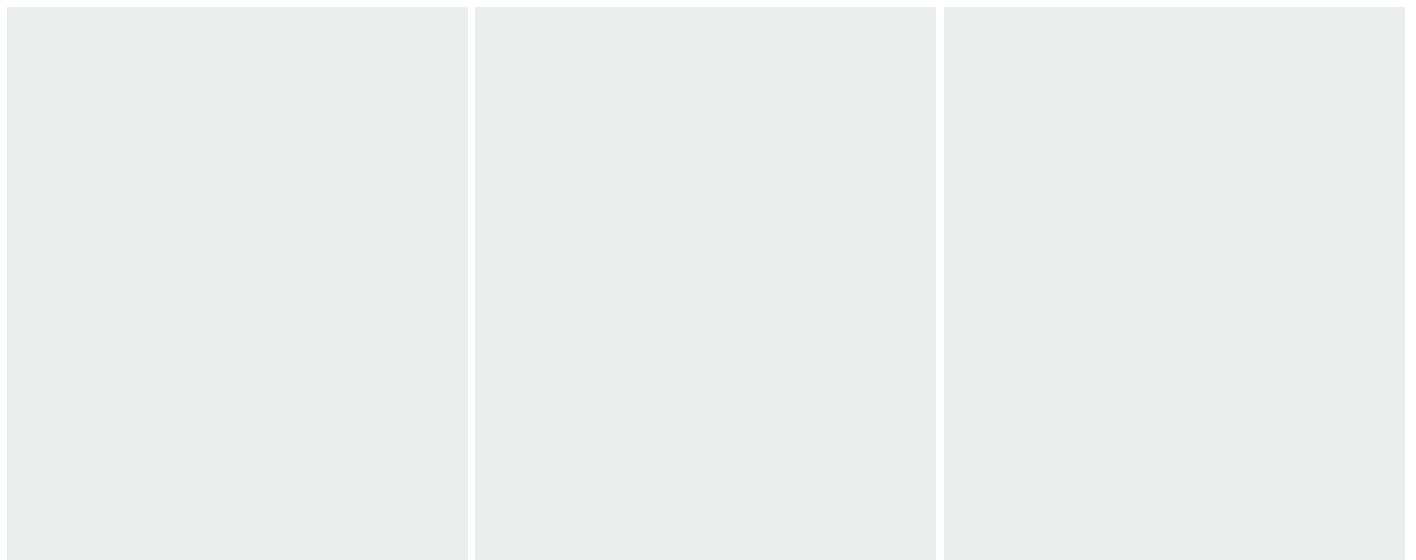
	Boss cover cap for screw-on boss	
	Steel	Nickel plated
		<b>70T3504</b>

### Planning

#### Important:

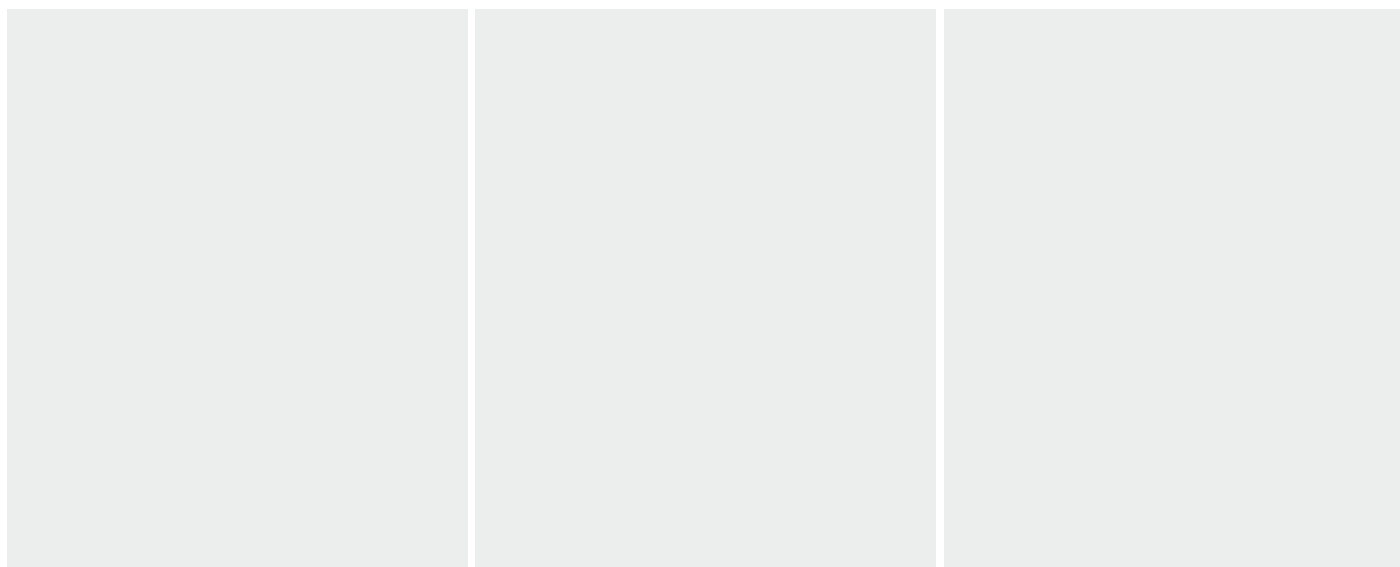
These dimensions are based on a 19 mm door and cabinet side thickness. Dimensions would need to be altered if either thickness varied from 19 mm.

A trial application is recommended. Some applications require the mounting plate to be moved from the standard fixing positions.

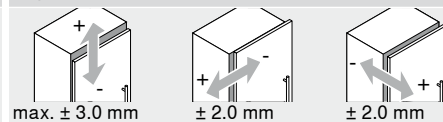


## Planning

N° 26 -50°		N° 27 -45°		N° 28 -40°	
	Part No.		Part No.		Part No.
Angled spacer	-5°	<b>171A5500</b>	Mounting plate	3 mm	<b>173H7130</b>
Mounting plate	0 mm	<b>173H7100</b>			
Angled spacer	+5°	<b>171A5040</b>	Mounting plate	0 mm	<b>173H7100</b>
Mounting plate	0 mm	<b>173H7100</b>			

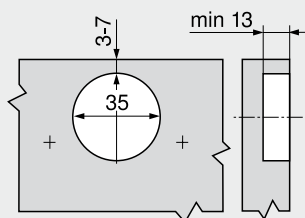


### Adjustments

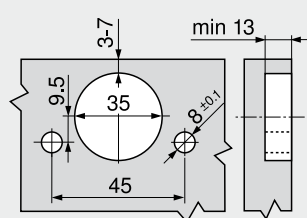


See mounting plates

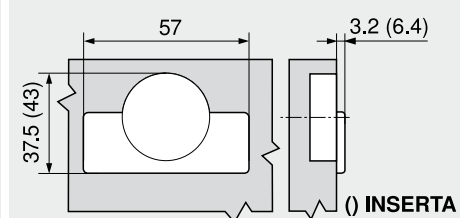
### Screw-on



### INSERTA assembly



### Hinge boss dimensions



( ) INSERTA

# CLIP top 110° hinge

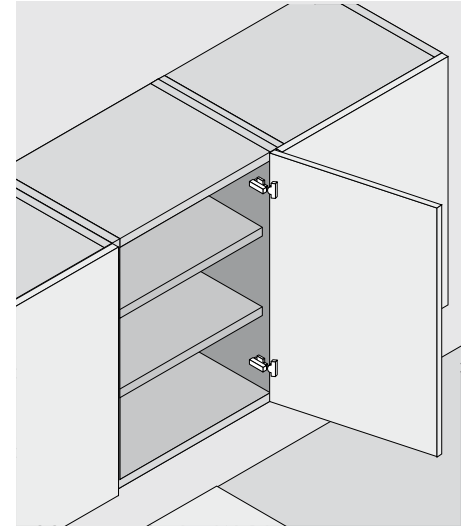
## Product



## Description

- All metal hinge, nickel plated
- 110° opening angle
- with convenient spiral-tech depth adjustment
- Compatible with existing mounting plates
- With or without closing mechanism (spring)
- Tool-free door to cabinet assembly and removal
- 3-dimensional adjustment (with relevant mounting plate)
- With **INSERTA** tool-free boss assembly

## Application



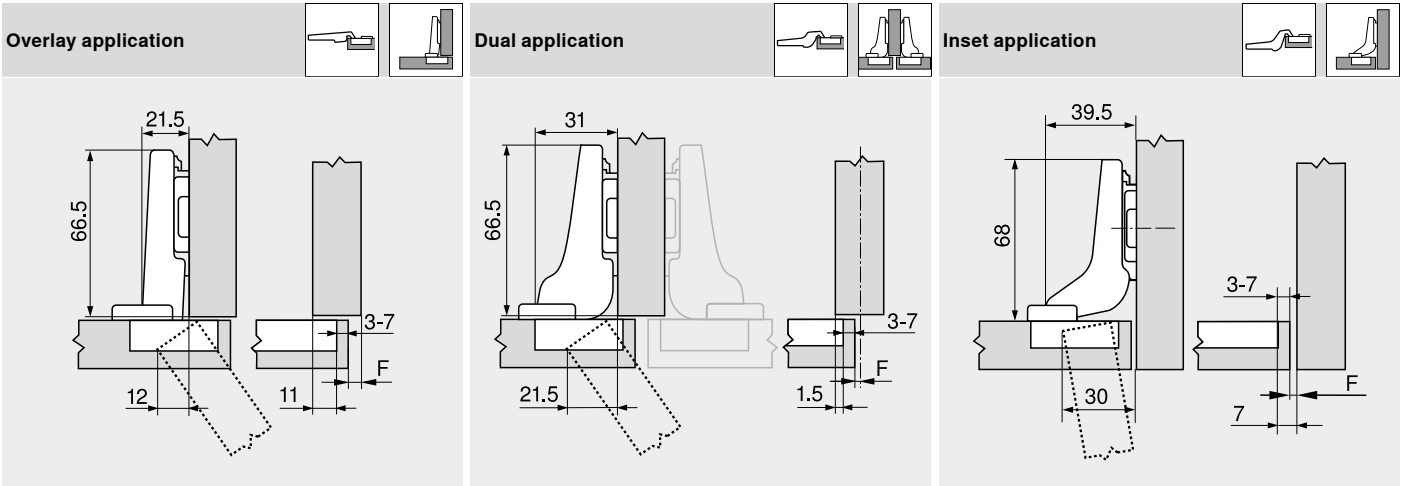
## Order specification

<b>Overlay application</b>				<b>Dual application</b>				<b>Inset application</b>			
	Boss <b>INSERTA</b>		Part No.		Boss <b>INSERTA</b>		Part No.		Boss <b>INSERTA</b>		Part No.
	Steel boss with spring		<b>71T3590</b>		Steel boss with spring		<b>71T3690</b>		Steel boss with spring		<b>71T3790</b>
	Steel boss unsprung		<b>70T3590.TL</b>		Steel boss unsprung		<b>70T3690.TL</b>		Steel boss unsprung		<b>70T3790.TL</b>
	Boss <b>Screw-on</b>				Boss <b>Screw-on</b>				Boss <b>Screw-on</b>		
	Steel boss with spring		<b>71T3550</b>		Steel boss with spring		<b>71T3650</b>		Steel boss with spring		<b>71T3750</b>
	Steel boss unsprung		<b>70T3550.TL</b>		Steel boss unsprung		<b>70T3650.TL</b>		Steel boss unsprung		<b>70T3750.TL</b>
	Boss <b>Knock-in</b>		<b>MZM.0040</b>		Boss <b>Knock-in</b>		<b>MZM.0040</b>		Boss <b>Knock-in</b>		<b>MZM.0040</b>
	Steel boss with spring		<b>71T3580</b>		Steel boss with spring		<b>71T3680</b>		Steel boss with spring		<b>71T3780</b>
	<b>Cover caps</b>	Steel	Nickel plated		<b>Cover caps</b>	Steel	Nickel plated		<b>Cover caps</b>	Steel	Nickel plated
	Plain		<b>70.1503</b>		Plain		<b>70.1663</b>		Plain		<b>70.1663</b>
	Stamped	Blum	<b>70.1503.BP</b>		Screen print	Blum	<b>70.1663.BL</b>		Screen print	Blum	<b>70.1663.BL</b>
No cover cap is required when using BLUMOTION 973A0500.01.				No cover cap is required when using BLUMOTION 973A0600.				No cover cap is required when using BLUMOTION 973A0700.			
<b>Accessories</b>											
	<b>Chipboard screws for hinge boss fixing</b>				<b>Boss cover cap for screw-on/knock-in boss</b>				<b>Opening angle stop 86°</b>		
	3.5 x 15 mm		<b>609.1500</b>		Steel	Nickel plated	<b>70T3504</b>		Nylon		<b>70T3553</b>
	3.5 x 17 mm		<b>609.1700</b>								

# Planning

Hinge dimensions and gap calculation based on factory setting (mounting plate spacing = 0 mm)

Hinge and door protrusion at full opening angle



F Gap

Set mounting plate fixing position back by door thickness + 1.5 mm

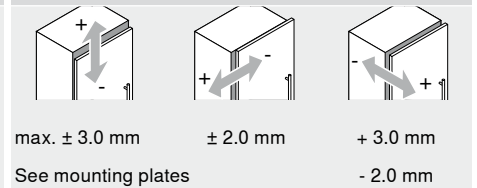
## Drilling distance

	Front overlay																												
	5	6	7	8	9	10	11	12	13	14	15	16	17	18	4.5	3.5	2.5	1.5	0.5	0.5	1.5	2.5	3.5	4.5	5.5	6.5	7.5	8.5	
0																													
3																													
6																													
9																													
	Mounting plate																												

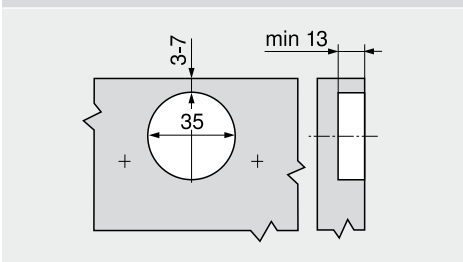
## Minimum gap for doors with radiused edges (R = 1 mm) based on factory setting

	Door thickness												
	16	18	19	20	21	22	23	24	25	26	28	30	32
3	0.5	0.8	1.0	1.2	1.5	1.8	2.2	2.7	3.5	4.3	A trial application is recommended		
4	0.5	0.8	1.0	1.2	1.4	1.7	2.0	2.5	3.1	3.8			
5	0.5	0.8	0.9	1.2	1.4	1.7	2.0	2.4	2.9	3.4			
6	0.5	0.8	0.9	1.2	1.3	1.6	1.9	2.3	2.7	3.2			
7	0.5	0.8	0.9	1.1	1.3	1.6	1.9	2.2	2.6	3.0			
Additional for + 2 mm side adjustment													
	+0.2	+0.4	+0.4	+0.5	+0.5	+0.5	+0.5	+0.5	+0.5	+0.5			

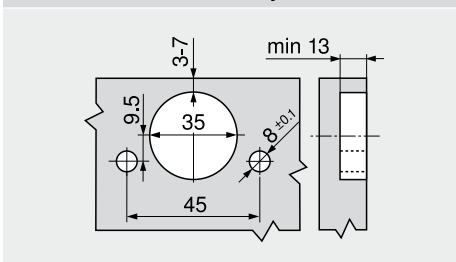
## Adjustments



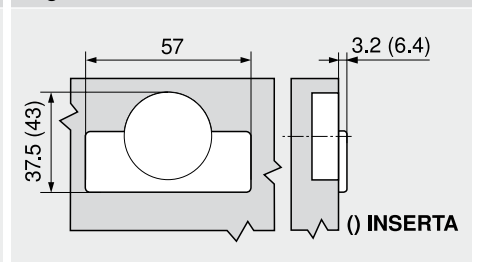
## Screw-on



## INSERTA / knock-in assembly



## Hinge boss dimensions





# CLIP top 110° special hinge

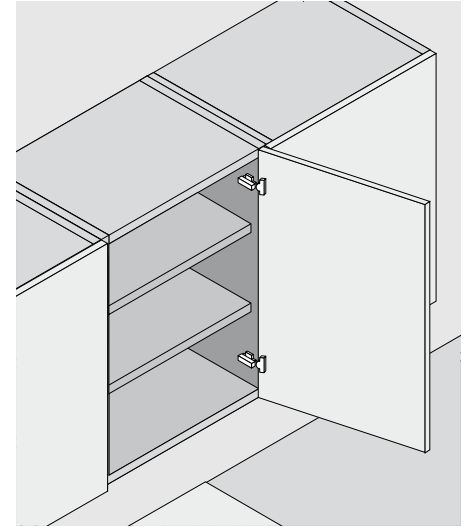
## Product



## Description

- All metal hinge, nickel plated
- Hinge with large overlay for thick cabinet sides
- 110° opening angle
- with convenient spiral-tech depth adjustment
- Compatible with existing mounting plates
- With or without closing mechanism (spring)
- Tool-free door to cabinet assembly and removal
- 3-dimensional adjustment (with relevant mounting plate)
- With **INSERTA** tool-free boss assembly

## Application



## Order specification

Overlay application			
	Boss <b>INSERTA</b>		Part No.
	Steel boss with spring		<b>73T3590</b>
	Steel boss unsprung		<b>72T3590.TL</b>

	Boss <b>Screw-on</b>		
	Steel boss with spring		<b>73T3550</b>
	Steel boss unsprung		<b>72T3550.TL</b>

	Boss <b>Knock-in</b>		<b>MZM.0040</b>
	Steel boss with spring		<b>73T3580</b>

Cover caps	
Steel	Nickel plated
Plain	<b>70.1503</b>
Stamped	Blum <b>70.1503.BP</b>

No cover cap is required when using BLUMOTION 973A0500.01.

## Accessories

Chipboard screws for hinge boss fixing	
3.5 x 15 mm	<b>609.1500</b>
3.5 x 17 mm	<b>609.1700</b>

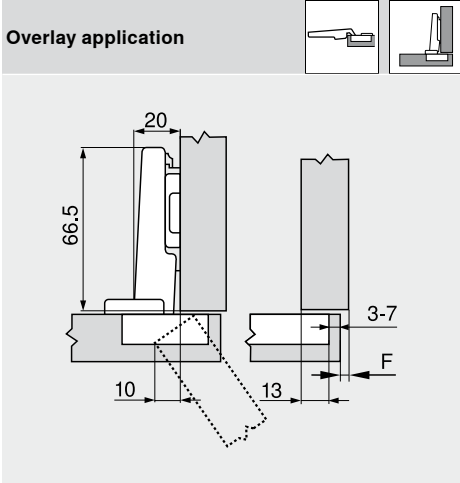
Boss cover cap for screw-on/knock-in boss	
Steel	Nickel plated <b>70T3504</b>

Opening angle stop 86°	
Nylon	<b>70T3553</b>

# Planning

Hinge dimensions and gap calculation based on factory setting (mounting plate spacing = 0 mm)

Hinge and door protrusion at full opening angle



F Gap

## Drilling distance

	Front overlay													
	7	8	9	10	11	12	13	14	15	16	17	18	19	20
0										3	4	5	6	7
3							3	4	5	6	7			
6				3	4	5	6	7						
9	3	4	5	6	7									

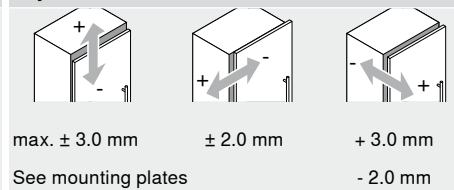
↑ Mounting plate

## Minimum gap for doors with radiused edges (R = 1 mm) based on factory setting

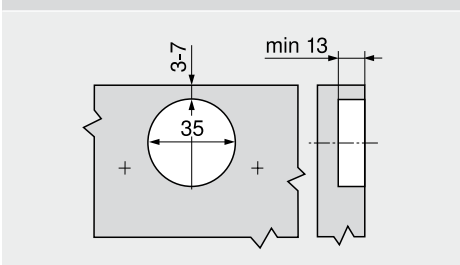
	Door thickness												
	16	18	19	20	21	22	23	24	25	26	28	30	32
3	0.5	0.8	1.0	1.2	1.5	1.8	2.2	2.7	3.5	4.3			
4	0.5	0.8	1.0	1.2	1.4	1.7	2.0	2.5	3.1	3.8			
5	0.5	0.8	0.9	1.2	1.4	1.7	2.0	2.4	2.9	3.4			
6	0.5	0.8	0.9	1.2	1.3	1.6	1.9	2.3	2.7	3.2			
7	0.5	0.8	0.9	1.1	1.3	1.6	1.9	2.2	2.6	3.0			
Additional for + 2 mm side adjustment													
	+0.2	+0.4	+0.4	+0.5	+0.5	+0.5	+0.5	+0.5	+0.5	+0.5	+0.5	+0.5	+0.5

A trial application is recommended

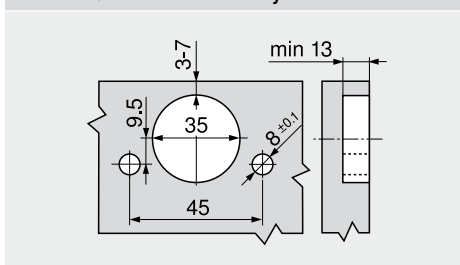
## Adjustments



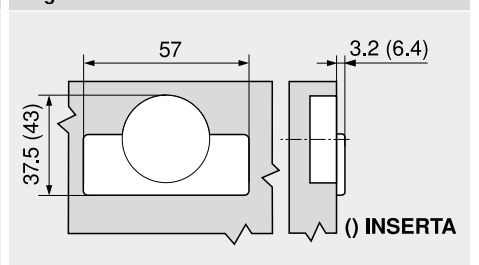
## Screw-on



## INSERTA / knock-in assembly

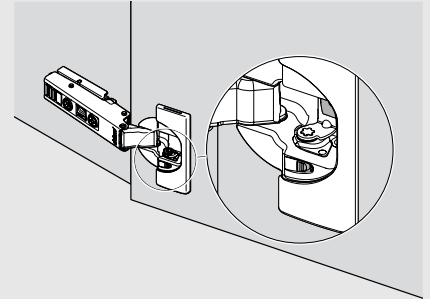
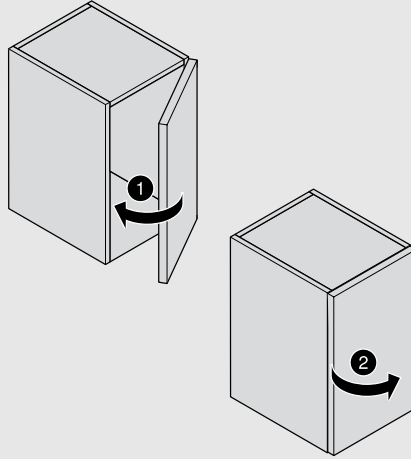
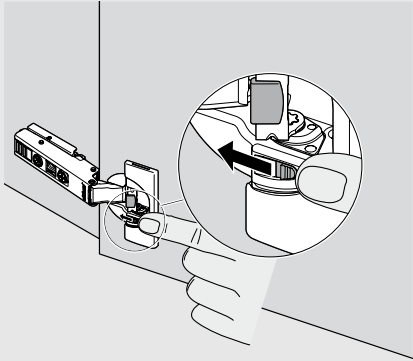


## Hinge boss dimensions

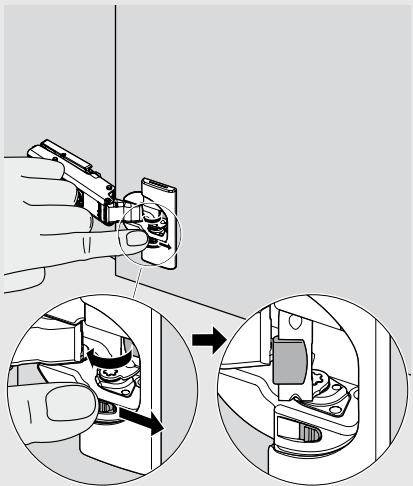


# Assembly and adjustment

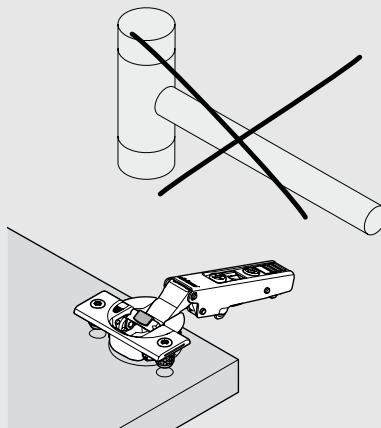
## BLUMOTION deactivation (for small or light fronts)



## BLUMOTION activation

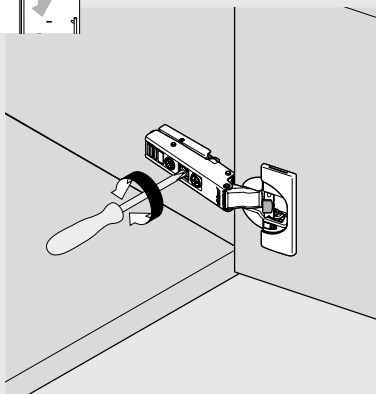
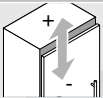


## Note

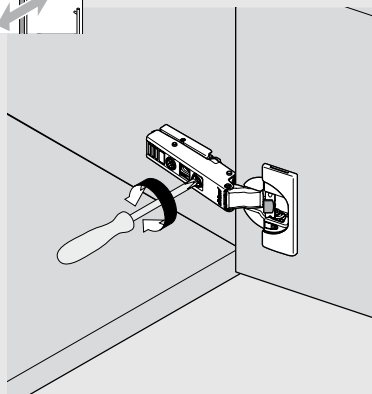
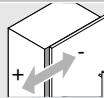


Do not use a hammer to insert the hinge into the drill hole.

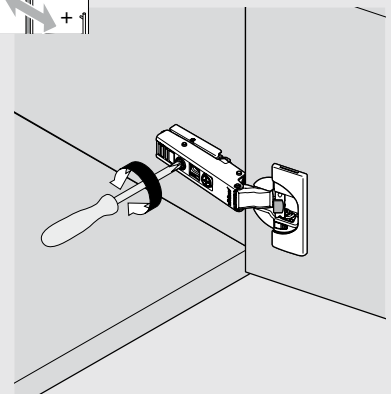
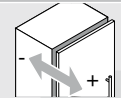
## 3-dimensional adjustment



Height adjustment via mounting plate

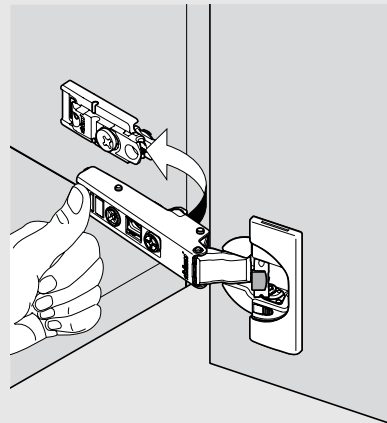
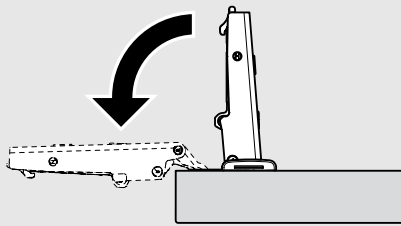
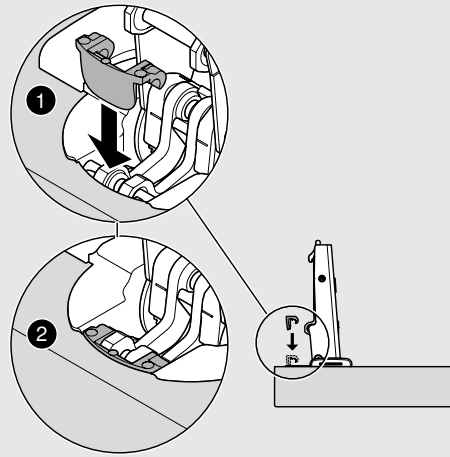
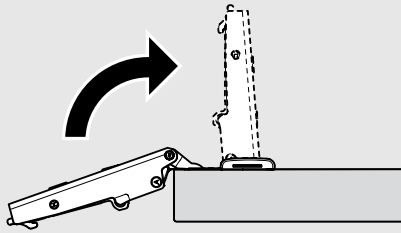


Side adjustment

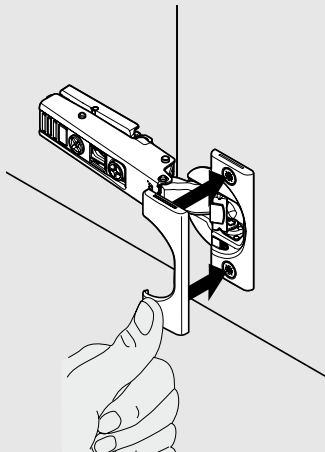


Depth adjustment

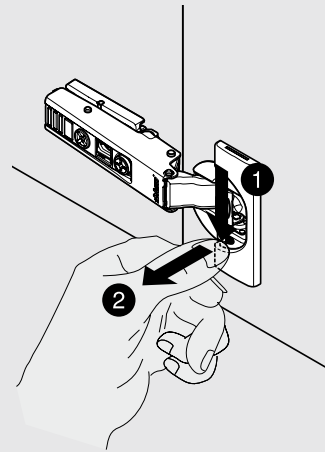
### Opening angle stop assembly



### Boss cover cap assembly



### Boss cover cap removal





**blum**  
↑





# Perfecting motion

## Our understanding of perfect motion

Blum turns the opening and closing of furniture into an experience that significantly increases the comfort of motion in the kitchen. Several thousand employees are continually working worldwide implementing our concept of the perfect motion possible. Within this process, we place the needs of the kitchen user as the focus of our actions. We are only satisfied when the kitchen user is satisfied. All of our partners who participate in the furniture making process profit from this focus.

For over 50 years, quality has been the highest principle for the development and manufacture of our products. Our fittings systems shout "high quality" with their well-thought-out function, recognised design and high durability. They are designed to inspire and trigger fascination for perfect motion. We also set the bar very high for the services we offer. They must provide the best possible support to our partners.

So that we can target our efforts at all levels, we are in a constant dialogue with kitchen users and regularly exchange information with furniture manufacturers, carpenters and distributors.



# Blum Fittings

For the lifetime of your kitchen

Blum South East Asia Pte. Ltd.  
150 Ubi Avenue 4  
#02-01 Ubi Biz-Hub  
Singapore 408825  
Tel.: (65) 6547 1760  
Fax: (65) 6547 1761  
Email: [info.sg@blum.com](mailto:info.sg@blum.com)  
[connect.blum.com](http://connect.blum.com)

