



## Cleaning and maintenance manual





# Moving solutions for furniture

As a manufacturer of “high quality” hardware, Blum turns the opening and closing of furniture into an experience that significantly increases the comfort of motion in all areas of the house, especially the kitchen.

This manual provides you with the correct information on the basic procedures of cleaning, installing, removing and adjusting Blum fittings. To guarantee a reliable product performance, Blum hardware needs to be installed correctly – preferably by a Blum certified carpenter.

## Contents

- 4 Cleaning instructions
- 6 CLIP top hinges - CLIP removal & re-assembly
- 7 BLUMOTION - removal, re-assembly
- 8 TANDEMBOX pull-out system - removal & re-assembly
- 11 TANDEM runner - Drawer removal & insertion
- 12 General information

Note: As your Blum fittings manufacturer, we are delighted to be always of service to you. Please keep this manual for your cleaning reference. We also want to invite you to come to our showroom with this manual so we can personally show you the appropriate way of preserving the quality of your Blum hardware and give you our Blum goodie bag.

# Cleaning instructions

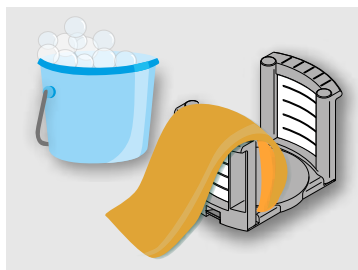
## Care instructions for Blum products

Blum products are maintenance-free. However, during assembly and usage of Blum products, it is inevitable that stains or other kinds of contamination will appear on the product or its surfaces. When cleaning, make sure to treat the protective areas and materials with care. Avoid applying abrasive chemicals as they will cause damage to the product. The instruction procedures below show how proper treatment should be performed in order to maintain the good condition of the purchased goods.



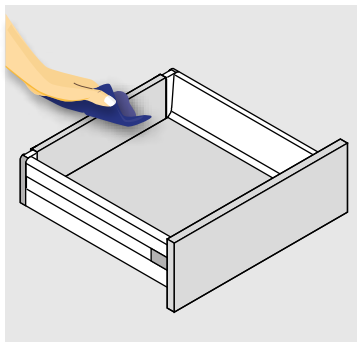
### Drawer sides and stainless steel ORGA-LINE

- Use only commercial cleaners for stainless steel (usually obtainable as spray). Read carefully the cleaning instructions located on the canister before applying.
- Rub with a soft, damp cloth. Dry cloth should be used for wet surfaces.
- Wipe small contaminations with solvent soap (mixed with water) and then mop away the small water drops with a dry cloth.
- ORGA-LINE: Dishwasher-proof using commercial dishwasher cleaner.



### Plastic-coated surfaces and plastic components

- Rub with a soft, damp cloth. Dry cloth should be used for wet surfaces.
- Wipe small contaminations with solvent soap (mixed with water) and then mop away the small water drops with a dry cloth.



### Nickel- or chrome-plated surfaces

- Rub with a soft, damp cloth. Dry cloth should be used for wet surfaces.



### Under the above-mentioned circumstances, the following should NOT be used:

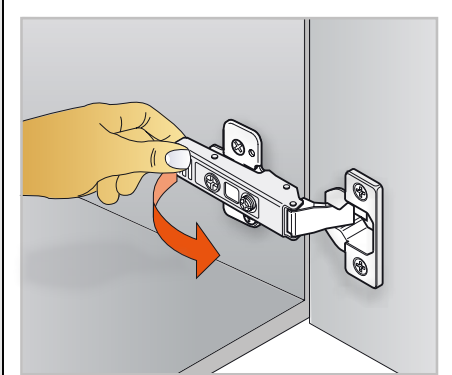
- Scrubbing household cleaners and accessories (bristly cloths, sponges, etc).
- Strong alkaline or strong acid substances.
- Chloral cleaners.
- Micro fibres might harm surfaces in the event of scrubbing.
- Acetone solvents, nitro thinners, Sal ammoniac or solvents whose nomenclature contains terms that begin with Tri/Tetra.

To clean the most intricate parts of Blum products such as TANDEMBOX pull-out systems and CLIP top hinges, dis-assembling its parts is well-recommended. The following pages will lead you to proper and easy methods of removing, re-assembling and adjusting elaborative parts of TANDEMBOX, CLIP/CLIP top, BLUMOTION for doors and TANDEM. Should you need assistance, you may call our hotline at +65 6547 1760 or visit our website at [connect.blum.com](http://connect.blum.com).

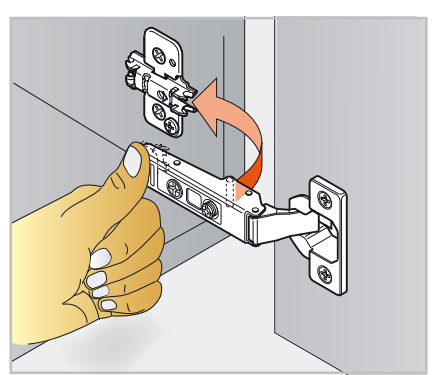
# CLIP top hinges



## CLIP

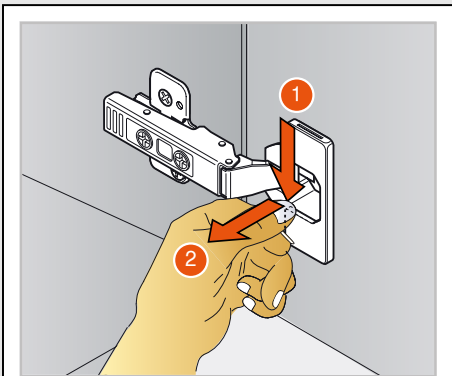


Removal

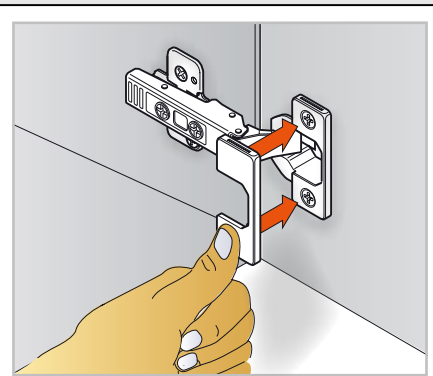


Re-assembly

## Hinge cover cap

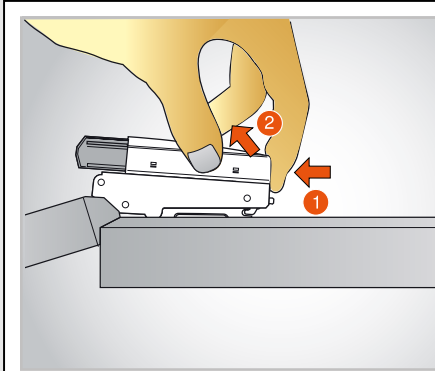


Removal

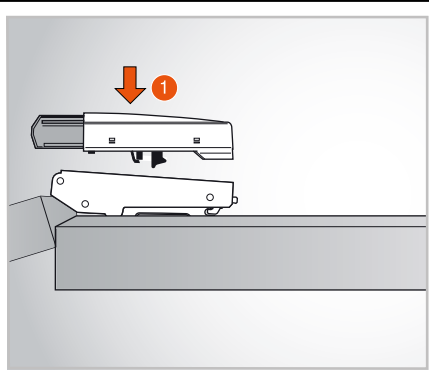


Re-assembly

## BLUMOTION 973A - clip on for standard applications



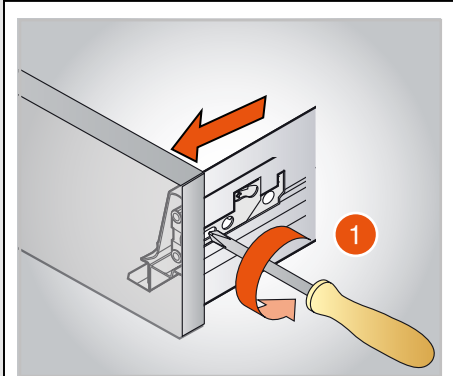
Removal



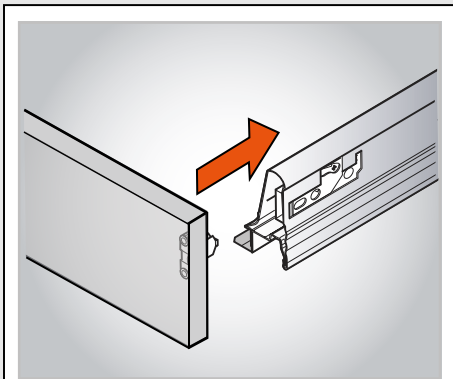
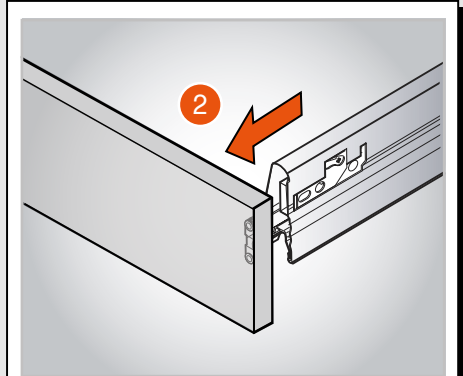
Re-assembly

# TANDEMBOX pull-out system

## TANDEMBOX side drawer



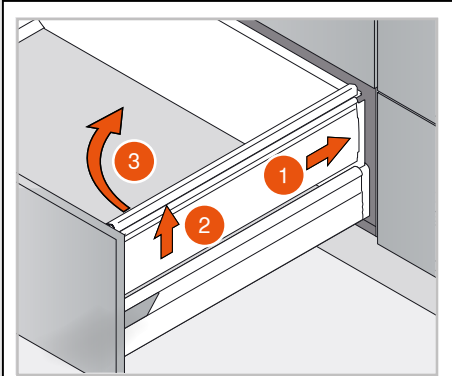
Removal



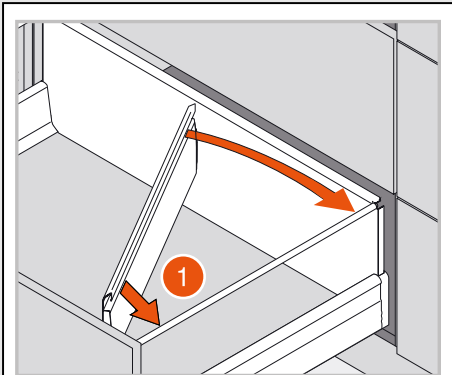
Re-assembly



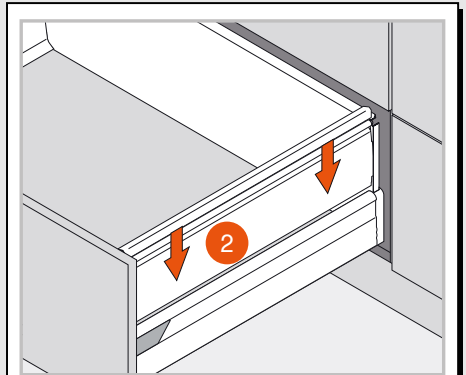
## Double walled BOXSIDE



Removal

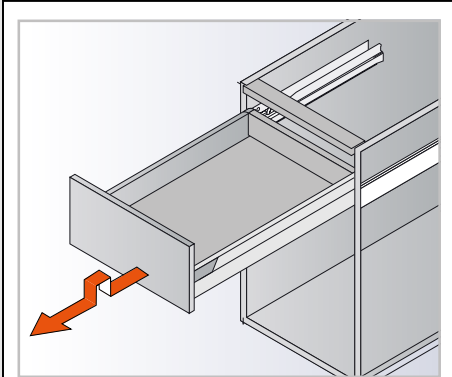


Re-assembly

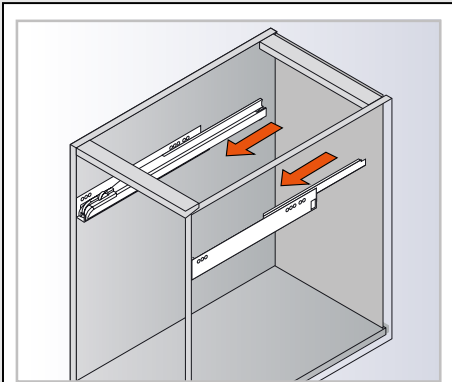


# TANDEMBOX pull-out system

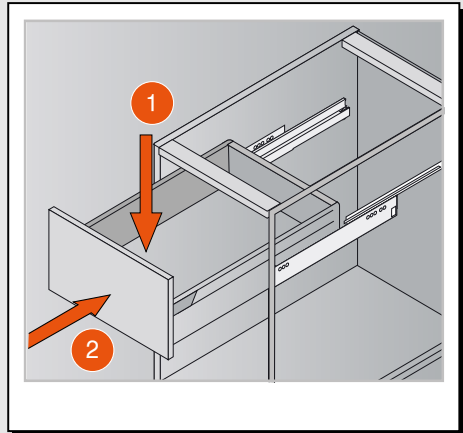
## Drawer removal and insertion



Removal



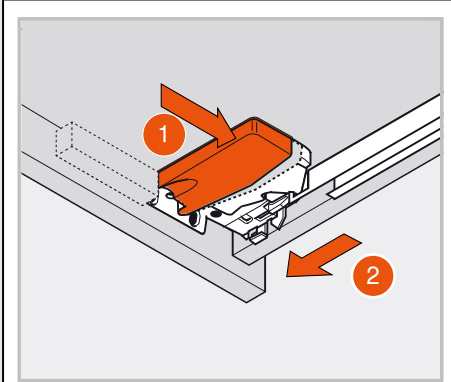
Insertion



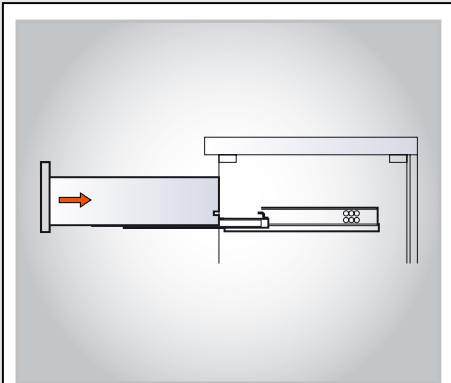
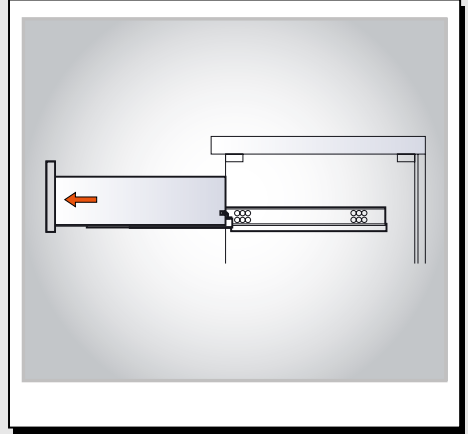
# TANDEM runner system



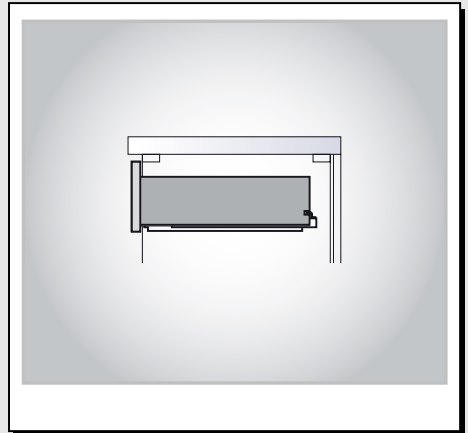
## TANDEM 560/566/550H



Drawer removal



Re-assembly



# General information



Austria/Lake Constance: The home of Blum and our 7 factories.



## Quality for the lifetime of the furniture

Our goal is to ensure that furniture buyers can enjoy the convenience and perfect function of our fittings for the lifetime of their furniture. To reach our objective, we are monitoring our products in real working environments as well as in testing labs. Test results are incorporated into the manufacture and development of our products. Over the course of time, this has allowed us to tailor new products to the requirements of the market.



## General assembly, application and user instructions

All Blum products undergo strict quality control procedures through all stages of production. All Blum fittings are designed for furniture and furniture components made from wood, chipboard or MDF. Keep this manual to serve as reference when cleaning Blum hardware. All Blum users must be aware of any relevant information given in this manual. For any additional information or advice, please contact your Blum representative.



# ORGA-LINE system gallery



**ORGA-LINE Cutlery**  
Cutlery storage that is organised and accessible.



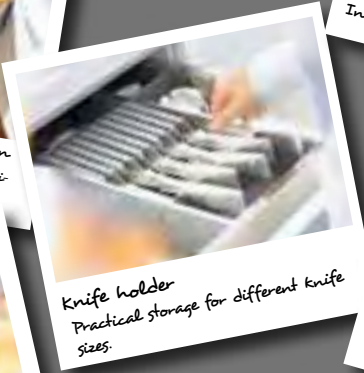
**ORGA-LINE Cleaning utensils**  
Everything required for dishwashing and cleaning.



**ORGA-LINE - bottles/cutting boards**  
Bottles and cutting boards are stored securely with ORGA-LINE system.



**ORGA-LINE spices & open provision**  
Adjustable lateral & cross dividers for provisions & spices!



**Knife holder**  
Practical storage for different knife sizes.



**Spice holder**  
Innovative solution for storing spices.



**Plate holder**  
Ergonomic solution for storing crockery.



**ORGA-LINE Foil cutter**  
Simple & tangle-free!



**ORGA-LINE Film cutter**  
Blum film cutter for tangle-free dispensing and efficient cut.



**Cleaning**  
Removable containers allow easy cleaning.



# Blum Fittings

## Quality for a furniture lifetime



**KITCH**

Marketed by:

**Kitch (M) Sdn Bhd (566346-V)**  
85, Jln Klang Lama, Batu 3, K.L.  
Tel: 03 7982 8233

Penang Showroom:

170, Jalan Kelawai. 10250 Penang  
Tel: 04 226 3232 Fax: 04 226 3636

Kuala Lumpur Showroom:

G16 & G17, Bangunan Perdagangan d7  
No : 800, Jalan Sentul  
51000 Kuala Lumpur  
Tel : 018-599 8233  
Email: [info@kitch.com.my](mailto:info@kitch.com.my)  
[www.kitch.com.my](http://www.kitch.com.my)

