

# Memo

Perfecting motion 



## SERVO-DRIVE uno for top mount waste bin solutions

Even top mount waste bin solutions can be made compatible with SERVO-DRIVE uno, the electrical opening support system from Blum. Waste bin pull-outs are so fascinatingly easy to open in combination with a special back – a light touch is all that's required! And thanks to the convenient waste bins from Hailo, keeping everything in the pull-out organised is child's play.



The waste bin system from Hailo Zargen-Cargo, the waste separation system from Hailo, is customised to cabinet widths of 450, 500 and 600 mm. Collection bins of various sizes fit exactly into the frame which can be inserted into the drawer side quickly and easily without the need for tools.

For more information about Hailo waste separate systems: [www.hailo.com](http://www.hailo.com)

**i** The ideal addition to the waste bin pull-out



The pre-mounted individual set can be installed quickly and easily.



Assembly is quick and easy in combination with a special steel back.

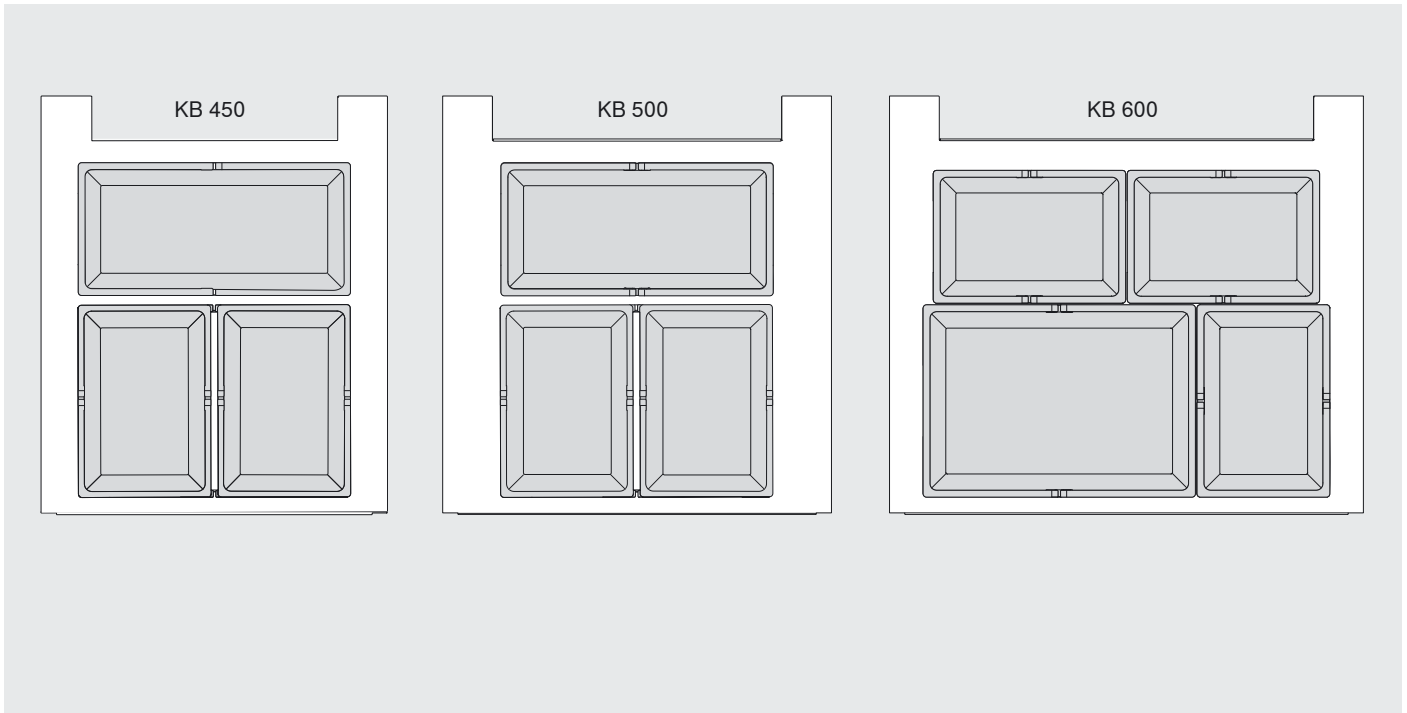


Together with the waste separation system from our partner Hailo, SERVO-DRIVE uno for top mount waste bin becomes an exciting solution!

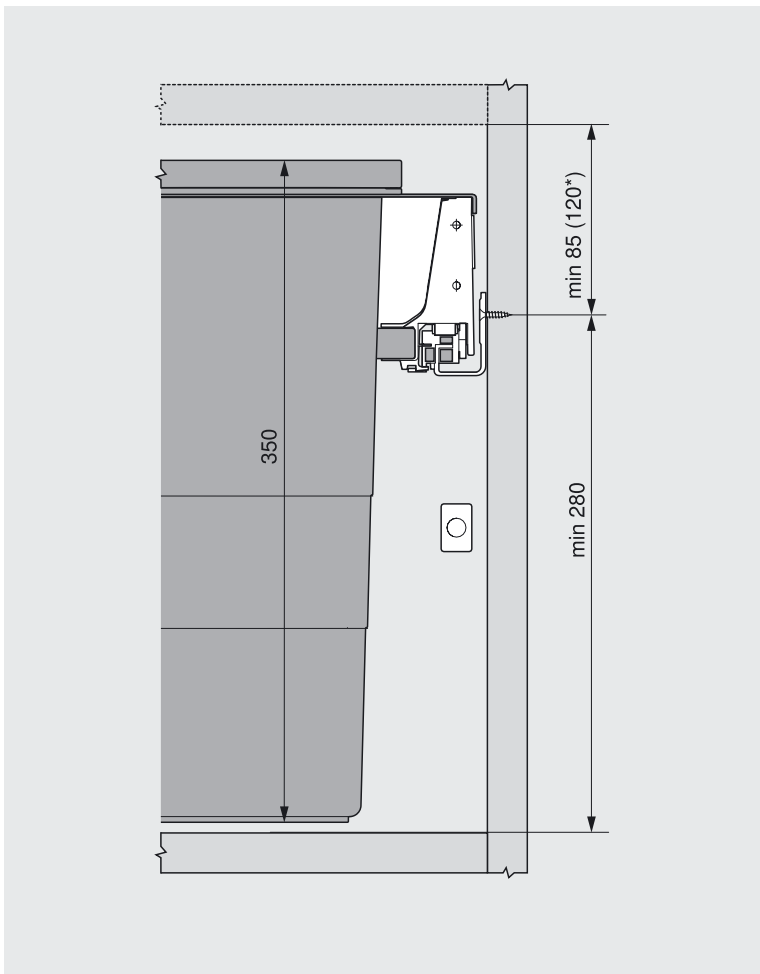
**i** Note

Hailo waste bins are not included in the Blum scope of delivery.

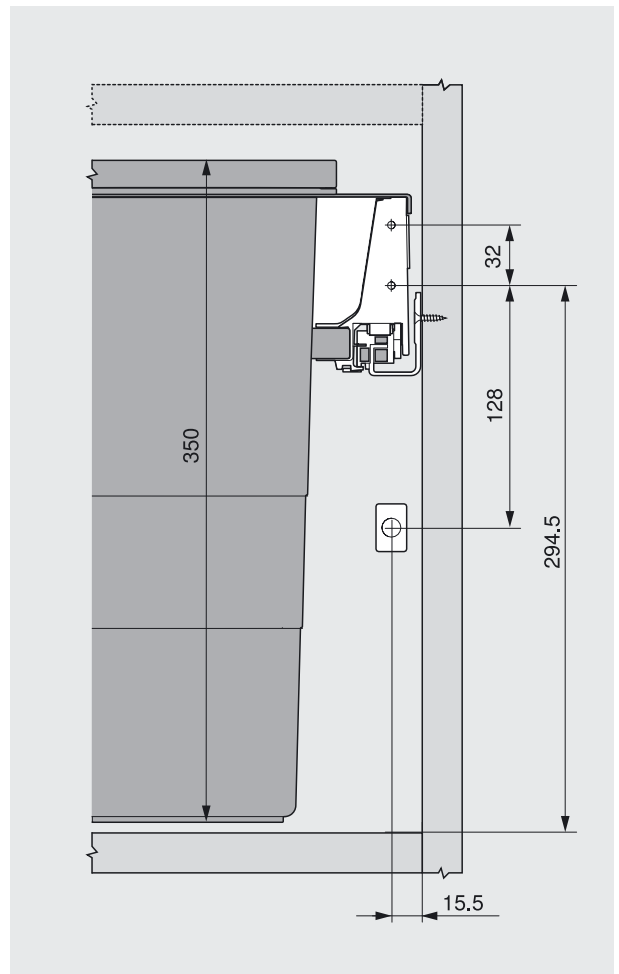
Combination of waste bins per cabinet width



Space requirements in cabinet





Front dimensions



\* With cover plate

## Hailo "Zargen-Cargo" for the Blum top mount waste bin pull-out

	Nominal length NL	Cabinet width KB	Colour	Packing unit	Minimum order quantity	Hailo part No.
	NL 500	KB 450 for KSD <sup>1)</sup> 15/16	White/Alu grey	1	15	3680-46
	NL 500	KB 450 for KSD <sup>1)</sup> 18/19	White/Alu grey	1	15	3681-46
<b>Composed of:</b> 1 x Bin attachment, metal 1 x System cover, metal 1 x Stabilisation frame 1 x Fixing material 2 x Interior bin 10 l 1 x Cover for interior bin 10 l 1 x Interior bin 14 l						

	Nominal length NL	Cabinet width KB	Colour	Packing unit	Minimum order quantity	Hailo part No.
	NL 500	KB 500 for KSD <sup>1)</sup> 15/16	White/Alu grey	1	15	3680-51
	NL 500	KB 500 for KSD <sup>1)</sup> 18/19	White/Alu grey	1	15	3681-51
<b>Composed of:</b> 1 x Bin attachment, metal 1 x System cover, metal 1 x Stabilisation frame 1 x Fixing material 2 x Interior bin 10 l 1 x Cover for interior bin 10 l 1 x Interior bin 14 l						

	Nominal length NL	Cabinet width KB	Colour	Packing unit	Minimum order quantity	Hailo part No.
	NL 500	KB 600 for KSD <sup>1)</sup> 15/16	White/Alu grey	1	15	3680-60
	NL 500	KB 600 for KSD <sup>1)</sup> 18/19	White/Alu grey	1	15	3681-60
<b>Composed of:</b> 1 x Bin attachment, metal 1 x System cover, metal 1 x Stabilisation frame 1 x Fixing material 1 x Interior bin 20 l 3 x Interior bin 10 l 1 x Cover for interior bin 10 l						

<sup>1)</sup> KSD = Cabinet side panel thickness

