

SERVO-DRIVE uno

for top mount waste bin solutions

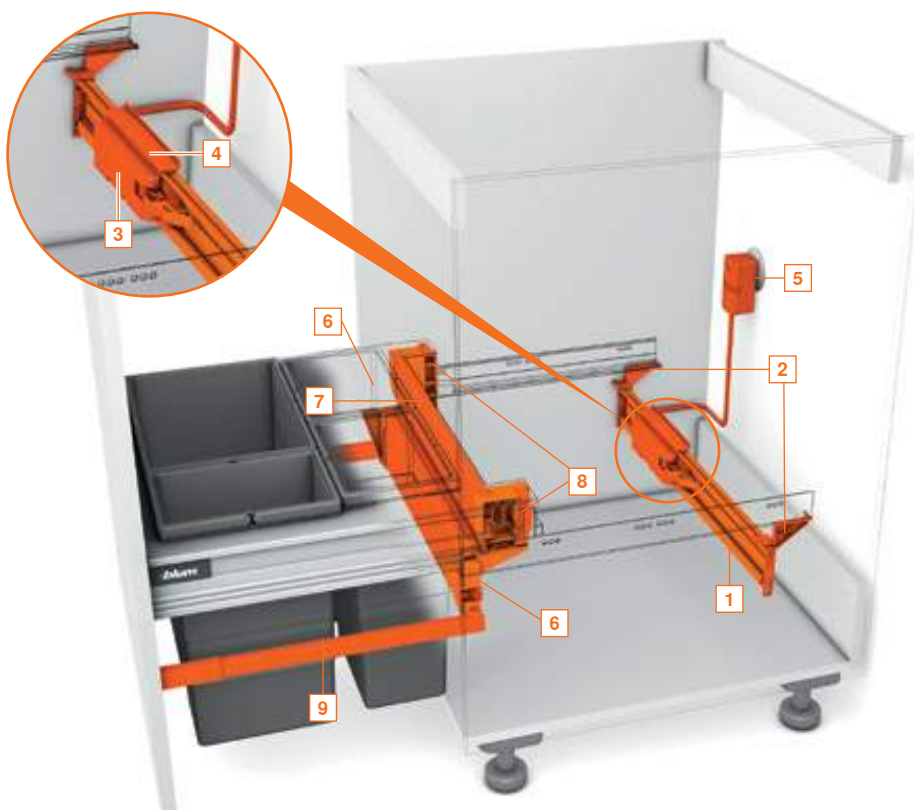
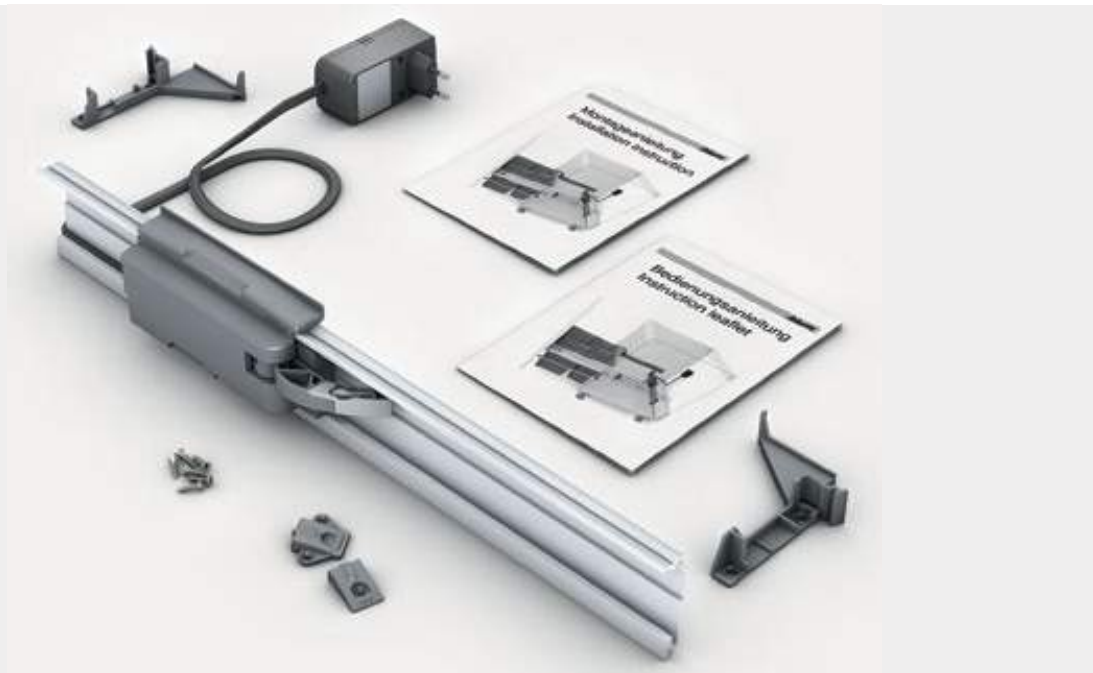
www.blum.com

 blum®

Memo

SERVO-DRIVE

by Blum



i

Content

- 1 Bracket profile horizontal
- 2 Bracket profile adapter
- 3 Drive unit
- 4 Protection against dripping water
- 5 Blum transformer incl. cable
- 6 Blum distance bumper
- 7 Steel back
- 8 Attachment right/left
- 9 Longside gallery rail right/left

The ideal addition to the waste bin pull-out

SERVO-DRIVE uno provides easy opening for top mount waste bin solutions. The pre-mounted individual set can be installed very quickly in combination with a special steel back.

SERVO-DRIVE uno



For top mount waste bin solutions

Easy assembly

SERVO-DRIVE uno can be installed quickly and easily.



1. Install Blum spacing bumpers



2. Position bracket profile attachment and screw on



3. Clip on pre-mounted SERVO-DRIVE unit



4. Install back and drawer sides



5. Connect to front



6. Gallery assembly



7. Clip on gallery



8. Insert and close pull-out



9. Connect SERVO-DRIVE uno to power outlet

SERVO-DRIVE set pre-mounted					
Network adapter (x)		Language package (y)			
				KB 450 mm	Z10T393Wxy1
				KB 500 mm	Z10T443Wxy1
				KB 550 mm	☎ Z10T493Wxy1
				KB 600 mm	Z10T543Wxyz
				KB 800 mm	☎ Z10T743Wxy1
				KB 900 mm	Z10T843Wxy1

KSD Cabinet side panel thickness

NL Nominal length

KB Cabinet width

Set for special back			
	Composed of:		
	1 x steel back height M*		KSD 15/16 mm KSD 18/19 mm
	1 x steel back for waste bin pull-out*	KB 450 mm	Z30M389S0W Z30M383S0W
	2 x attachments, left/right*	KB 500 mm	Z30M439S0W Z30M433S0W
	2 x longside gallery rails rectangular, left/right*	KB 550 mm	☎ Z30M489S0W ☎ Z30M483S0W
		KB 600 mm	Z30M539S0W Z30M533S0W
	KB 800 mm	☎ Z30M739S0W ☎ Z30M733S0W	
	KB 900 mm	Z30M839S0W Z30M833S0W	
* RAL 9006, grey (white aluminium)			