

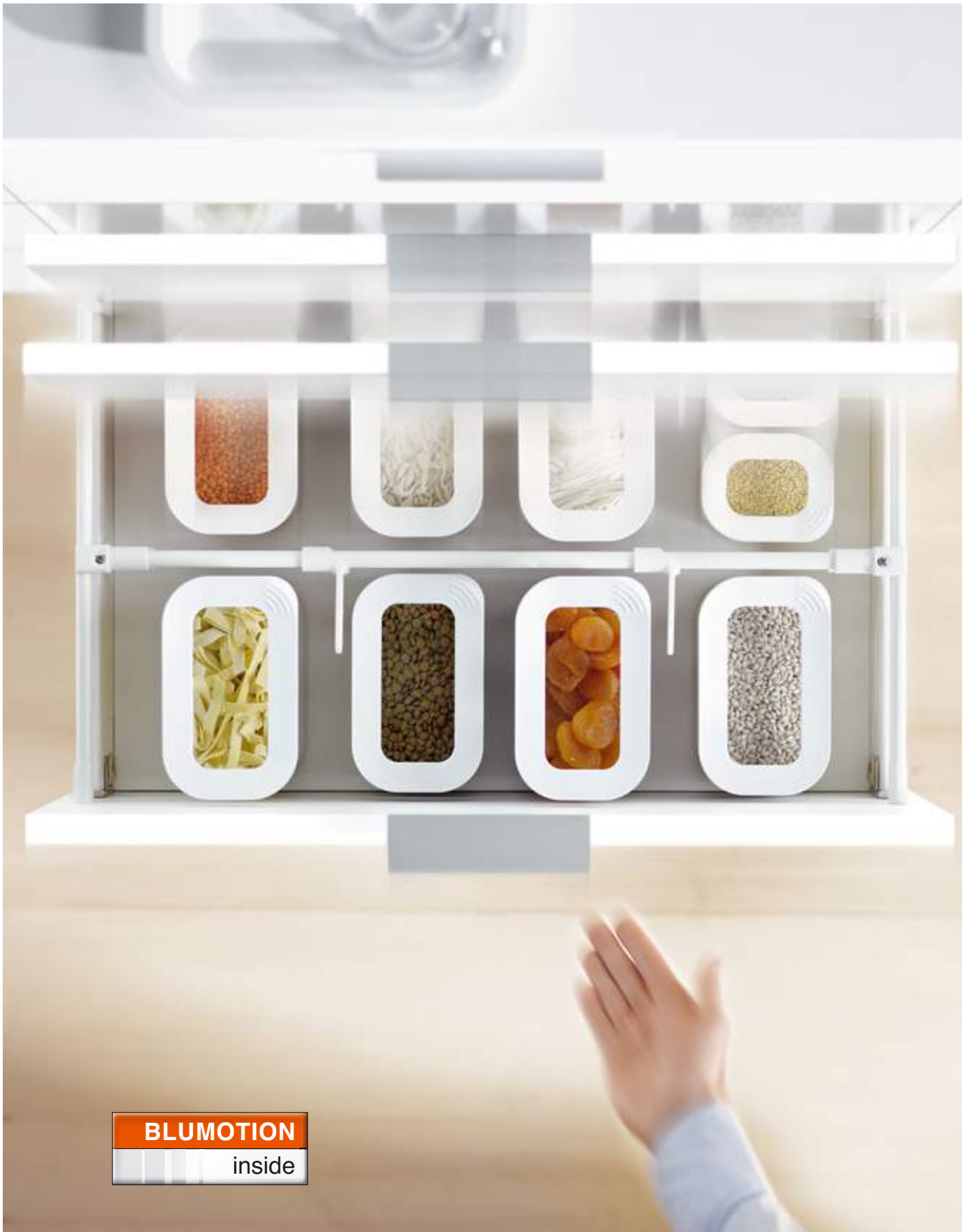


**BLUMOTION**  
inside

# BLUMOTION for METABOX

New: Silent and effortless closing for the METABOX programme

# BLUMOTION Soft Close



**BLUMOTION**  
inside

# BLUMOTION brings **silent** and **effortless** closing action to METABOX



Now you can also use the tried and tested BLUMOTION function with METABOX: Ensuring that drawers and pull-outs always close silently and effortlessly – independent of the closing force or the weight of storage items.

A new, and purpose built variation of BLUMOTION has been developed for single extension METABOX. With a maximum load capacity of 25KG, BLUMOTION has been perfectly engineered to give excellent dampening whilst minimising opening forces required.

Incredibly practical and economical: You only need one BLUMOTION unit up to a cabinet width of 900 mm.


# BLUMOTION assembly

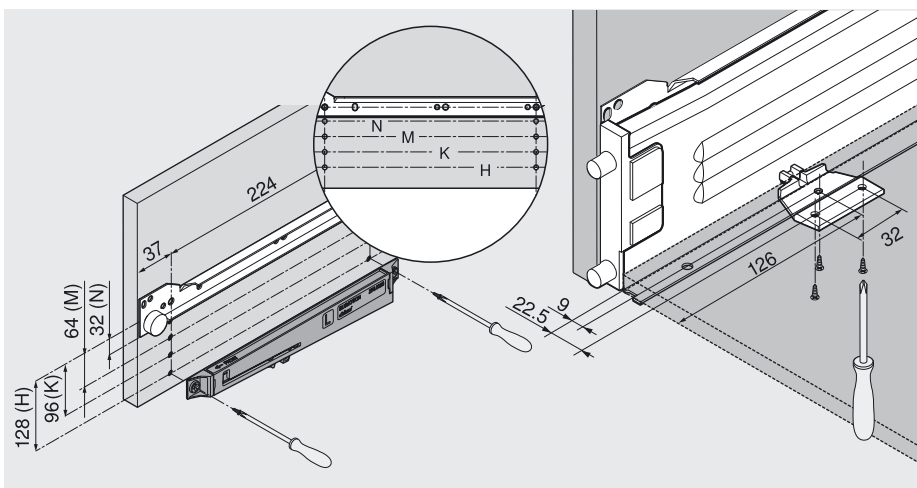


BLUMOTION assembly to the cabinet side

# One-sided assembly for full closing comfort

One BLUMOTION unit in the left cabinet side is enough for silent and effortless closing action. The BLUMOTION latch is attached under the drawer.

BLUMOTION		
	BLUMOTION with latch in white (W), recommended for drawer sides in white	Z70.0320
	BLUMOTION with latch in white grey (WGR), recommended for drawer sides in white aluminium	Z70.0320
	BLUMOTION with latch in white cream (CW), recommended for drawer sides in cream	Z70.0320
	The BLUMOTION housing is always white grey.	



System 32: BLUMOTION unit assembly uses a 32 drilling system.



Activating the BLUMOTION function: The latch on the base of the drawer.

## Everyday kitchen activities define our demand for quality



By opening and closing 100,000 times:  
This is how we monitor METABOX with  
BLUMOTION in our testing labs. This  
how we ensure the proven quality of our  
products.

For quality that will provide enjoyment for  
the lifetime of the furniture.



# Perfecting motion

## Our understanding of perfect motion

Blum turns the opening and closing of furniture into an experience that significantly increases the comfort of motion in the kitchen. Several thousand employees are continually working worldwide implementing our concept of perfect motion. Within this process, we place the needs of the kitchen user as the focus of our actions. We are only satisfied when the kitchen user is satisfied. All of our partners who participate in the furniture making process profit from this focus.

For over 50 years, quality has been the highest principle for the development and manufacture of our products. Our fittings systems shout "high quality" with their well-thought-out function, recognised design and high durability. They are designed to inspire and trigger fascination for perfect motion. We also set the bar very high for the services we offer. They must provide the best possible support to our partners. So that we can target our efforts at all levels, we are in a constant

dialogue with kitchen users and regularly exchange information with furniture manufacturers, joiners and distributors.





Julius Blum GmbH  
Furniture Fittings Mfg.  
6973 Höchst, Austria  
Tel.: +43 5578 705-0  
Fax: +43 5578 705-44  
E-mail: [info@blum.com](mailto:info@blum.com)  
[www.blum.com](http://www.blum.com)

 **blum**®

The Blum logo consists of a stylized white arrow pointing upwards and to the right, followed by the word 'blum' in a bold, lowercase, sans-serif font, and a registered trademark symbol (®) to the upper right.

Technische Änderungen und Programmänderungen vorbehalten.  
Alle Inhalte unterliegen dem Copyright von Blum. Printed in Austria.  
IDNR: 708.223.8 · EP-157/1 EN-AL/03.10-1 **LIGHTHOUSE.de**